



US00D881817S

(12) **United States Design Patent**  
**Anderson**

(10) **Patent No.:** **US D881,817 S**  
(45) **Date of Patent:** **\*\* Apr. 21, 2020**

(54) **WIRE CONNECTOR**  
(71) Applicant: **MERRILL MANUFACTURING COMPANY**, Storm Lake, IA (US)  
(72) Inventor: **Stephen J. Anderson**, Storm Lake, IA (US)  
(\*\*) Term: **15 Years**  
(21) Appl. No.: **29/682,383**  
(22) Filed: **Mar. 5, 2019**  
(51) **LOC (12) Cl.** ..... **13-03**  
(52) **U.S. Cl.**  
USPC ..... **D13/133**  
(58) **Field of Classification Search**  
USPC ..... D13/110, 118-120, 123, 133, 154, 158, D13/173, 184, 199  
CPC ... H01R 4/00; H01R 4/10; H01R 4/20; H01R 4/28; H01R 4/70; H01R 9/24; H01R 11/09; H01R 11/12; H01R 11/28; H01R 13/52; H02G 3/00; H02G 3/04; H02G 15/02; H01H 35/00; H01H 35/34; H01H 35/38  
See application file for complete search history.

7,445,527 B1 \* 11/2008 Carr ..... H01R 4/36  
439/814  
D623,140 S \* 9/2010 Quinn, Jr. .... D13/151  
9,985,362 B2 \* 5/2018 Arenburg ..... H01R 4/70  
D847,095 S \* 4/2019 Wan ..... D13/147  
2012/0322311 A1 \* 12/2012 Sugiyama ..... H01R 43/20  
439/625  
2015/0017843 A1 \* 1/2015 Seehoffer ..... H01R 4/30  
439/815  
2015/0048054 A1 \* 2/2015 Karkada ..... H01H 1/0233  
218/146  
2016/0126644 A1 \* 5/2016 Yamada ..... H01R 4/489  
439/816  
2016/0281703 A1 9/2016 Anderson  
(Continued)

(56) **References Cited**  
U.S. PATENT DOCUMENTS  
2,222,156 A \* 11/1940 Rowe ..... H01R 4/30  
439/812  
2,307,668 A \* 1/1943 Cox ..... H01H 1/02374  
252/514  
2,777,119 A \* 1/1957 Edmunds ..... H01R 4/363  
439/812  
2,792,560 A \* 5/1957 Bollmeier ..... H01R 4/62  
439/245  
D227,254 S \* 6/1973 Hoffman ..... D13/148  
D230,025 S \* 1/1974 Hoffman ..... D13/148  
4,196,960 A \* 4/1980 Gelfand ..... H01R 11/12  
439/874

**OTHER PUBLICATIONS**

Copper Mechanical Connector #4 Stranded to #14 Solid Wire, dated Nov. 9, 2014, [online], [site visited Jan. 30, 2020]. Available from Internet, URL: <https://www.homedepot.com/p/Copper-Mechanical-Connector-4-Stranded-to-14-Solid-Wire-2-Pack-L70-B2-5/100141680> (Year: 2014).\*

(Continued)

*Primary Examiner* — Angela J Lee  
*Assistant Examiner* — Shawn T Gingrich

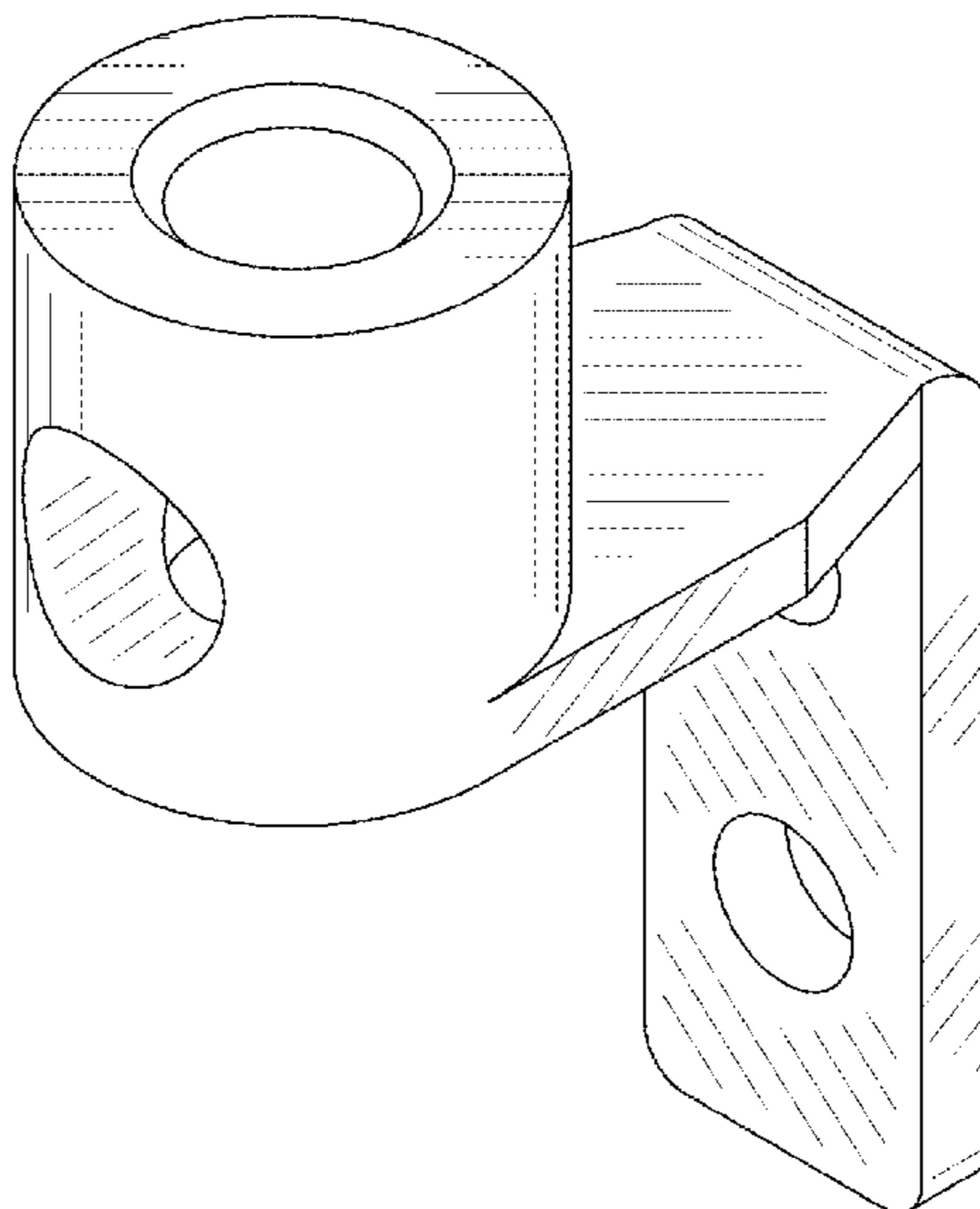
(57) **CLAIM**

The ornamental design for a wire connector, as shown and described.

**DESCRIPTION**

FIG. 1 is a perspective view of a wire connector showing my new design;  
FIG. 2 is a rear elevation view thereof;  
FIG. 3 is a front elevational view thereof;  
FIG. 4 is a top plan view thereof;  
FIG. 5 is a bottom plan view thereof;  
FIG. 6 is a right side elevational view thereof; and,  
FIG. 7 is a left side elevational view thereof.

**1 Claim, 7 Drawing Sheets**



(56)

**References Cited**

U.S. PATENT DOCUMENTS

2017/0237185 A1\* 8/2017 Tamura ..... H01R 4/34  
310/71

OTHER PUBLICATIONS

Copper Mechanical Wire Connector 3/0 Stranded to #4 Stranded, dated Feb. 10, 2016, [online], [site visited Jan. 30, 2020]. Available from Internet, URL: <https://www.homedepot.com/p/Copper-Mechanical-Wire-Connector-3-0-Stranded-to-4-Stranded-with-Single-Hole-Mount-10-Pieces-BTC3104-B2-5/202207058> (Year: 2016).\*

Pressure Switch Adjustment, dated Sep. 2, 2014, [online], [site visited Jan. 30, 2020]. Available from Internet, URL: <https://www.youtube.com/watch?v=5WNbxu9ufPs> (Year: 2014).\*

Michael O. Sturm Top view Sep. 29, 2016 photograph United States.

Michael O. Sturm Rear View Sep. 29, 2016 Photograph United States.

Michael O. Sturm Prior Right Side View Sep. 29, 2016 Photograph United States.

Michael O. Sturm Perspective View Sep. 29, 2016 Photogarph United States.

Michael O. Sturm Left Side Sep. 29, 2016 Photograph United States.

Michael O. Sturm Front View Sep. 29, 2016 Photograph United States.

\* cited by examiner

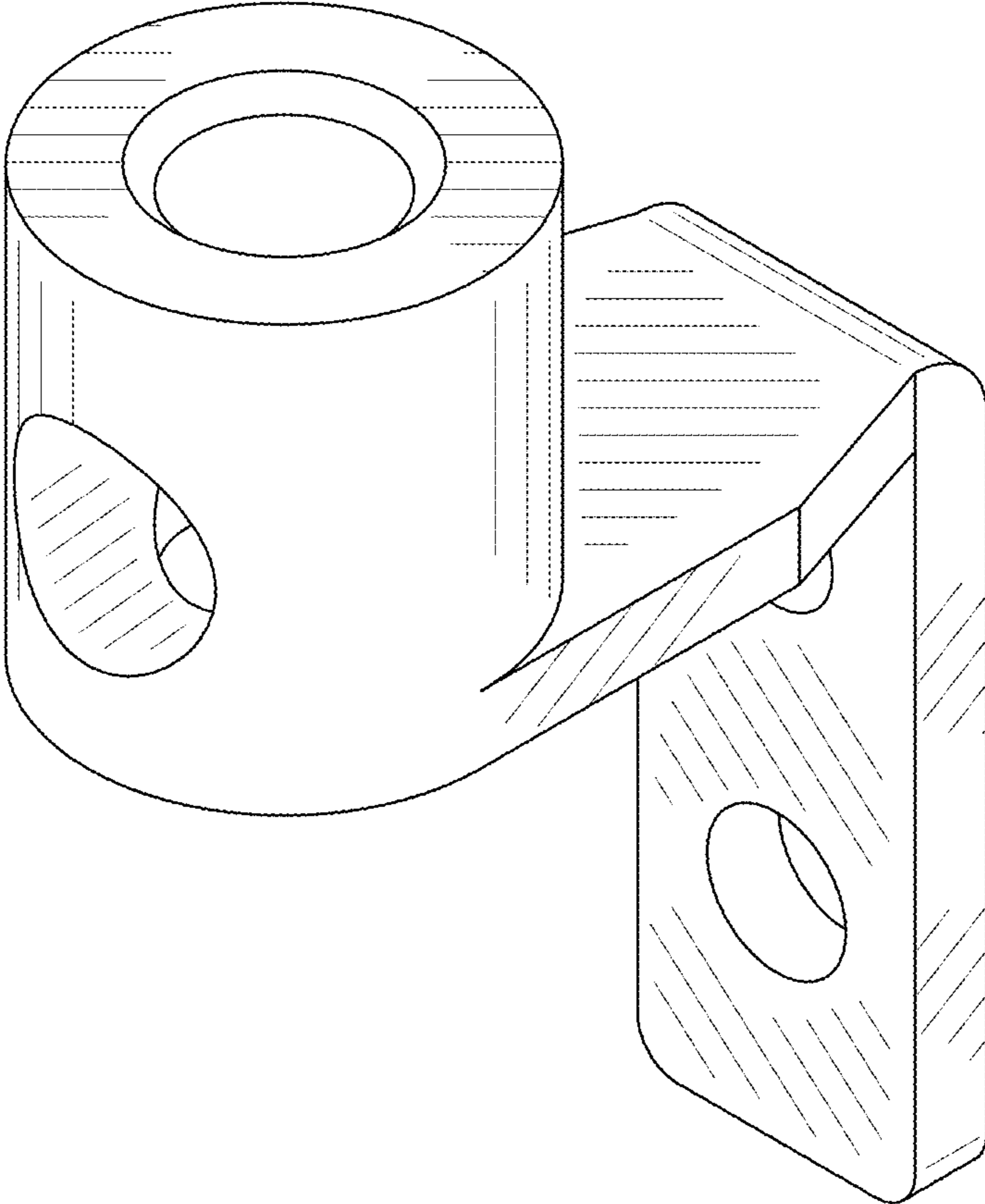


FIG. 1

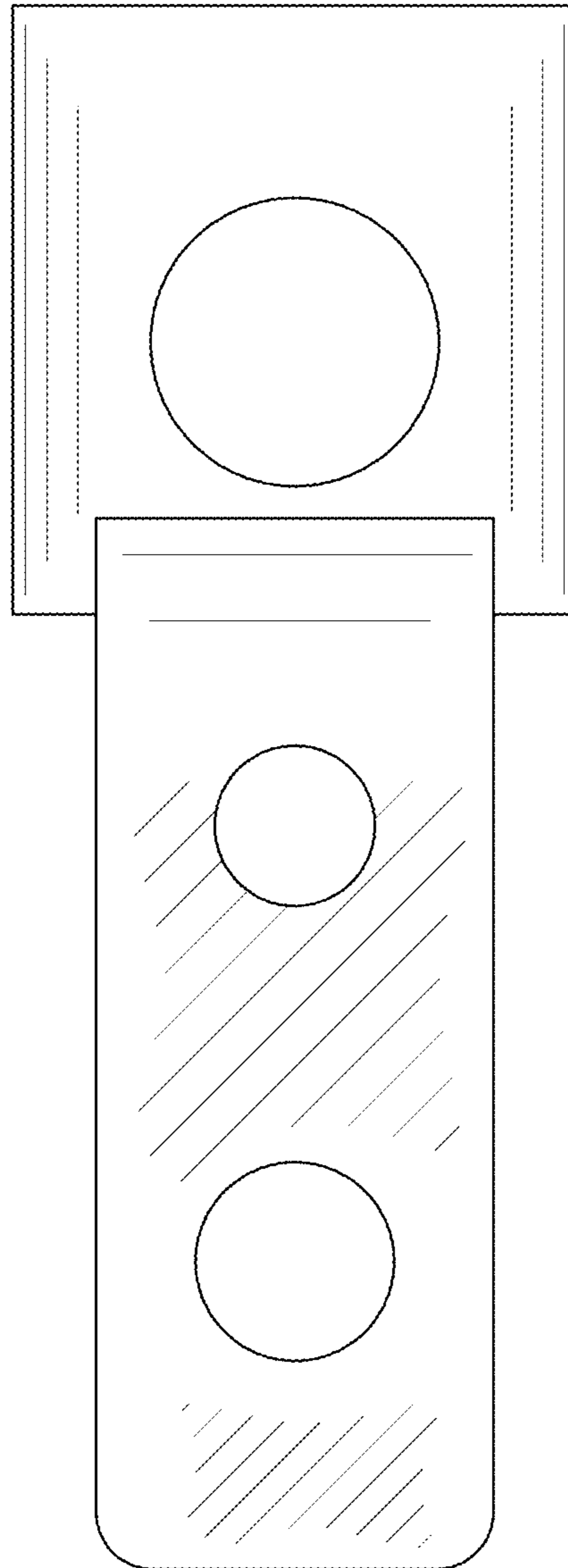


FIG. 2

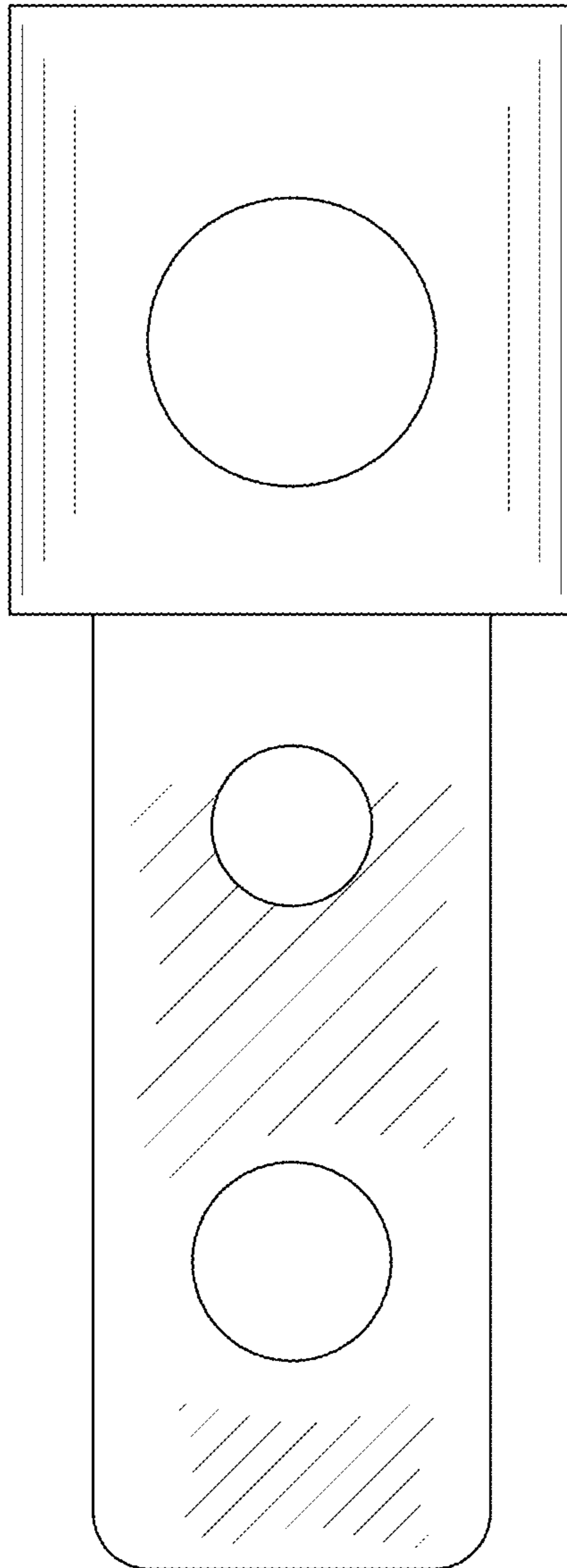


FIG. 3

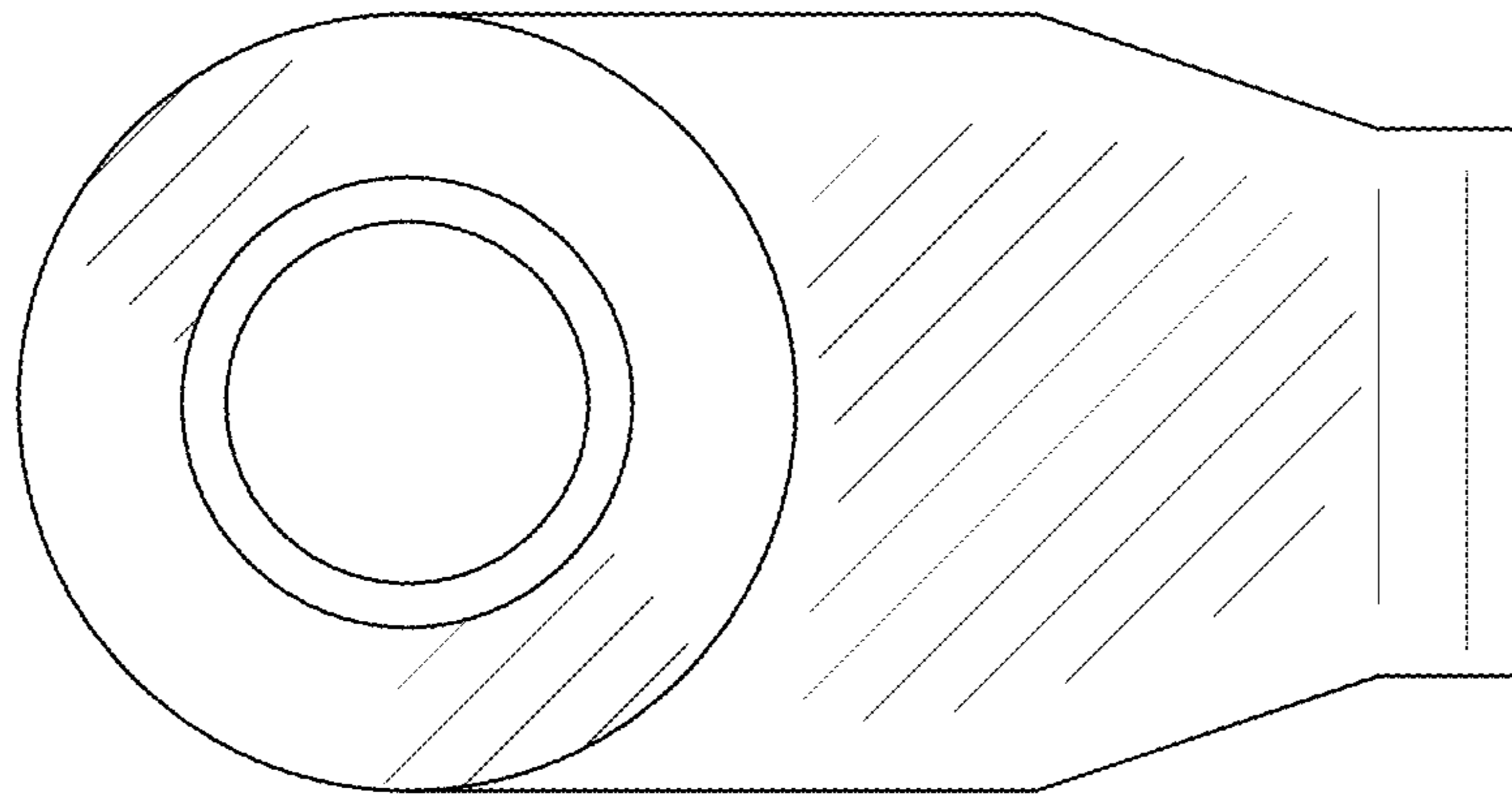


FIG. 4

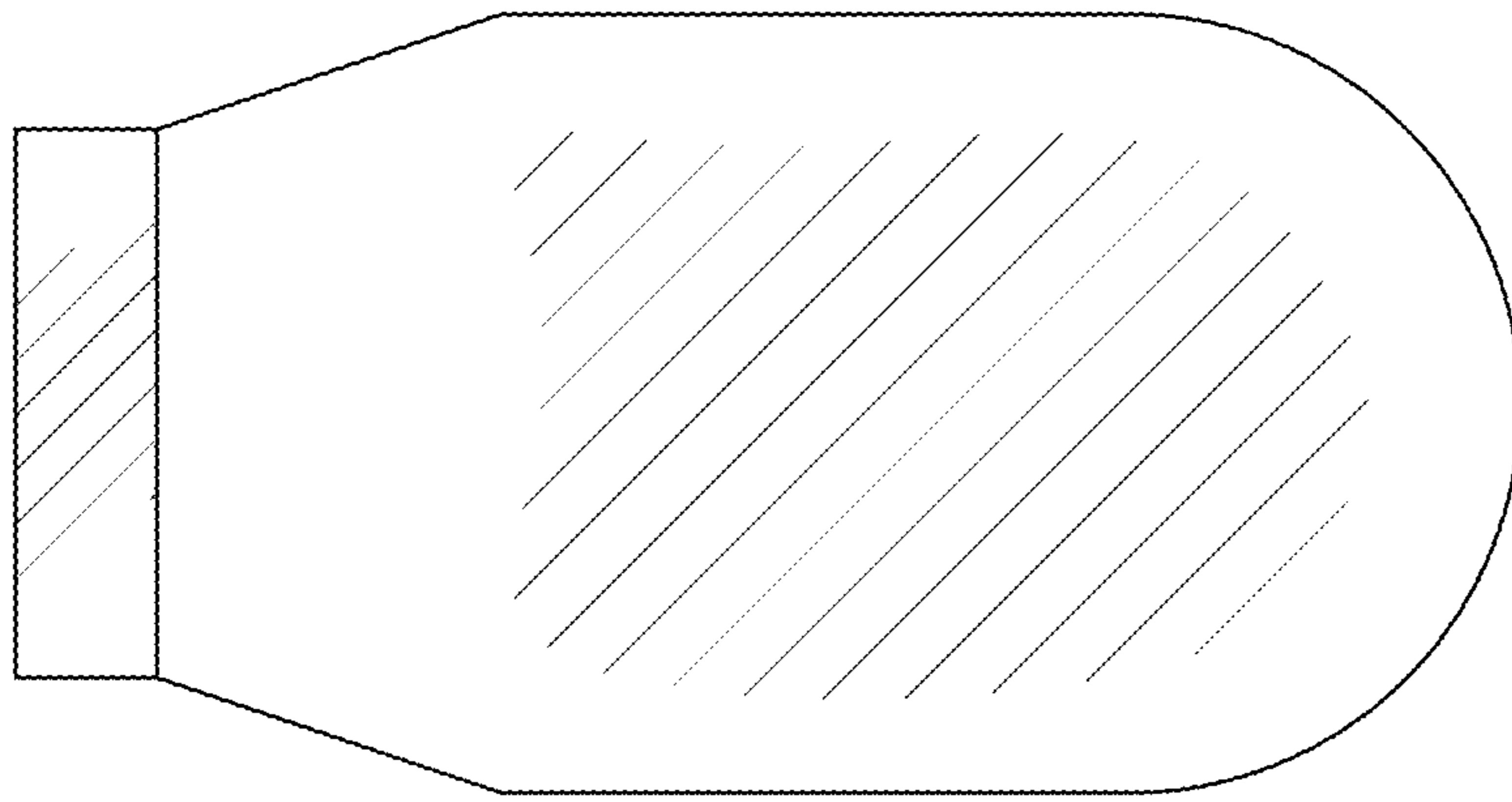


FIG. 5

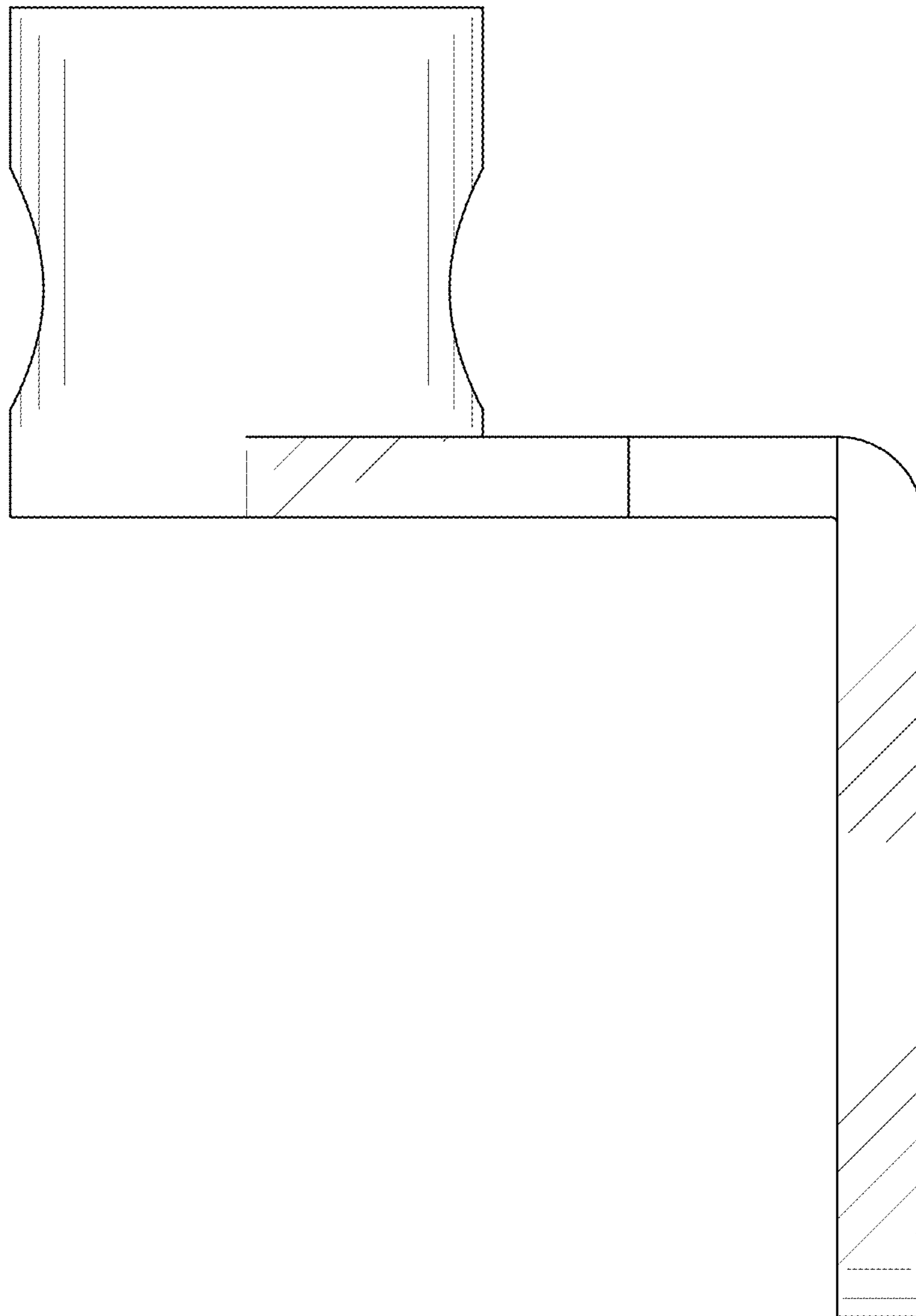


FIG. 6



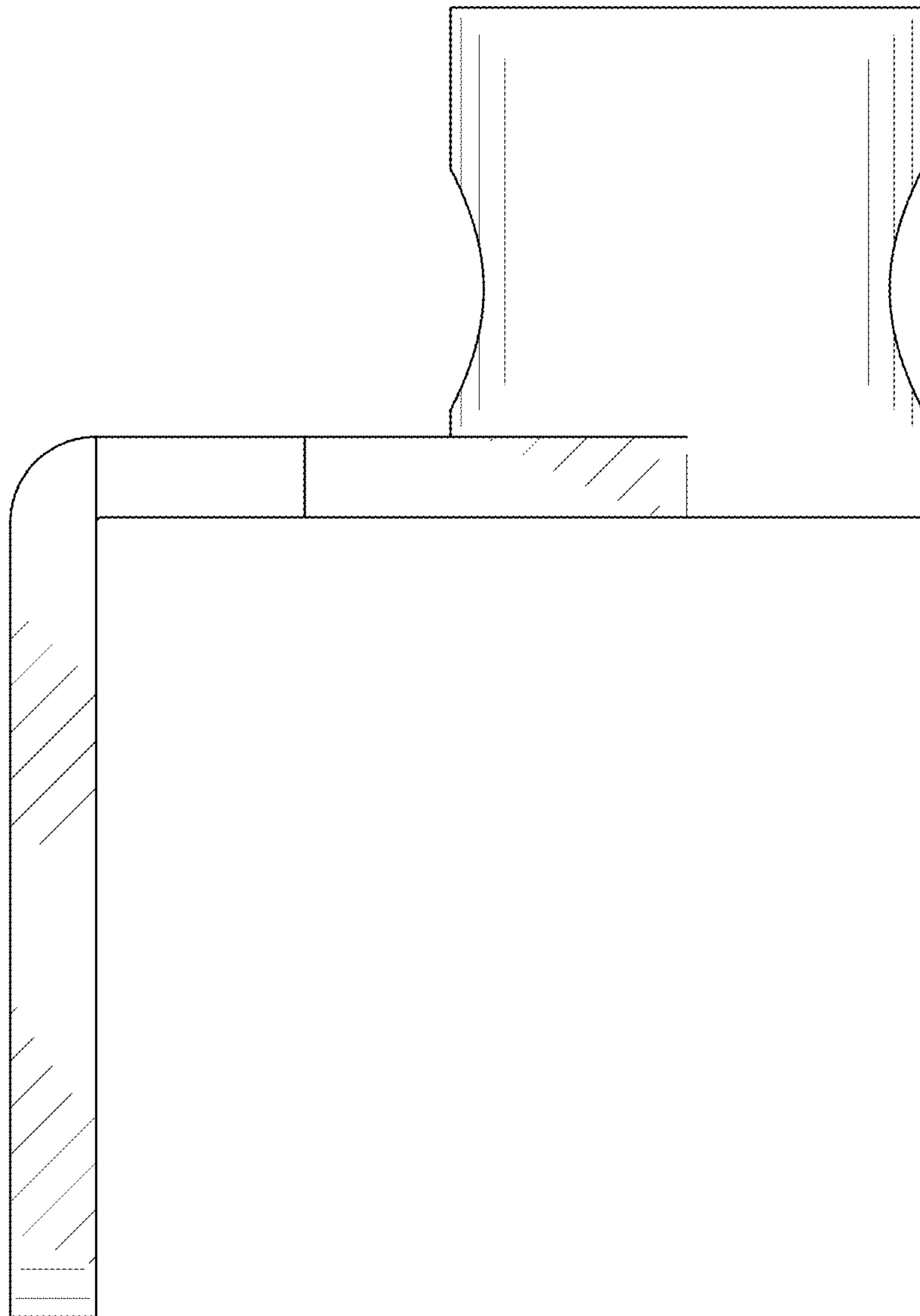


FIG. 7