



US00D881815S

(12) **United States Design Patent**
Lackner et al.

(10) **Patent No.:** **US D881,815 S**
(45) **Date of Patent:** **** Apr. 21, 2020**

(54) **CONNECTOR**

(71) Applicant: **Hans-Peter Wilfer**, Markneukirchen (DE)

(72) Inventors: **Klaus Lackner**, Heidelberg (DE);
Roland Schmidt, Heidelberg (DE)

(73) Assignee: **Hans-Peter Wilfer**, Markneukirchen (DE)

(**) Term: **15 Years**

(21) Appl. No.: **29/670,074**

(22) Filed: **Nov. 13, 2018**

(30) **Foreign Application Priority Data**

Aug. 30, 2018 (DE) 40 2018 100 858

(51) **LOC (12) Cl.** **13-03**

(52) **U.S. Cl.**
USPC **D13/133**

(58) **Field of Classification Search**
USPC D13/110, 118, 120, 123, 133, 146, 147,
D13/149, 151, 154, 173, 184, 199,
D13/137.1-137.3, 138.1, 138.2;
D14/433, 480.1, 480.3, 480.6; D24/127,
D24/129

CPC . H01R 3/00; H01R 4/56; H01R 13/00; H01R
13/44; H01R 13/58; H01R 13/62; H01R
13/64; H01R 13/648; H01R 24/00; H01R
43/00; H01R 43/20; H01R 43/26; H01R
11/09; H01R 11/11

See application file for complete search history.

(56) **References Cited**

U.S. PATENT DOCUMENTS

2,307,216 A * 1/1943 Graham F16G 11/02
174/84 C

2,994,734 A * 8/1961 Scofield H02G 5/04
174/92

3,373,397 A * 3/1968 Renshaw, Jr. H01R 11/22
439/288

D385,531 S * 10/1997 Hermes D13/173

D446,499 S * 8/2001 Andre D13/110

D454,110 S * 3/2002 Andre D13/110

6,623,275 B1 * 9/2003 Pavlovic H01R 13/7197
439/38

D543,945 S * 6/2007 Ho D13/147

D588,549 S * 3/2009 Lee D13/133

D600,652 S * 9/2009 Hong D13/154

D601,500 S * 10/2009 Green D13/110

D679,248 S * 4/2013 Choi D13/147

D680,492 S * 4/2013 Smith D13/110

D707,180 S * 6/2014 Yi D13/147

D709,891 S * 7/2014 Alesi D14/433

D739,824 S * 9/2015 Lin D13/146

D765,601 S * 9/2016 Palmer D13/147

D795,810 S * 8/2017 Kawamoto D13/138.2

(Continued)

Primary Examiner — Angela J Lee
Assistant Examiner — Shawn T Gingrich
(74) *Attorney, Agent, or Firm* — Scarinci Hollenbeck,
LLC; Libby Babu Varghese

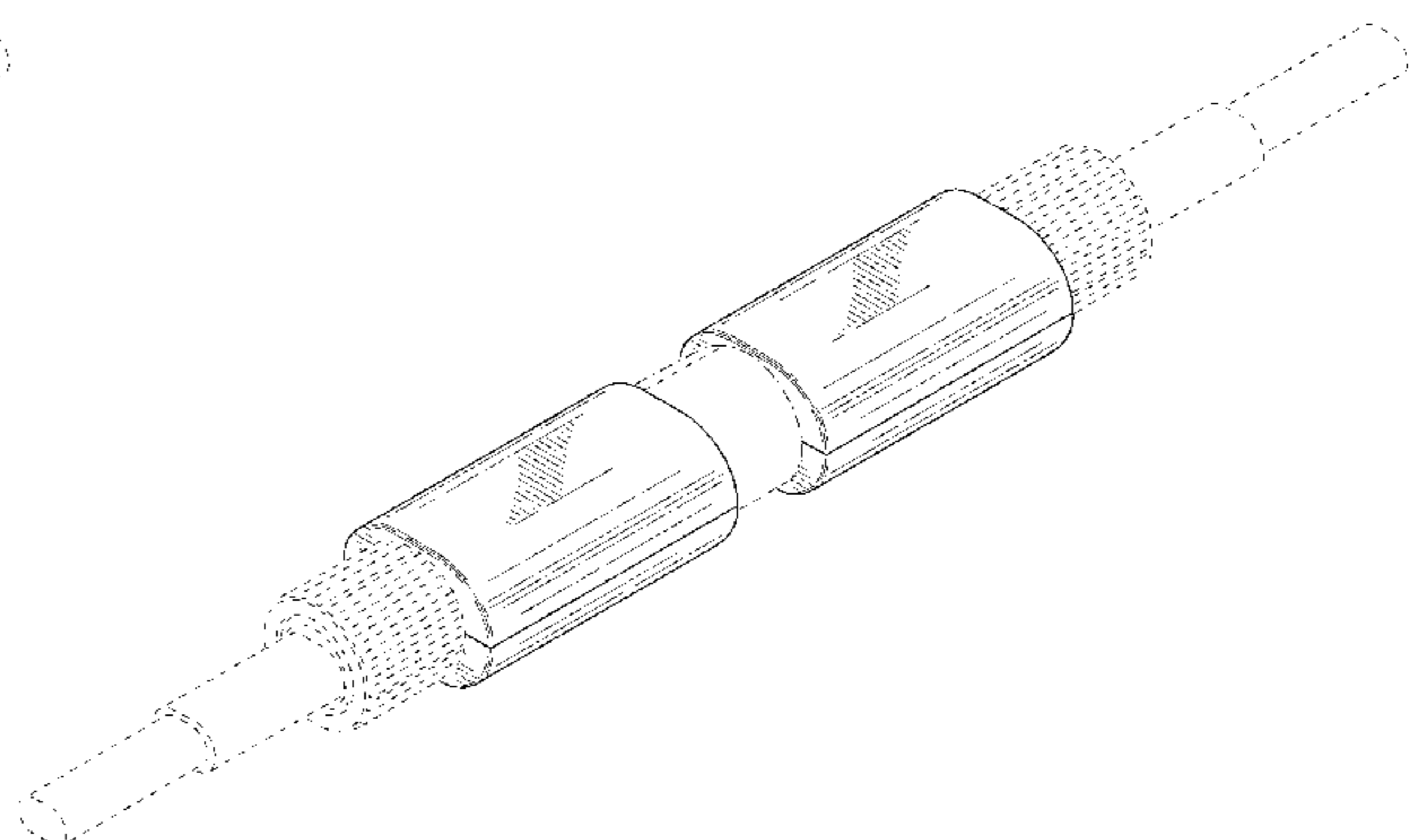
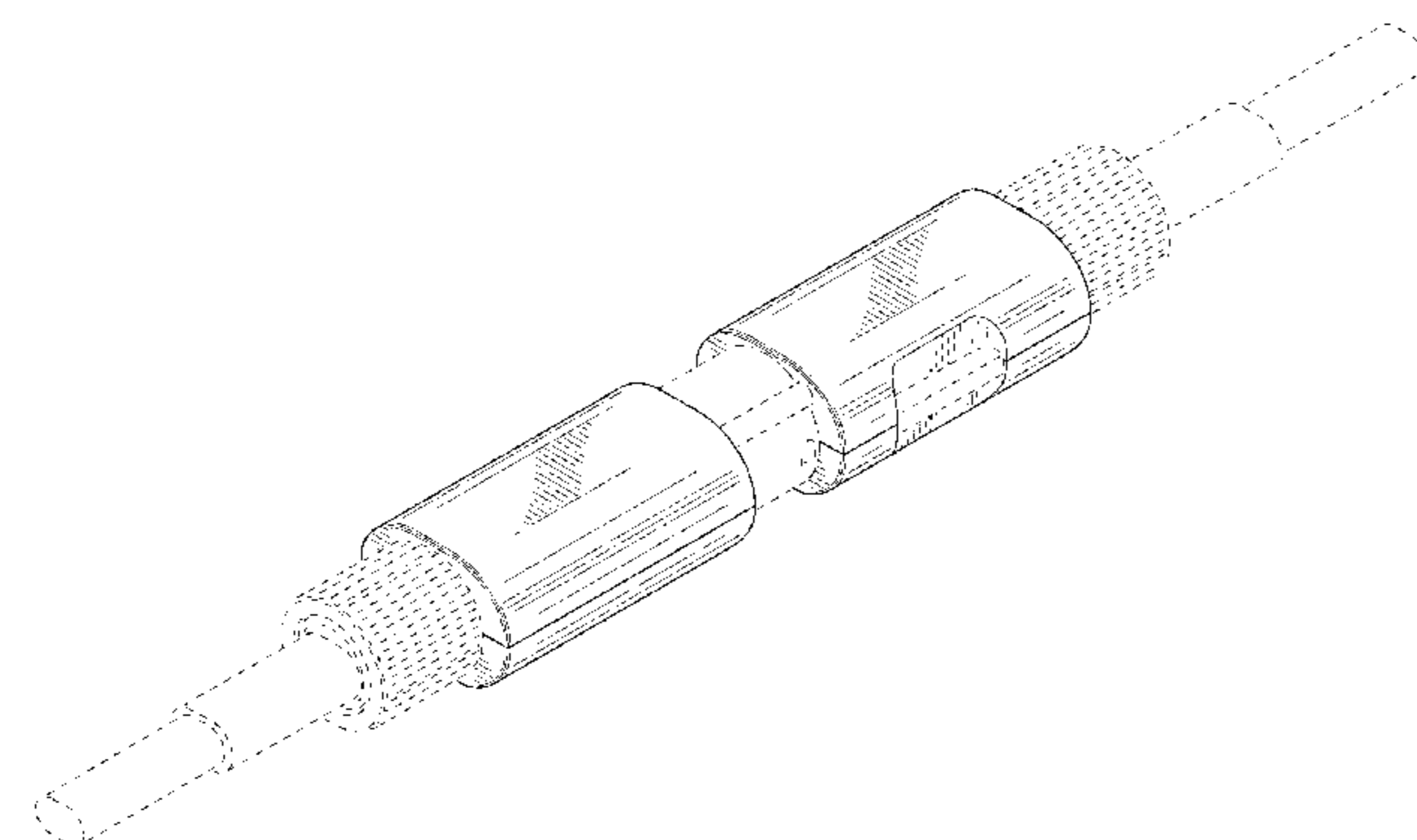
(57) **CLAIM**

The ornamental design for a connector, as shown and described.

DESCRIPTION

FIG. 1 is a top perspective view;
FIG. 2 is a bottom perspective view;
FIG. 3 is a front view;
FIG. 4 is a back view;
FIG. 5 is a left side view;
FIG. 6 is a right side view;
FIG. 7 is a top plan view; and,
FIG. 8 is a bottom plan view.
Broken lines illustrate environmental features and form no part of the claimed design.

1 Claim, 5 Drawing Sheets



(56)

References Cited

U.S. PATENT DOCUMENTS

D797,679	S *	9/2017	Chang	D13/153
D841,008	S *	2/2019	Yu	D14/433
D842,803	S *	3/2019	Nishizawa	D13/108
D847,092	S *	4/2019	Kelley	D13/133
D851,089	S *	6/2019	Sweet	D14/433
D853,394	S *	7/2019	McCracken	D14/433
2010/0151734	A1 *	6/2010	Wu	H01R 13/5816 439/607.57
2012/0028498	A1 *	2/2012	Na	G09F 3/205 439/491

* cited by examiner

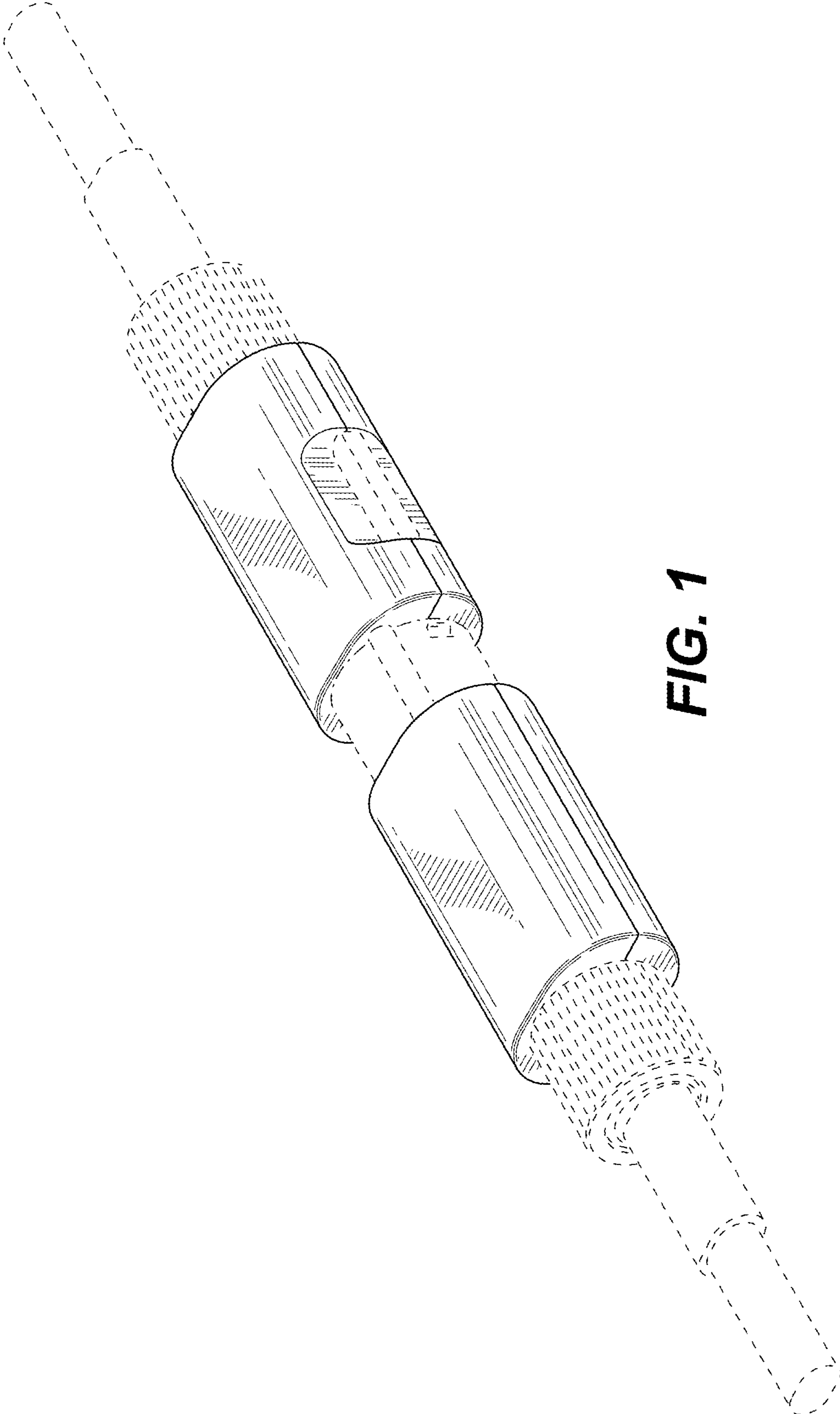


FIG. 1

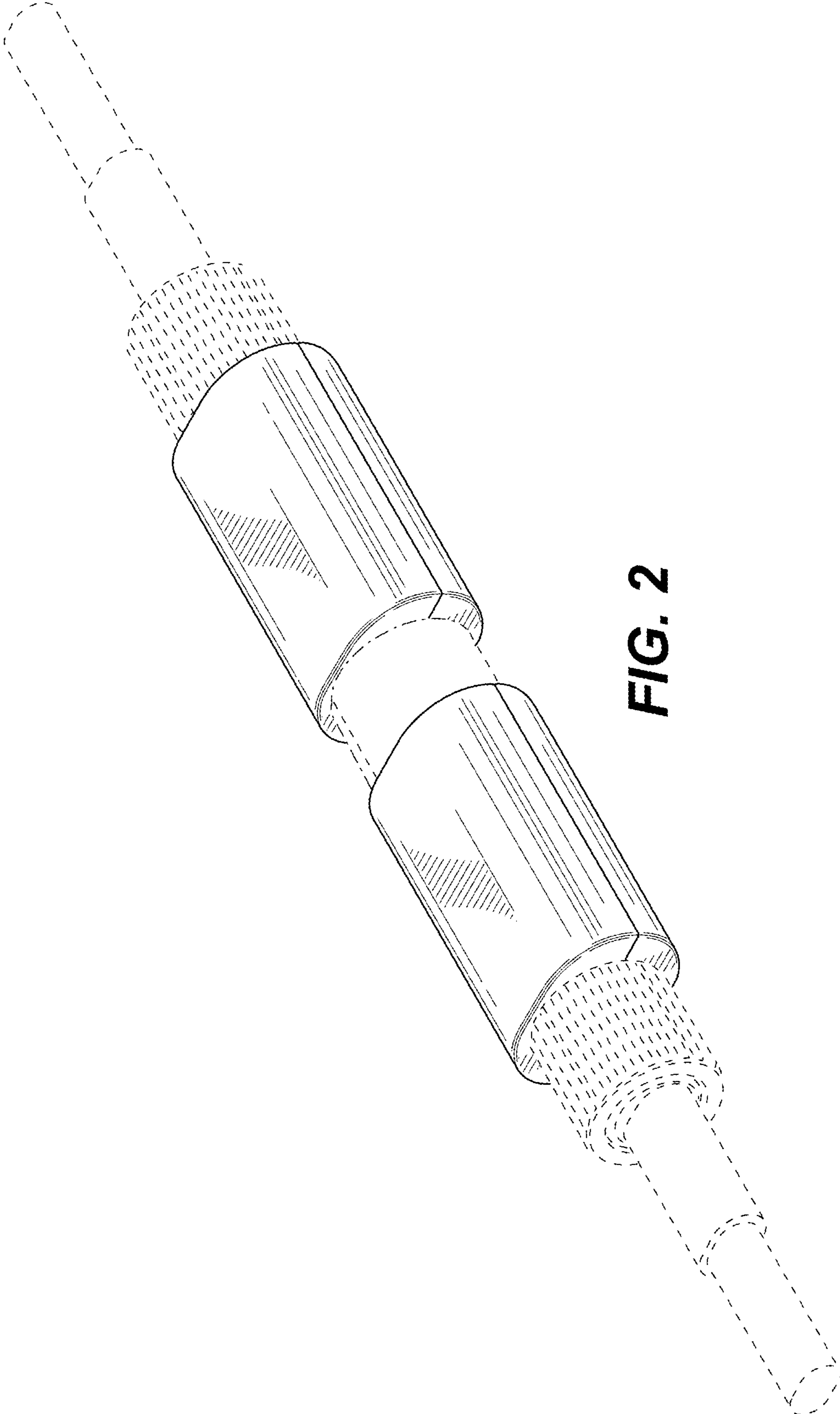


FIG. 2

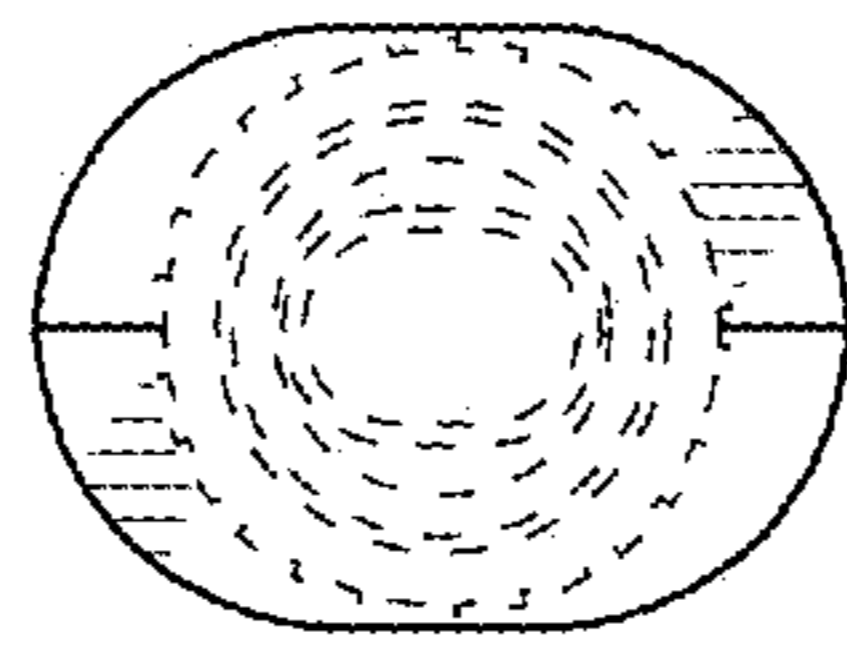


FIG. 3

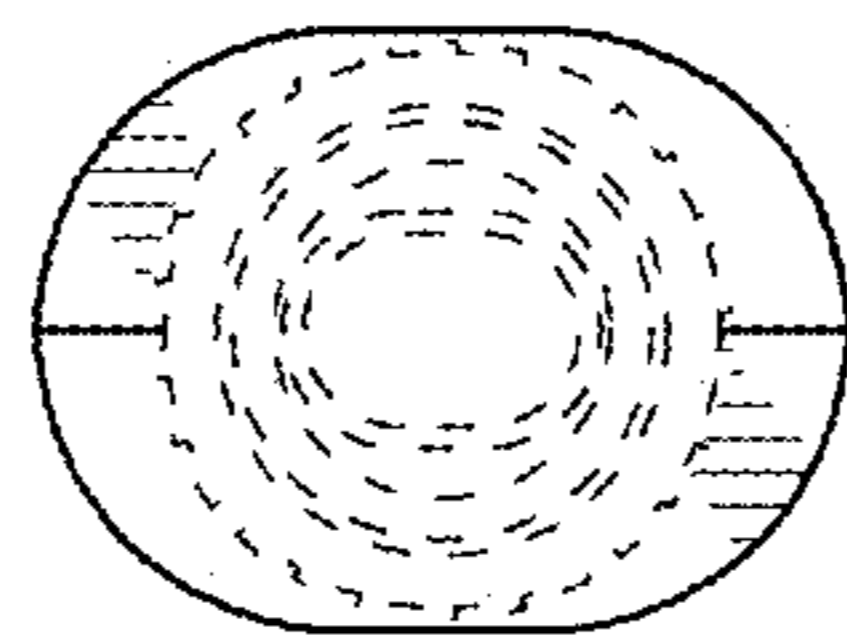


FIG. 4

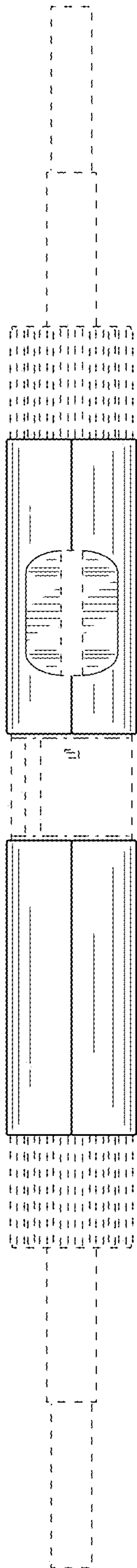


FIG. 5

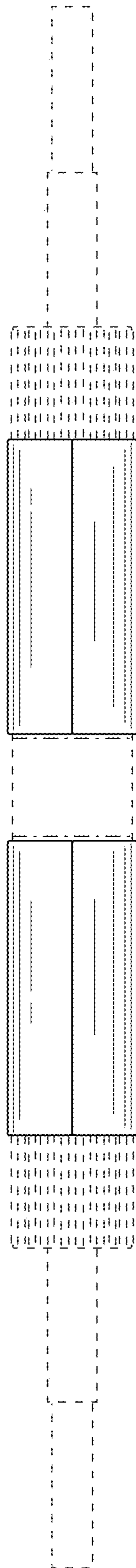


FIG. 6

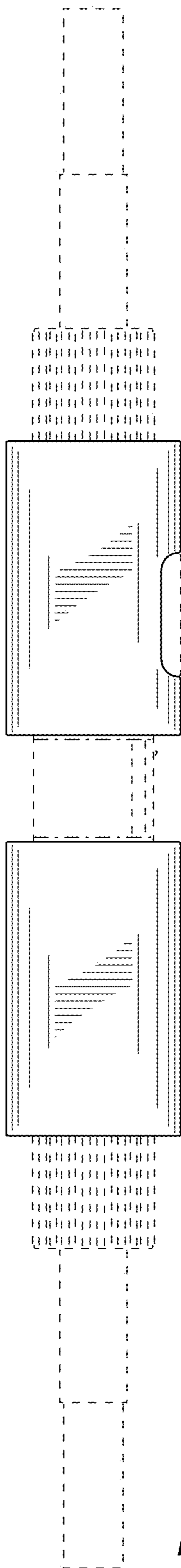


FIG. 7

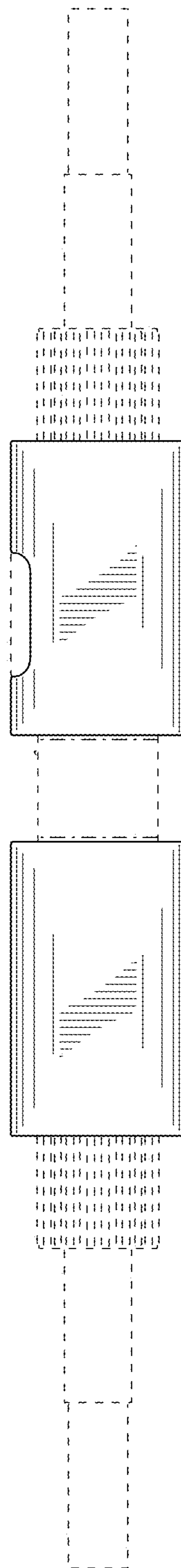


FIG. 8