



US00D881812S

(12) **United States Design Patent** (10) **Patent No.:** **US D881,812 S**  
**Yang** (45) **Date of Patent:** **\*\* Apr. 21, 2020**

(54) **POWERED BATTERY CASE**

(71) Applicant: **Jing Yang**, Linhai (CN)

(72) Inventor: **Jing Yang**, Linhai (CN)

(\*\*) Term: **15 Years**

(21) Appl. No.: **29/639,961**

(22) Filed: **Mar. 9, 2018**

(51) **LOC (12) Cl.** ..... **13-02**

(52) **U.S. Cl.**  
USPC ..... **D13/119; D3/294; D13/103**

(58) **Field of Classification Search**  
USPC ..... **D13/103–110, 118–119; D3/294, 274, D3/905, 273; D26/25**  
CPC ..... **H02J 7/0042; H02J 7/0045; H02J 7/0054; H02J 7/0044; H02J 2007/0062**  
See application file for complete search history.

(56) **References Cited**

**U.S. PATENT DOCUMENTS**

D423,459 S *	4/2000	Takase .....	D13/152
D472,384 S *	4/2003	Richardson .....	D3/273
D517,988 S *	3/2006	Ihde .....	D13/103
D580,373 S *	11/2008	Stange .....	D13/162
D727,254 S *	4/2015	Kinoshita .....	D13/103
D777,104 S *	1/2017	Liu .....	D13/119

9,762,987 B2 *	9/2017	Snyder .....	H04R 1/02
9,893,330 B2 *	2/2018	Lam .....	H01M 10/425
D821,968 S *	7/2018	Zhao .....	D13/103
D823,788 S *	7/2018	Wei .....	D13/103
D825,465 S *	8/2018	Deng .....	D13/119
10,236,711 B1 *	3/2019	Miller .....	H02J 7/0042
2017/0197765 A1 *	7/2017	Hu .....	H02J 7/0044

**FOREIGN PATENT DOCUMENTS**

CN 303357850 \* 9/2015

\* cited by examiner

*Primary Examiner* — Brett Miller

(74) *Attorney, Agent, or Firm* — Michael D. Eisenberg

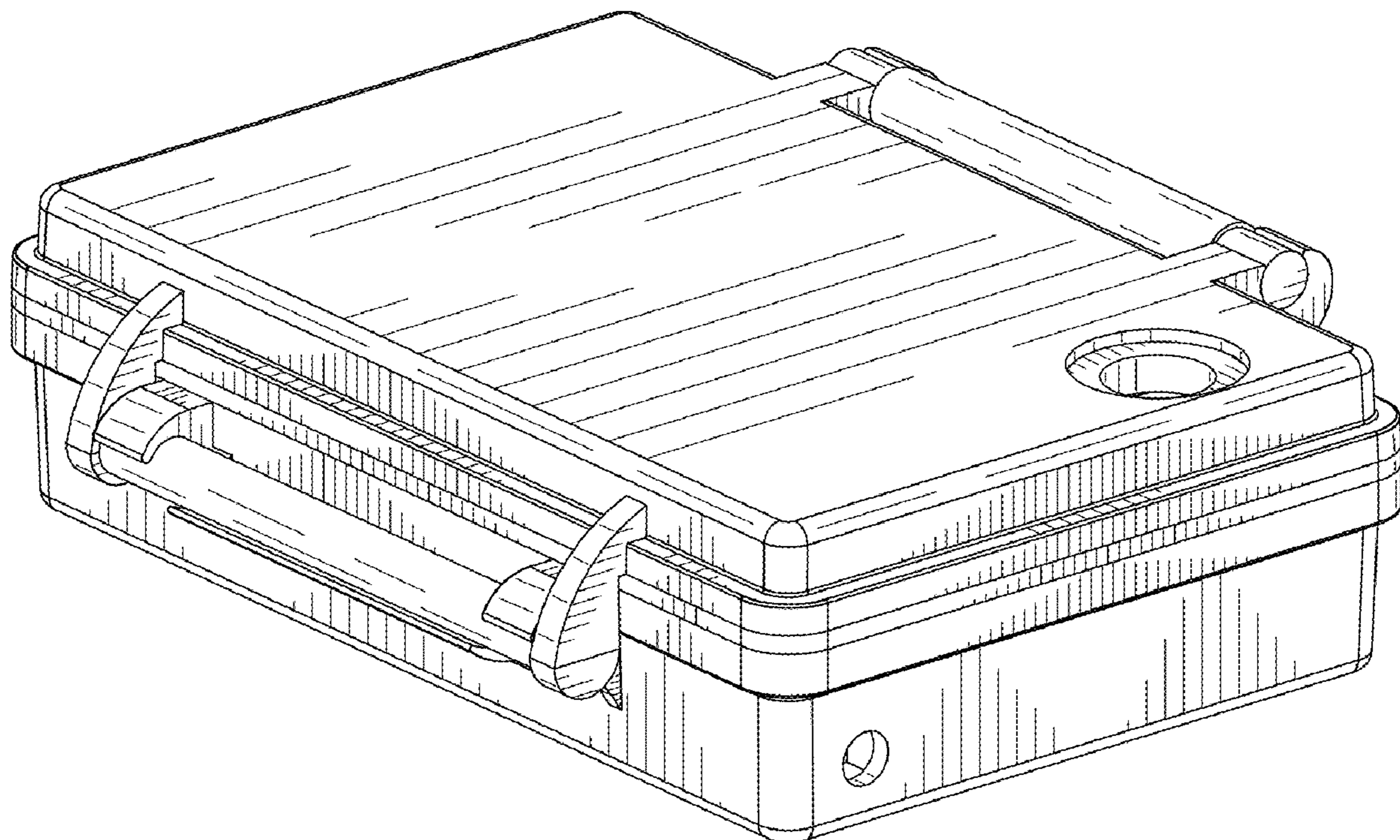
(57) **CLAIM**

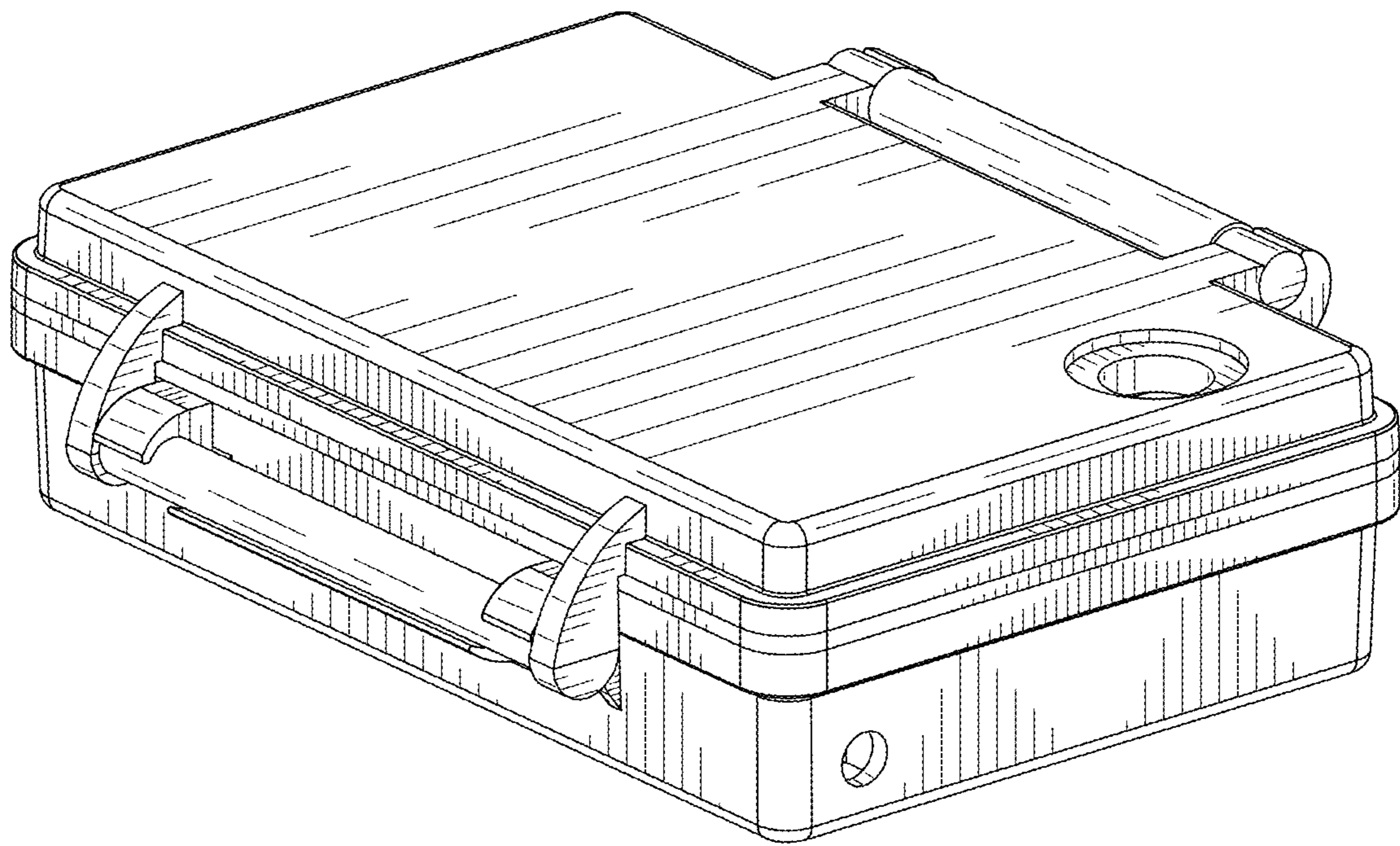
The ornamental design for a powered battery case, as shown and described.

**DESCRIPTION**

FIG. 1 is a perspective view of a powered battery case showing my new design;  
FIG. 2 is a top view of the powered battery case;  
FIG. 3 is a bottom view of the powered battery case;  
FIG. 4 is a right side view of the powered battery case;  
FIG. 5 is a left side view of the powered battery case;  
FIG. 6 is a rear view of the powered battery case; and,  
FIG. 7 is a front view of the powered battery case.

**1 Claim, 6 Drawing Sheets**





*FIG. 1*

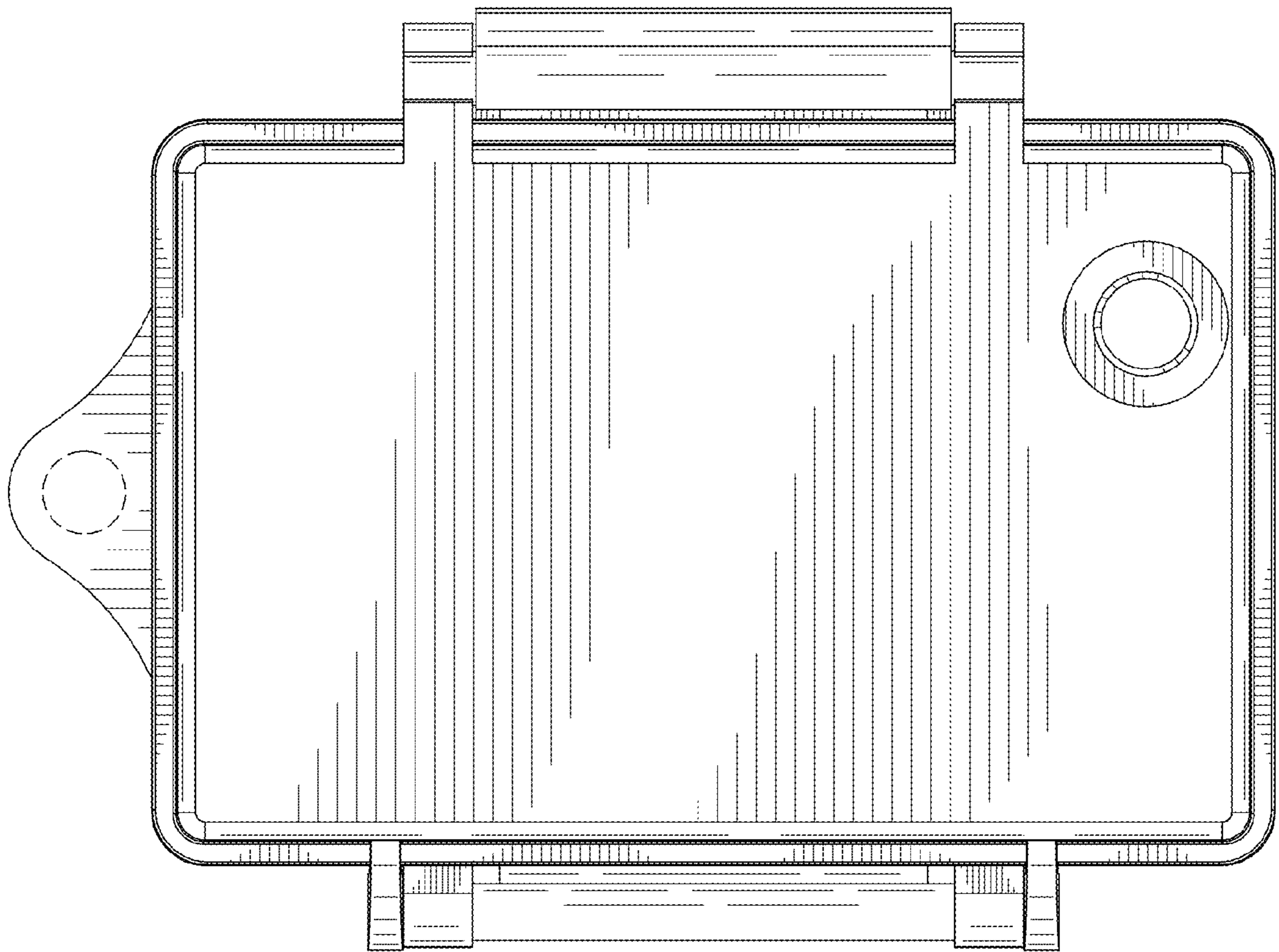


FIG. 2

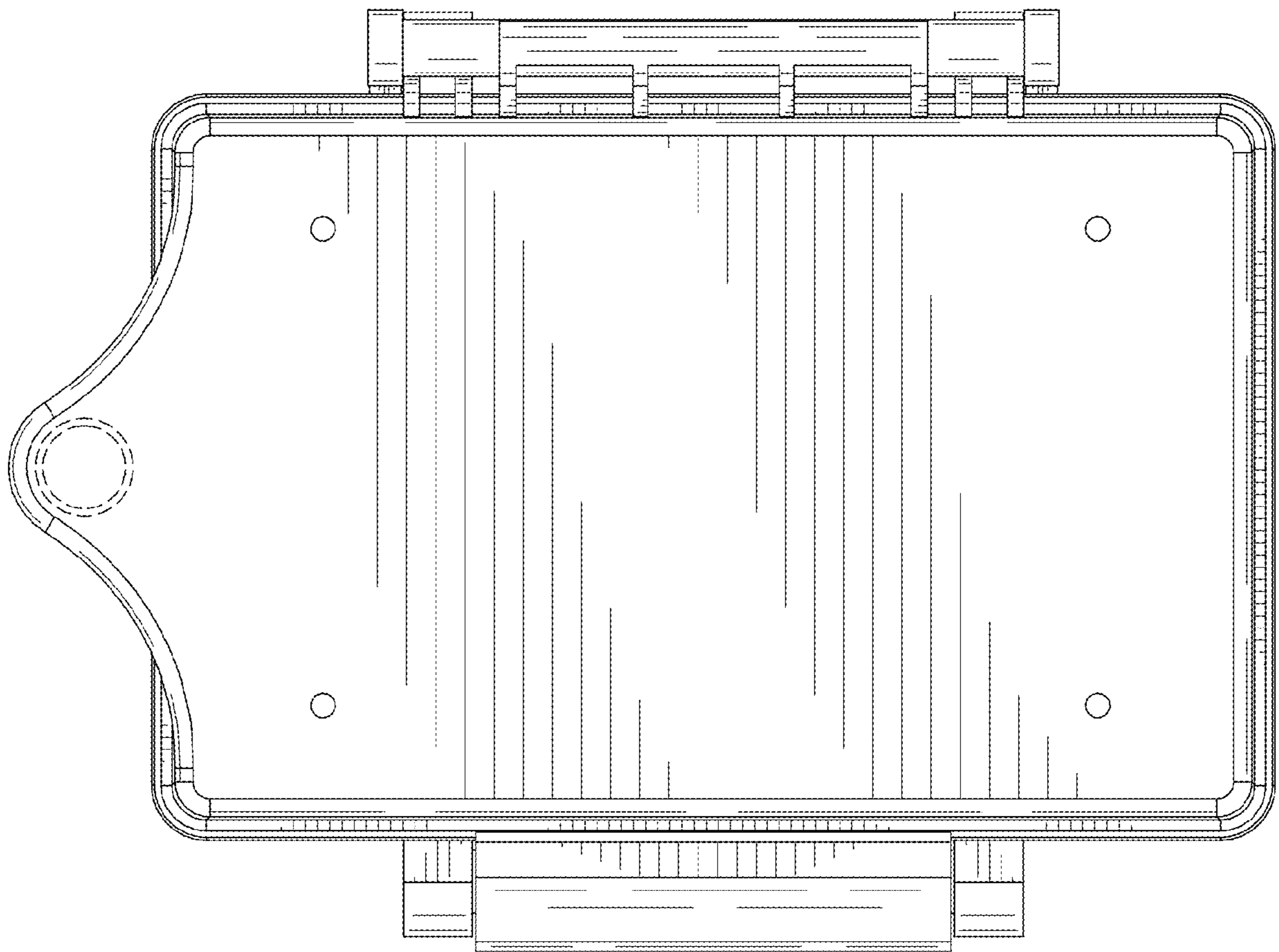
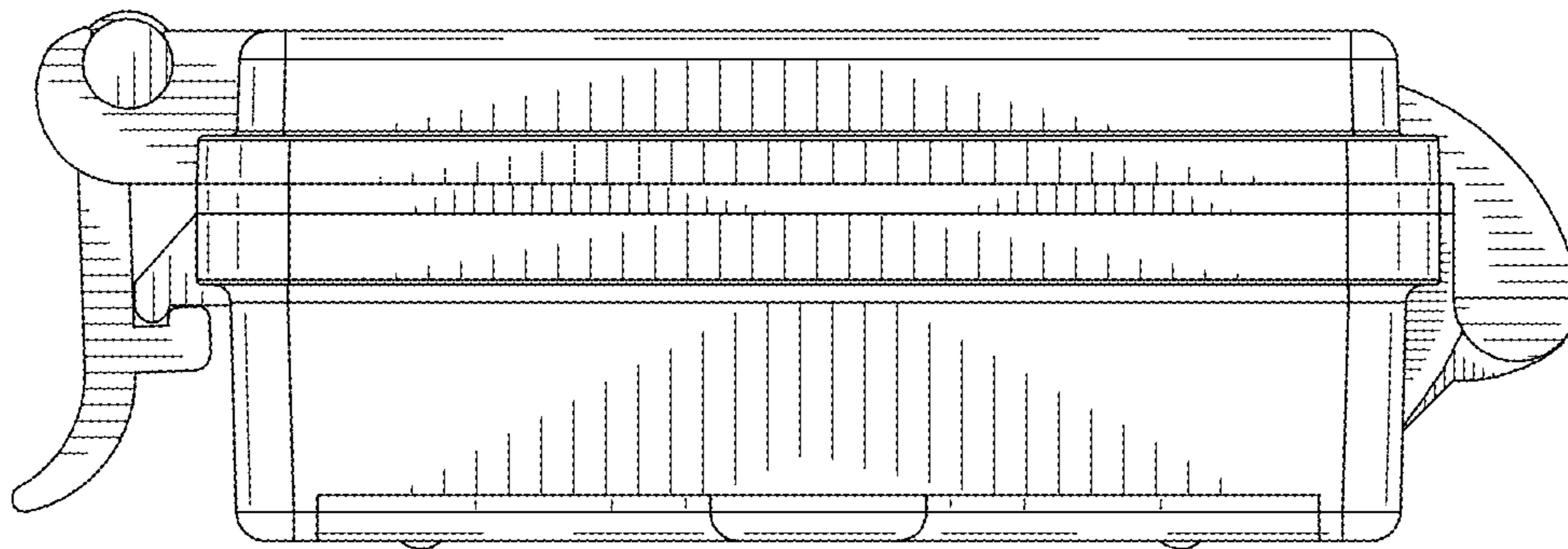
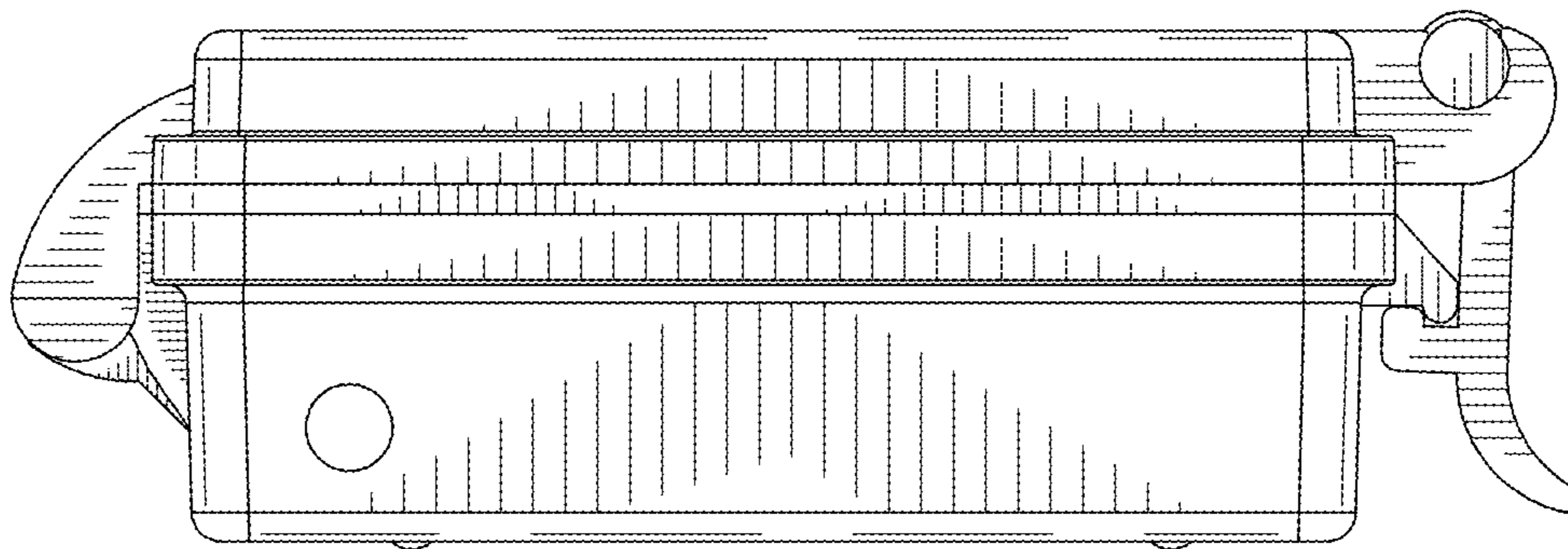


FIG. 3



*FIG. 4*



*FIG. 5*

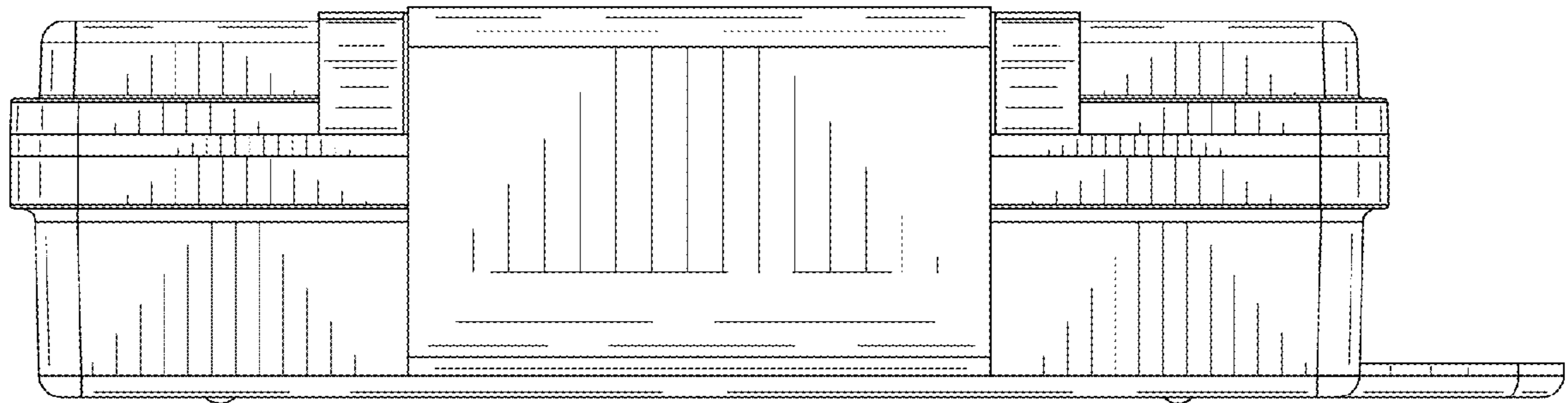


FIG. 6

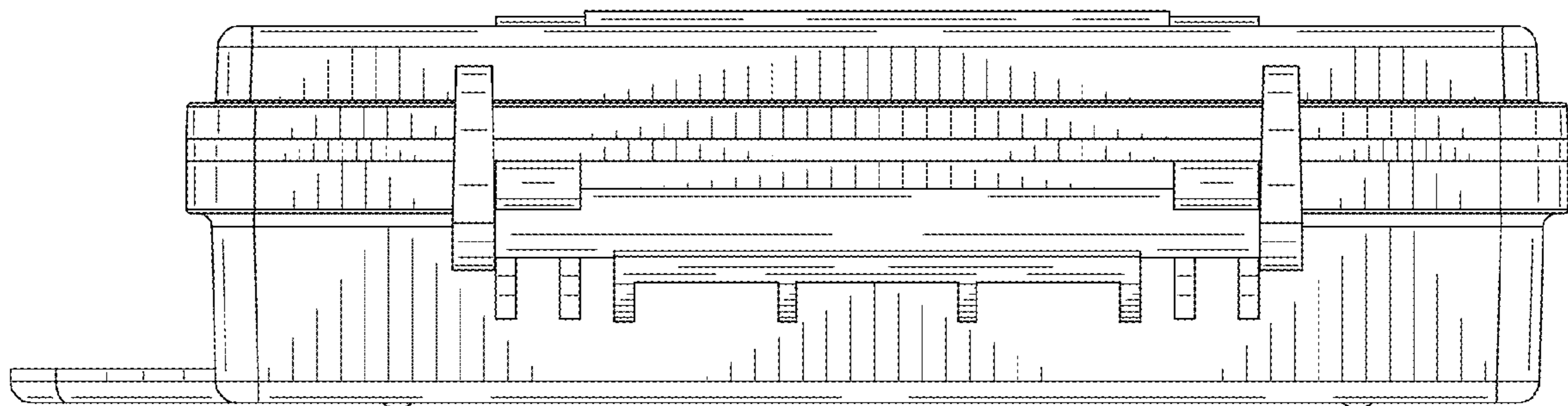


FIG. 7