



US00D881811S

(12) **United States Design Patent**  
**Koebler**

(10) **Patent No.:** **US D881,811 S**

(45) **Date of Patent:** **\*\* Apr. 21, 2020**

(54) **COVER FOR A STARTER BATTERY**

(71) Applicant: **Martin Koebler**, Davidson, NC (US)

(72) Inventor: **Martin Koebler**, Davidson, NC (US)

(\*\*) Term: **15 Years**

(21) Appl. No.: **29/610,314**

(22) Filed: **Jul. 11, 2017**

(51) **LOC (12) Cl.** ..... **13-02**

(52) **U.S. Cl.**  
USPC ..... **D13/119**

(58) **Field of Classification Search**

USPC ..... D13/101, 102, 103, 104, 105, 106, 107,  
D13/110, 118, 119, 120, 154, 184, 199;  
D14/217, 432; D15/5, 28, 31, 199  
CPC ..... H01M 2/02; H01M 2/04; H01M 2/021;  
H01M 2/0205; H01M 2/0207; H01M  
2/0212; H01M 2/0215; H01M 2/1022;  
H01M 2/1061; H01M 2/1066; H01M  
10/0413; H01M 10/0436; H04M 1/026;  
H04M 1/0262

See application file for complete search history.

(56) **References Cited**

**U.S. PATENT DOCUMENTS**

D491,138 S \* 6/2004 Minato ..... D13/104  
6,942,945 B2 \* 9/2005 Andersen ..... H01M 2/1005  
429/100  
D517,479 S \* 3/2006 Schemm ..... D13/103

D592,134 S \* 5/2009 Brockington ..... D13/119  
D635,508 S \* 4/2011 Seyama ..... D13/104  
D643,810 S \* 8/2011 Qualls ..... D13/106  
D719,088 S \* 12/2014 Koebler ..... D13/104  
D765,598 S \* 9/2016 Dai ..... D13/119

\* cited by examiner

*Primary Examiner* — Derrick E Holland

(74) *Attorney, Agent, or Firm* — Ralph H. Dougherty

(57) **CLAIM**

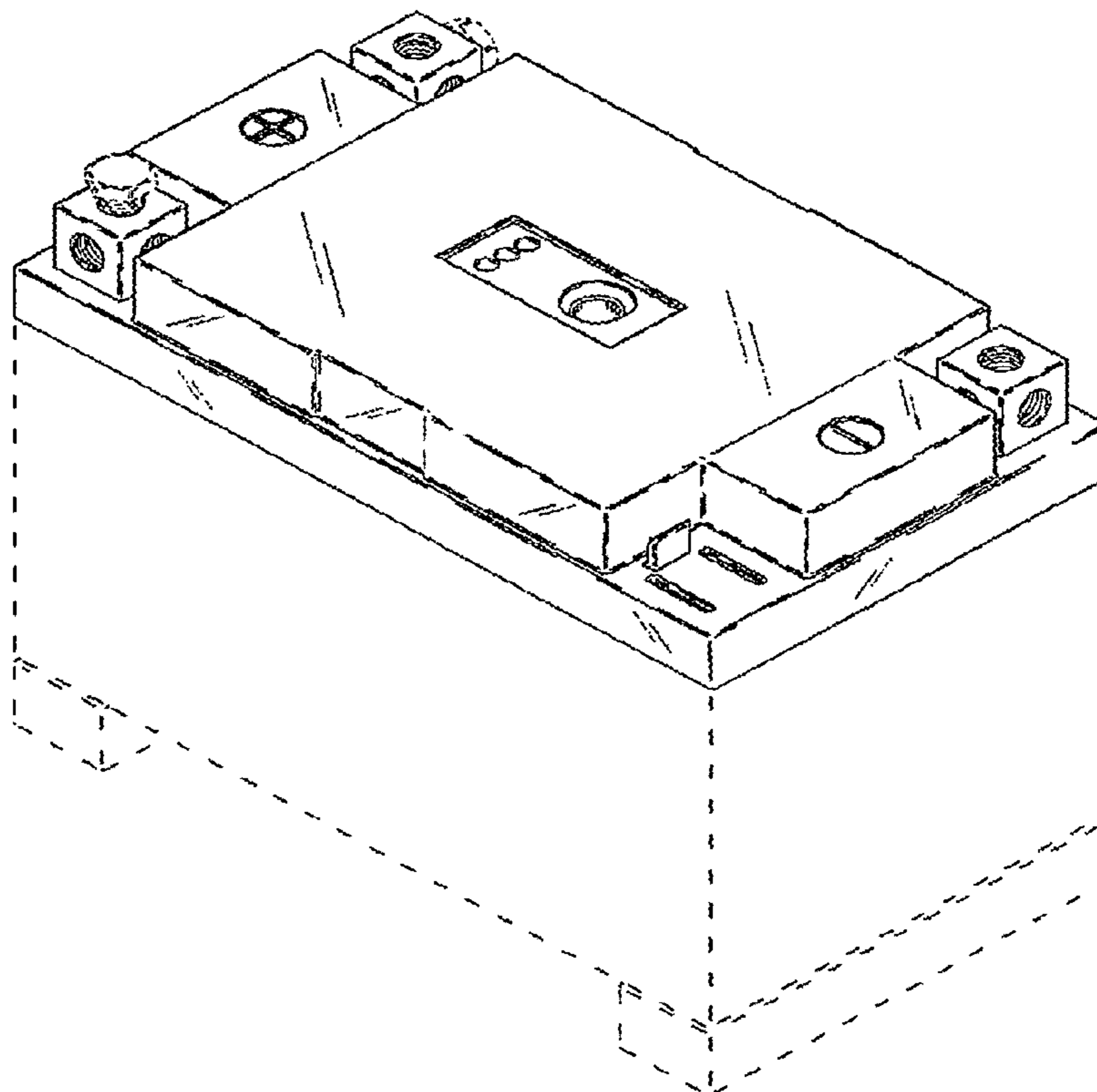
The ornamental design for a cover for a starter battery, or the like, as shown and described.

**DESCRIPTION**

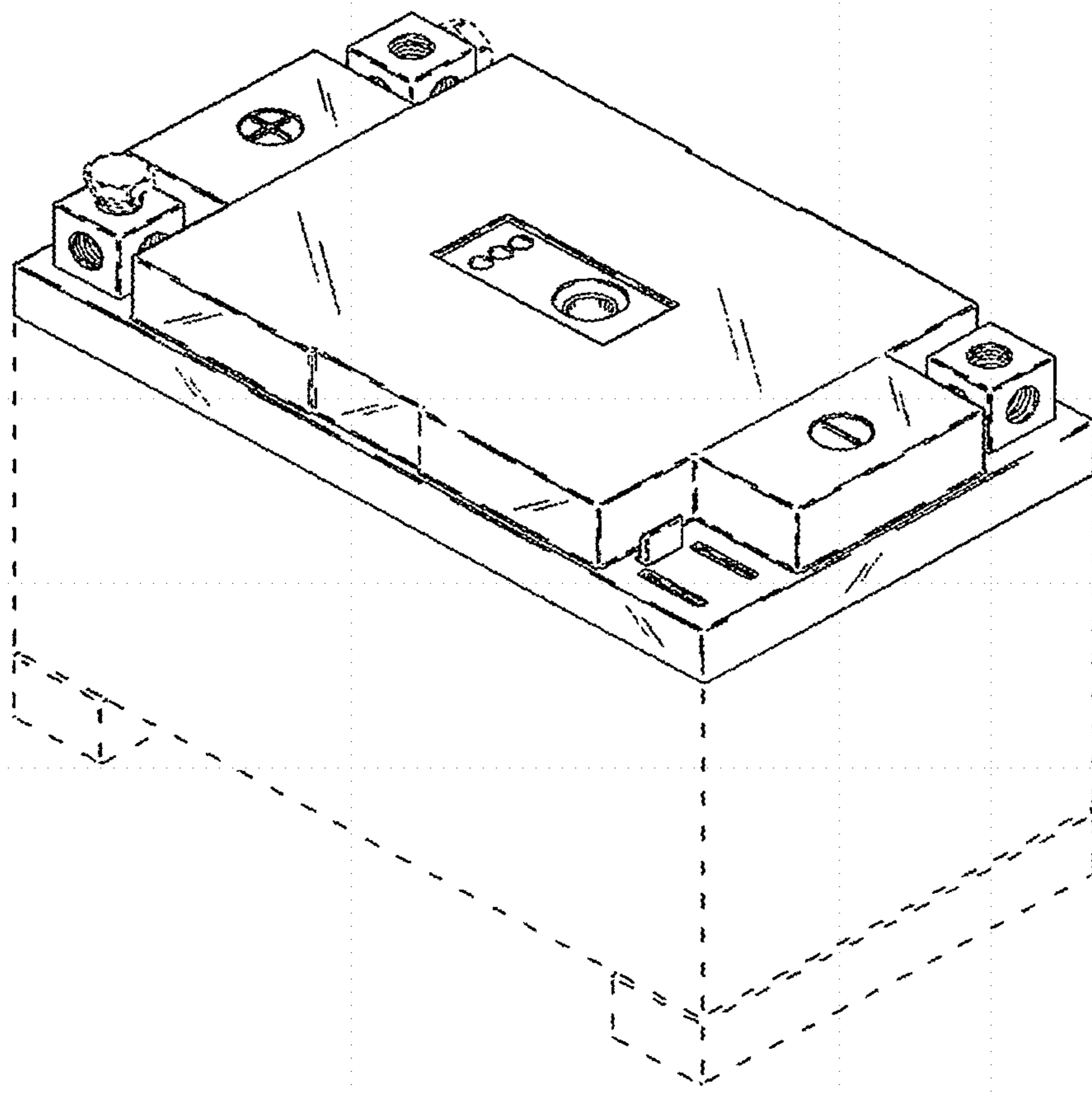
FIG. 1 is an isometric view of a cover for a starter battery or the like showing the new design;  
FIG. 2 is a front view thereof;  
FIG. 3 is a rear view thereof;  
FIG. 4 is a left side view thereof,  
FIG. 5 is a right side view thereof;  
FIG. 6 is a top view thereof; and  
FIG. 7 is a bottom view thereof.  
FIG. 8 is an isometric view of an alternative embodiment of the invented cover for a starter battery;  
FIG. 9 is a front view thereof;  
FIG. 10 is a rear view thereof;  
FIG. 11 is a left side view thereof,  
FIG. 12 is a right side view thereof;  
FIG. 13 is a top view thereof; and,  
FIG. 14 is a bottom view thereof.

The broken lines shown represent environmental structure only and form no part of the claimed design.

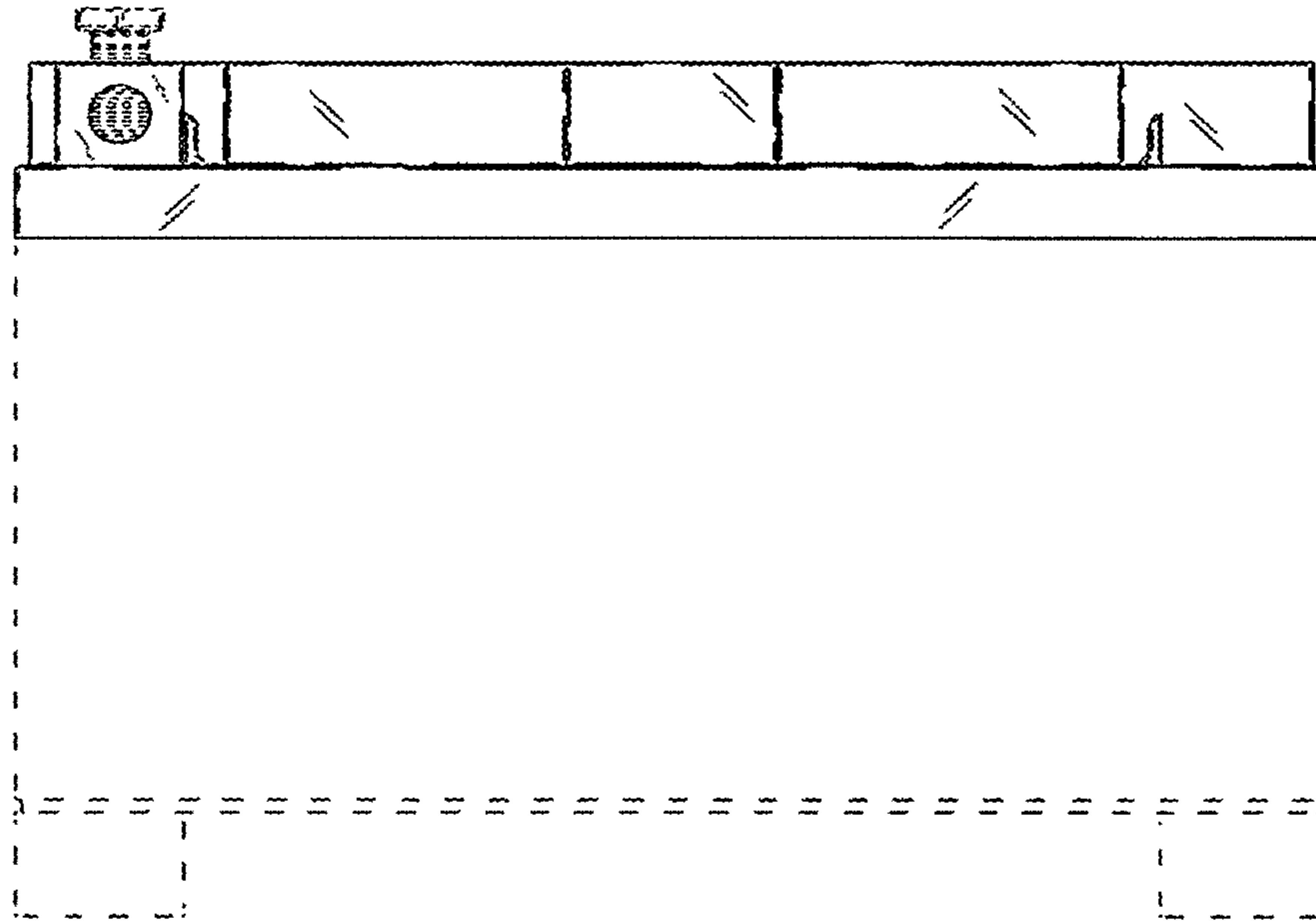
**1 Claim, 8 Drawing Sheets**



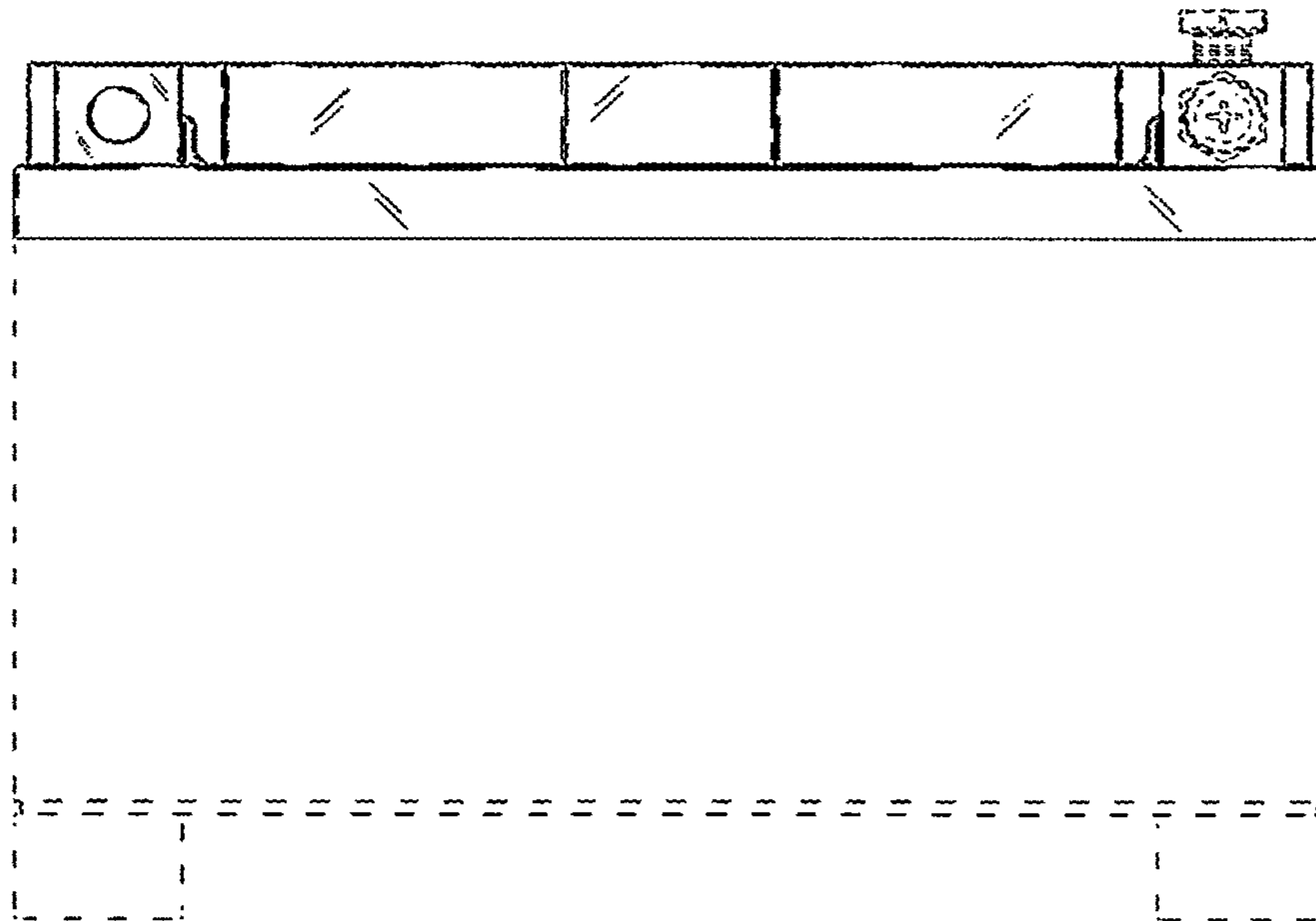
*Fig. 1*



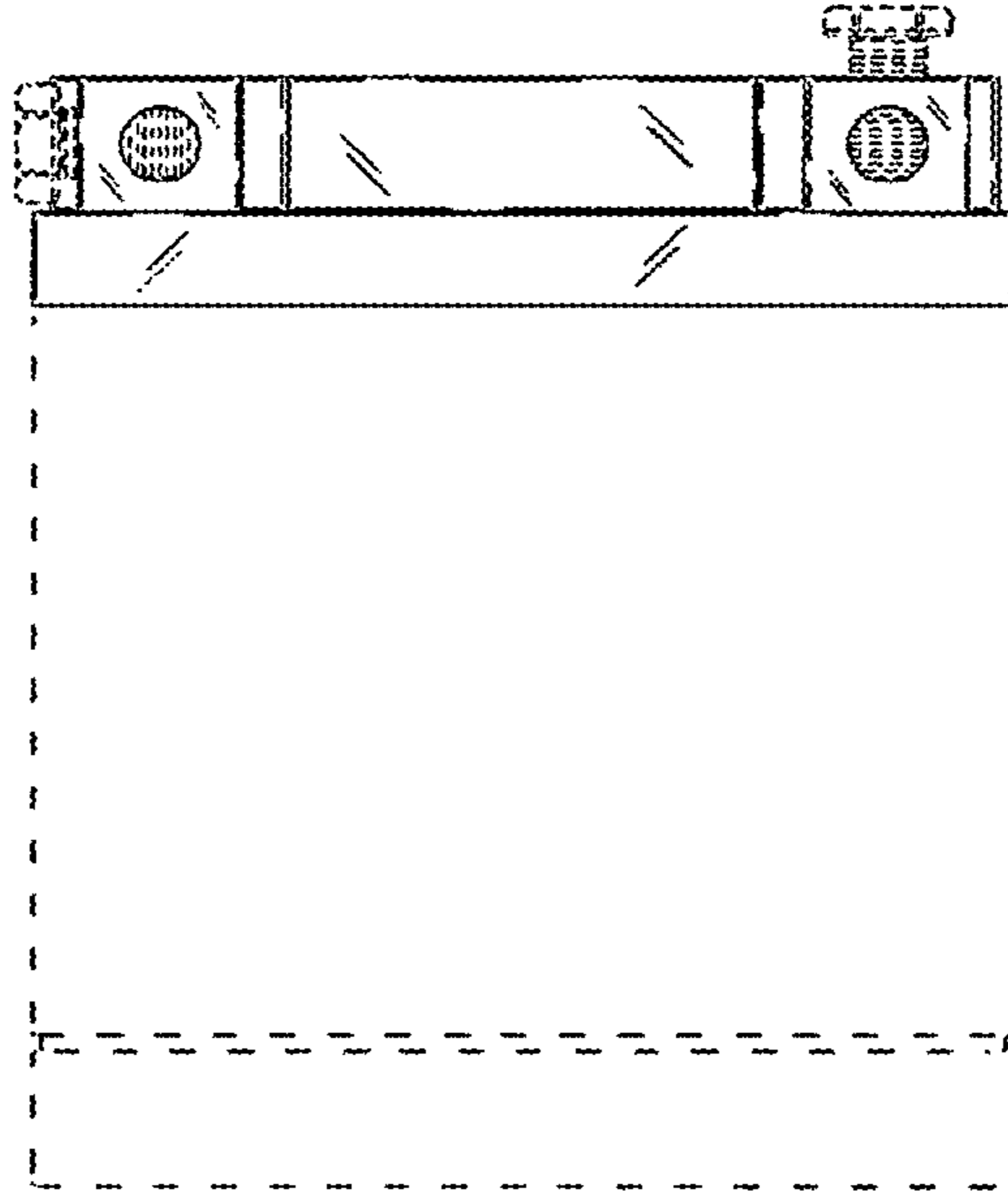
*Fig. 2*



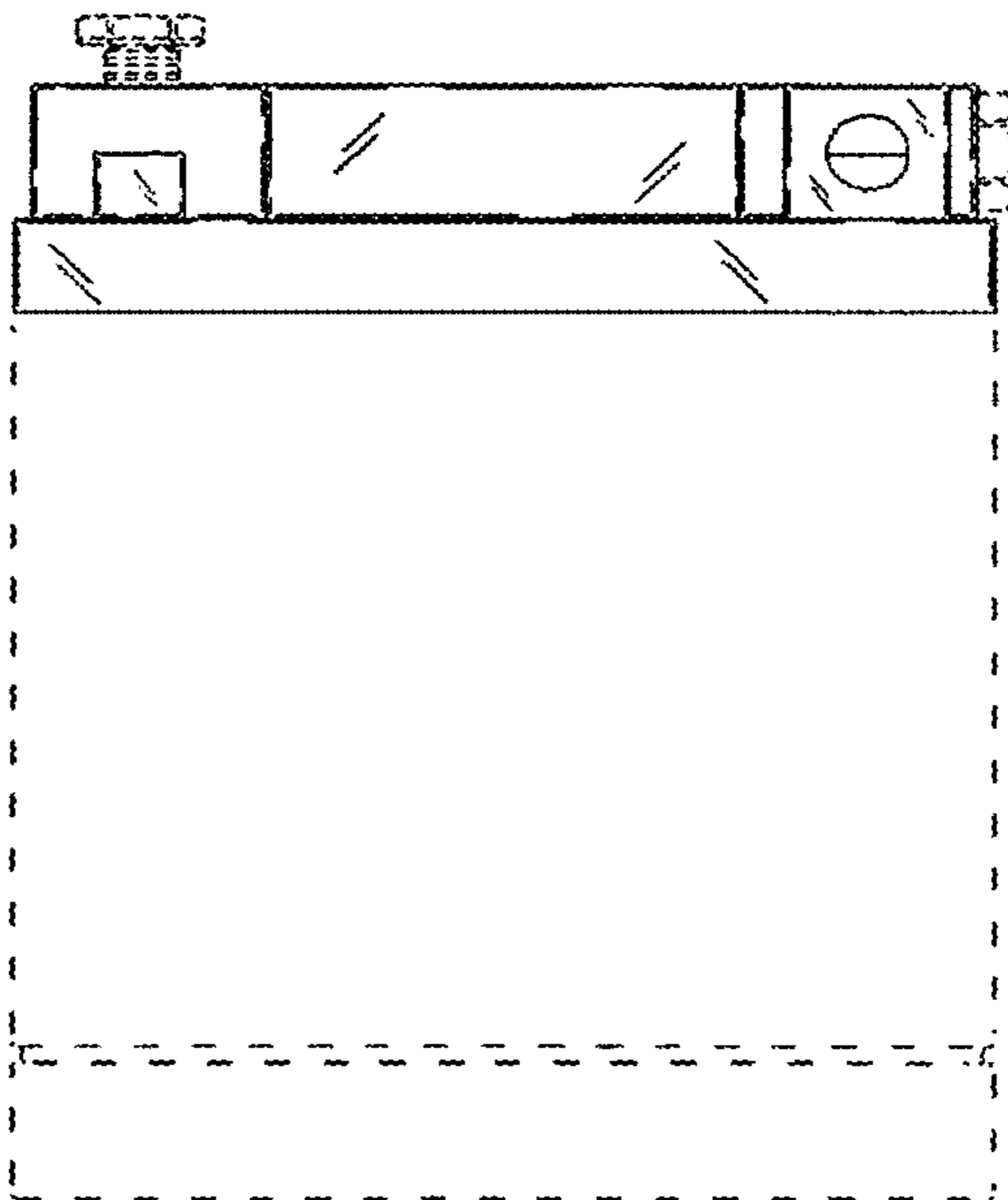
*Fig. 3*



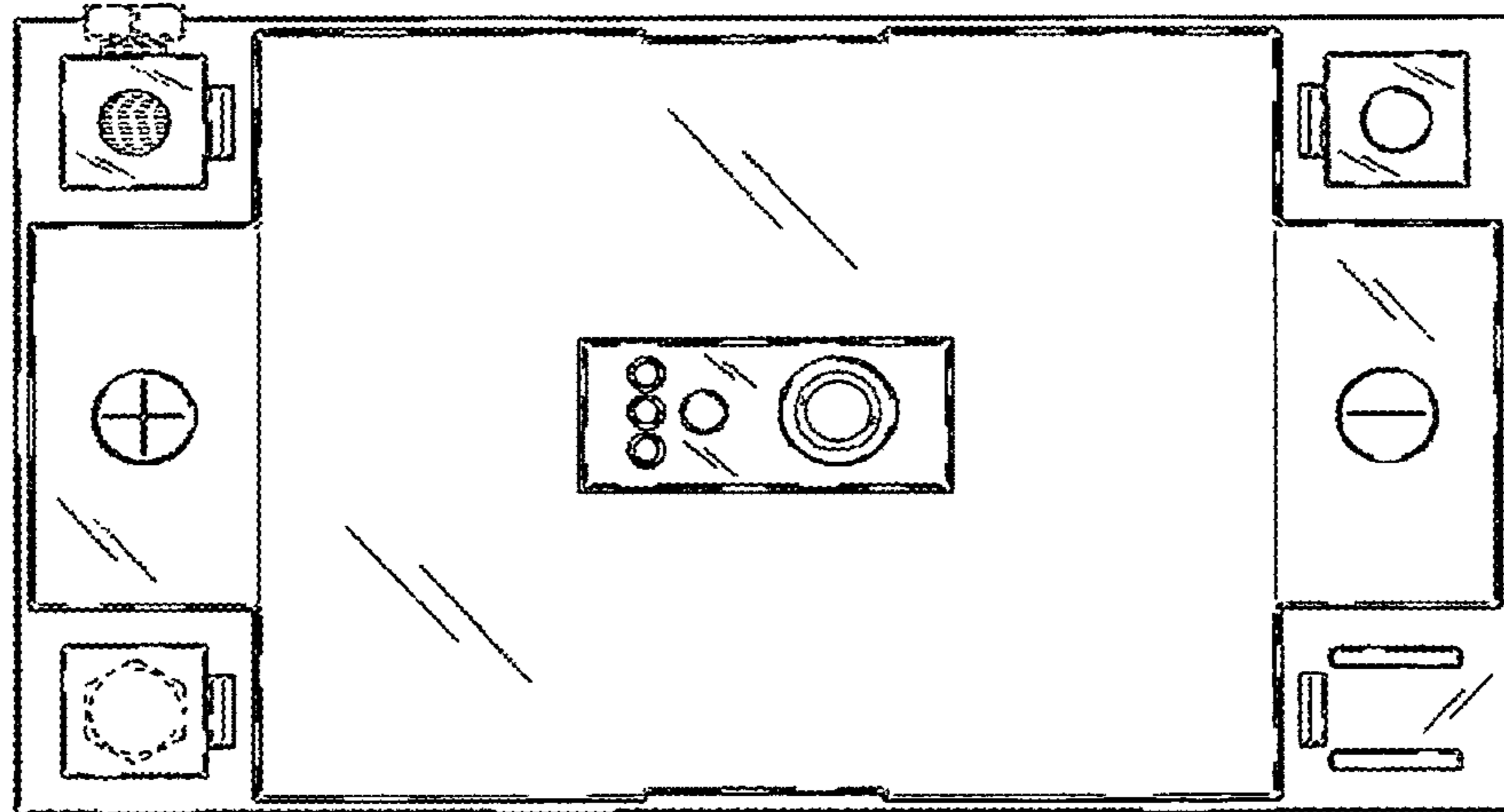
*Fig. 4*



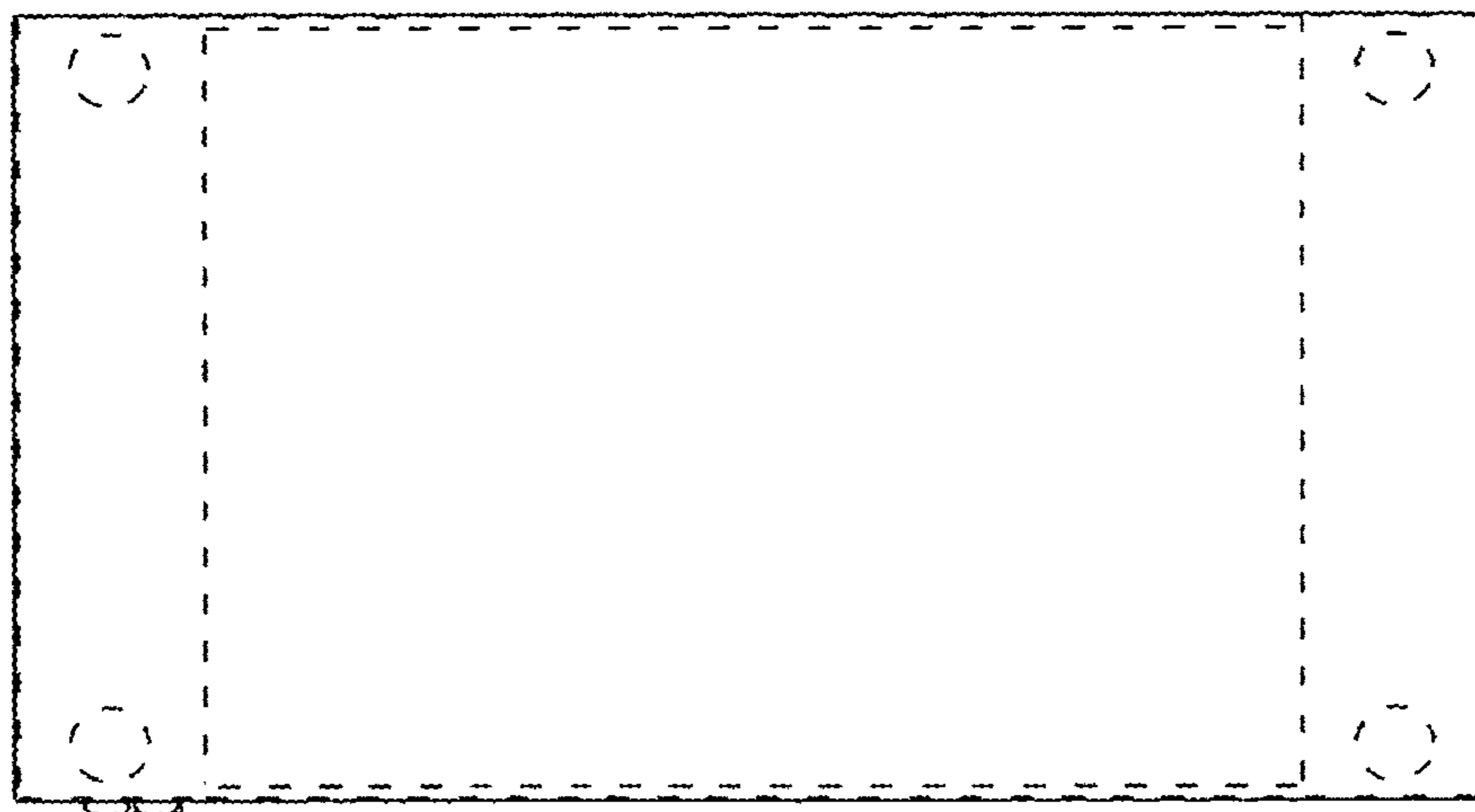
*Fig. 5*



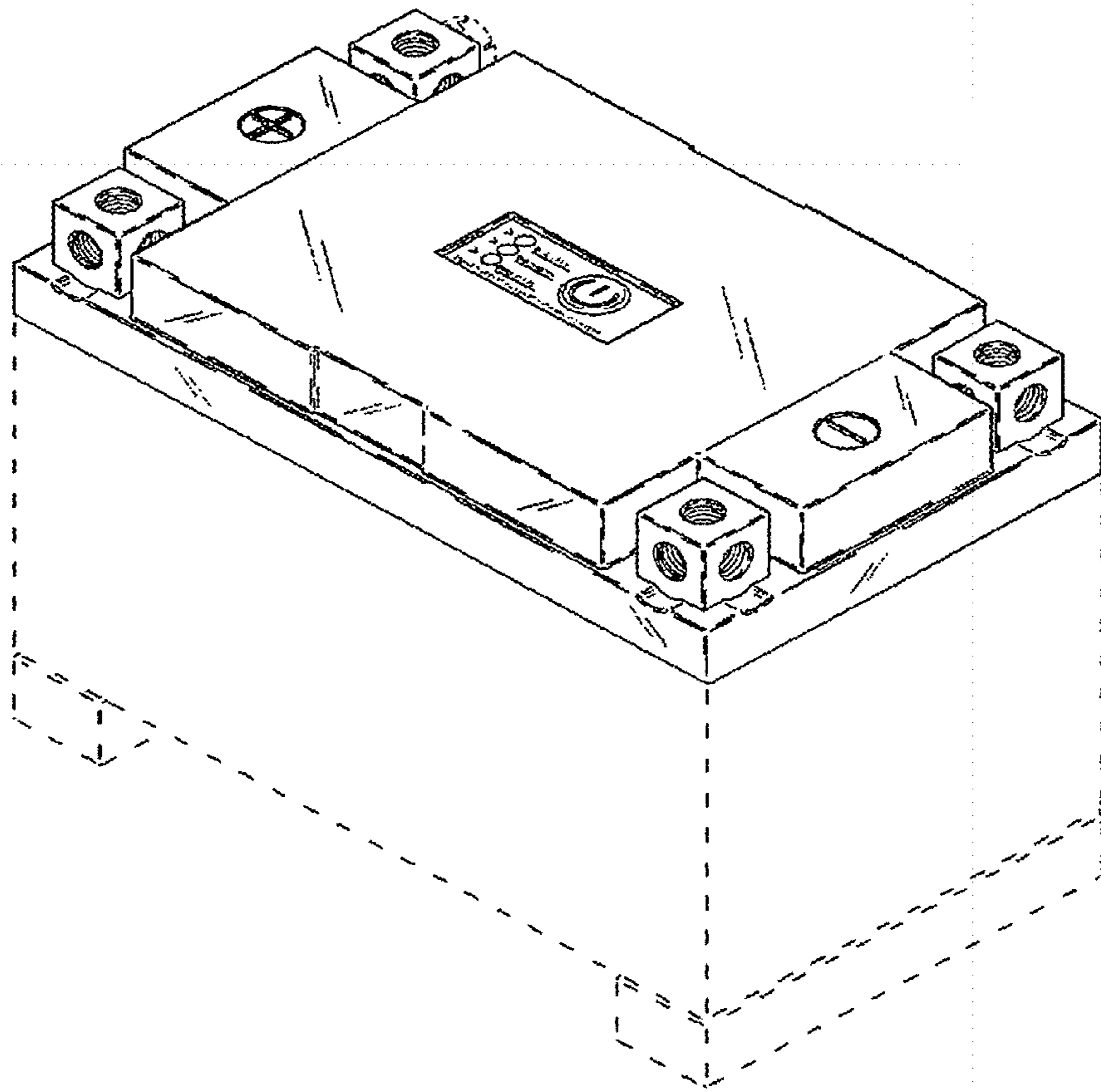
*Fig. 6*



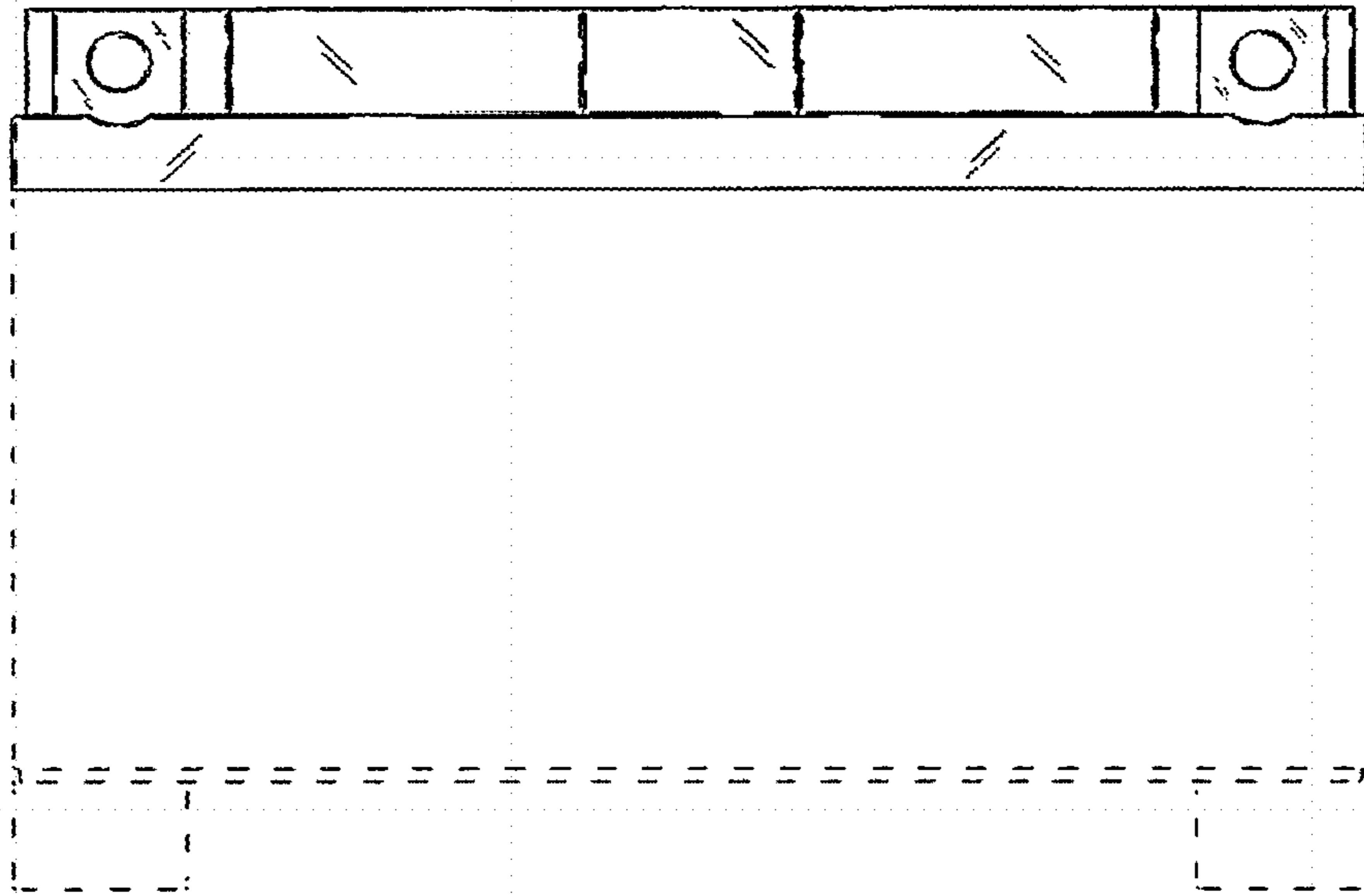
*Fig. 7*



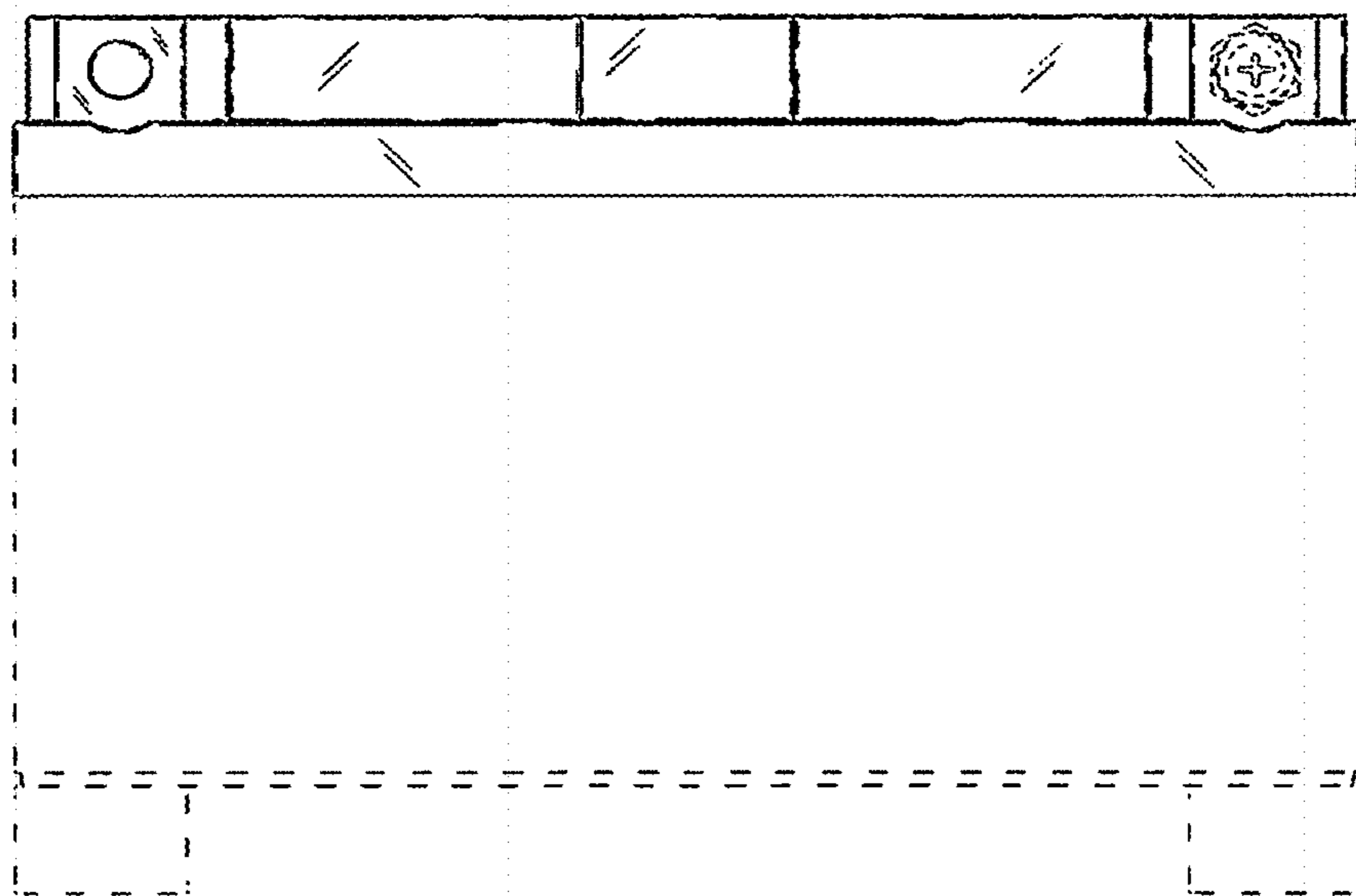
*Fig. 8*



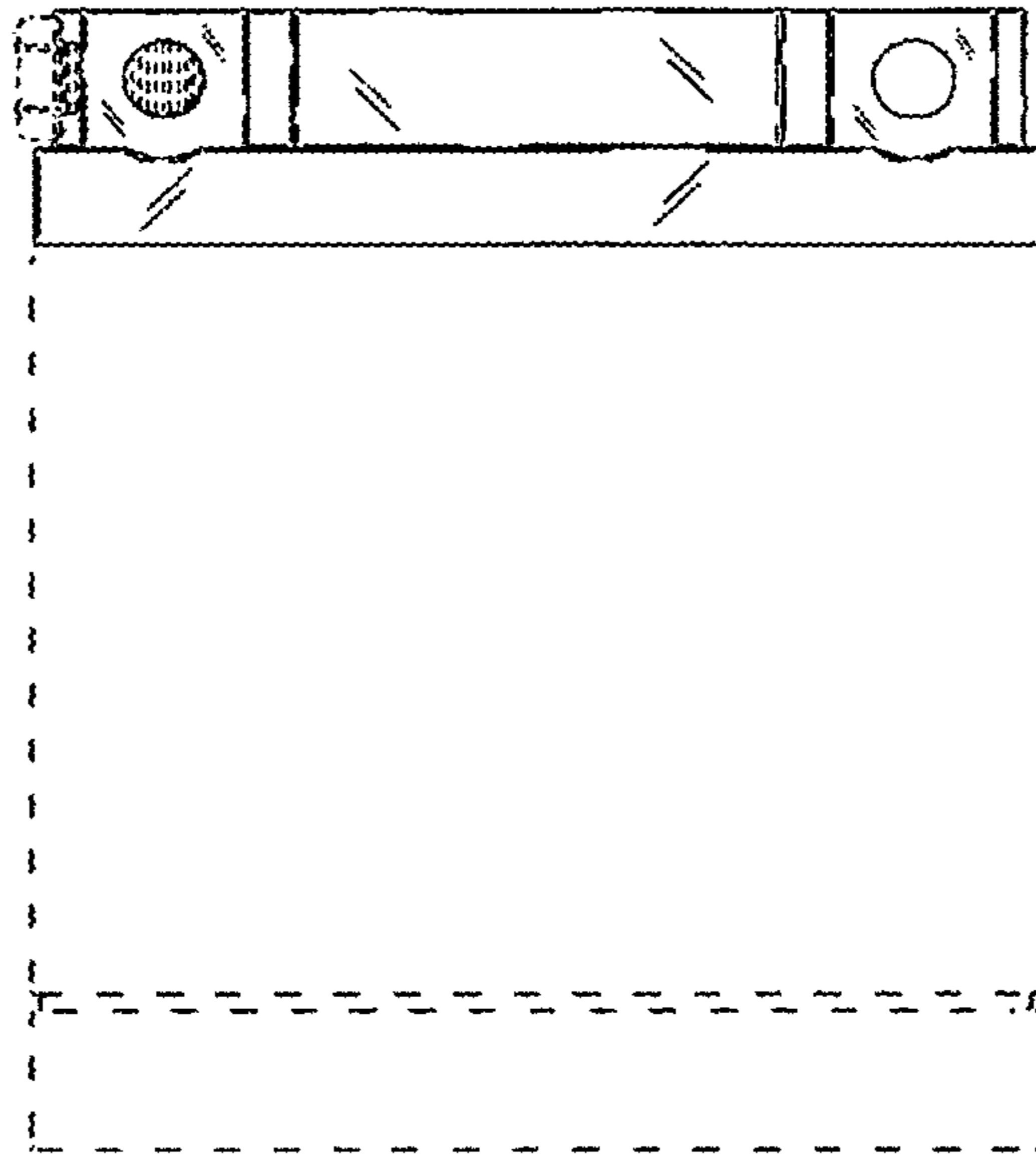
*Fig. 9*



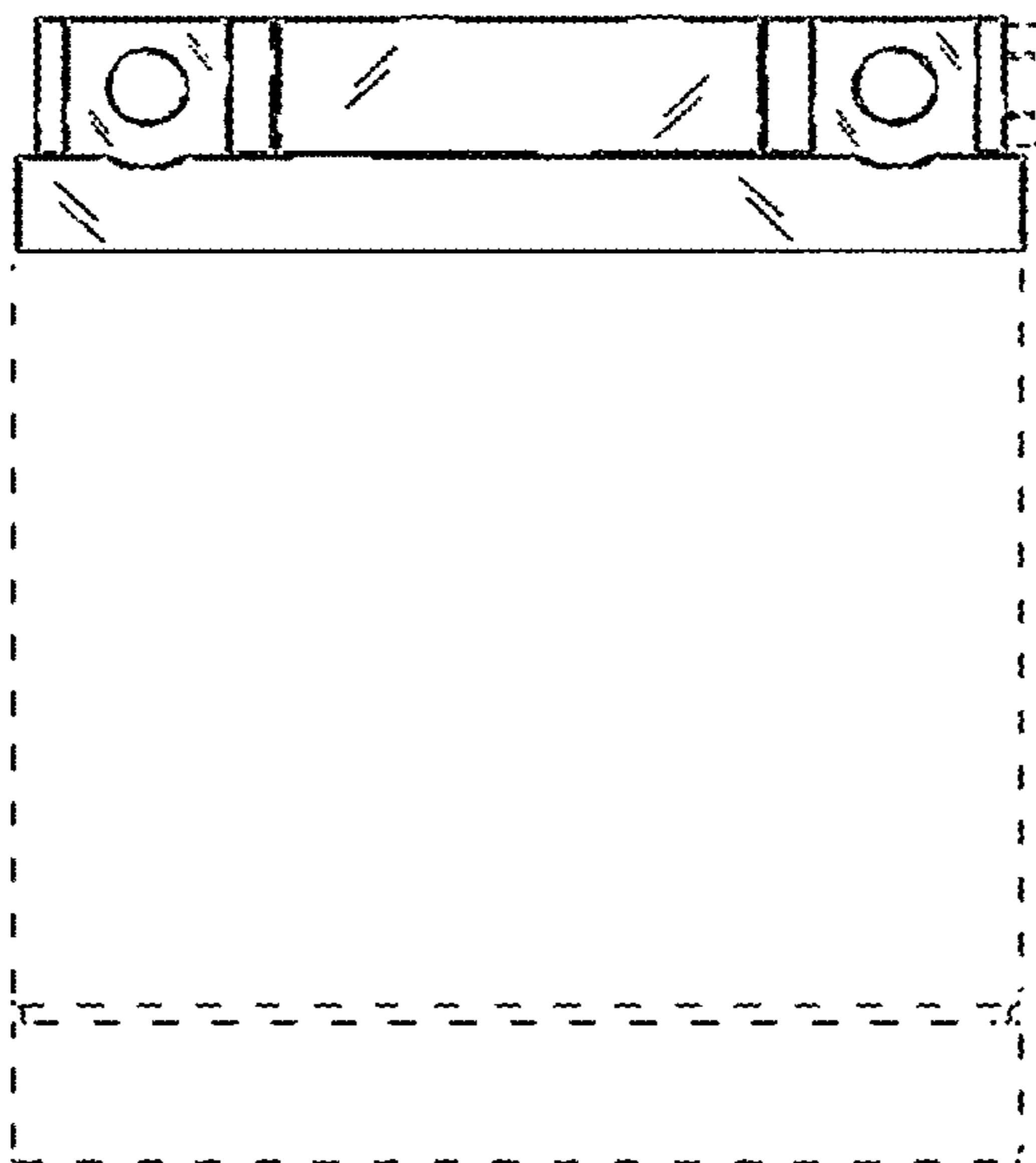
*Fig. 10*



*Fig. 11*

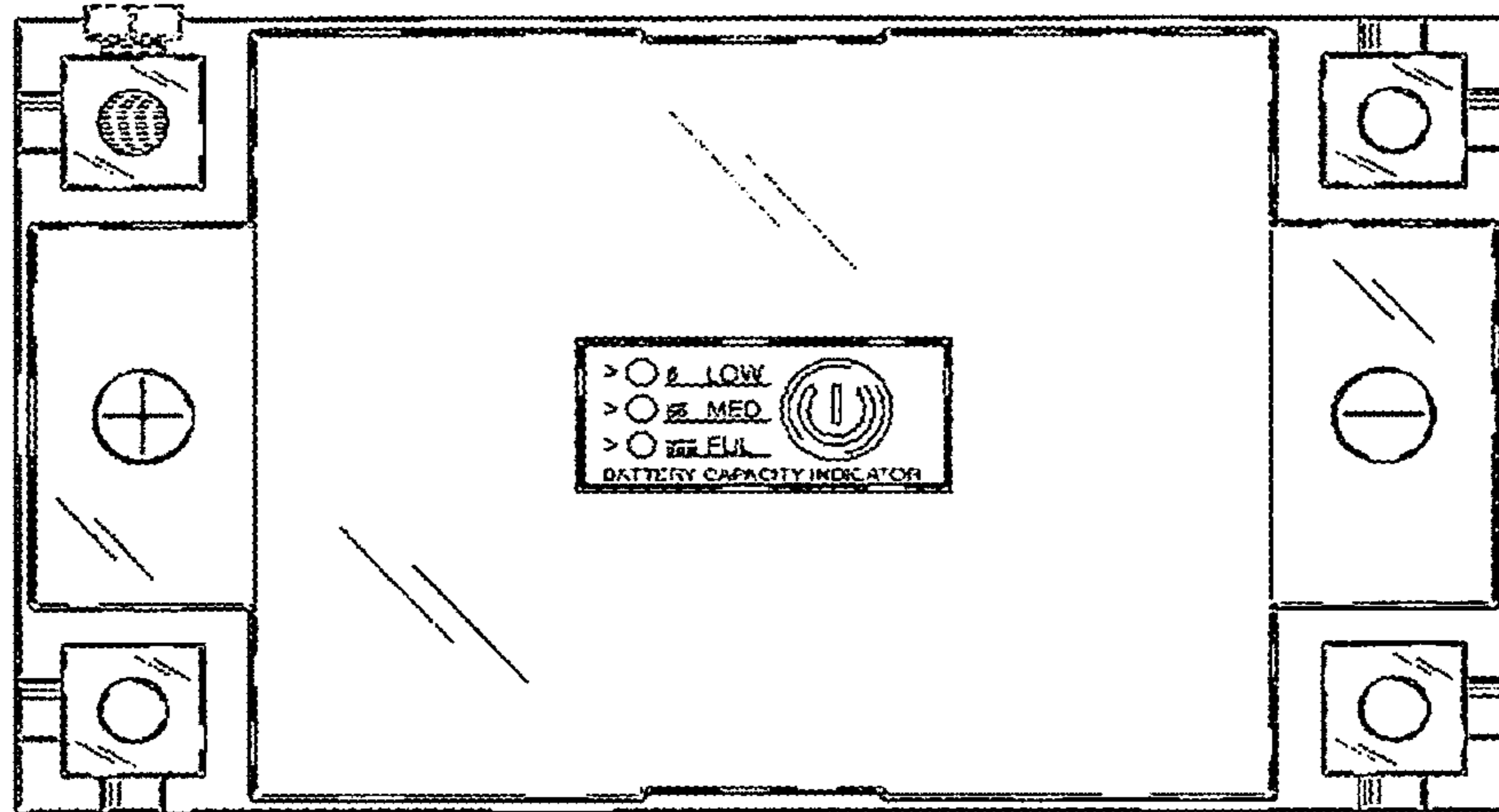


*Fig. 12*





*Fig. 13*



*Fig. 14*

