



US00D881810S

(12) **United States Design Patent**
Zhang

(10) **Patent No.:** **US D881,810 S**

(45) **Date of Patent:** **** Apr. 21, 2020**

(54) **BLUETOOTH HEADSET CHARGING CASE**

(71) Applicant: **Shenzhen Wireless Cloud Image Electronics Co., Ltd., Shenzhen (CN)**

(72) Inventor: **Yong Zhang, Tongling (CN)**

(**) Term: **15 Years**

(21) Appl. No.: **29/718,499**

(22) Filed: **Dec. 25, 2019**

(51) **LOC (12) Cl.** **13-02**

(52) **U.S. Cl.**
USPC **D13/108**

(58) **Field of Classification Search**
USPC D13/103, 107-108, 110, 118, 184, 199;
D14/251, 253, 432, 434; D3/201, 205,
D3/208, 218, 273, 274, 294, 295
CPC .. H02J 7/005; H02J 7/025; H02J 50/00; H02J
50/10; H02J 50/12; H02J 50/40; H02J
50/402; H02J 50/50; H02J 50/80
See application file for complete search history.

(56) **References Cited**

U.S. PATENT DOCUMENTS

D404,917 S *	2/1999	Miller	D3/273
D506,065 S *	6/2005	Sugino	D13/103
D543,935 S *	6/2007	Ke	D13/107
D552,539 S *	10/2007	Choi	D13/108
D553,077 S *	10/2007	Kim	D13/108
D572,654 S *	7/2008	Kang	D13/107
D572,655 S *	7/2008	Osiecki	D13/107
D740,223 S *	10/2015	Yoneta	D13/108
D806,648 S *	1/2018	Beedham	D13/107
D823,246 S *	7/2018	Lin	
D826,152 S *	8/2018	Christiansen	D13/108

D829,168 S *	9/2018	Massee	D13/108
D832,208 S *	10/2018	Grois	D13/108
D841,580 S *	2/2019	Bao	D13/108
D841,581 S *	2/2019	Bonahoom	D13/108
D843,937 S	3/2019	Xiao	
D849,401 S *	5/2019	Akana	D3/274
D851,035 S *	6/2019	Hong	D13/108
D864,110 S *	10/2019	Yoshimura	D13/108
D865,663 S	11/2019	Yao	
D873,217 S *	1/2020	Zhang	D13/108
10,530,176 B2 *	1/2020	Green	H02J 7/025

* cited by examiner

Primary Examiner — Rosemary K Tarca

(74) *Attorney, Agent, or Firm* — HYIP

(57) **CLAIM**

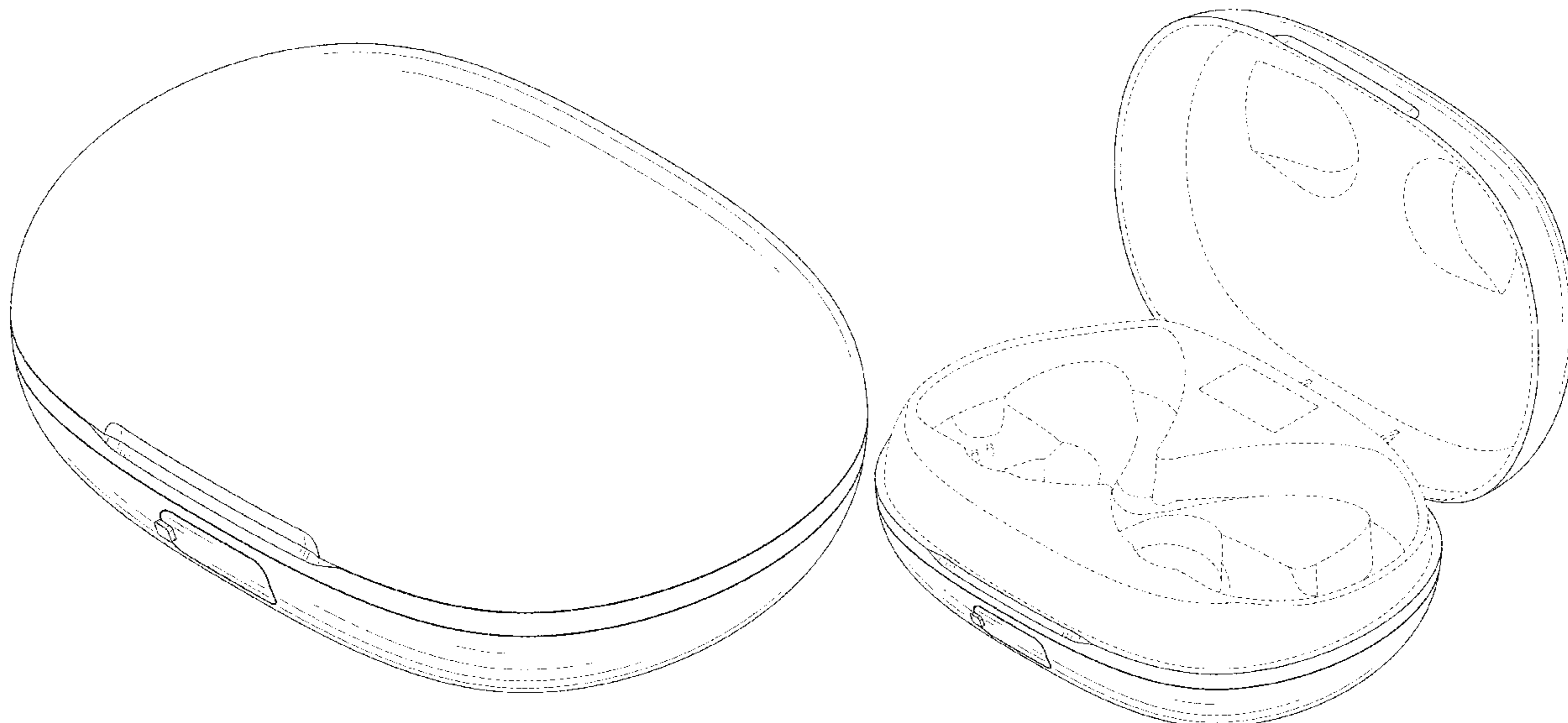
The ornamental design for a bluetooth headset charging case, as shown and described.

DESCRIPTION

FIG. 1 is a first perspective view of a bluetooth headset charging case showing my new design; FIG. 2 is a second perspective view thereof; FIG. 3 is a front view thereof; FIG. 4 is a back view thereof; FIG. 5 is a left side view thereof; FIG. 6 is a right side view thereof; FIG. 7 is a top view thereof; FIG. 8 is a bottom view thereof; and, FIG. 9 is a perspective view of another state of the bluetooth headset charging case thereof.

The broken lines shown in the drawings depict portions of the bluetooth headset charging case in which the design is embodied that form no part of the claimed design.

1 Claim, 9 Drawing Sheets



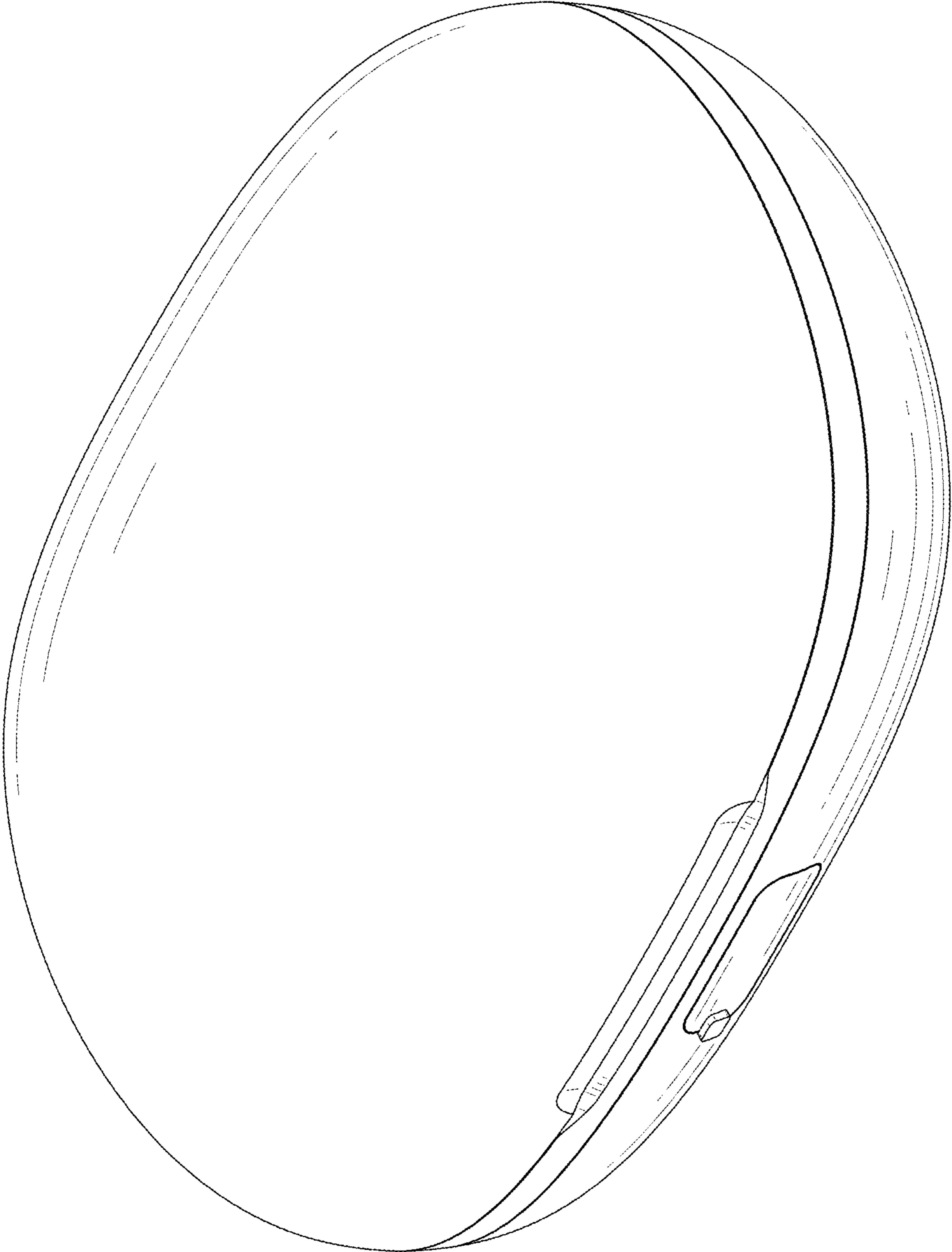


FIG. 1

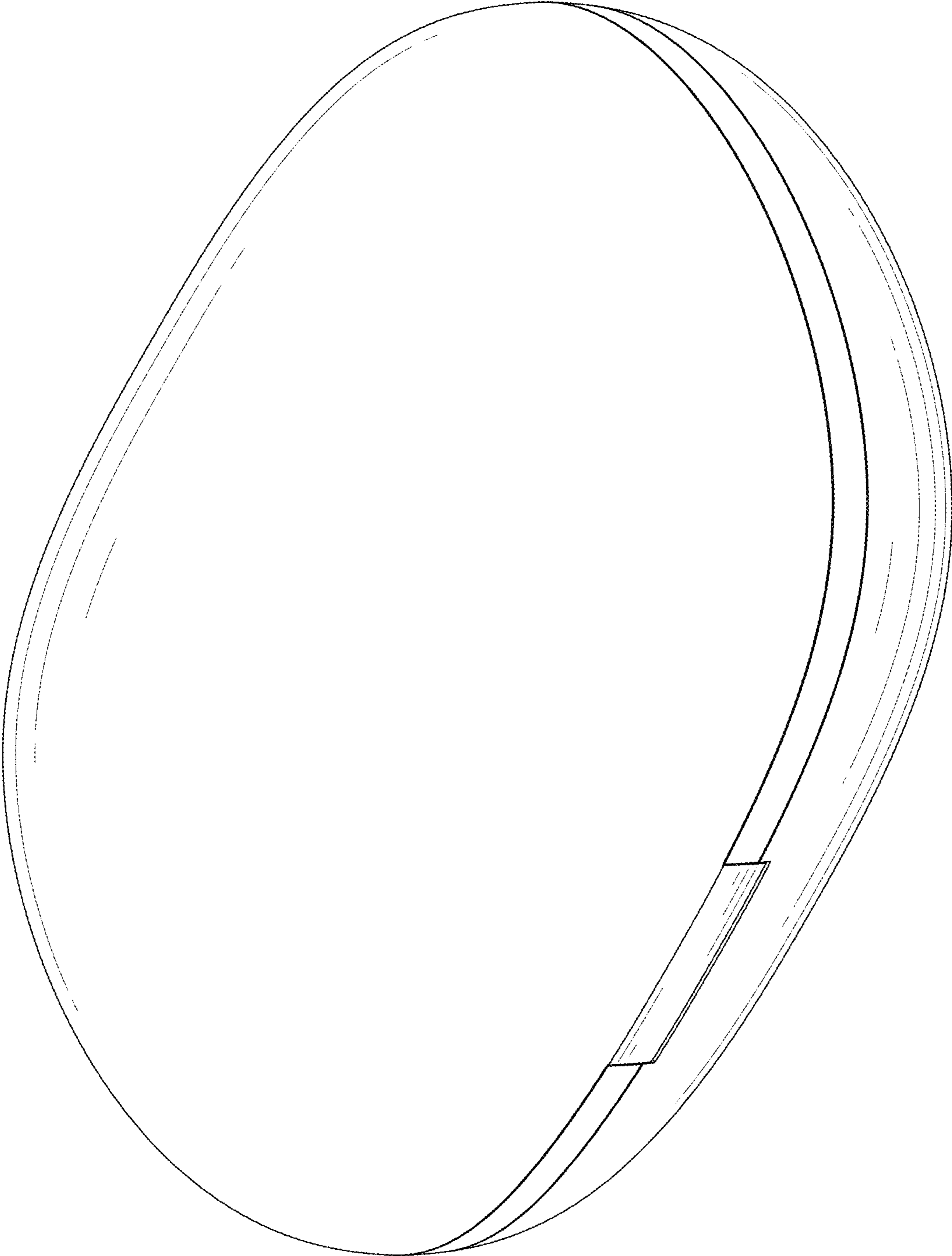


FIG. 2

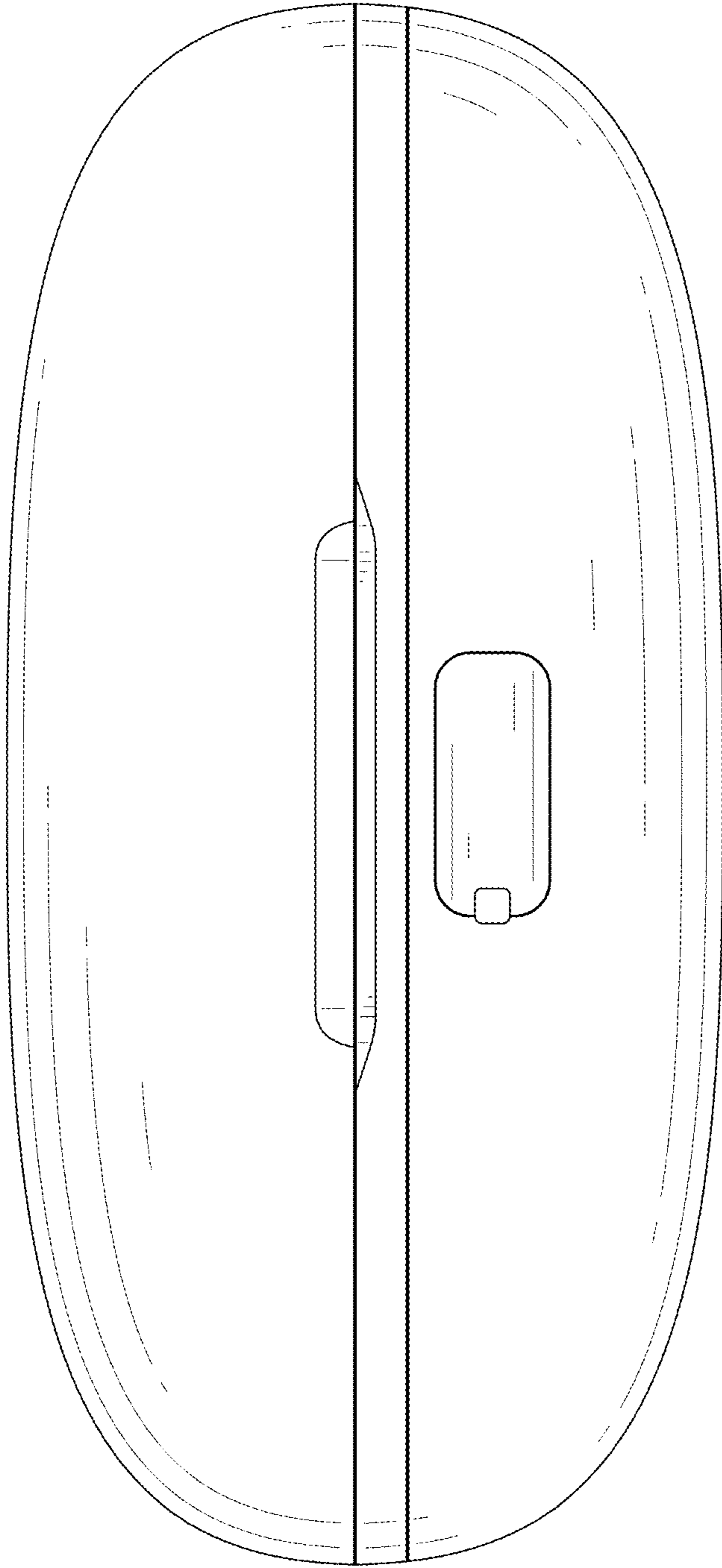


FIG. 3

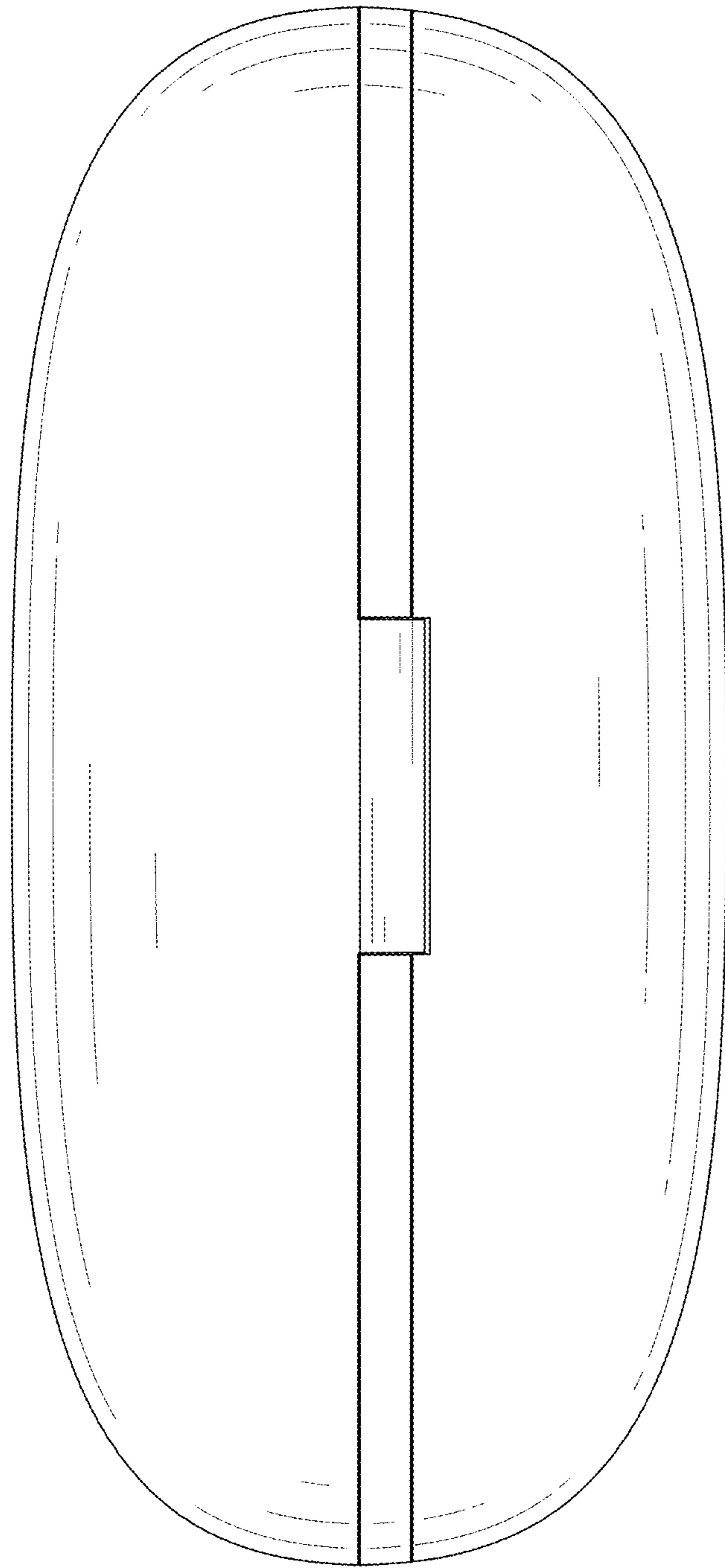


FIG. 4

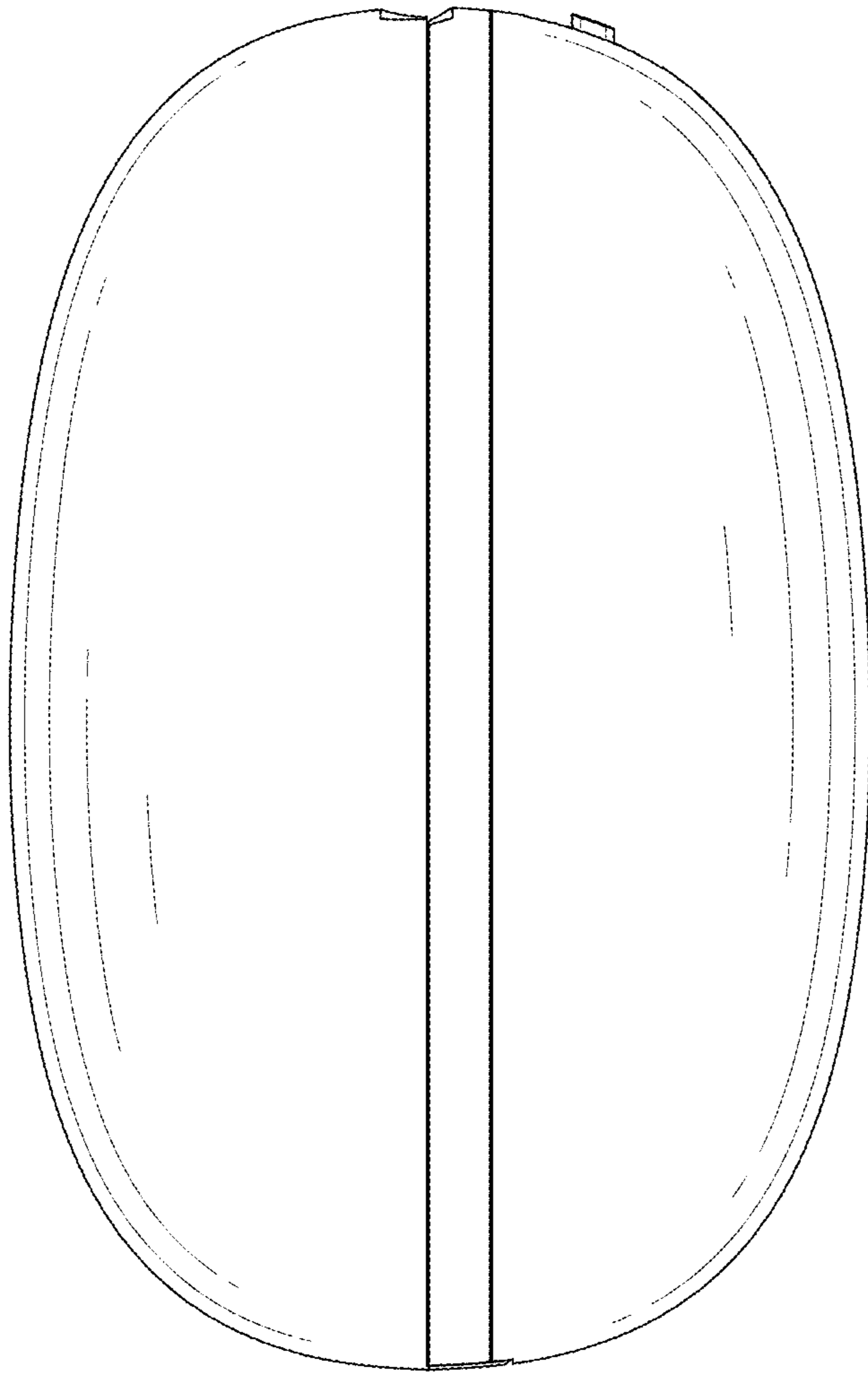


FIG. 5

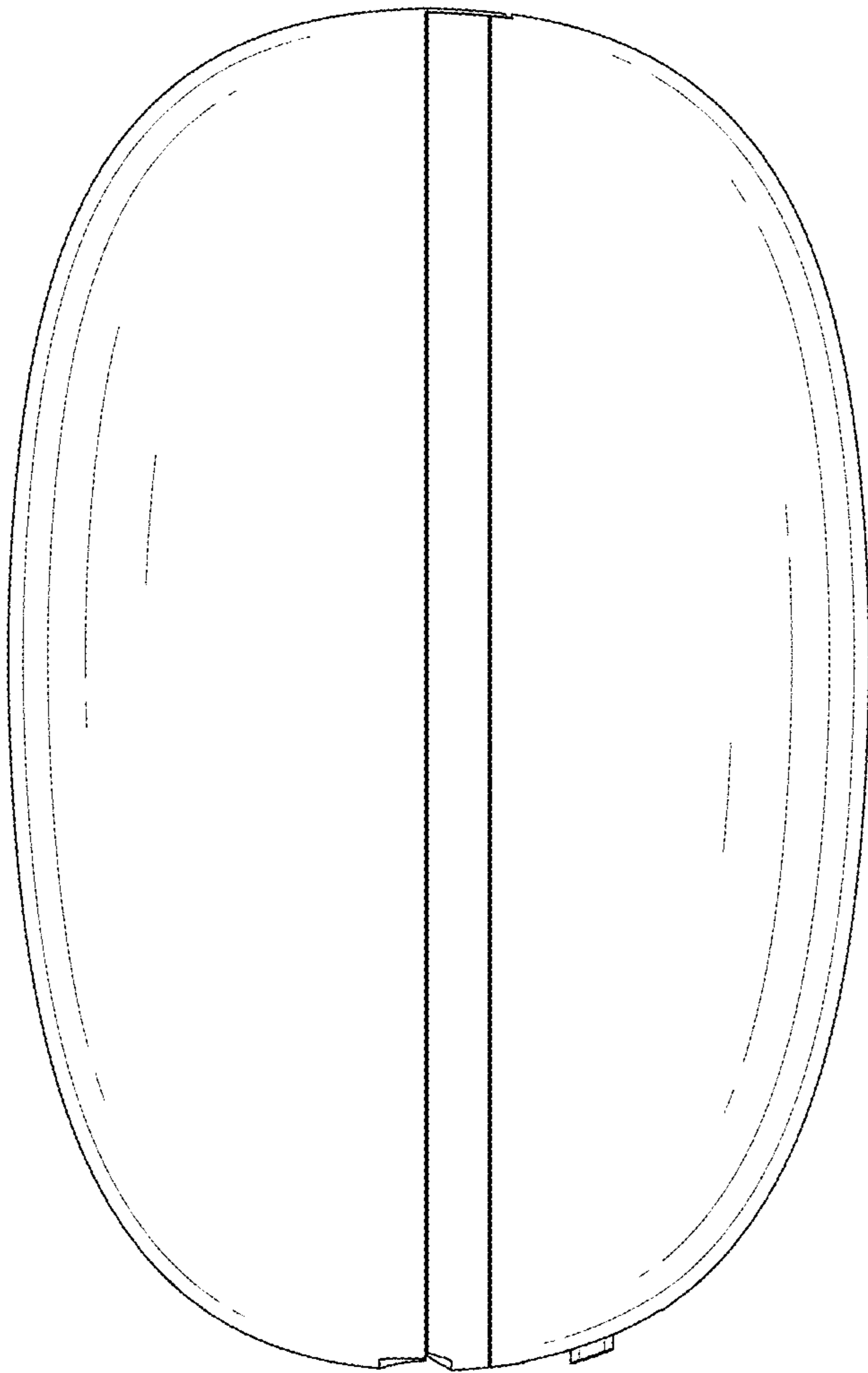


FIG. 6

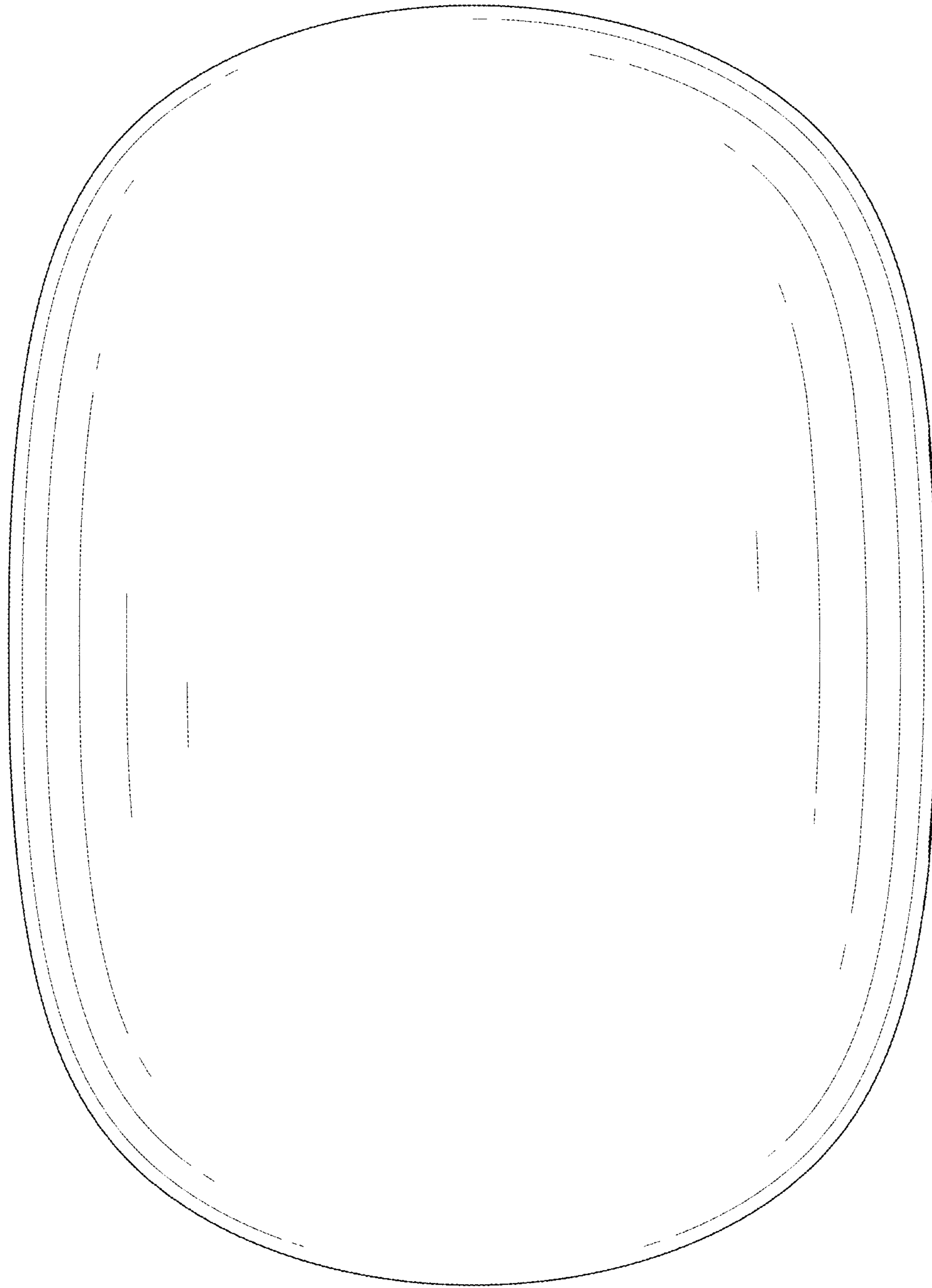


FIG. 7

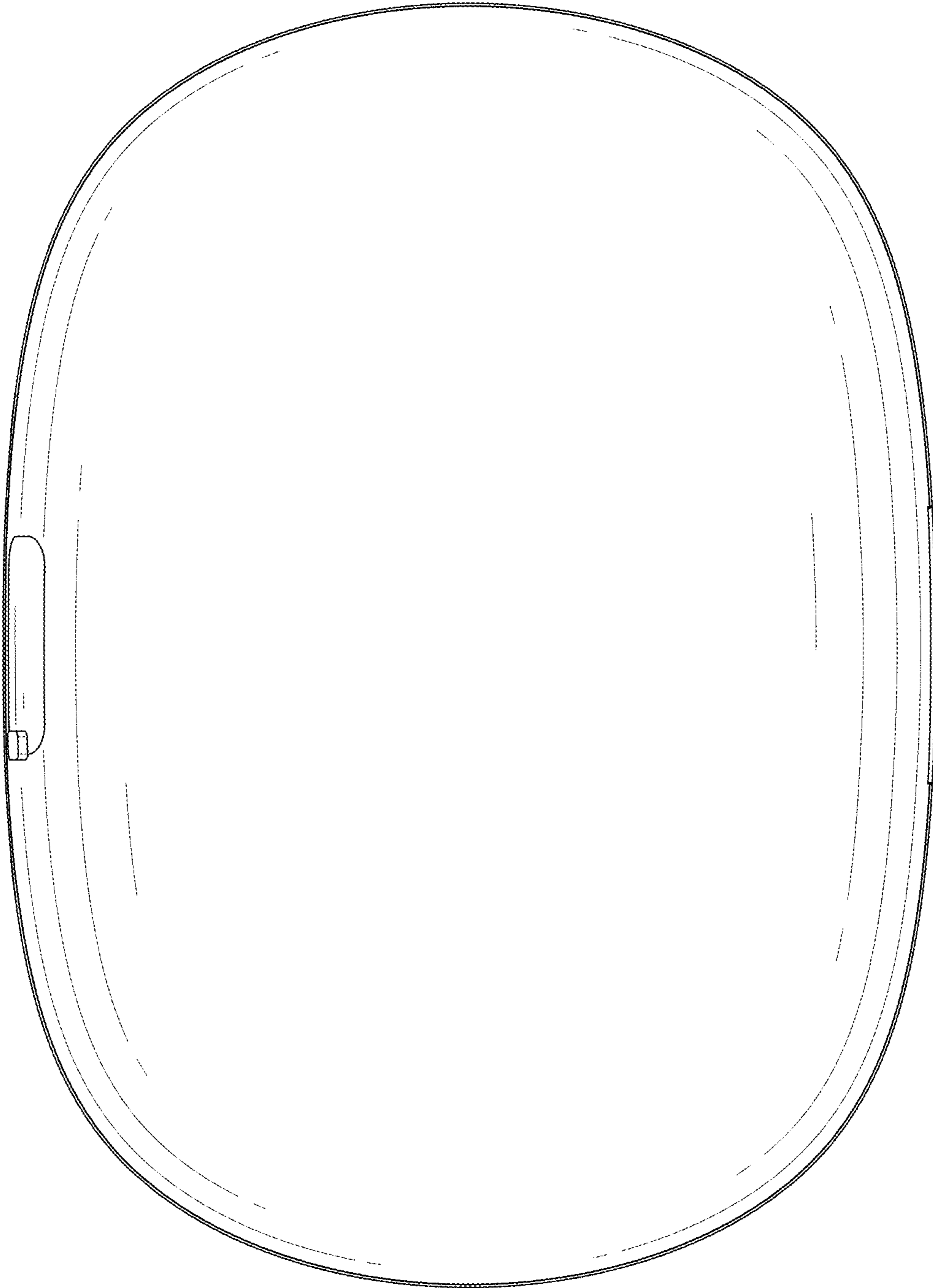


FIG. 8

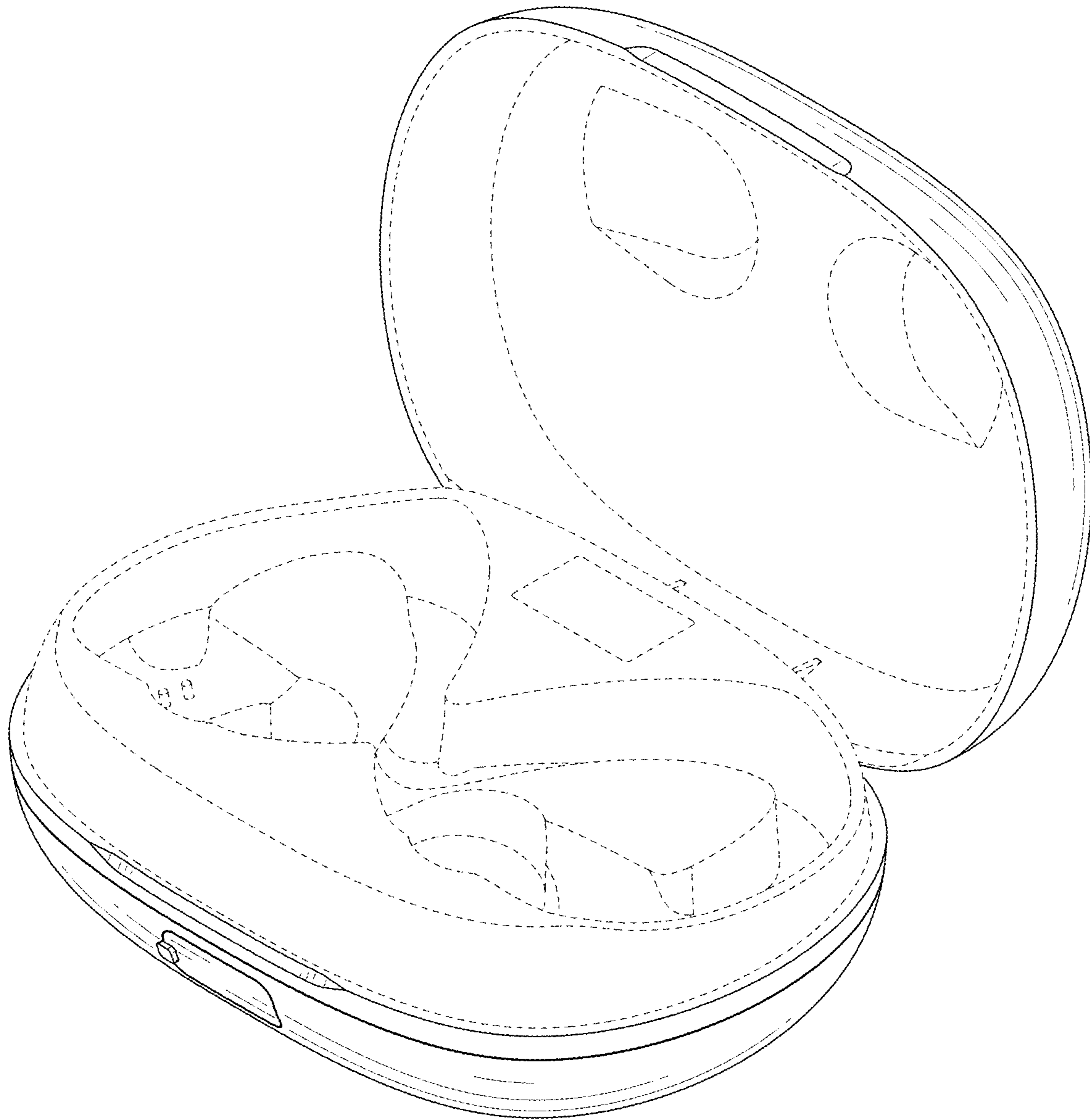


FIG. 9