



US00D881809S

(12) **United States Design Patent**
Lyu

(10) **Patent No.:** **US D881,809 S**

(45) **Date of Patent:** **** Apr. 21, 2020**

- (54) **WALL CHARGER ADAPTER**
- (71) Applicant: **Shaopeng Lyu**, Shantou (CN)
- (72) Inventor: **Shaopeng Lyu**, Shantou (CN)
- (**) Term: **15 Years**
- (21) Appl. No.: **29/715,508**
- (22) Filed: **Dec. 3, 2019**
- (51) **LOC (12) Cl.** **13-02**
- (52) **U.S. Cl.**
USPC **D13/108**; D13/137.2
- (58) **Field of Classification Search**
USPC D13/103, 107–108, 110, 118, 184, 199,
D13/137.1–137.3, 138.1, 138.2
CPC H02J 7/02; H02J 7/0013; H02J 7/0021;
H02J 7/0022; H02J 7/0026; H02J 7/0027;
H02J 7/0042; H02J 7/0044; H02J 7/0045;
H02J 7/0003; H01M 10/44; H01M
10/441; H01R 13/648; H01R 13/652;
H01R 13/6675
See application file for complete search history.

(56) **References Cited**

U.S. PATENT DOCUMENTS

D549,175 S	*	8/2007	Slasinski	D13/137.1
D559,782 S	*	1/2008	Slasinski	D13/137.1
D564,965 S	*	3/2008	Martinez	D13/137.2
D581,870 S	*	12/2008	Zhou	D13/137.2
D605,603 S		12/2009	Mo		
D643,367 S		8/2011	Castleberry		
D651,974 S	*	1/2012	Benedetti	D13/137.2
D694,706 S	*	12/2013	Kuo	D13/108

D713,788 S	*	9/2014	Hasegawa	D13/110
D734,253 S	*	7/2015	Tinaphong	H01R 13/70 D13/108
D775,078 S		12/2016	Peng		
D807,828 S	*	1/2018	Xu	D13/137.2
D814,420 S	*	4/2018	Chen	D13/137.2
D836,542 S	*	12/2018	Xu	D13/107
D843,943 S	*	3/2019	Yang	D13/137.2
D860,948 S	*	9/2019	Wang	D13/137.2
D870,037 S	*	12/2019	Lee	D13/107
10,522,959 B2	*	12/2019	Messinger	H02J 7/007

* cited by examiner

Primary Examiner — Rosemary K Tarcaza

(74) *Attorney, Agent, or Firm* — HYIP

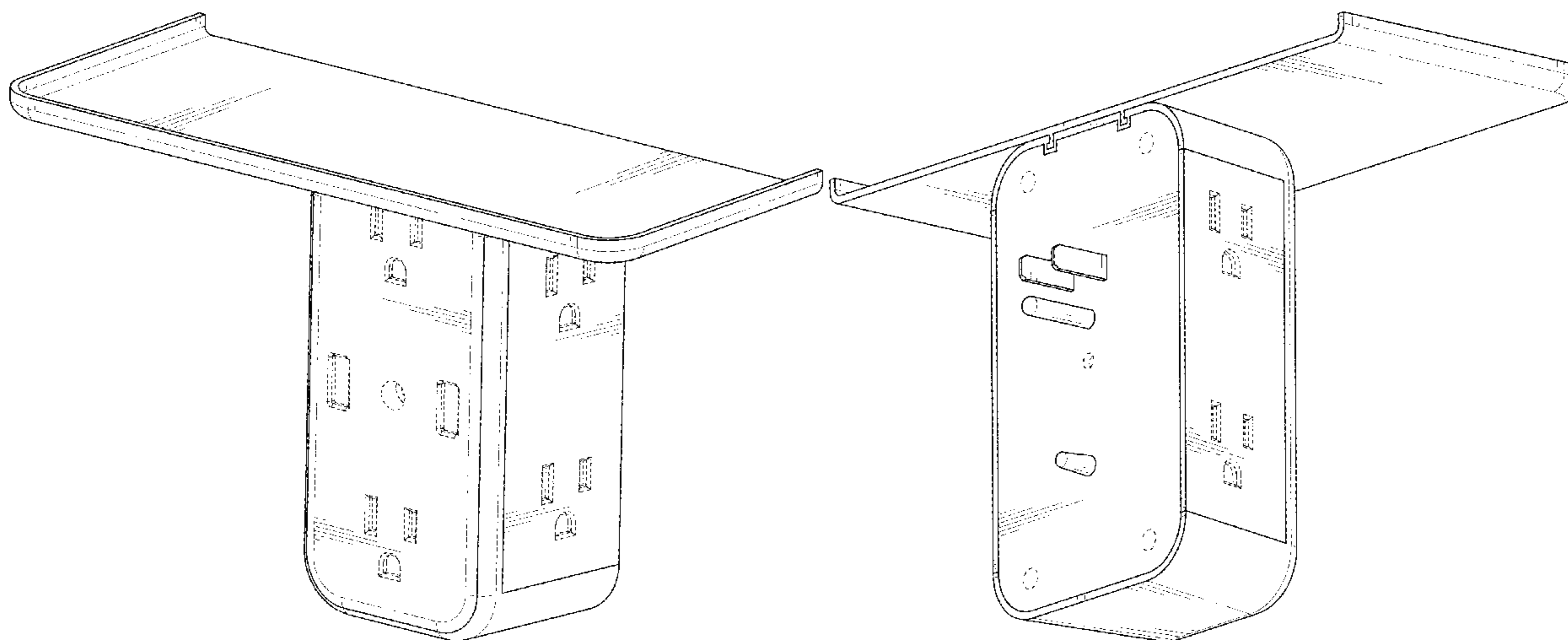
(57) **CLAIM**

The ornamental design for a wall charger adapter, as shown and described.

DESCRIPTION

FIG. 1 is a first perspective view of a wall charger adapter showing my new design;
 FIG. 2 is a second perspective view thereof;
 FIG. 3 is a front view thereof;
 FIG. 4 is a back view thereof;
 FIG. 5 is a left side view thereof;
 FIG. 6 is a right side view thereof;
 FIG. 7 is a top view thereof;
 FIG. 8 is a bottom view thereof; and,
 FIG. 9 is an exploded perspective view thereof.
 The broken lines shown in the drawings depict portions of the wall charger adapter in which the design is embodied that form no part of the claimed design.

1 Claim, 9 Drawing Sheets



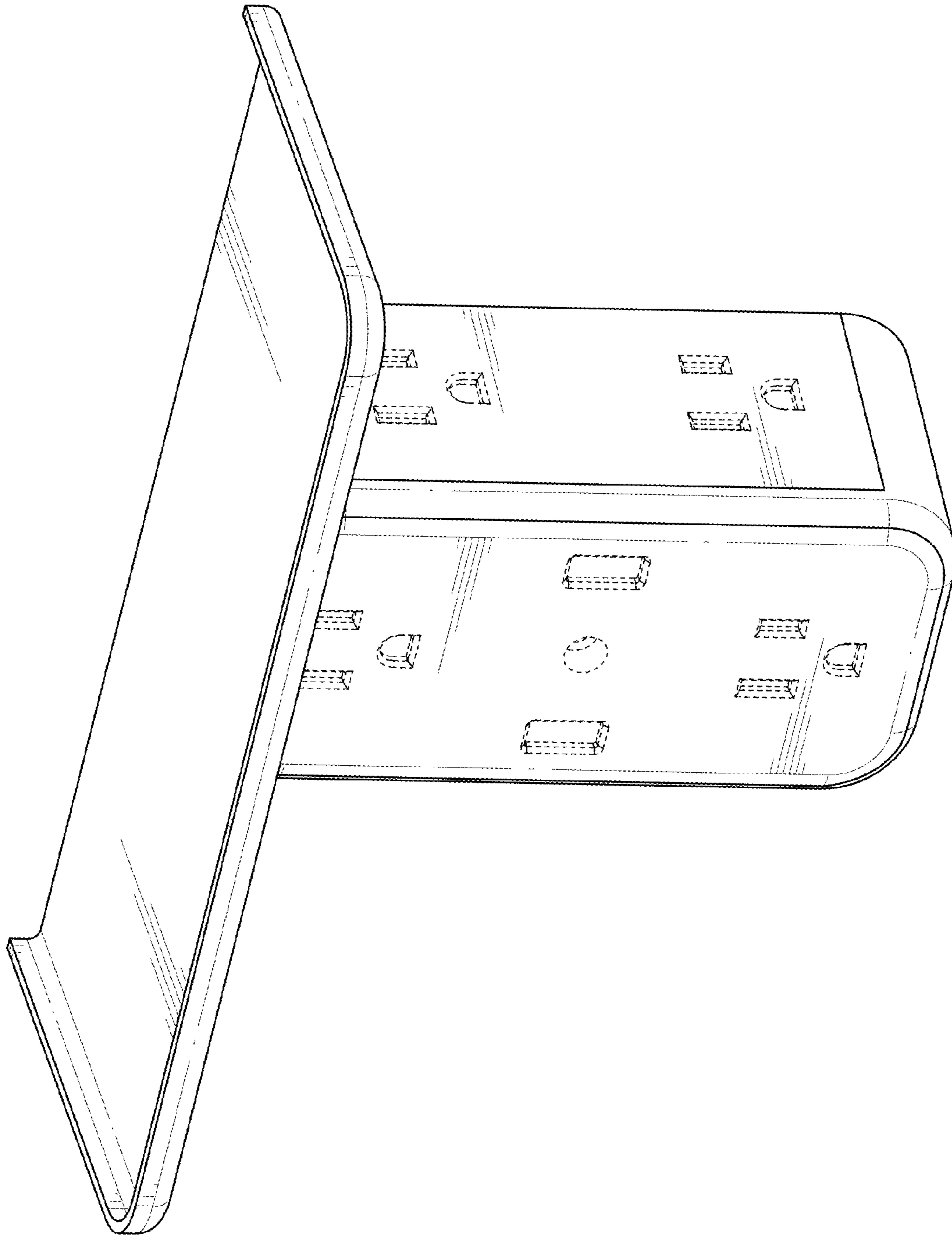


FIG. 1

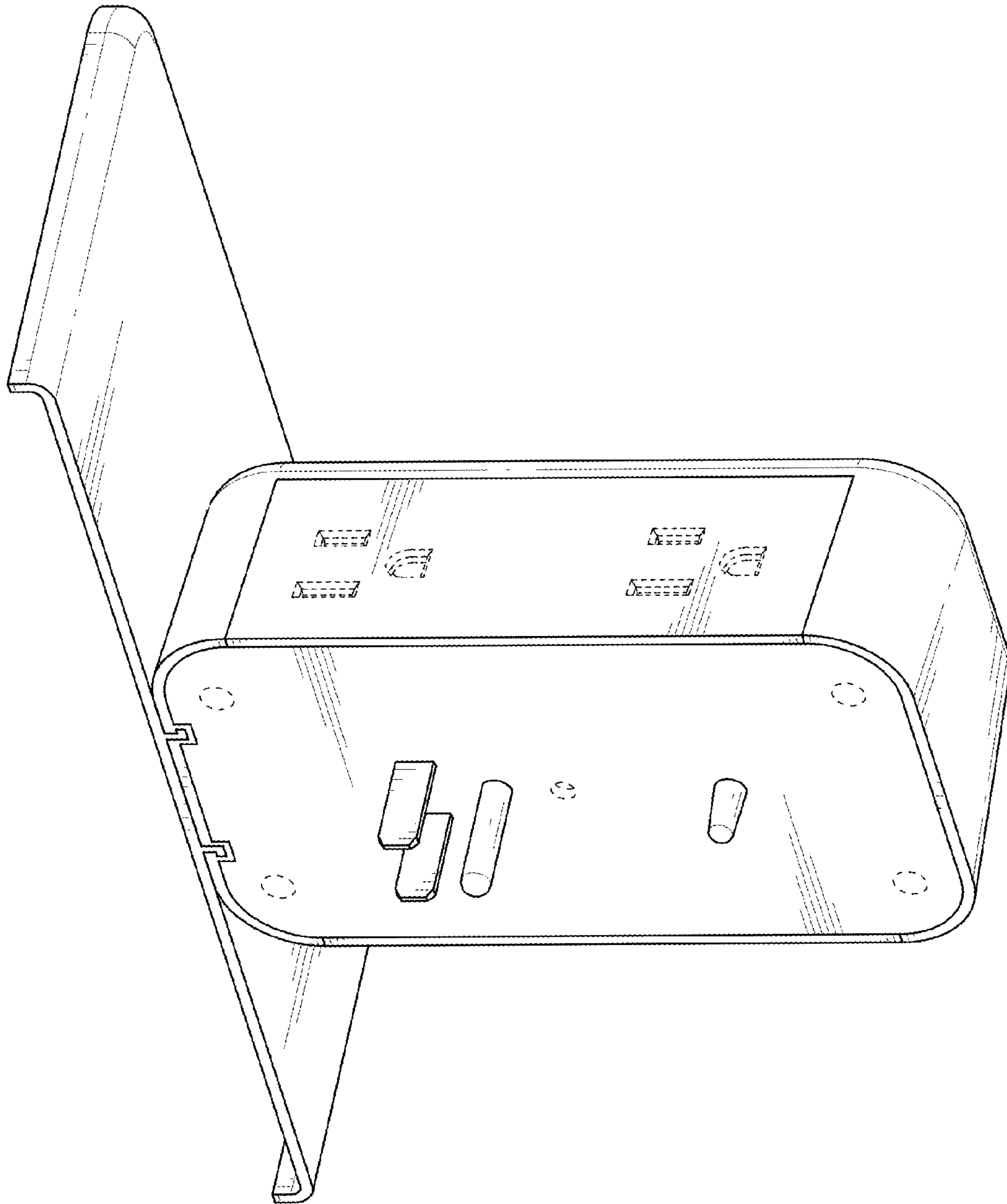


FIG. 2

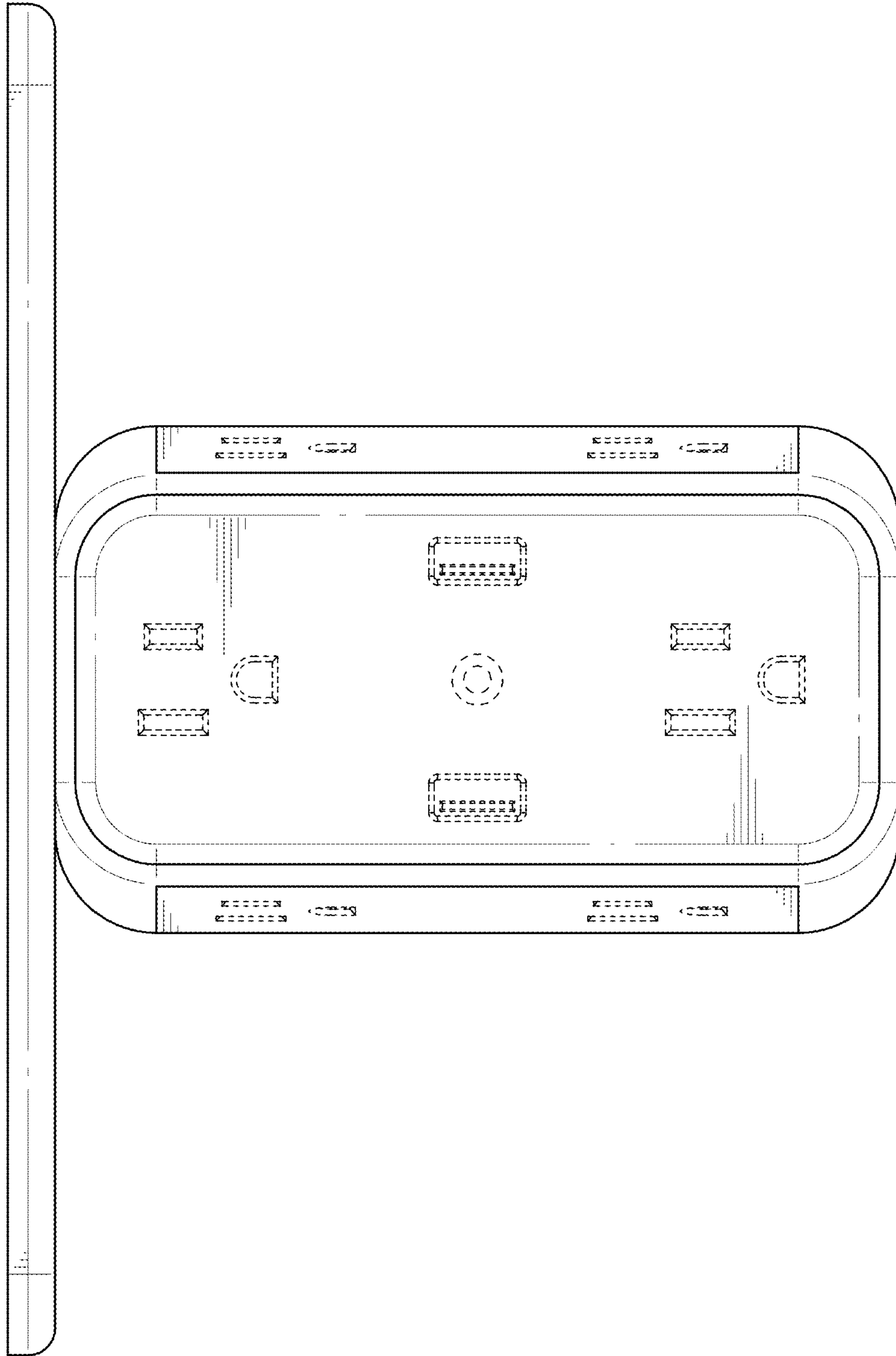


FIG. 3

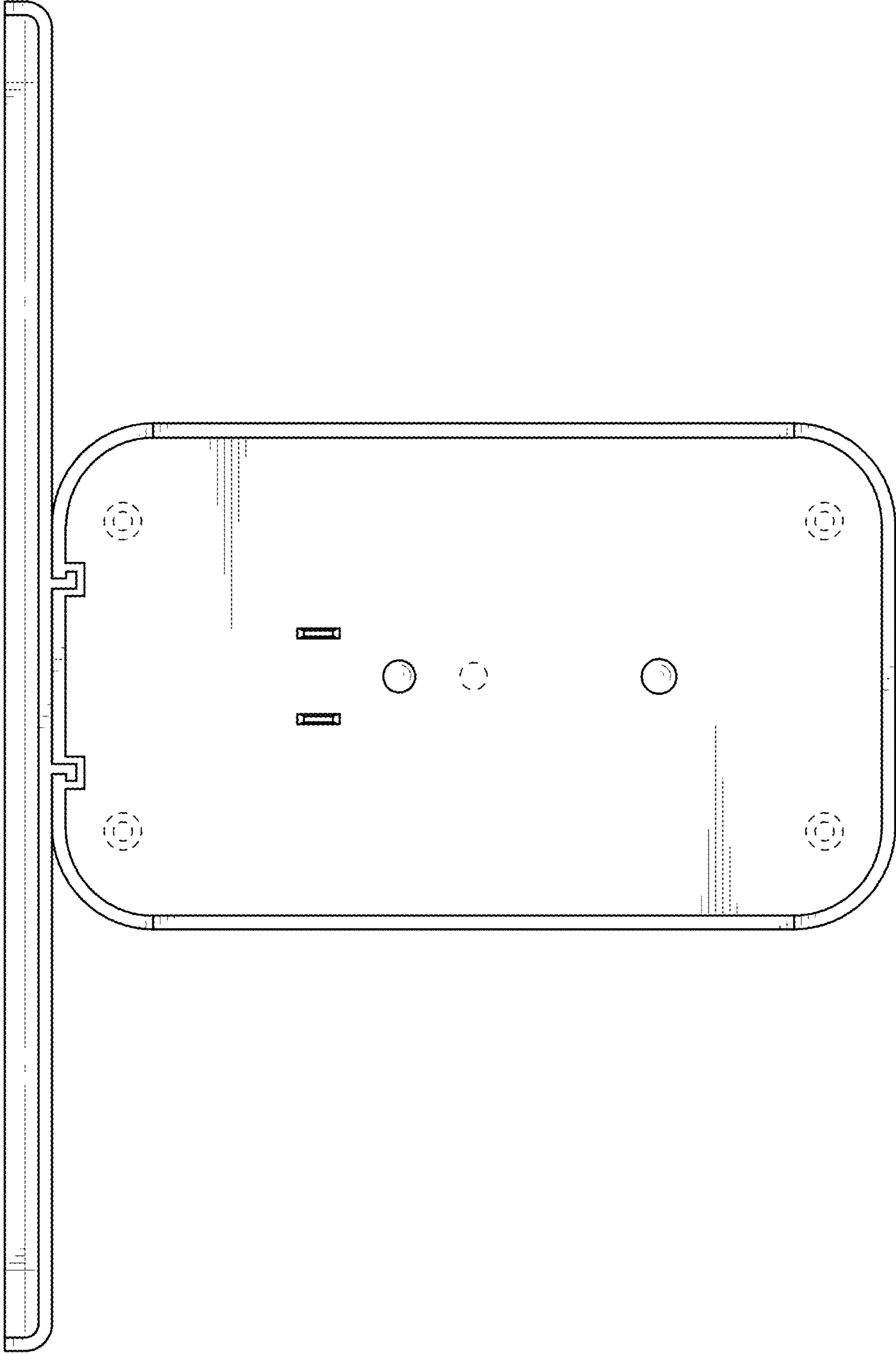


FIG. 4

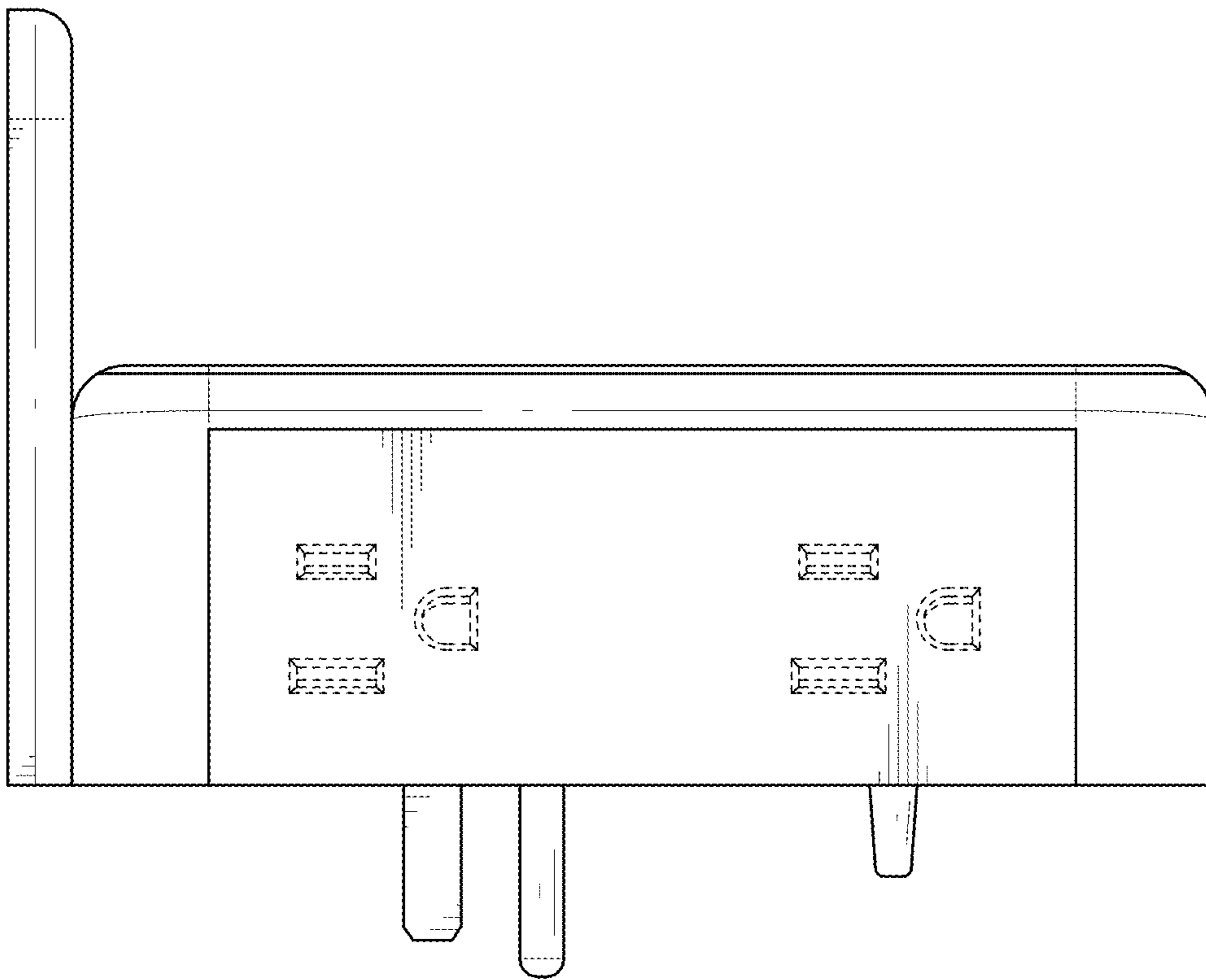


FIG. 5

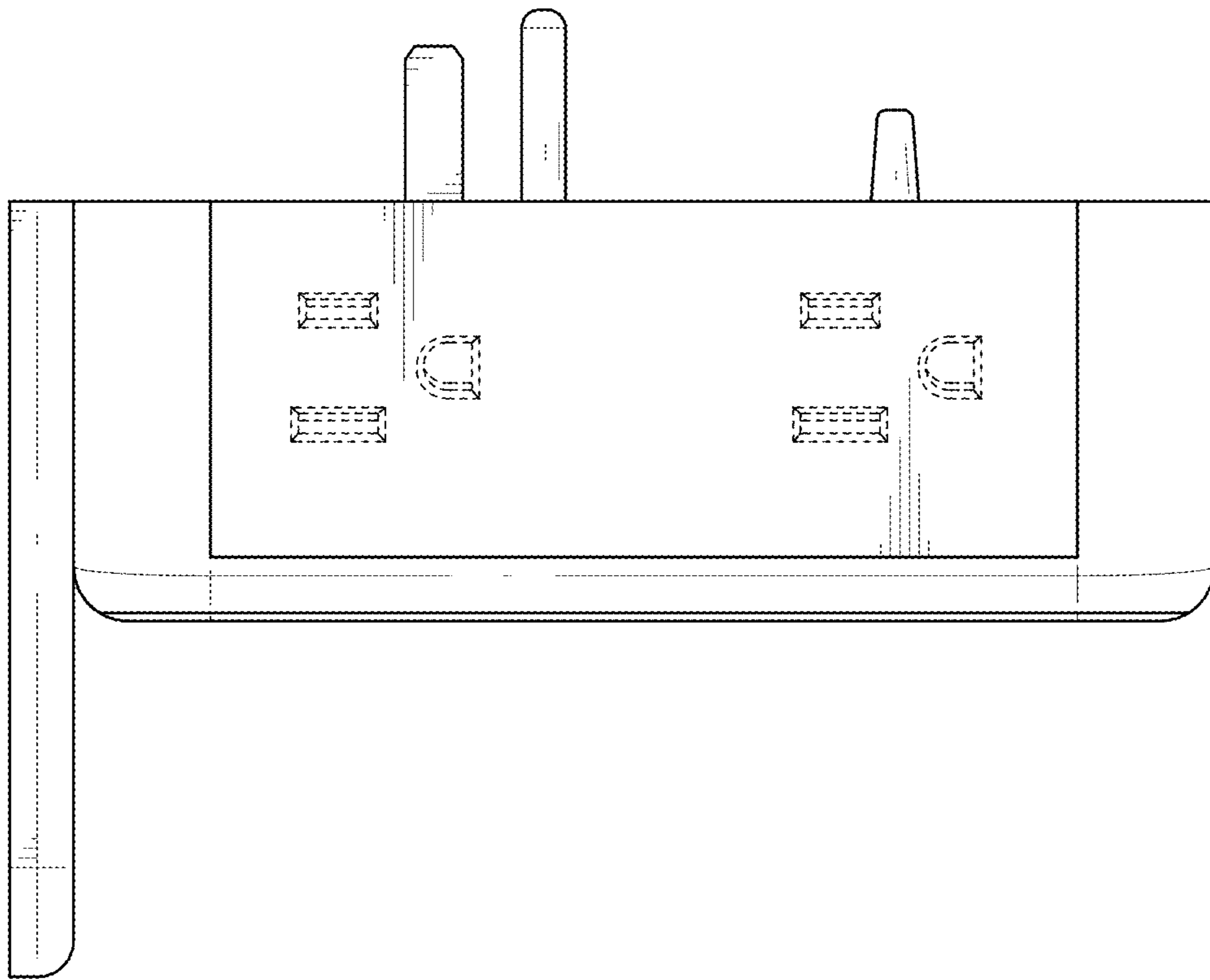


FIG. 6

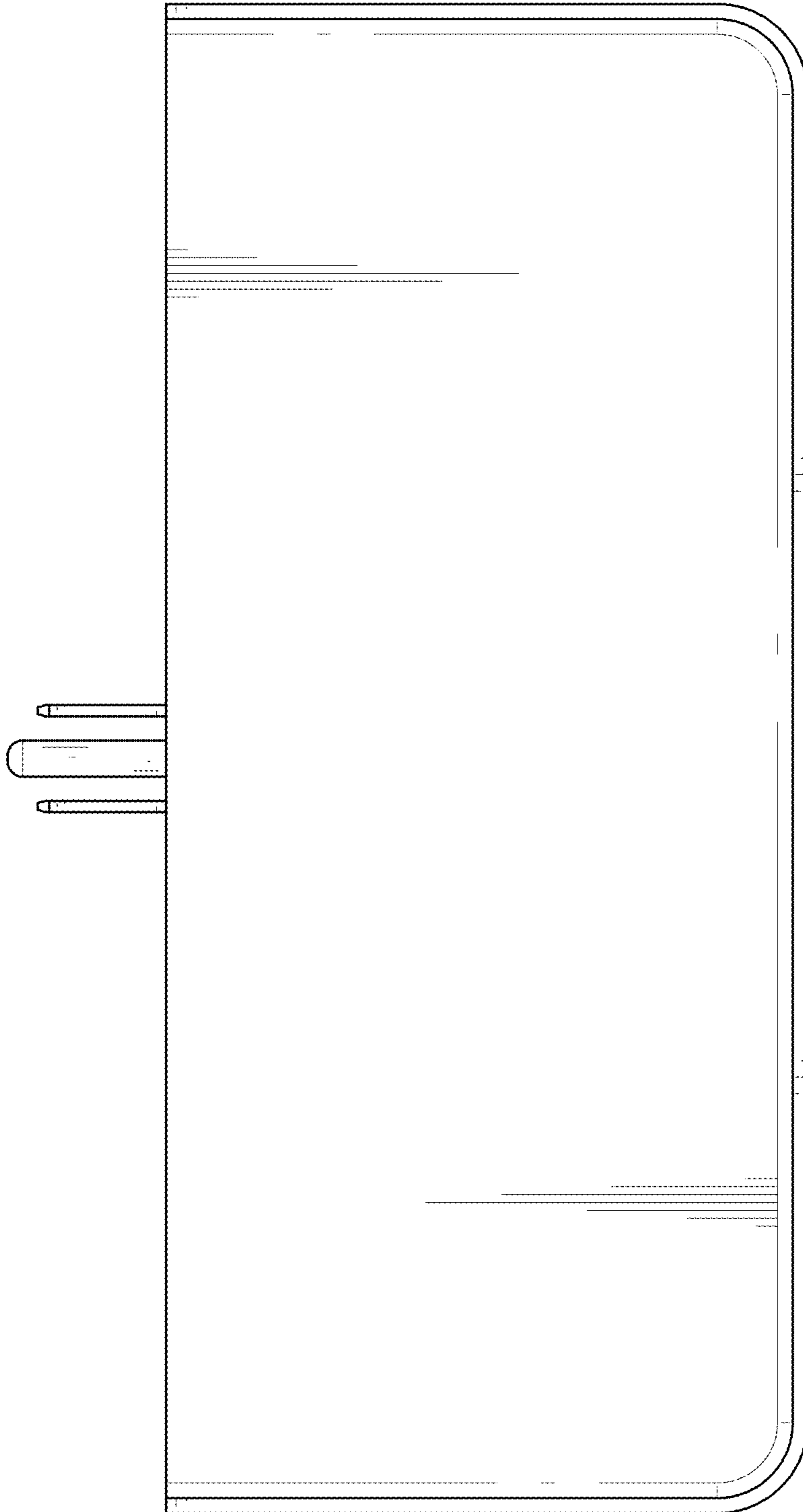


FIG. 7

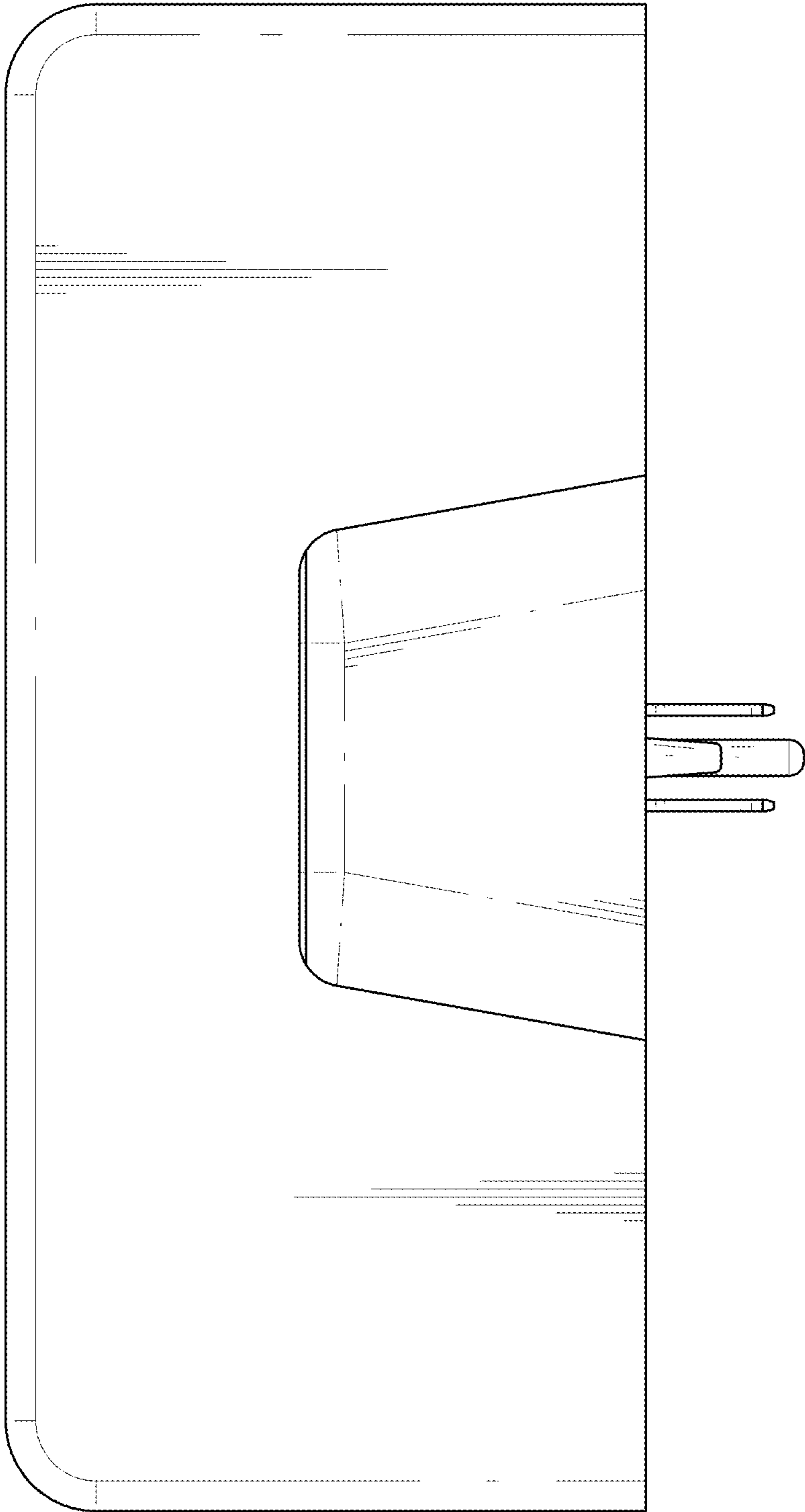


FIG. 8

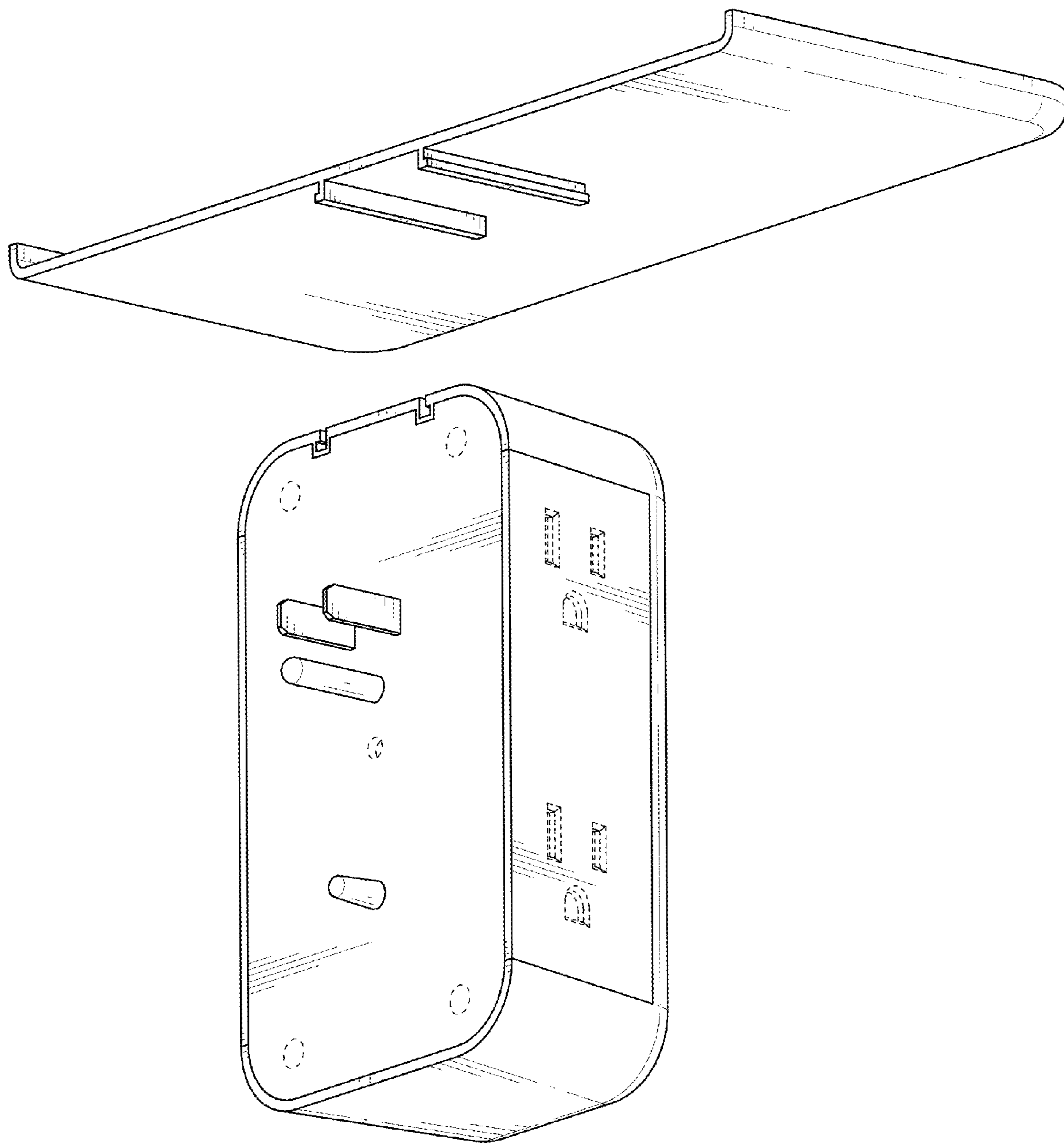


FIG. 9