



US00D881803S

(12) **United States Design Patent** (10) **Patent No.:** **US D881,803 S**
Aiken et al. (45) **Date of Patent:** **** Apr. 21, 2020**

(54) **COVER GLASS-INTERCONNECT-MOSAIC SOLAR CELL**

(71) Applicant: **SolAero Technologies Corp.**,
Albuquerque, NM (US)

(72) Inventors: **Daniel Aiken**, Cedar Crest, NM (US);
Daniel Derkacs, Albuquerque, NM (US);
Claiborne McPheeters, Albuquerque, NM (US)

(73) Assignee: **SolAero Technologies Corp.**,
Albuquerque, NM (US)

(**) Term: **15 Years**

(21) Appl. No.: **29/688,012**

(22) Filed: **Apr. 17, 2019**

(51) **LOC (12) Cl.** **13-02**

(52) **U.S. Cl.**
USPC **D13/102**

(58) **Field of Classification Search**
USPC D13/101, 102, 103, 118, 119, 184, 199;
D14/441, 447, 451
CPC H02S 20/20; H02S 20/24; H02S 20/30;
H02S 30/10; H02S 40/36; Y02B 10/12;
Y02B 10/20
See application file for complete search history.

(56) **References Cited**

U.S. PATENT DOCUMENTS

D524,727 S *	7/2006	Yamashita	D13/102
D543,501 S *	5/2007	Yamashita	D13/102
8,205,400 B2 *	6/2012	Allen	H01L 31/048 136/244
D684,112 S *	6/2013	Fallon	D13/102
8,607,510 B2 *	12/2013	Daniels	E04D 1/30 126/622
D719,909 S *	12/2014	Iwasaki	D13/102

9,082,913 B2 *	7/2015	Karpovich	H01L 31/048
9,156,568 B1 *	10/2015	Spence	B64G 1/222
D750,556 S *	3/2016	Morad	D13/102
9,281,777 B1 *	3/2016	Borgstrom	F16M 11/38
9,394,693 B2 *	7/2016	Daniels	H02S 20/25
D767,484 S *	9/2016	Morad	D13/102
D778,234 S *	2/2017	Cheung	D13/102
D814,402 S *	4/2018	Cheung	D13/102
D817,265 S *	5/2018	Liu	D13/102
D823,237 S *	7/2018	Albright	D13/102
D830,296 S *	10/2018	Liu	D13/102
D832,203 S *	10/2018	Caswell	D13/102
10,141,885 B2 *	11/2018	Smadja	H02S 20/00
D841,571 S *	2/2019	Zhou	D13/102
D857,624 S *	8/2019	Katov	D13/102
D866,456 S *	11/2019	Negley	D13/102
10,536,108 B2 *	1/2020	Goldberg	H02S 20/20

* cited by examiner

Primary Examiner — Susan Bennett Hattan
Assistant Examiner — Suzanne E Tisdell

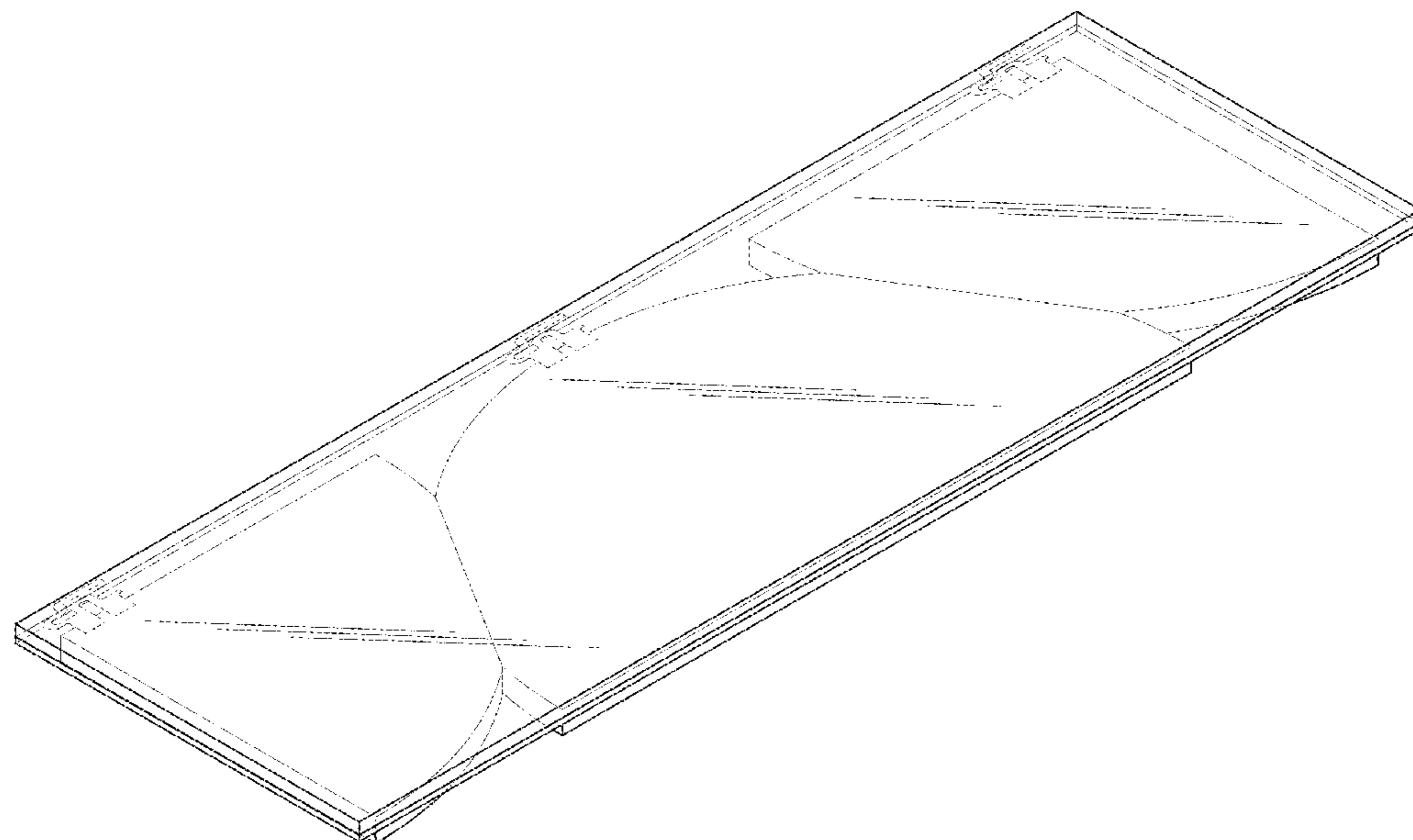
(57) **CLAIM**

The ornamental design for a cover glass-interconnect-mosaic solar cell, as shown and described.

DESCRIPTION

FIG. 1 is a top perspective view that illustrates the cover glass-interconnect-mosaic solar cell showing our new design;
FIG. 2 is a front side elevation view thereof;
FIG. 3 is a rear side elevation view thereof;
FIG. 4 is a top plan view thereof;
FIG. 5 is a bottom plan view thereof;
FIG. 6 is a left side elevation view thereof; and,
FIG. 7 is a right side elevation view thereof.
The broken line portion of the figure drawings is included to show portions of the article that form no part of the claimed design.

1 Claim, 5 Drawing Sheets



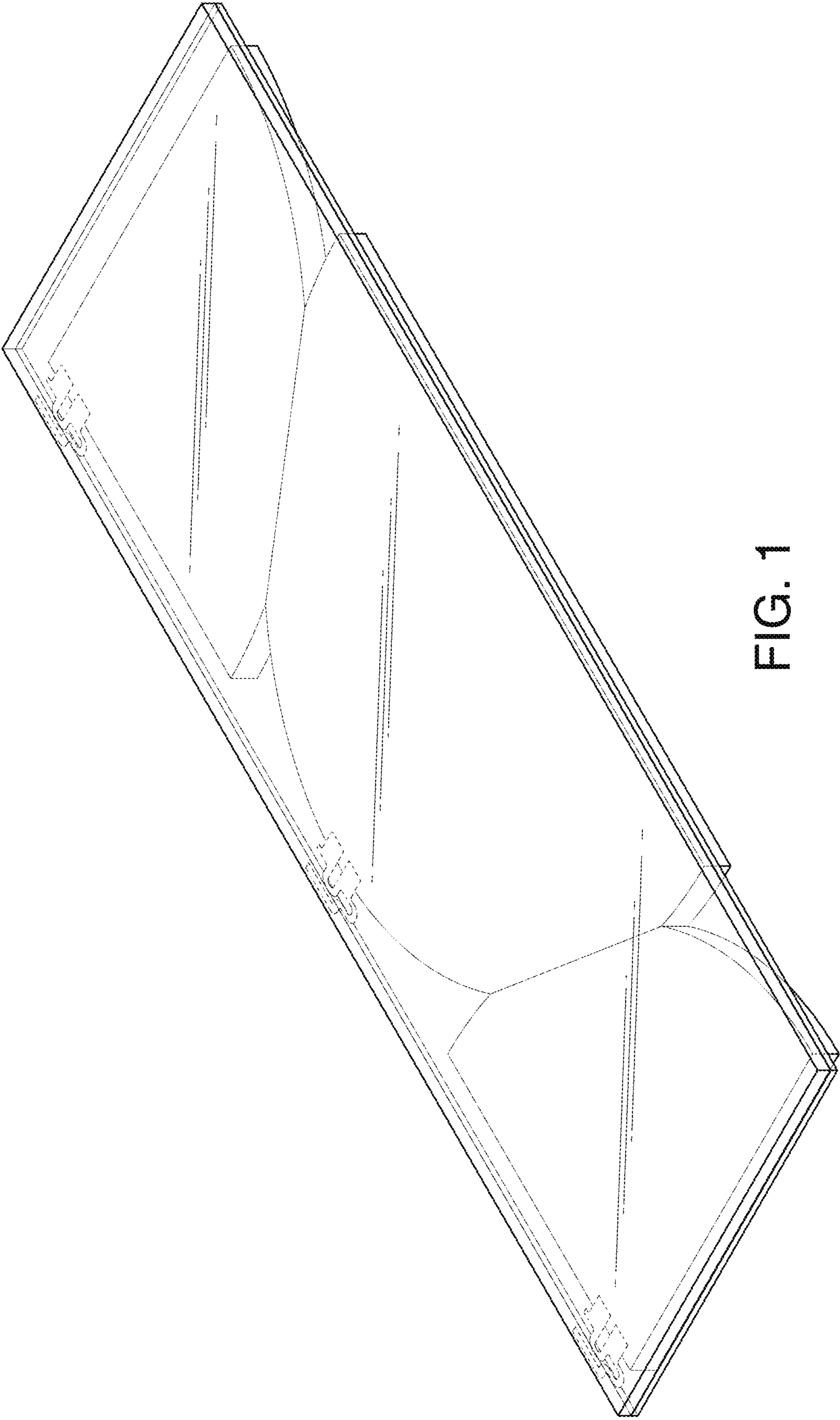


FIG. 1

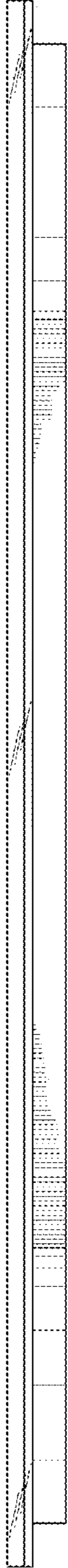


FIG. 2

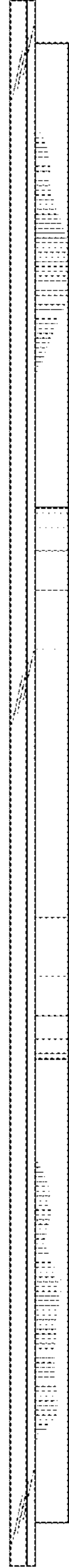


FIG. 3

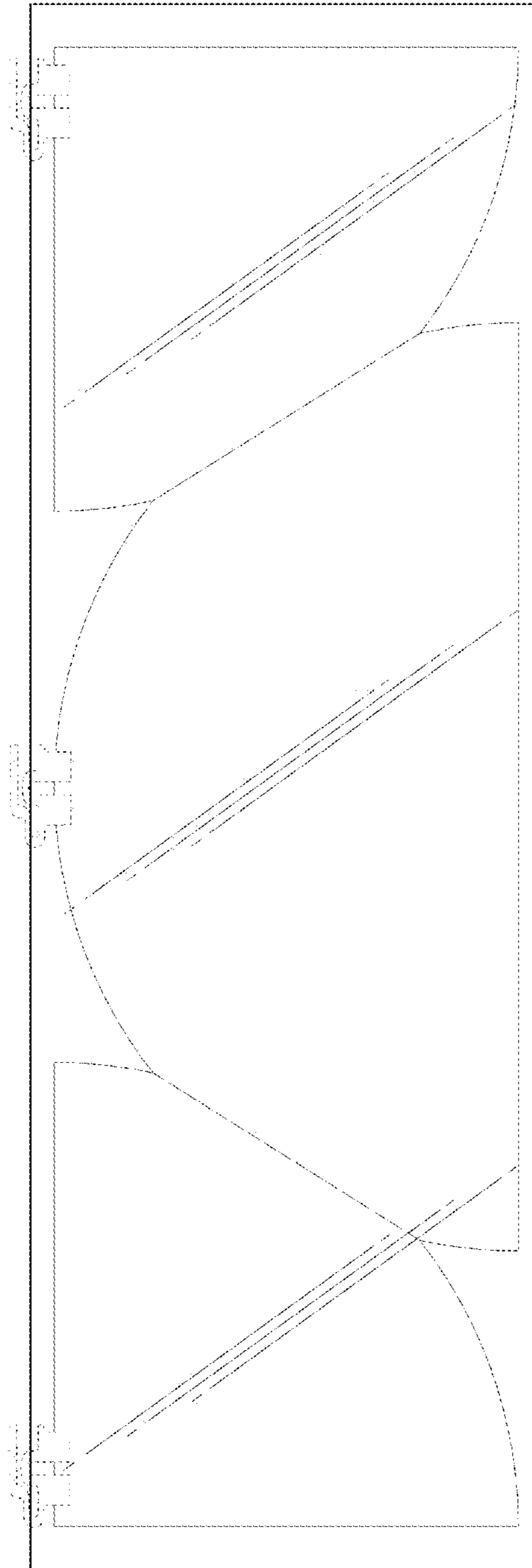


FIG. 4

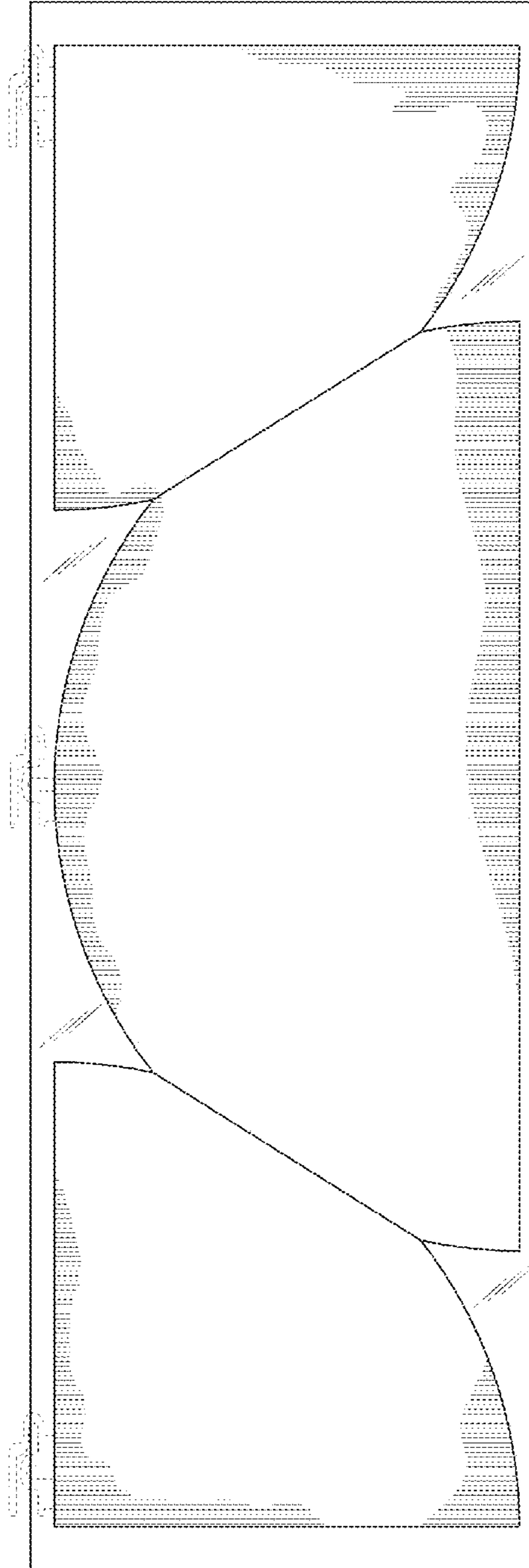


FIG. 5



FIG. 6

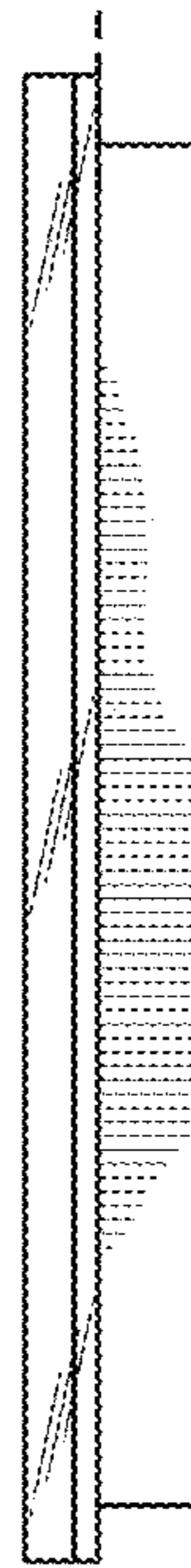


FIG. 7