



US00D881800S

(12) **United States Design Patent**
Liu et al.

(10) **Patent No.:** **US D881,800 S**

(45) **Date of Patent:** **** Apr. 21, 2020**

(54) **TIRE TREAD**

(71) Applicant: **PRINX CHENGSHAN (QINGDAO) INDUSTRIAL RESEARCH AND DESIGN CO., LTD.**, Qingdao, Shandong Province (CN)

(72) Inventors: **Lianbo Liu**, Qingdao (CN); **Yan Liu**, Qingdao (CN); **Guohong Yu**, Qingdao (CN); **Shiduo Ren**, Qingdao (CN); **Jiayu Qu**, Qingdao (CN)

(**) Term: **15 Years**

(21) Appl. No.: **29/643,953**

(22) Filed: **Apr. 13, 2018**

(51) **LOC (12) Cl.** **12-15**

(52) **U.S. Cl.**
USPC **D12/601**

(58) **Field of Classification Search**
USPC D12/500, 568, 574–605
CPC Y10T 152/10027; B60C 1/0016; B60C 11/0306; B60C 11/0302; B60C 3/06; B60C 9/17
See application file for complete search history.

(56) **References Cited**

U.S. PATENT DOCUMENTS

D456,346 S *	4/2002	Galante	D12/601
D610,077 S *	2/2010	Tobino	D12/601
D617,262 S *	6/2010	Tobino	D12/601
D730,273 S *	5/2015	Schimmoeller	D12/601

D738,294 S *	9/2015	Koog	D12/601
D738,813 S *	9/2015	Wang	D12/601
D742,813 S *	11/2015	Tian	D12/601
D743,327 S *	11/2015	Schimmoeller	D12/588
D764,397 S *	8/2016	Dixon	D12/601
D789,277 S *	6/2017	Dixon	D12/518
D818,940 S *	5/2018	Parr	D12/604
D818,941 S *	5/2018	Parr	D12/604
D836,537 S *	12/2018	Kristen	D12/574

* cited by examiner

Primary Examiner — Lakiya G Rogers

Assistant Examiner — John A Voytek

(74) *Attorney, Agent, or Firm* — Getech Law LLC; Jun Ye

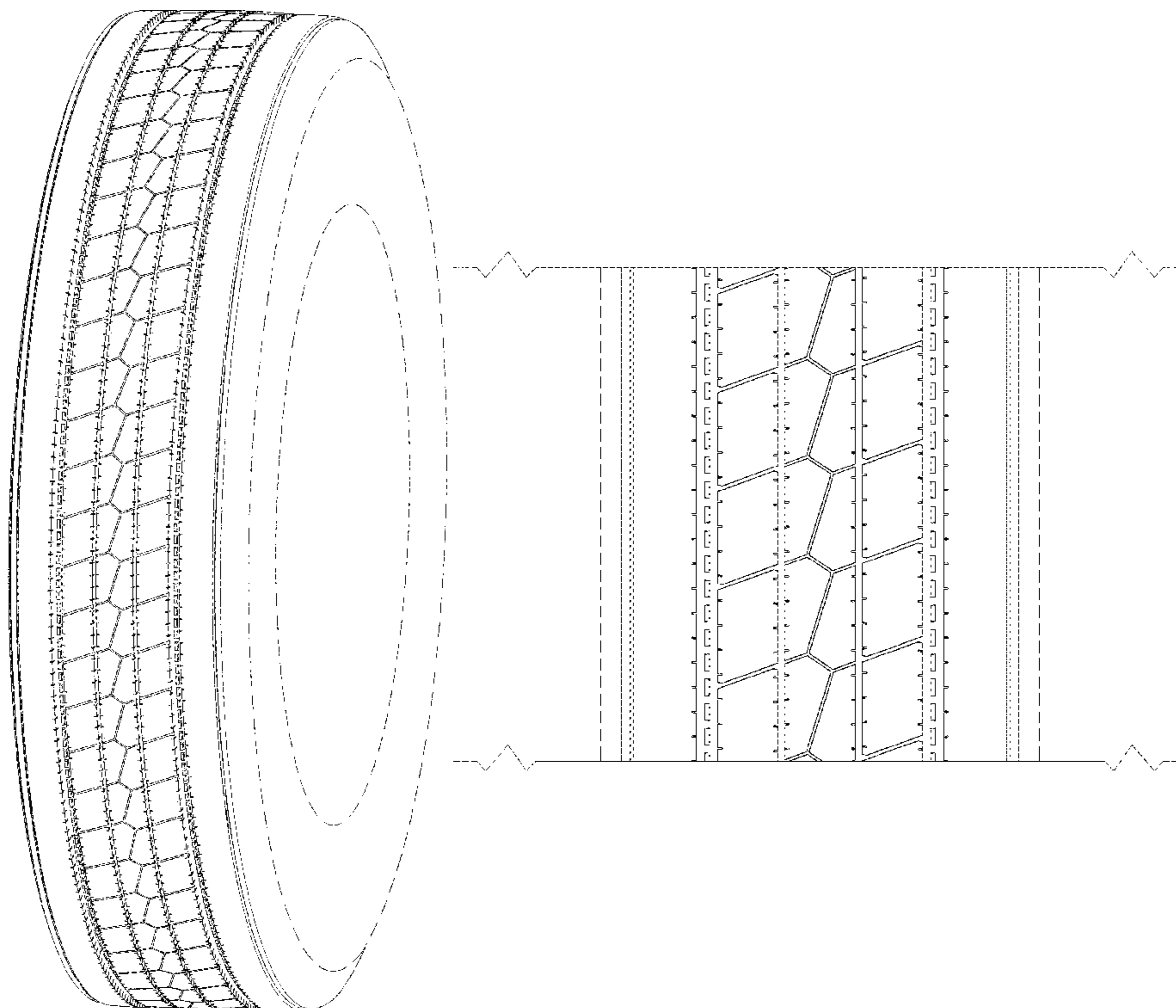
(57) **CLAIM**

The ornamental design for a tire tread, as shown and described.

DESCRIPTION

FIG. 1 is a perspective view of the tire tread showing the design;
FIG. 2 is a front elevational view thereof, a rear elevational view is identical to the front elevational view, a top plan view is identical to the front elevational view, and a bottom plan view is identical to the front elevational view;
FIG. 3 is a left side view thereof, and a right side view thereof is identical to the left side view; and,
FIG. 4 is an enlarged, partial view of the tread in FIG. 1.
In the drawings, the broken lines showing portions of the sidewall and inner bead depict portions of the tire that form no part of the claimed design.

1 Claim, 4 Drawing Sheets



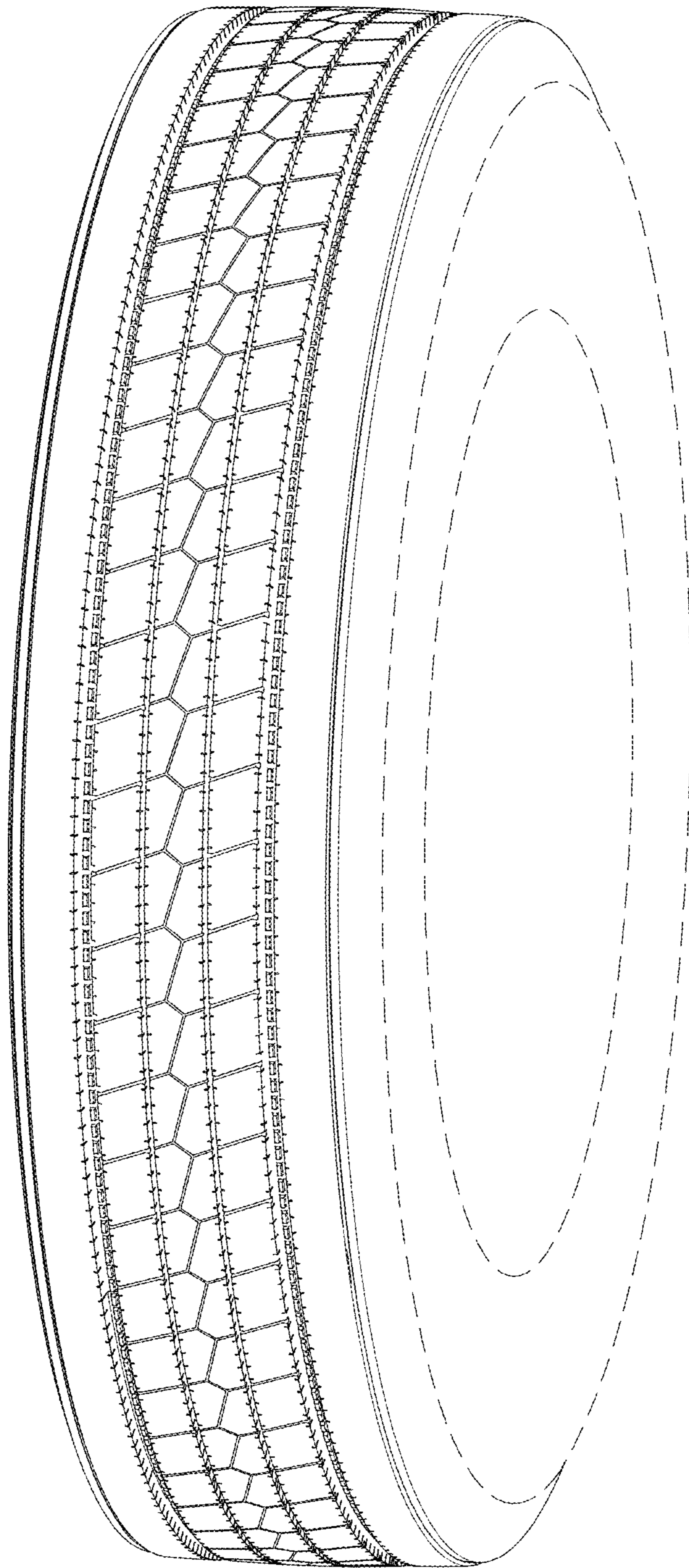


FIG. 1

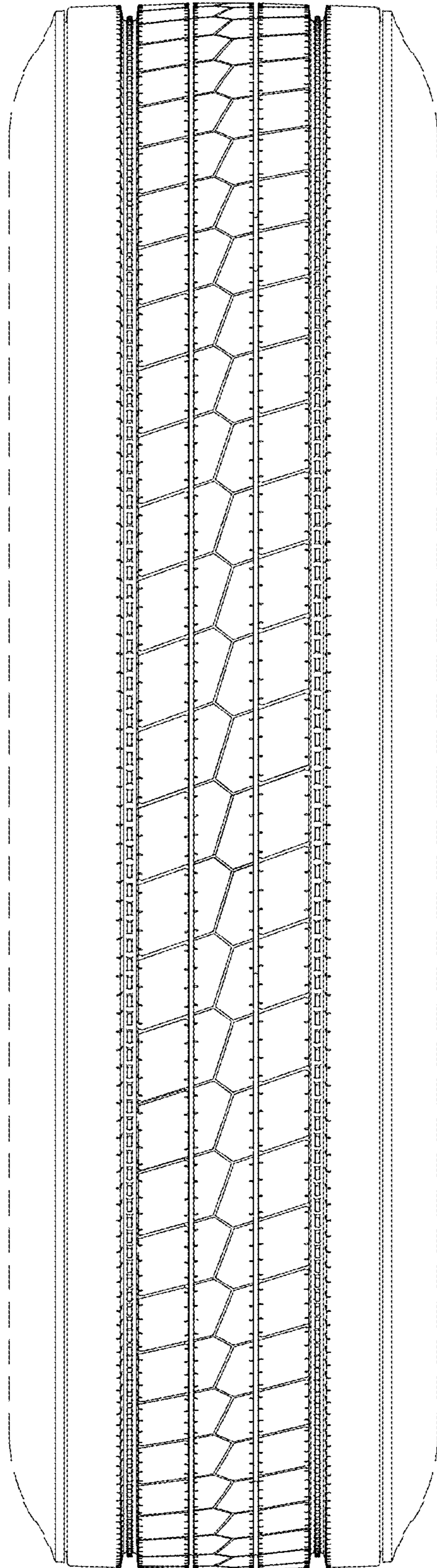


FIG. 2

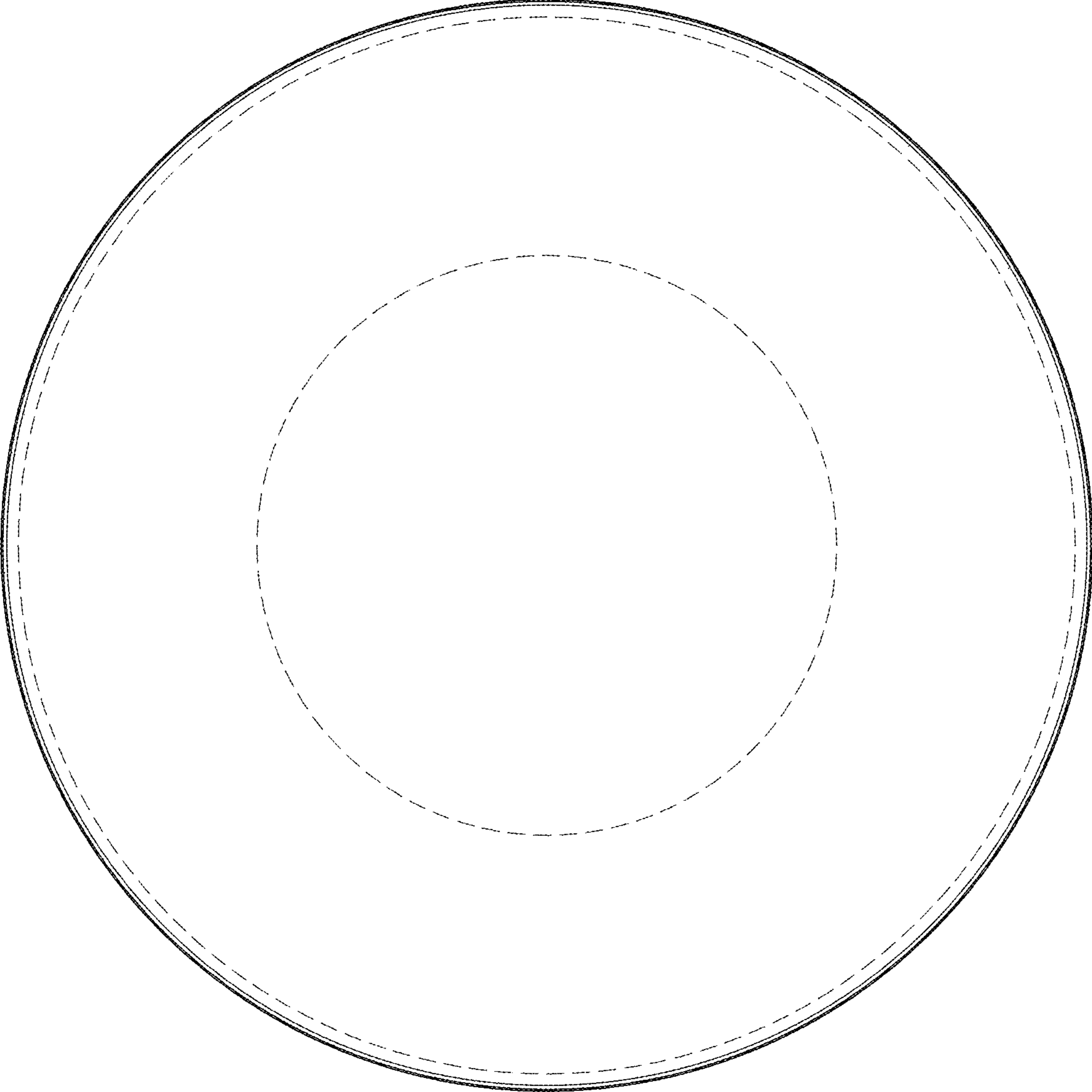


FIG. 3

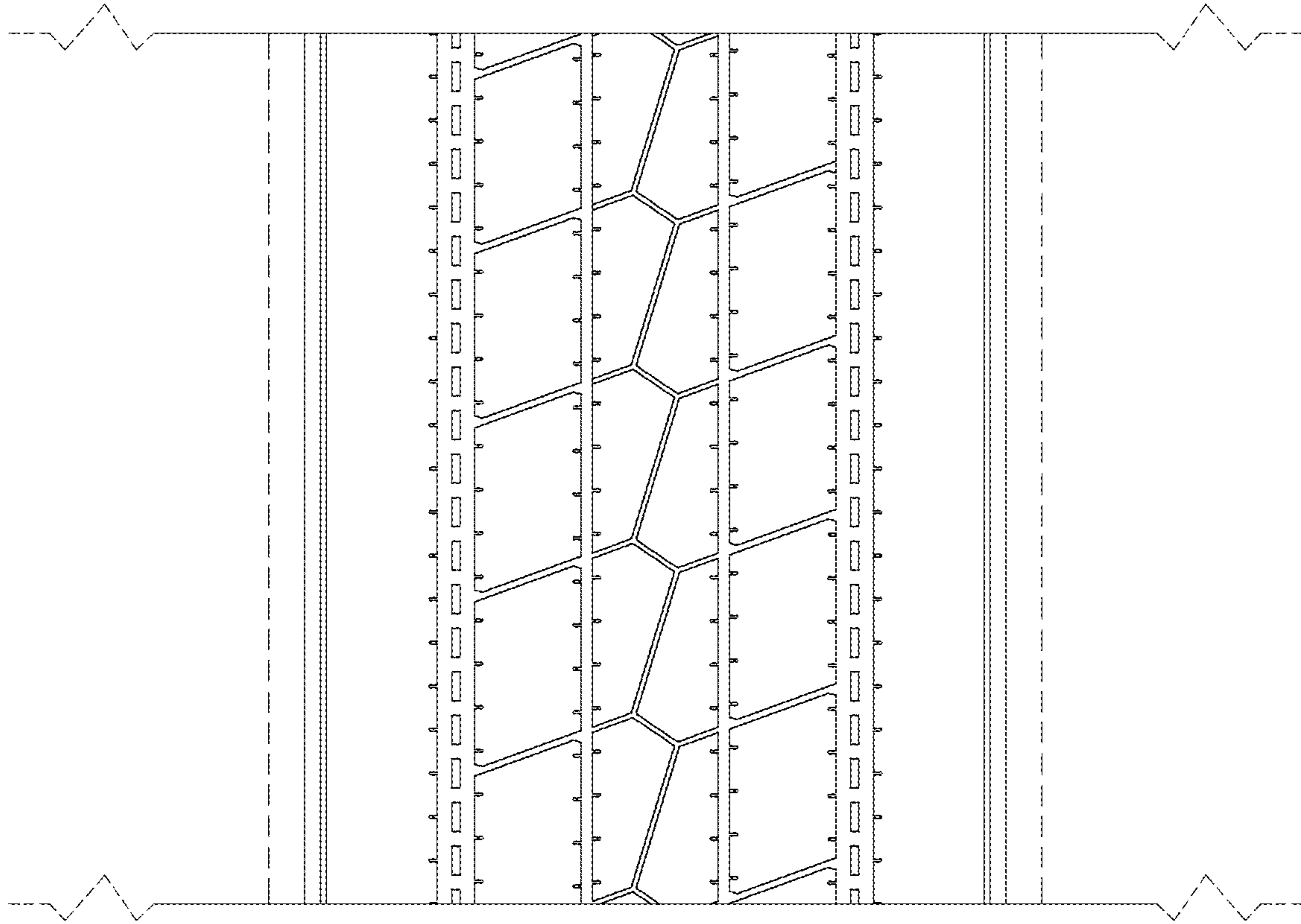


FIG. 4