



US00D881793S

(12) **United States Design Patent** (10) **Patent No.:** **US D881,793 S**
Huang (45) **Date of Patent:** **** Apr. 21, 2020**

(54) **SEAT BACK ORGANIZER**

(71) Applicant: **Ruijie Huang**, Puning (CN)

(72) Inventor: **Ruijie Huang**, Puning (CN)

(**) Term: **15 Years**

(21) Appl. No.: **29/720,001**

(22) Filed: **Jan. 9, 2020**

(51) **LOC (12) Cl.** **12-16**

(52) **U.S. Cl.**
USPC **D12/416**

(58) **Field of Classification Search**
USPC D12/416-419, 423; D6/513, 514, 611,
D6/553, 556, 559; D7/601-602; D3/216,
D3/217, 319
CPC B65D 33/00; B64D 11/0636; B60N 3/004
See application file for complete search history.

(56) **References Cited**

U.S. PATENT DOCUMENTS

D312,349 S *	11/1990	Pogue	D12/133
D497,874 S *	11/2004	Fialla-Dori	D12/416
D498,585 S	11/2004	Darling		
D515,497 S *	2/2006	Watson	D12/416
D519,915 S	5/2006	Eskandry		
D539,037 S *	3/2007	Bergh	D12/416
D632,242 S *	2/2011	Currie	D12/416
D632,510 S *	2/2011	Johnson	D12/416
D650,733 S *	12/2011	Cooney	D12/416
D658,568 S *	5/2012	Currier	D12/416
D770,360 S *	11/2016	Currier	D12/415
D782,389 S *	3/2017	Currier	D12/415
D820,595 S *	6/2018	Currier	D3/293
2013/0105533 A1 *	5/2013	Orduno	B60R 7/043 224/275

OTHER PUBLICATIONS

Yawayda Seat Back Organizer with Gun Rack Feature Tactical Seat Behind Gun Holder Molle Panel Cover Car Seat Storage Universal

Fit Vehicles SUV Truck MPV Pickup, https://www.amazon.com/dp/B07WP62QCB?ref=myi_title_dp, Jan. 9, 2020.
Yawayda Seat Back Organizer with Gun Rack Feature Tactical Seat Behind Gun Holder Molle Panel Cover Car Seat Storage Universal Fit Vehicles SUV Truck MPV Pickup, https://www.amazon.com/dp/B07ZCJSLVV?ref=myi_title_dp, Jan. 9, 2020.
Yawayda Tactical Seat Back Organizer Molle Vehicle Seat Back Panel Car Seat Back Cover Protector Universal Fit, https://www.amazon.com/dp/B07ZP8HWQX?ref=myi_title_dp, Jan. 9, 2020.
Multi Locker Tactical Seat Back Organizer—Tactical Molle Vehicle Panel with Gun Rack, Seat Back Covers, Molle Seat Organizer, Car Seat Cover Protector Universal for Truck SUV MPV Saloon, Black, <https://www.amazon.com/gp/product/B07Y7CW9LH>, Jan. 9, 2020.

* cited by examiner

Primary Examiner — Katrina A Betton
(74) *Attorney, Agent, or Firm* — KA Filing LLC; Wayne V. Harper

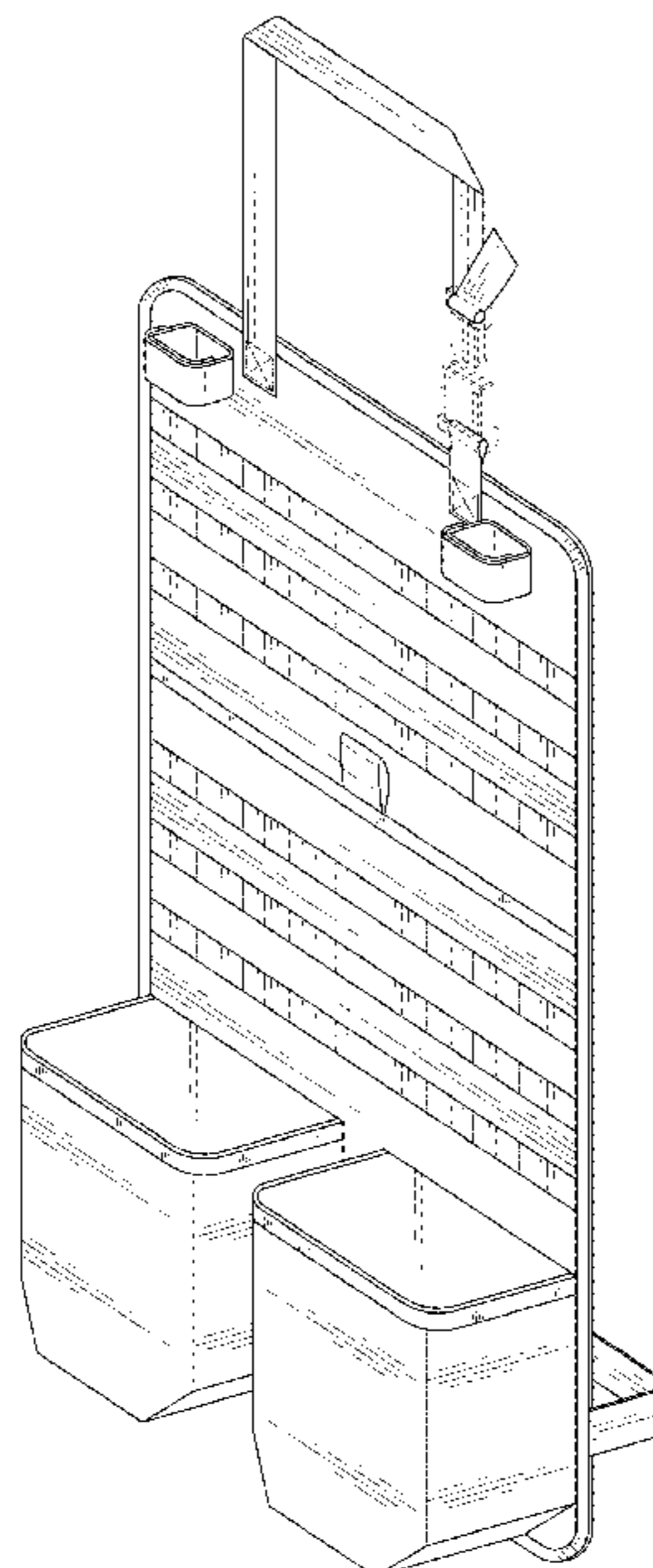
(57) **CLAIM**

I claim the ornamental design for a seat back organizer, as shown and described.

DESCRIPTION

FIG. 1 is a Perspective view of a seat back organizer showing my new design;
FIG. 2 is a Front view thereof;
FIG. 3 is a Back view thereof;
FIG. 4 is a right-side view thereof;
FIG. 5 is a Left-side view thereof;
FIG. 6 is a Top view thereof; and,
FIG. 7 is a Bottom view thereof.
The broken lines are only for environmental purposes and form no part of the claimed design.

1 Claim, 6 Drawing Sheets



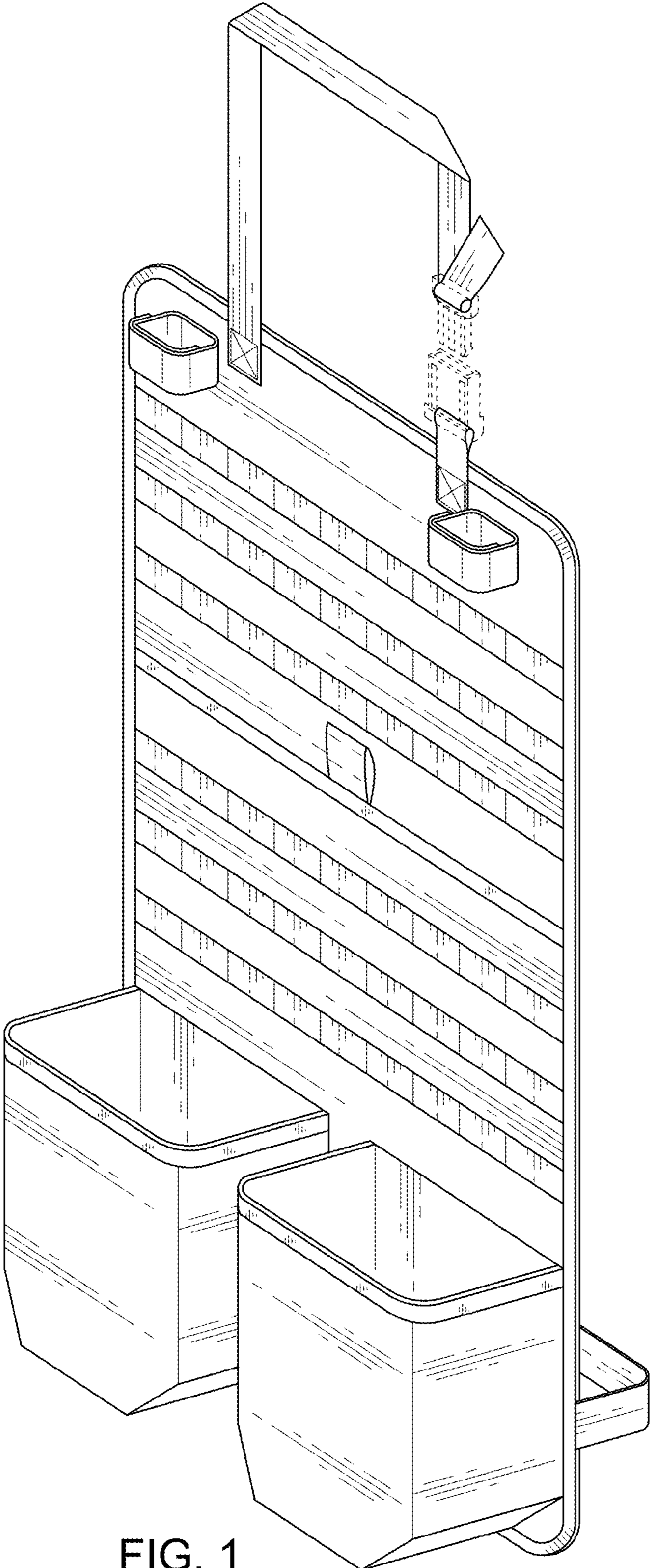


FIG. 1

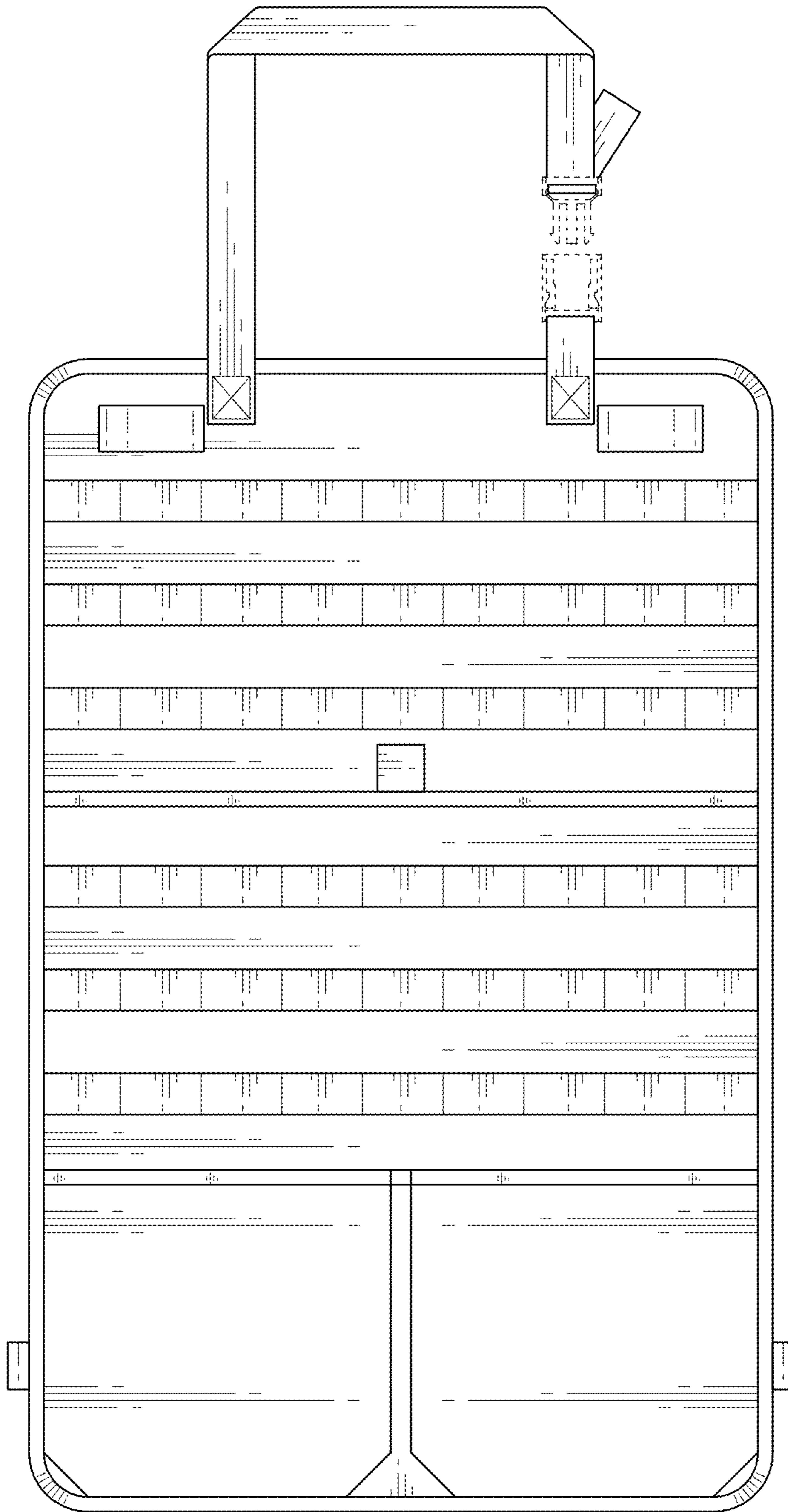


FIG. 2

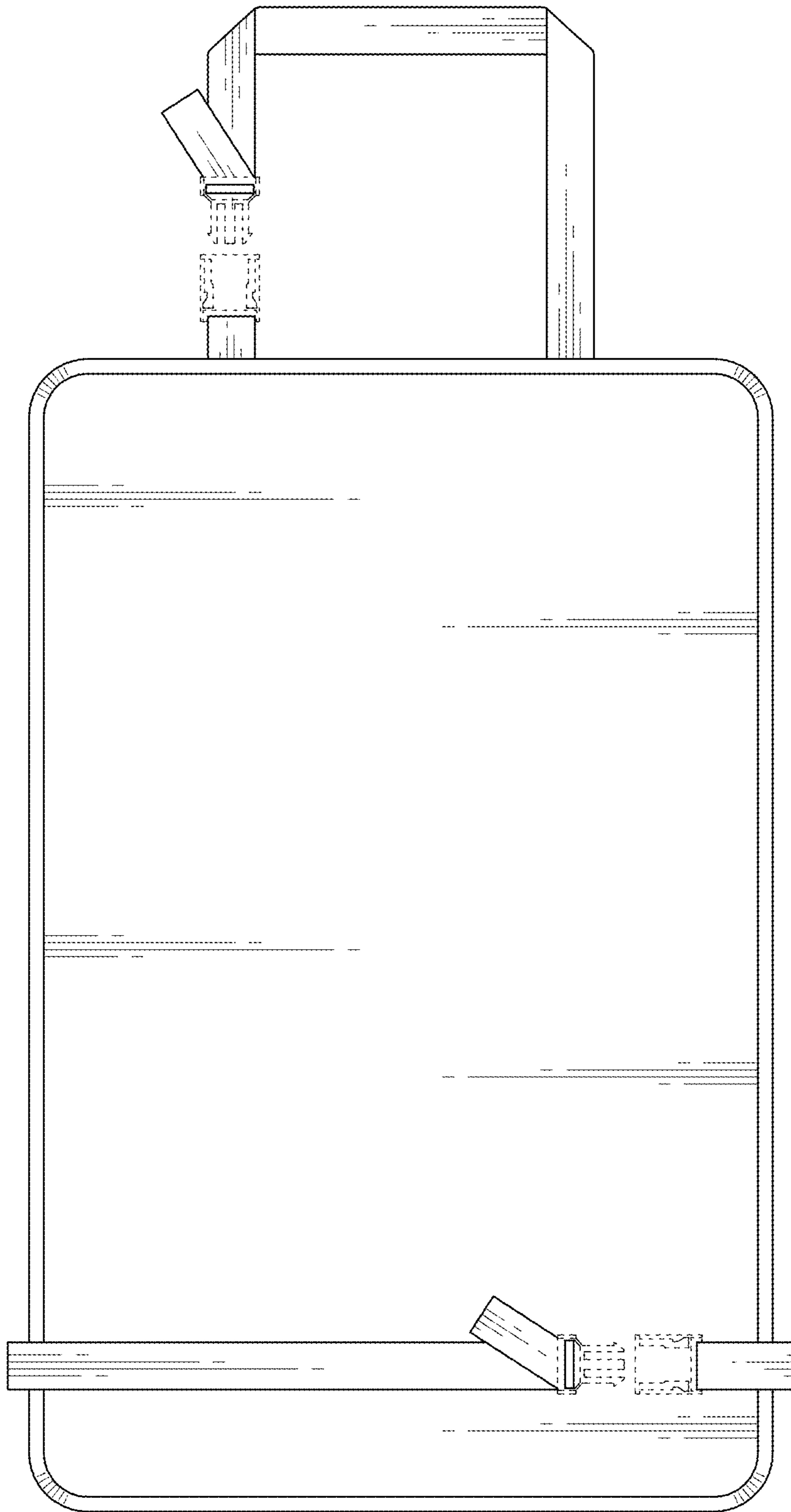


FIG. 3

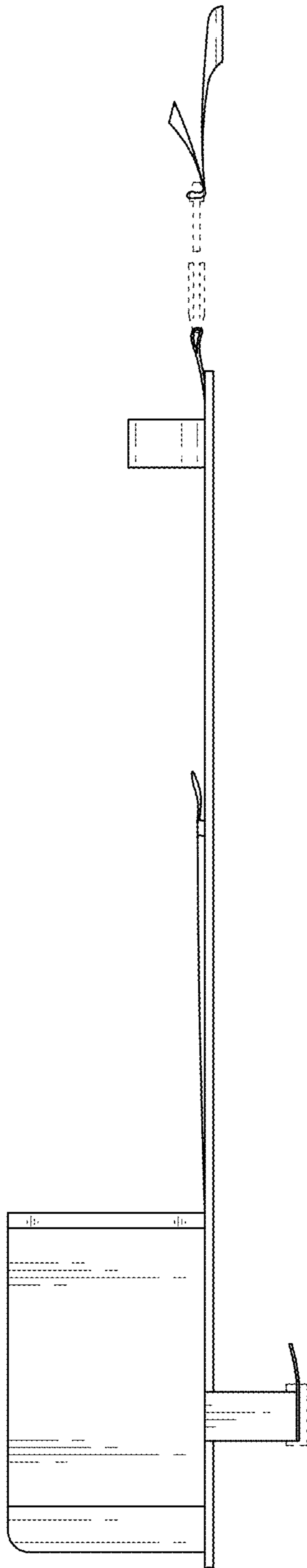


FIG. 4

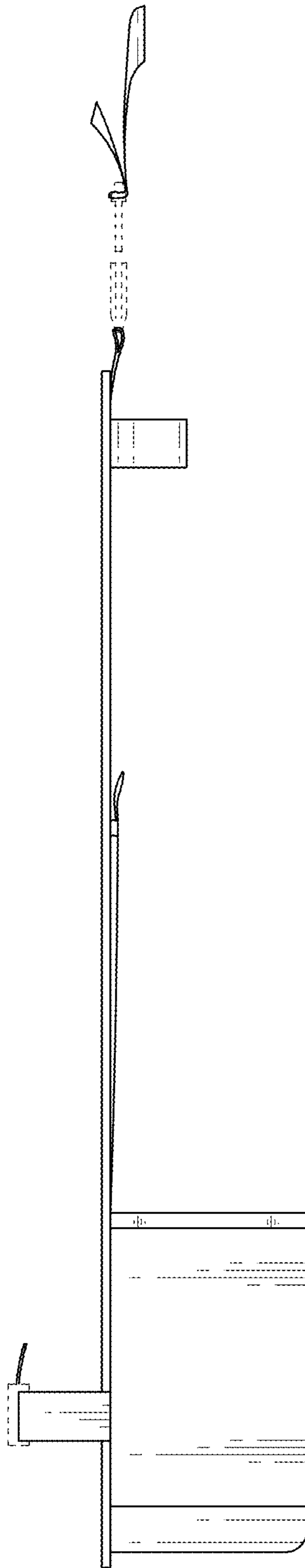


FIG. 5

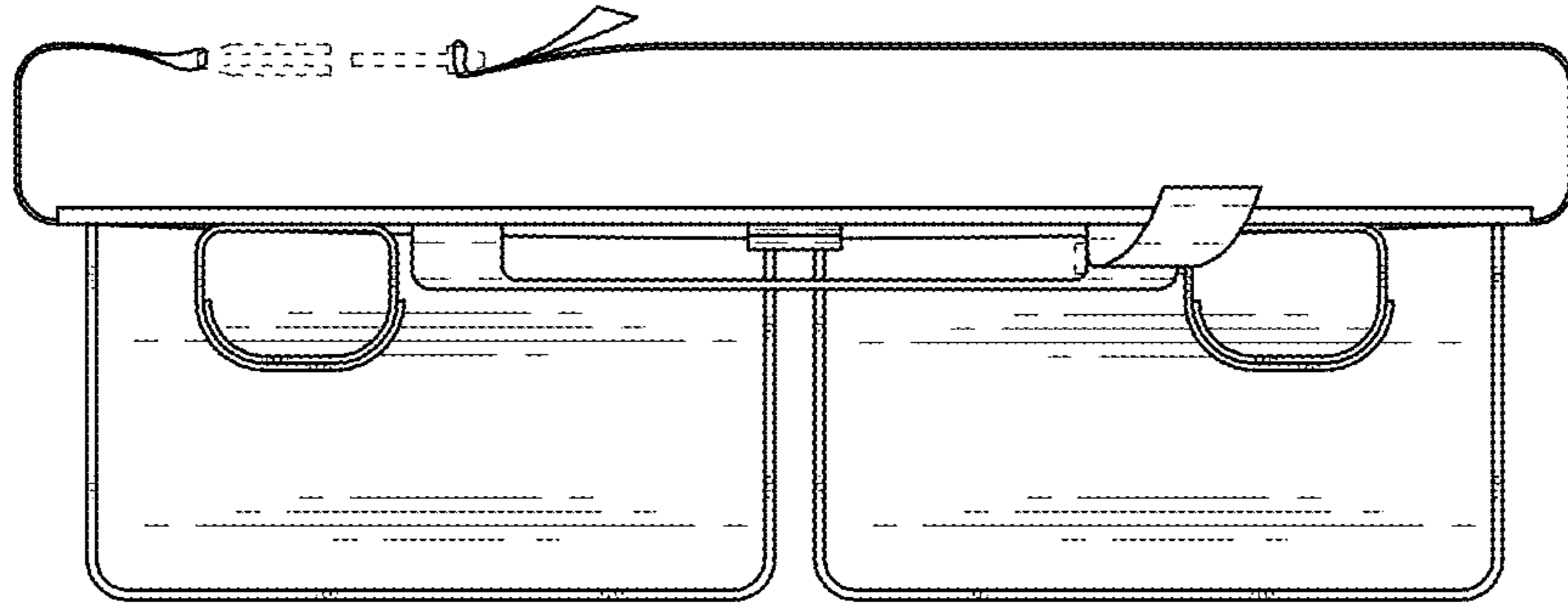


FIG. 6

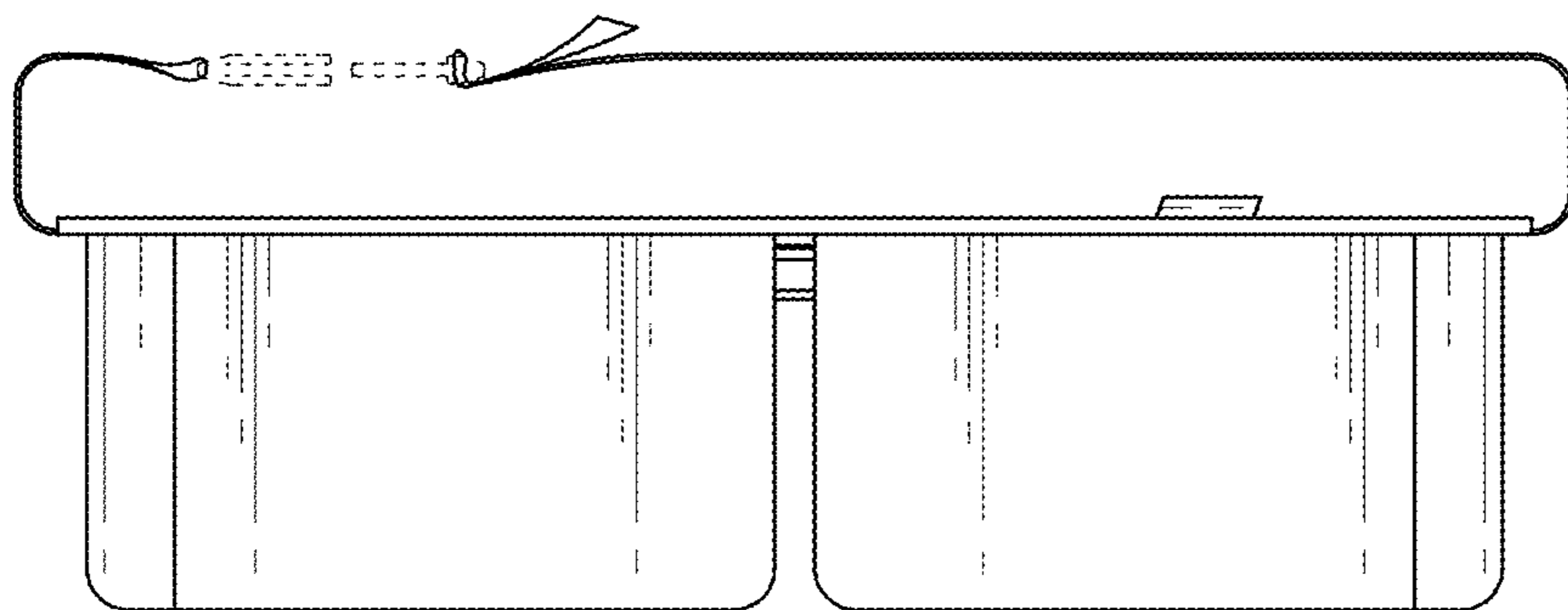


FIG. 7