



US00D881792S

(12) **United States Design Patent**
Tang

(10) **Patent No.:** **US D881,792 S**

(45) **Date of Patent:** **** Apr. 21, 2020**

(54) **BRACKET FOR A ROOF RACK**

(71) Applicant: **Wai Kin Tang**, City of Industry, CA
(US)

(72) Inventor: **Wai Kin Tang**, City of Industry, CA
(US)

(**) Term: **15 Years**

(21) Appl. No.: **29/668,166**

(22) Filed: **Oct. 29, 2018**

(51) **LOC (12) Cl.** **12-16**

(52) **U.S. Cl.**
USPC **D12/412**

(58) **Field of Classification Search**
USPC D12/412-426, 406, 190-192, 195, 106,
D12/345, 96, 99, 400, 222; D6/552;
D3/304-306
CPC B60R 9/00; B60R 9/02; B60R 9/04; B60R
9/08; B60R 9/055; B60R 9/058; B60R
9/06; B60R 9/065; B60R 9/10; B60R
9/12; B60R 9/045; B60R 7/04; B60R
7/08

See application file for complete search history.

(56) **References Cited**

U.S. PATENT DOCUMENTS

D193,840 S *	10/1962	Helm	D12/414
D258,263 S *	2/1981	Mareydt	D12/414
D258,280 S *	2/1981	Mareydt	D12/414
D266,836 S *	11/1982	Ingram	D12/414
D267,247 S *	12/1982	Kowalski	D12/414
D273,187 S *	3/1984	Brorsson	D12/414
4,534,496 A *	8/1985	Bott	B60Q 1/2661 224/321
D283,118 S *	3/1986	Eklund	D12/414
D294,137 S *	2/1988	Robson	D12/412
D294,340 S *	2/1988	Robson	D12/414
D299,224 S *	1/1989	Kamaya	D12/412
D299,913 S *	2/1989	Arvidsson	D12/414

D309,126 S *	7/1990	Carr	D12/414
D312,235 S *	11/1990	Dixon	D12/408
D321,496 S *	11/1991	Sparham	D12/414

(Continued)

FOREIGN PATENT DOCUMENTS

CZ	17629	*	7/2007	B60R 9/058
EM	2746108	*	6/2014	B60R 9/025

OTHER PUBLICATIONS

Rhino-Rack Quick Mount Leg x2, RackAttack.com, [online], [site visited Sep. 23, 2019]. <URL: <https://www.rackattack.com/base-roof-rack-systems/roof-rack-fit-kits-clamps/rhino-rack-quick-mount-leg-x2/>> (Year: 2019).*

(Continued)

Primary Examiner — T Chase Nelson
Assistant Examiner — Jonathan J. Han
(74) *Attorney, Agent, or Firm* — Kirk A. Buhler; Buhler & Associates Patenting

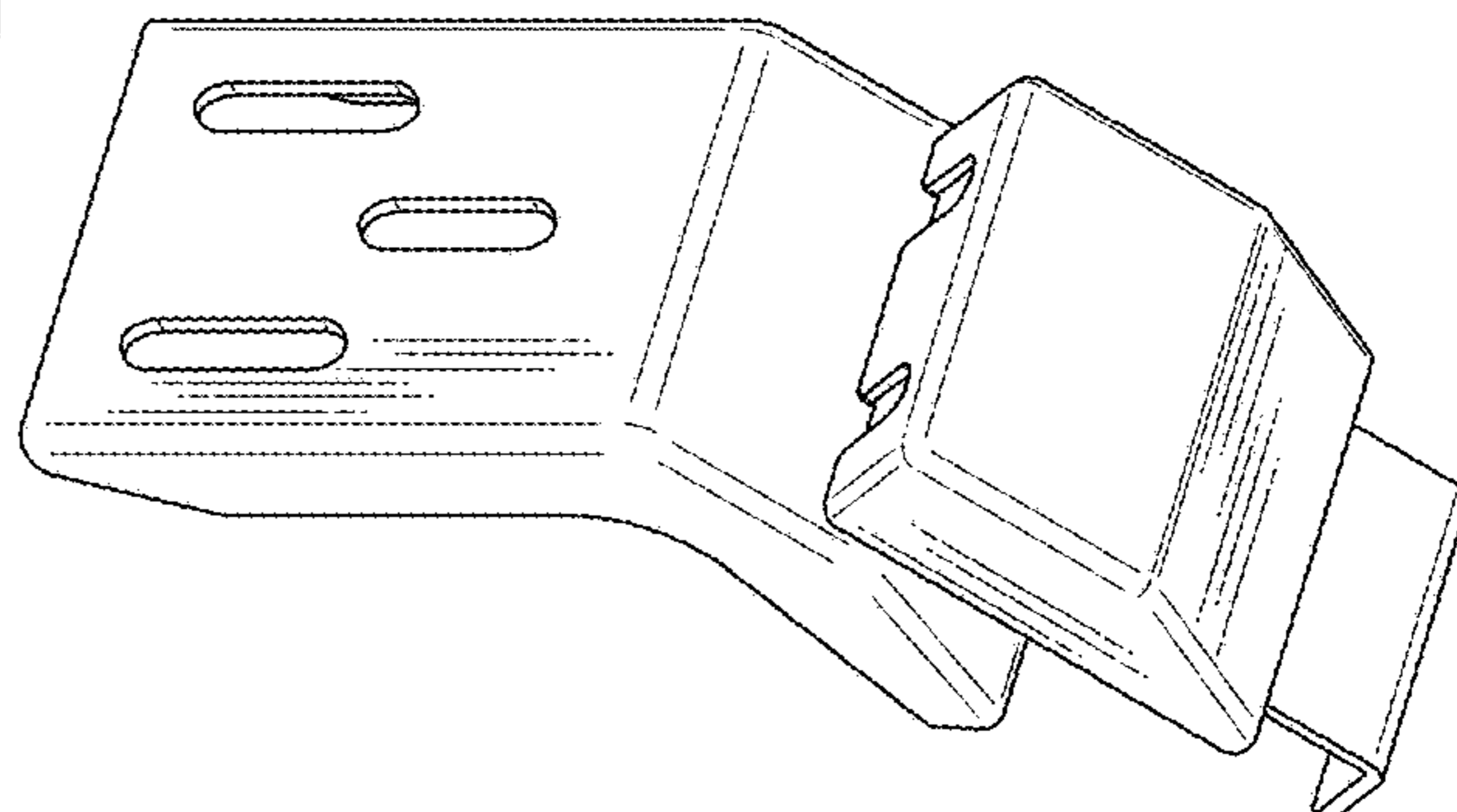
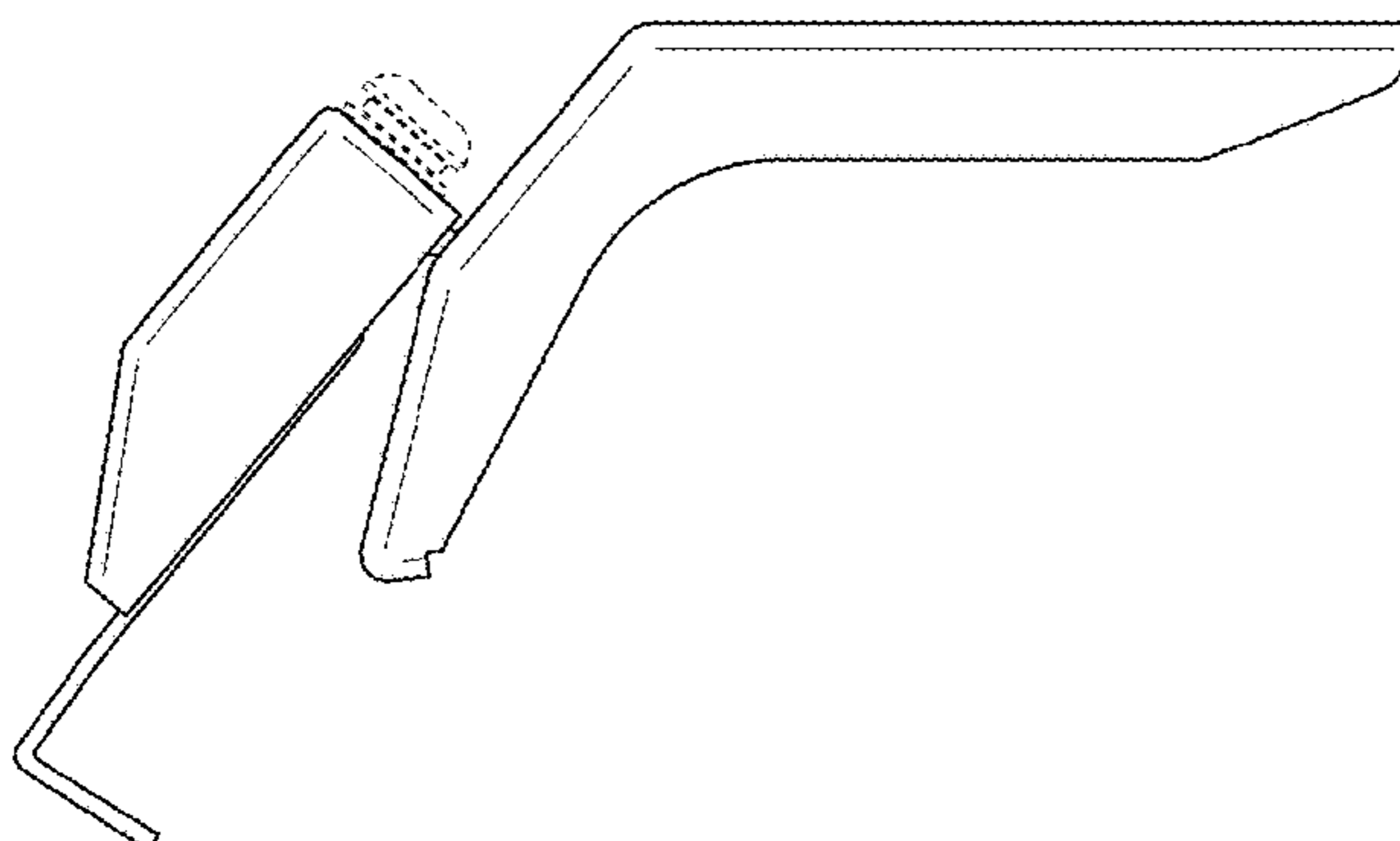
(57) **CLAIM**

The ornamental design for a bracket for a roof rack, as shown and described.

DESCRIPTION

FIG. 1 is a top left perspective view in an environment of use of a bracket for a roof rack, showing my new design; FIG. 2 is a top plan view of the bracket for a roof rack; FIG. 3 is a bottom plan view thereof; FIG. 4 is a right side elevation view, the left side elevation view being a mirror image thereof, and FIG. 5 is a left sectional view taken along lines 5-5 from FIG. 2 thereof; FIG. 6 is a rear elevation view thereof; FIG. 7 is a front elevation view thereof; and, FIG. 8 is a top perspective view. The broken lines in FIGS. 1, 4 and 5 depict environmental subject matter and form no part of the claimed design.

1 Claim, 7 Drawing Sheets



(56)

References Cited

U.S. PATENT DOCUMENTS

D406,095 S * 2/1999 Denny D12/414
 D410,430 S * 6/1999 Stapleton D12/414
 D422,554 S * 4/2000 Stapleton D12/414
 6,425,509 B1 * 7/2002 Dean B60R 9/048
 211/20
 6,431,423 B1 * 8/2002 Allen B60R 9/048
 224/324
 D495,654 S 9/2004 Elwell et al.
 D497,589 S * 10/2004 Elwell D12/414
 D499,372 S 12/2004 Andersson
 D521,486 S * 5/2006 Yokoyama D13/144
 D577,327 S * 9/2008 Jung D12/412
 7,464,976 B2 * 12/2008 Smith B60R 9/00
 296/26.11
 D597,924 S * 8/2009 Smith D12/406
 D602,879 S * 10/2009 Van Lee Kalbach D13/168
 D604,687 S * 11/2009 Malik D12/414
 D669,017 S 10/2012 Robertson
 D695,206 S * 12/2013 Eriksson D12/414
 D702,620 S * 4/2014 Read D12/223
 D709,818 S 7/2014 Zhang
 D717,631 S * 11/2014 Elbl D6/550

D758,256 S * 6/2016 Cropley D12/412
 D777,080 S * 1/2017 Cropley D12/412
 D792,833 S * 7/2017 Chan D12/412
 D831,562 S * 10/2018 Salsi D12/412

OTHER PUBLICATIONS

Rhino-Rack USA RL150S2 Gutter Mount Leg Set, Amazon.com, Date First Available: May 4, 2011, [online], [site visited Sep. 23, 2019]. <URL: https://www.amazon.com/Rhino-Rack-USA-RL15052-Gutter-Mount/dp/B004Z8SOBA/ref=pd_sbs_468_6/132-2524759-0679644?_encoding=UTF8&pd_rd_i=B004Z8SOBA&pd_rd_r=7484d059> (Year: 2011).*

Thule Guttered Footpack 15cm for Cars with Rain Gutters, amazon.com, Date First Available: Jun. 13, 2013, [online], [site visited Sep. 23, 2019]. <URL: https://www.amazon.com/Thule-Guttered-Footpack-15cm-Gutters/dp/B000AR77O0/ref=pd_sbs_468_7?_encoding=UTF8&pd_rd_i=B000AR77O0&pd_rd_r=a64d7e9f-ec0b-4b31> (Year: 2013).*

Raingutter Roof Rack, Elgourmand.co, Mar. 9, 2019, [online], [site visited Sep. 23, 2019]. <URL: <http://elgourmand.co/raingutter-roof-rack/>> (Year: 2019).*

* cited by examiner

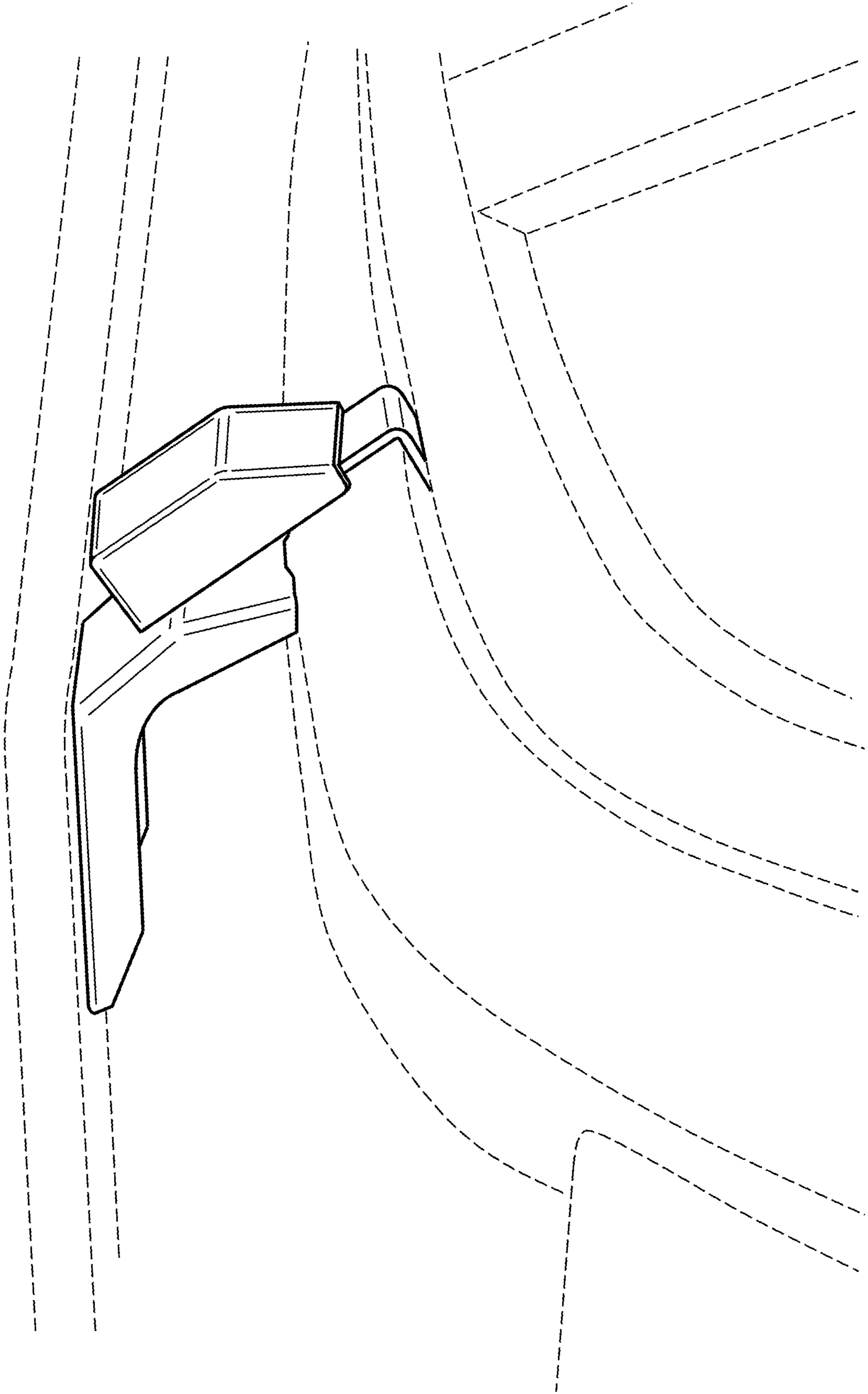


FIG. 1

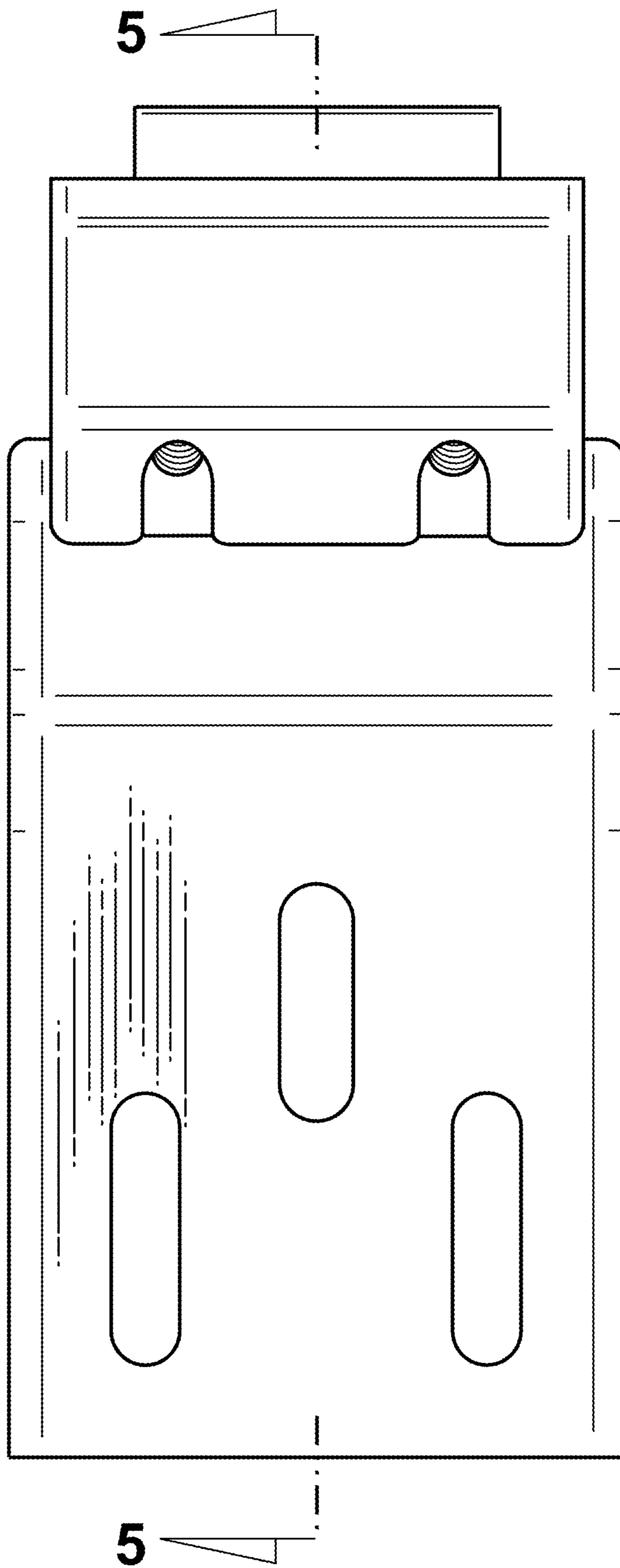


FIG. 2

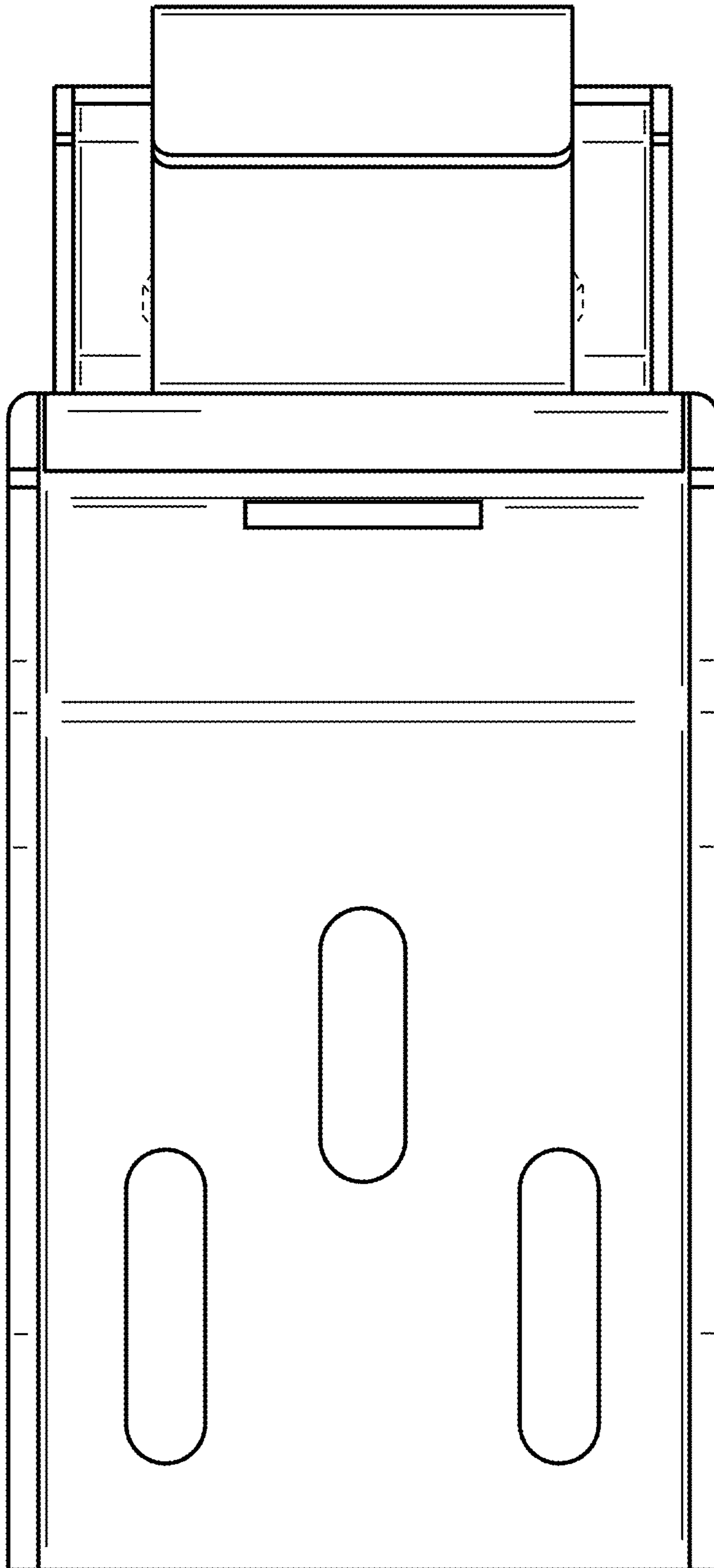


FIG. 3

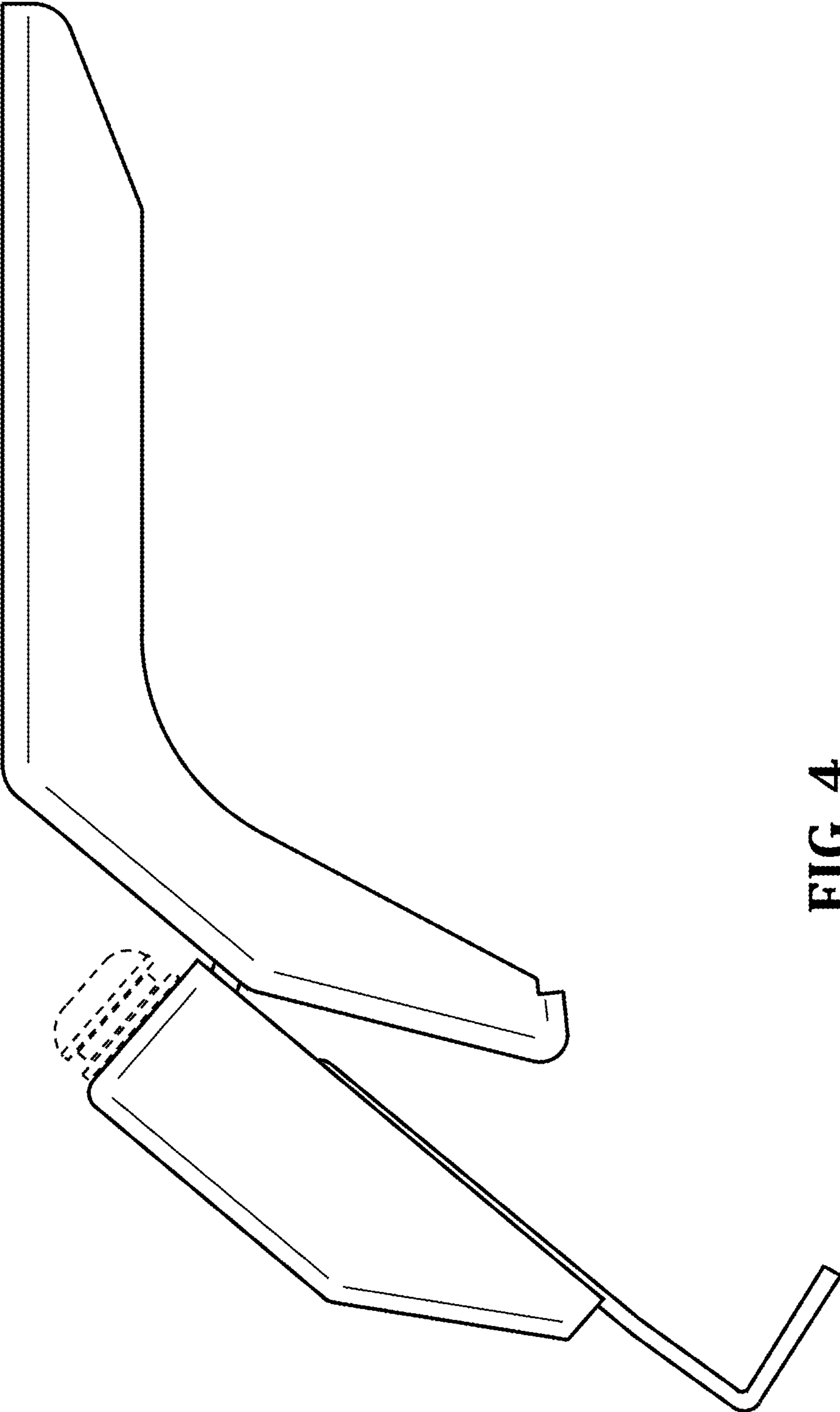


FIG. 4

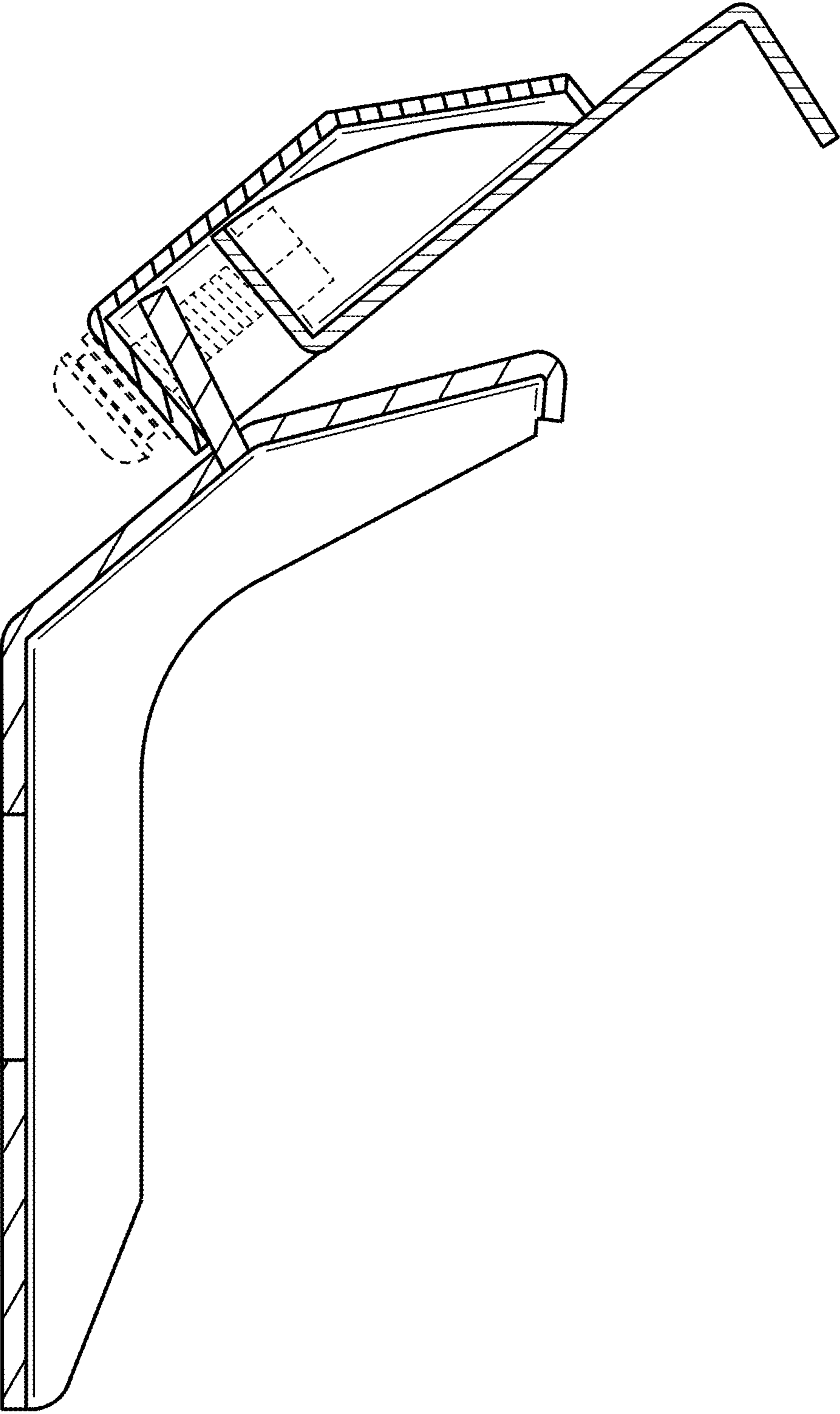


FIG. 5

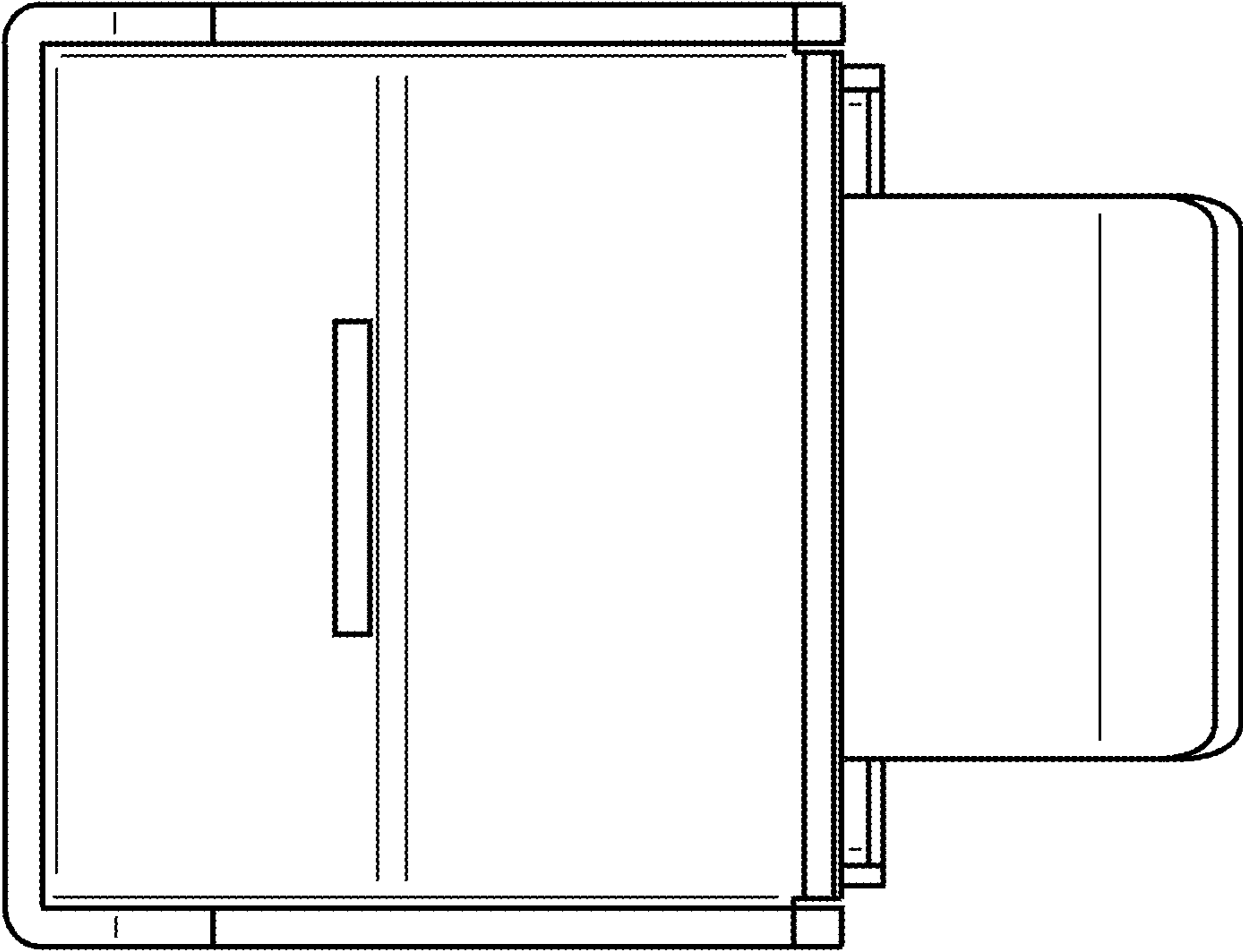


FIG. 7

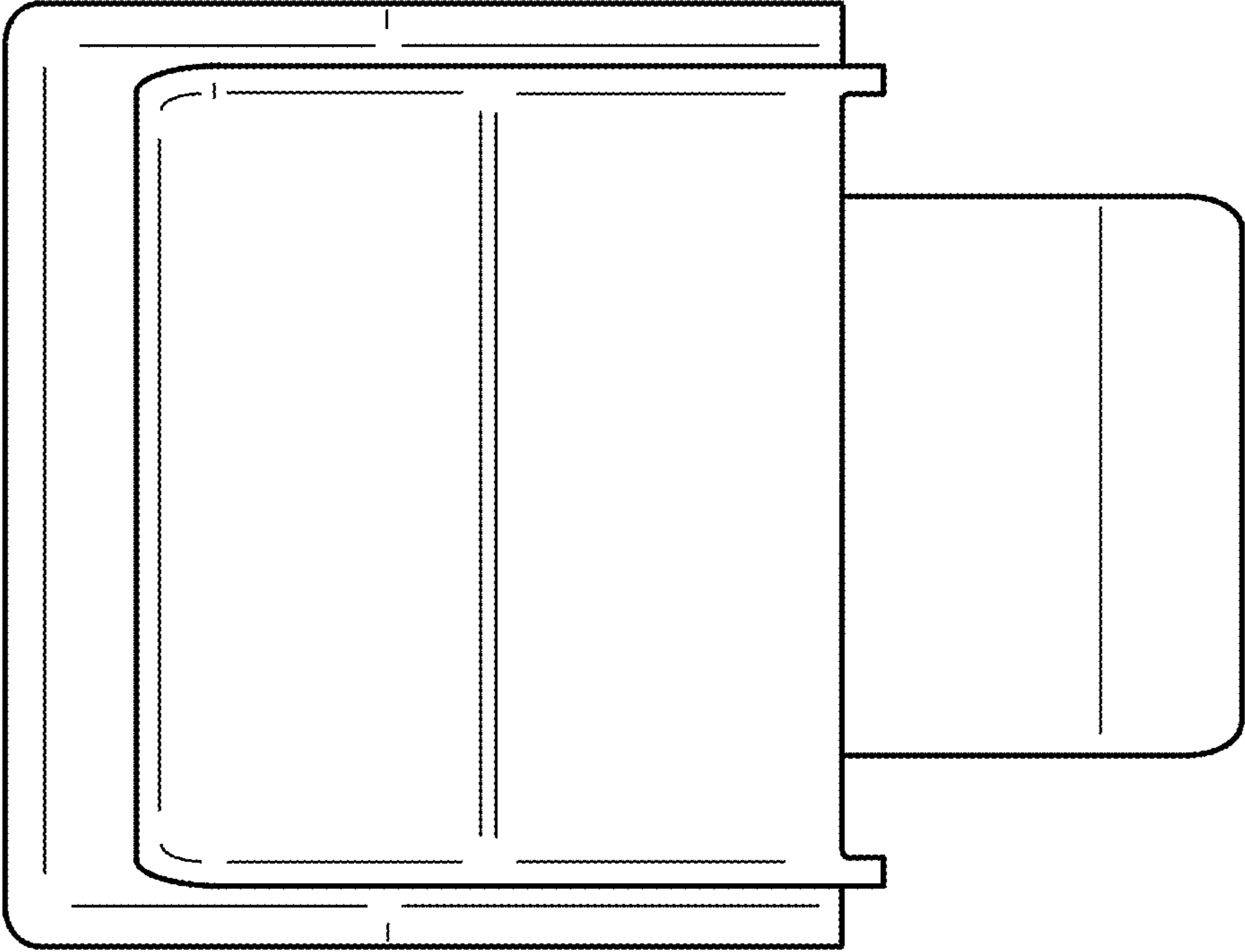


FIG. 6

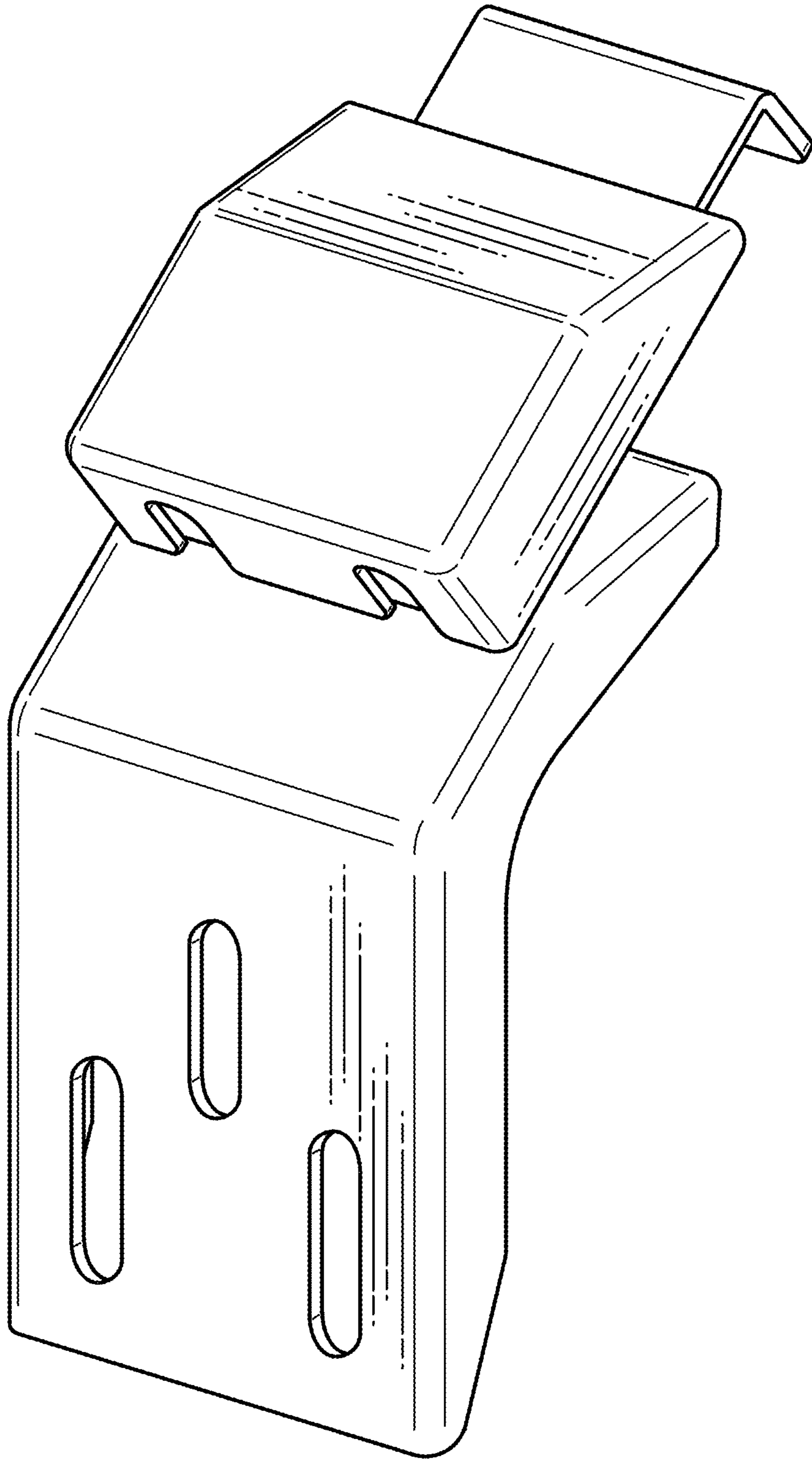


FIG. 8