



US00D881791S

(12) **United States Design Patent**
Ni et al.

(10) **Patent No.:** **US D881,791 S**
(45) **Date of Patent:** **** Apr. 21, 2020**

- (54) **LUGGAGE RACK**
- (71) Applicant: **Weixiang Tong**, Jinhua (CN)
- (72) Inventors: **Xiaojun Ni**, Jinhua (CN); **Chengsheng Fang**, Jinhua (CN); **Weixiang Tong**, Jinhua (CN)
- (73) Assignee: **FORCOME (ZHEJIANG) CO., LTD.**, Jinhua (CN)
- (**) Term: **15 Years**
- (21) Appl. No.: **29/682,518**
- (22) Filed: **Mar. 6, 2019**
- (51) **LOC (12) Cl.** **12-16**
- (52) **U.S. Cl.**
USPC **D12/406**
- (58) **Field of Classification Search**
USPC D12/401-414; D6/610-611
CPC B60R 9/00; B60R 9/02; B60R 9/04; B60R 9/08; B60R 9/042; B60R 9/0423; B60R 9/0426; B60R 9/045; B60R 9/048; B60R 9/0485; B60R 9/05; B60R 9/052; B60R 9/055; B60R 9/058; B60R 9/06; B60R 9/065; B60R 9/10; B60R 9/12
See application file for complete search history.

(56) **References Cited**

U.S. PATENT DOCUMENTS

- D632,634 S * 2/2011 Clausen D12/406
- D713,776 S * 9/2014 Steady B60R 9/06
D12/406

- D743,870 S * 11/2015 Galley D12/406
- D754,055 S * 4/2016 Harrison B60R 9/06
D12/406
- D841,564 S * 2/2019 Sartin D12/406
- D845,872 S * 4/2019 Monroe D12/406
- D856,900 S * 8/2019 Baumann B60D 1/58
D12/406
- 10,427,731 B2 * 10/2019 Favero B62D 33/0273
- 2007/0175937 A1 * 8/2007 Caldwell B60R 9/06
224/401
- 2011/0259931 A1 * 10/2011 Rellergert B60R 7/08
224/401
- 2019/0315422 A1 * 10/2019 Maffe' B62J 7/06

* cited by examiner

Primary Examiner — Katrina A Betton

(74) *Attorney, Agent, or Firm* — SZDC Law P.C.

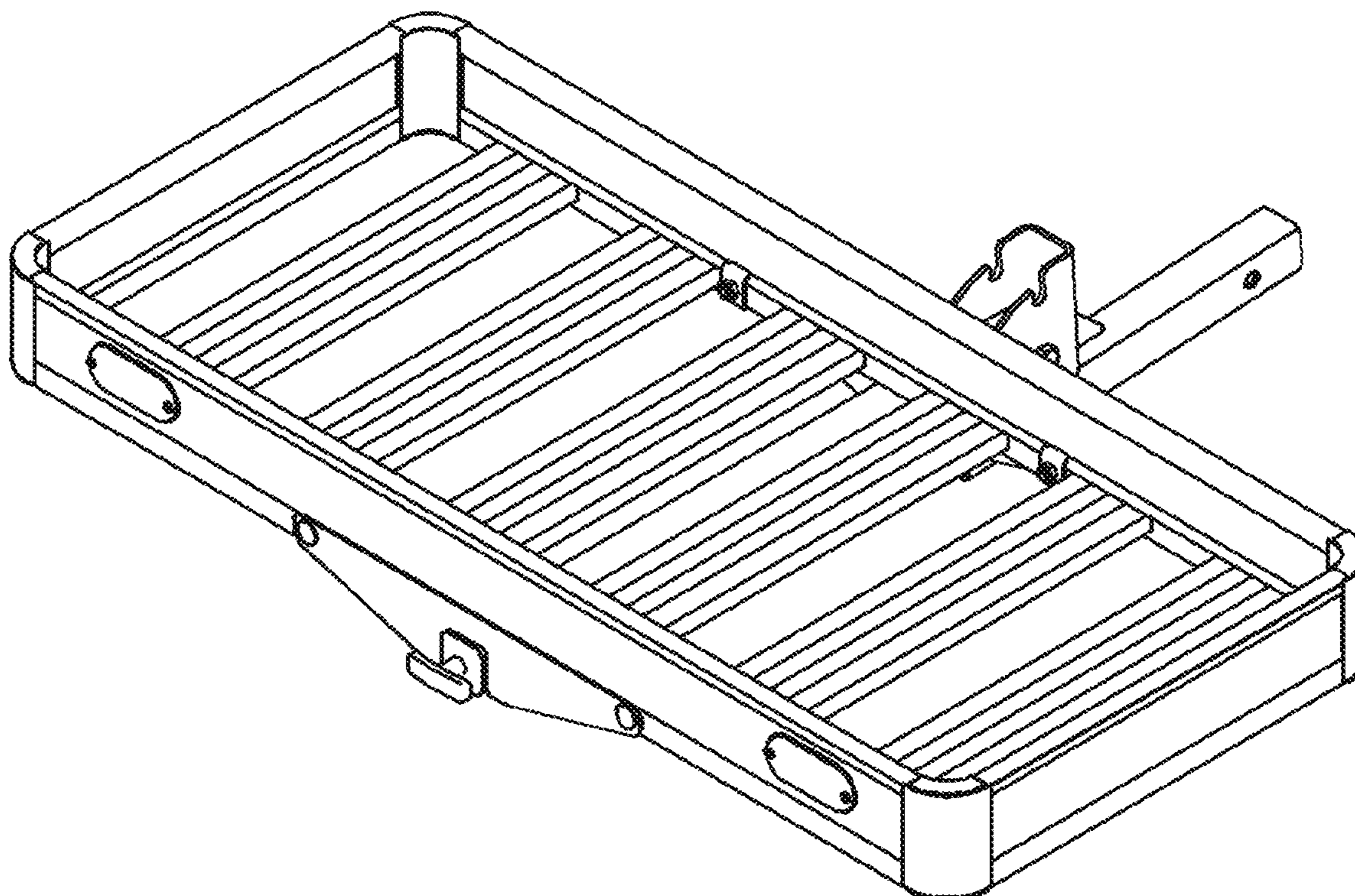
(57) **CLAIM**

The ornamental design for a luggage rack, as shown and described.

DESCRIPTION

FIG. 1 is a front perspective view of the luggage rack;
FIG. 2 is a back perspective view thereof;
FIG. 3 is a front view thereof;
FIG. 4 is a back view thereof;
FIG. 5 is a left view thereof;
FIG. 6 is a right view thereof;
FIG. 7 is a top view thereof; and,
FIG. 8 is a bottom view thereof.

1 Claim, 8 Drawing Sheets



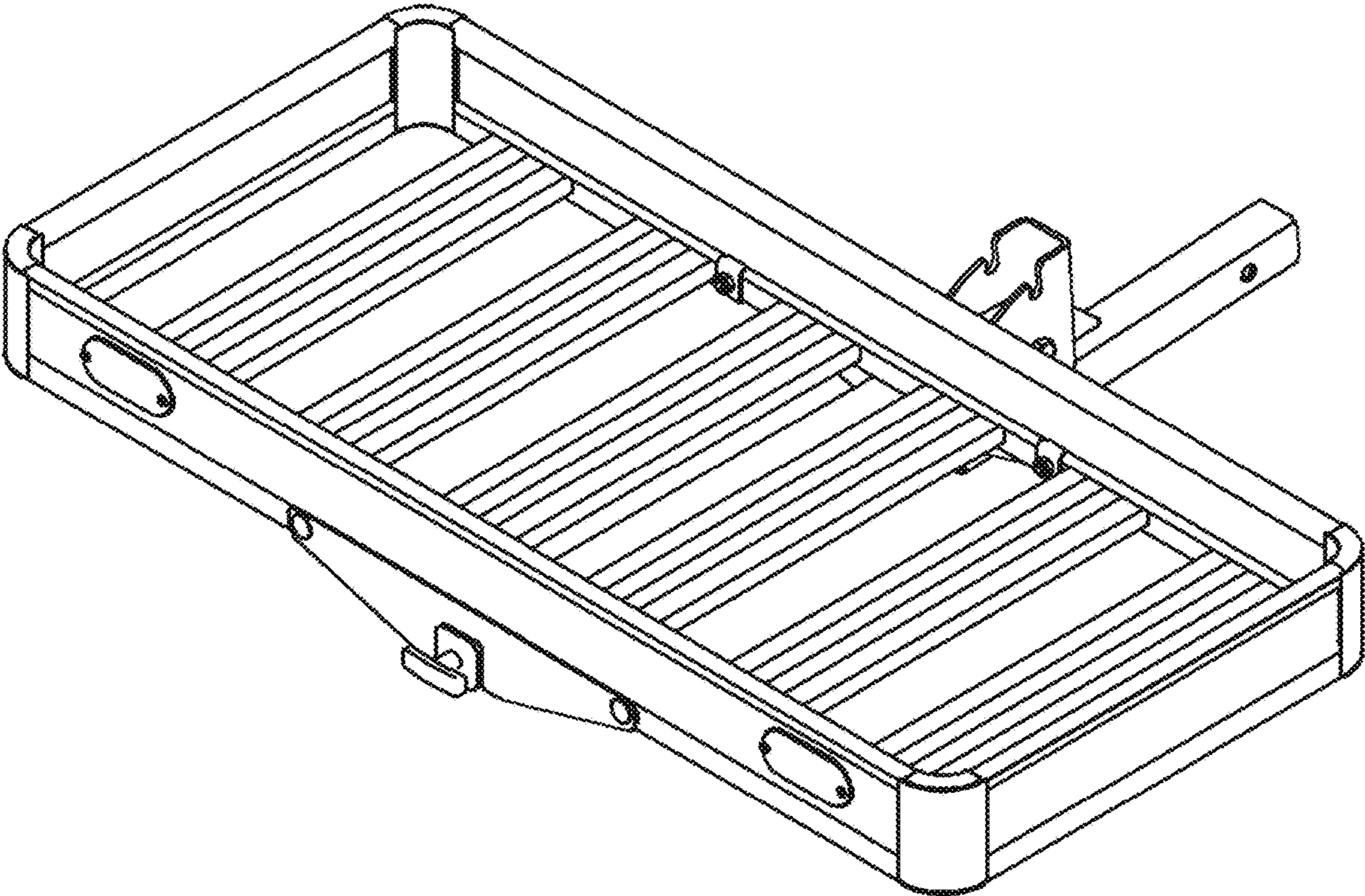


FIG. 1

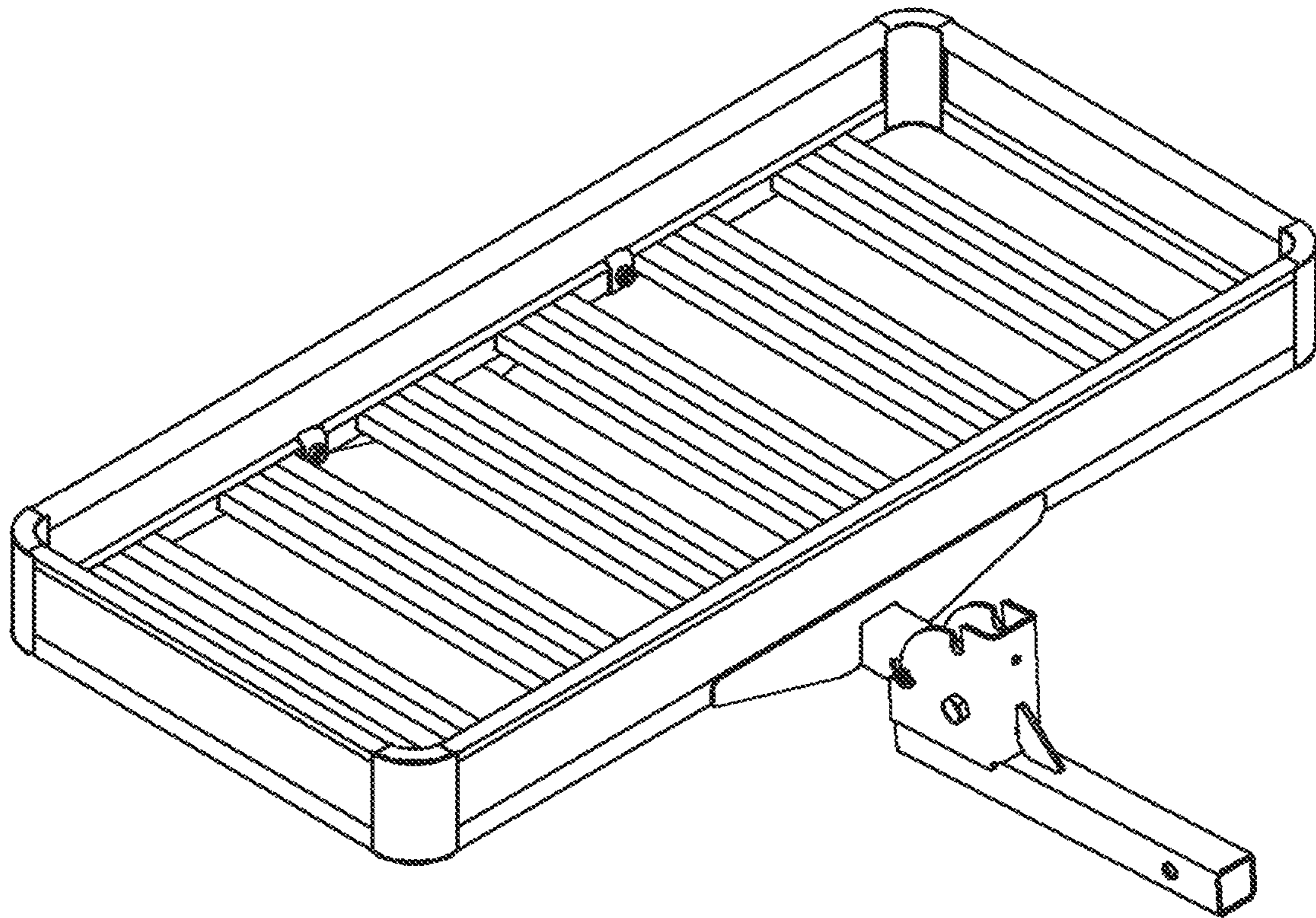


FIG. 2

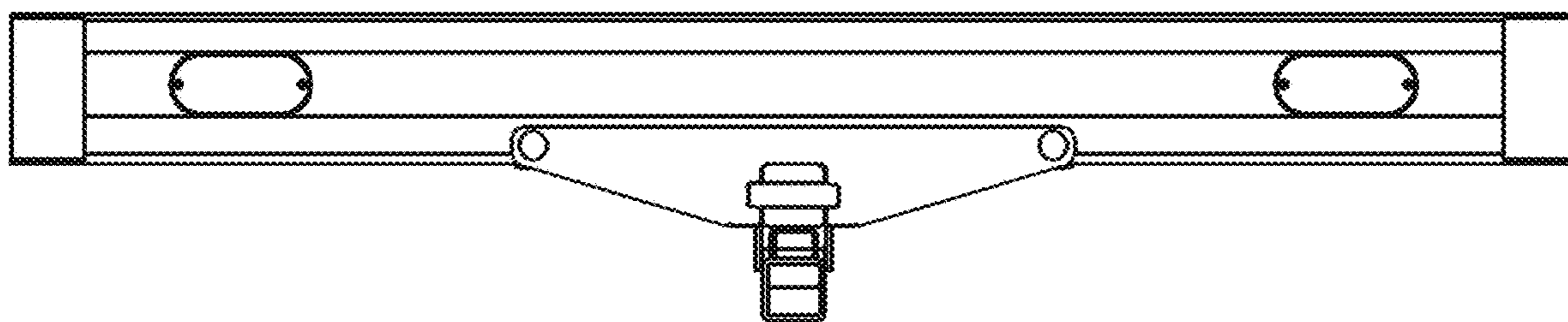


FIG. 3

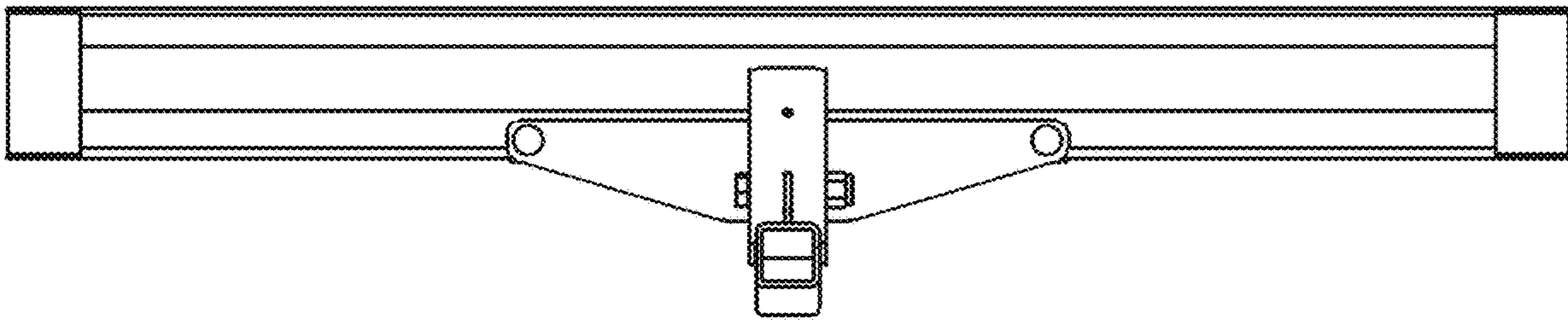


FIG. 4

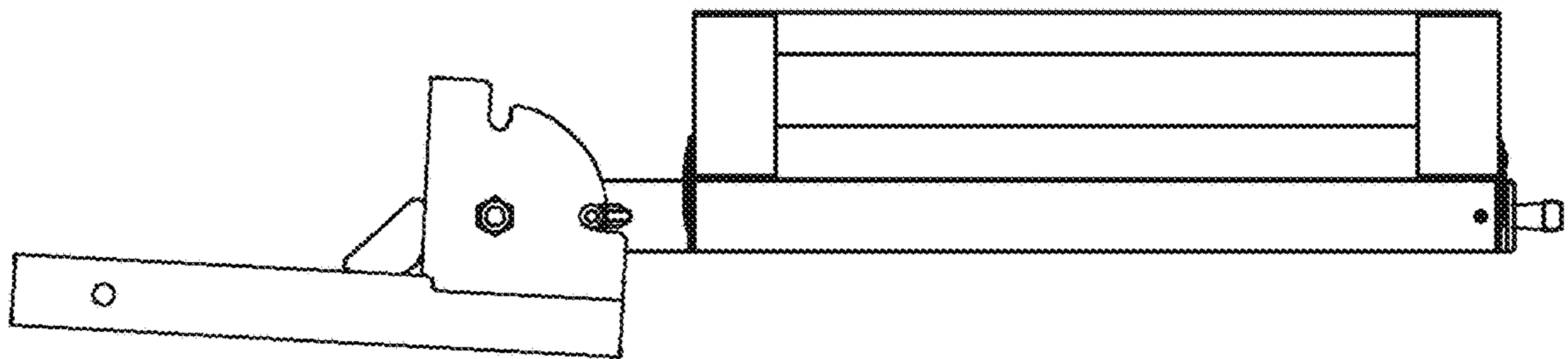


FIG. 5

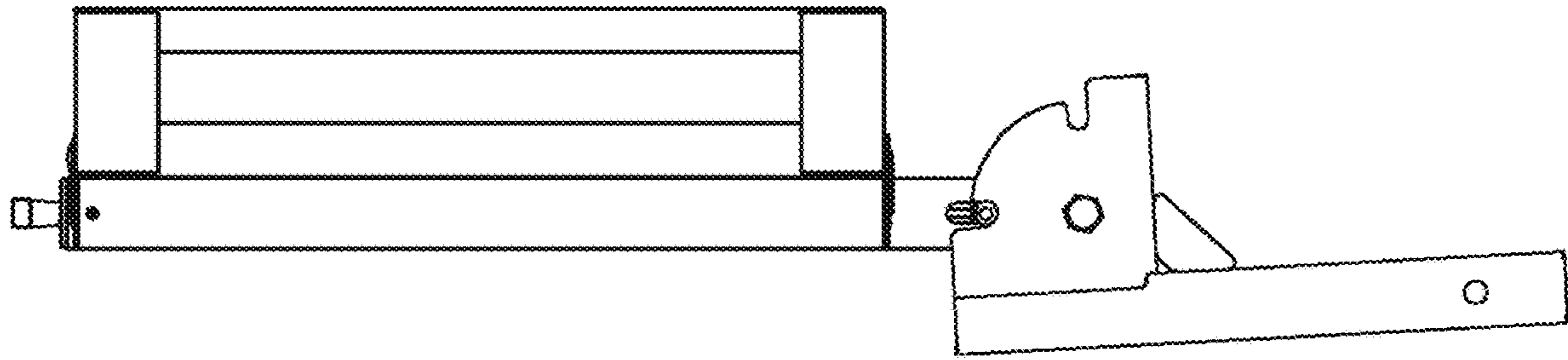


FIG. 6

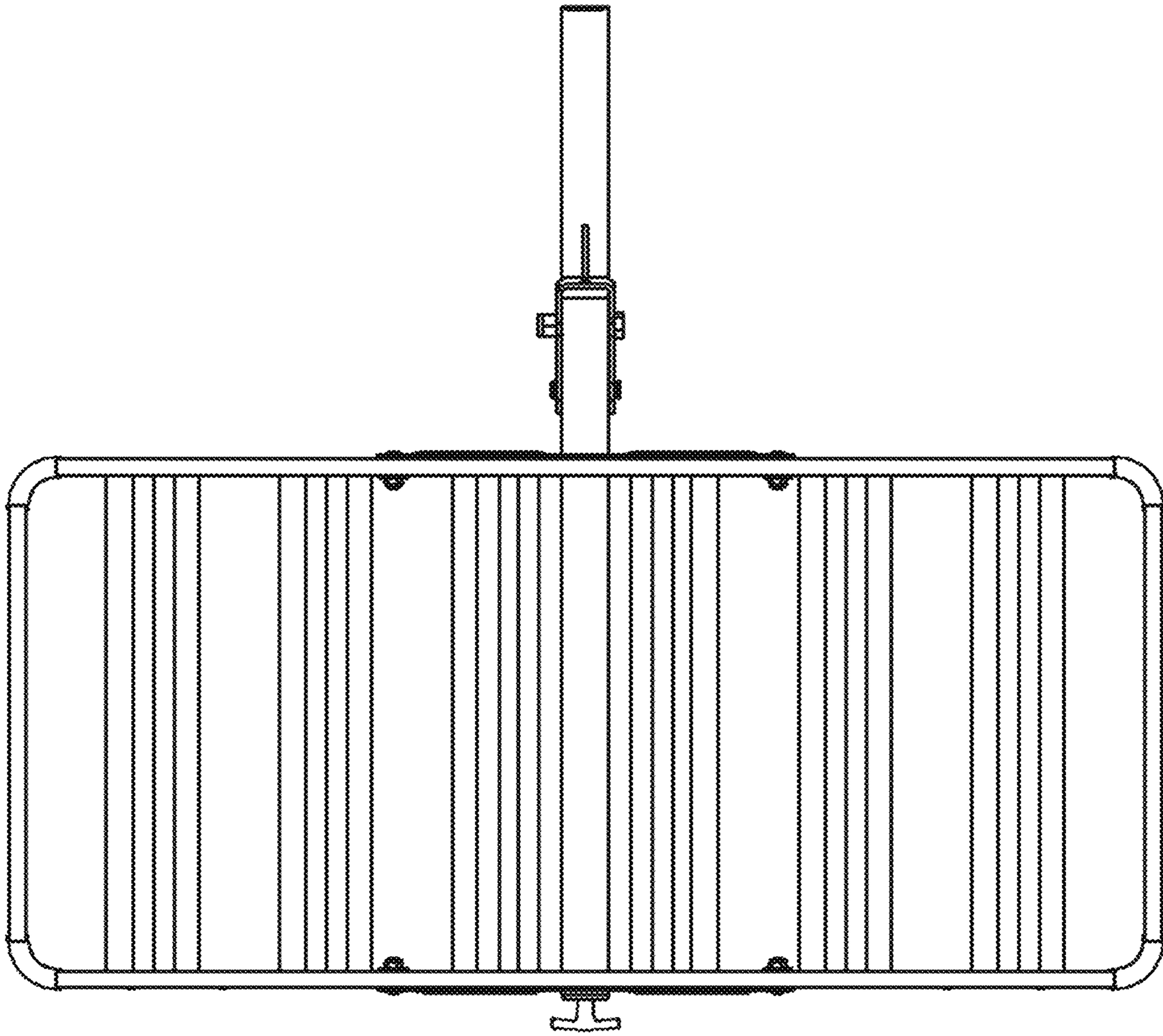


FIG. 7

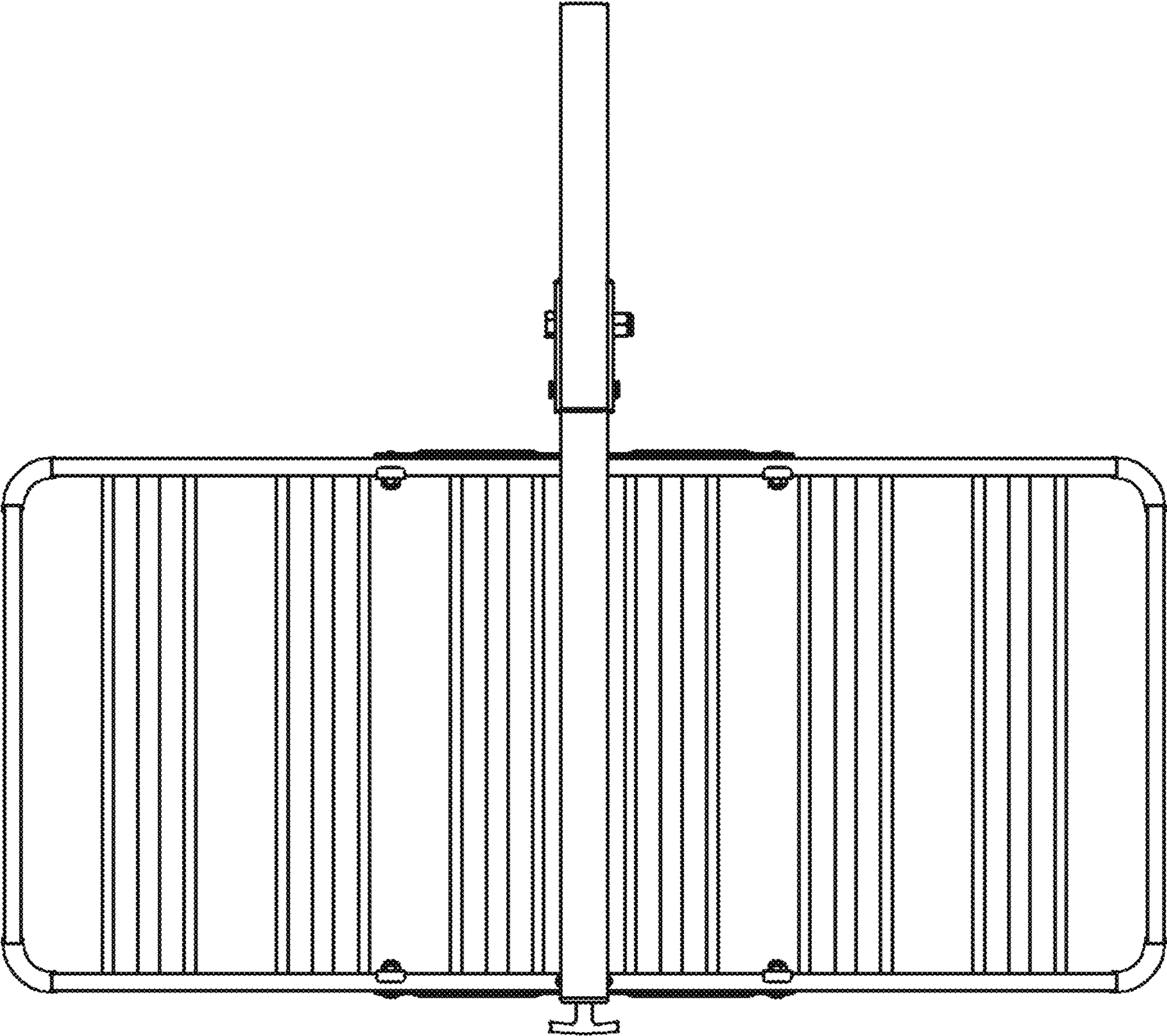


FIG. 8