



US00D881790S

(12) **United States Design Patent**  
**Ni et al.**

(10) **Patent No.:** **US D881,790 S**  
(45) **Date of Patent:** **\*\* Apr. 21, 2020**

(54) **LUGGAGE RACK**

(71) Applicant: **Weixiang Tong**, Jinhua (CN)

(72) Inventors: **Xiaojun Ni**, Jinhua (CN); **Chengsheng Fang**, Jinhua (CN); **Weixiang Tong**, Jinhua (CN)

(73) Assignee: **FORCOME (ZHEJIANG) CO., LTD.**, Jinhua (CN)

(\*\*) Term: **15 Years**

(21) Appl. No.: **29/682,516**

(22) Filed: **Mar. 6, 2019**

(51) **LOC (12) Cl.** ..... **12-16**

(52) **U.S. Cl.**  
USPC ..... **D12/406**

(58) **Field of Classification Search**  
USPC ..... D12/401-414; D6/610-611  
CPC .... B60R 9/00; B60R 9/02; B60R 9/04; B60R 9/08; B60R 9/042; B60R 9/0423; B60R 9/0426; B60R 9/045; B60R 9/048; B60R 9/0485; B60R 9/05; B60R 9/052; B60R 9/055; B60R 9/058; B60R 9/06; B60R 9/065; B60R 9/10; B60R 9/12  
See application file for complete search history.

(56) **References Cited**

**U.S. PATENT DOCUMENTS**

D632,634 S \* 2/2011 Clausen ..... D12/406  
D713,776 S \* 9/2014 Steady ..... B60R 9/06  
D12/406

D743,870 S \* 11/2015 Galley ..... D12/406  
D754,055 S \* 4/2016 Harrison ..... B60R 9/06  
D12/406  
D841,564 S \* 2/2019 Sartin ..... D12/406  
D845,872 S \* 4/2019 Monroe ..... D12/406  
D856,900 S \* 8/2019 Baumann ..... B60D 1/58  
D12/406  
10,427,731 B2 \* 10/2019 Favero ..... B62D 33/0273  
2007/0175937 A1 \* 8/2007 Caldwell ..... B60R 9/06  
224/401  
2011/0259931 A1 \* 10/2011 Rellergert ..... B60R 7/08  
224/401  
2019/0315422 A1 \* 10/2019 Maffe' ..... B62J 7/06

\* cited by examiner

*Primary Examiner* — Katrina A Betton

(74) *Attorney, Agent, or Firm* — SZDC Law P.C.

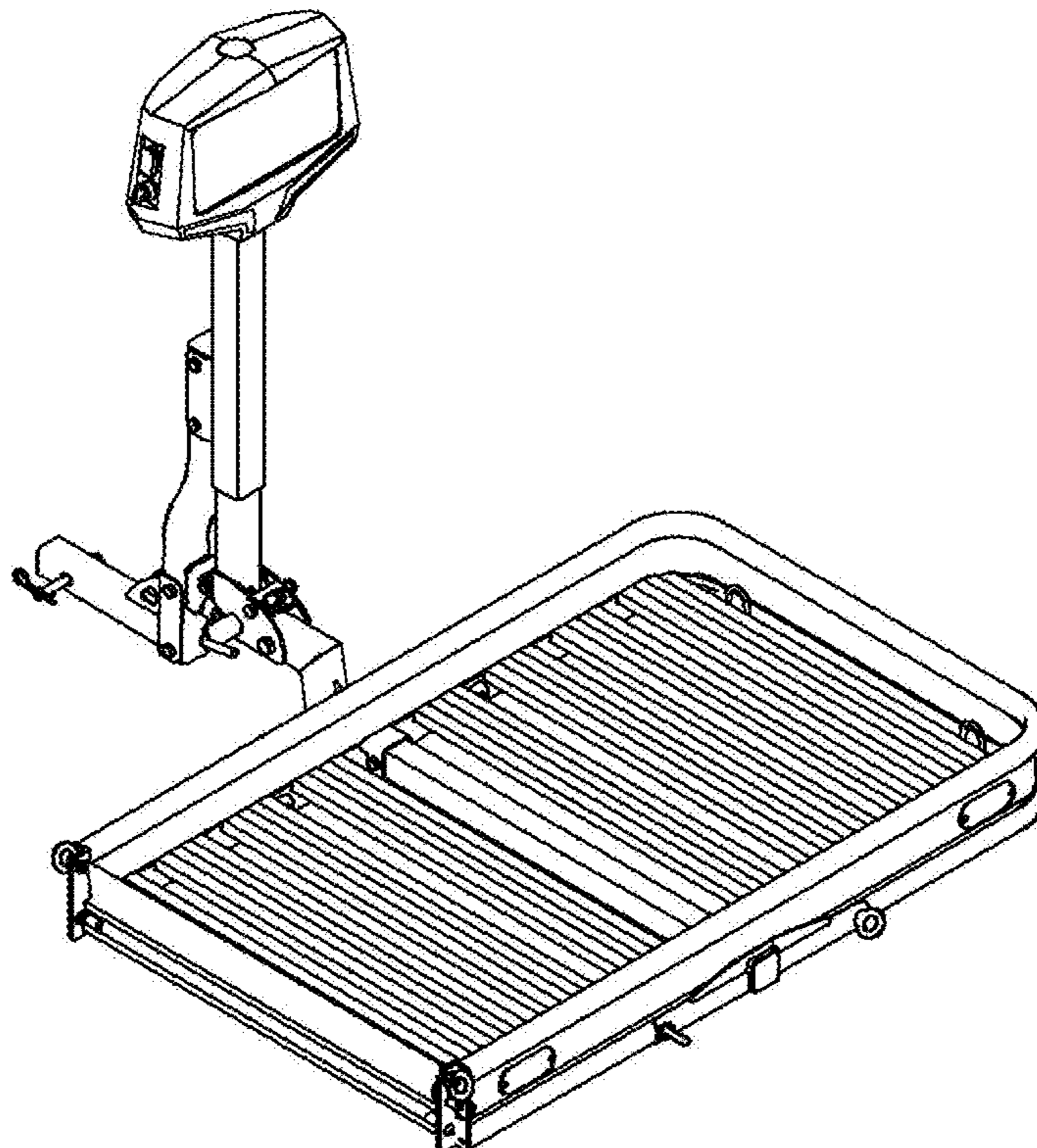
(57) **CLAIM**

The ornamental design for a luggage rack, as shown and described.

**DESCRIPTION**

FIG. 1 is a front perspective view of the luggage rack;  
FIG. 2 is a back perspective view thereof;  
FIG. 3 is a front view thereof;  
FIG. 4 is a back view thereof;  
FIG. 5 is a left view thereof;  
FIG. 6 is a right view thereof;  
FIG. 7 is a top view thereof; and,  
FIG. 8 is a bottom view thereof.

**1 Claim, 8 Drawing Sheets**



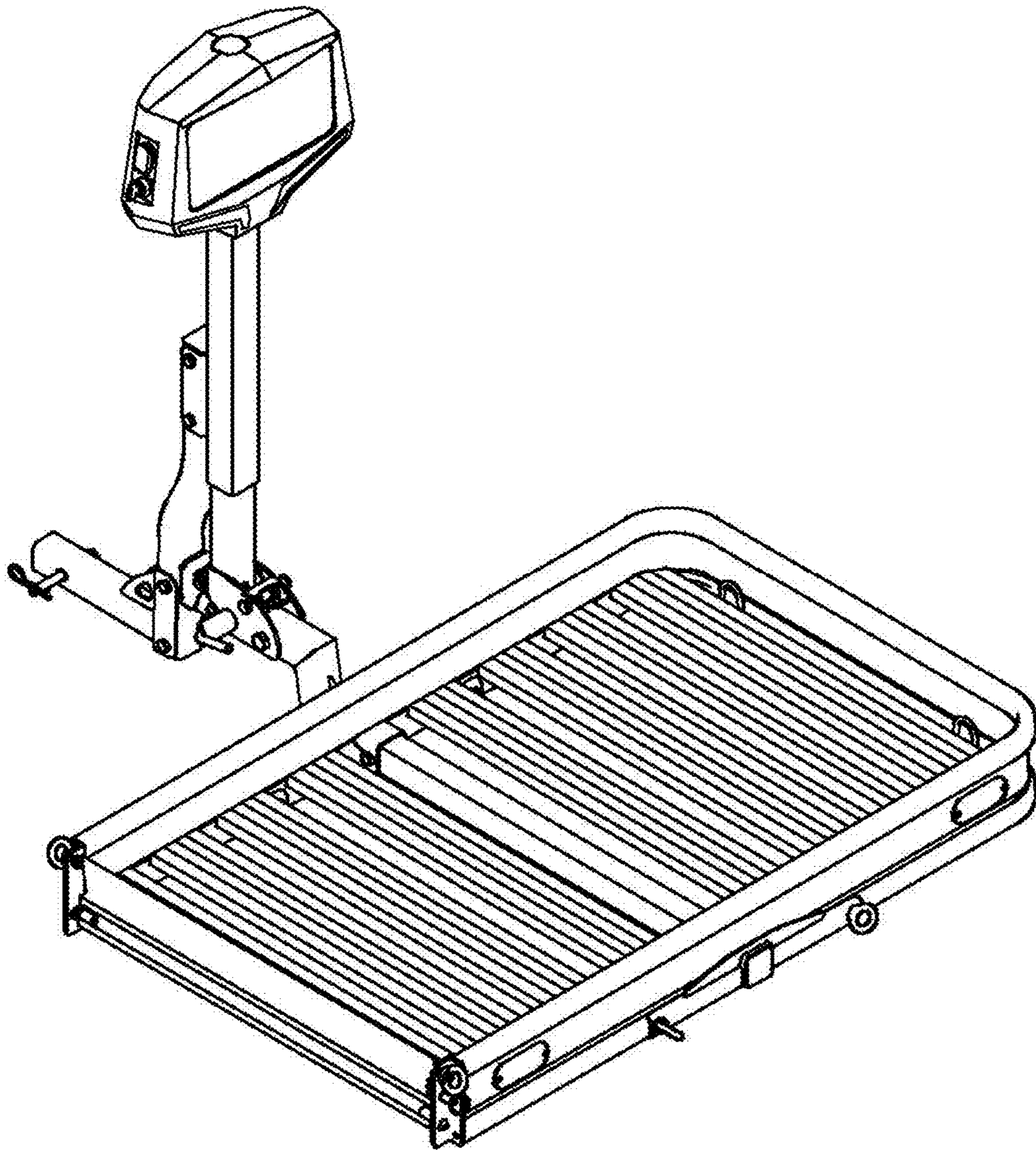


FIG. 1

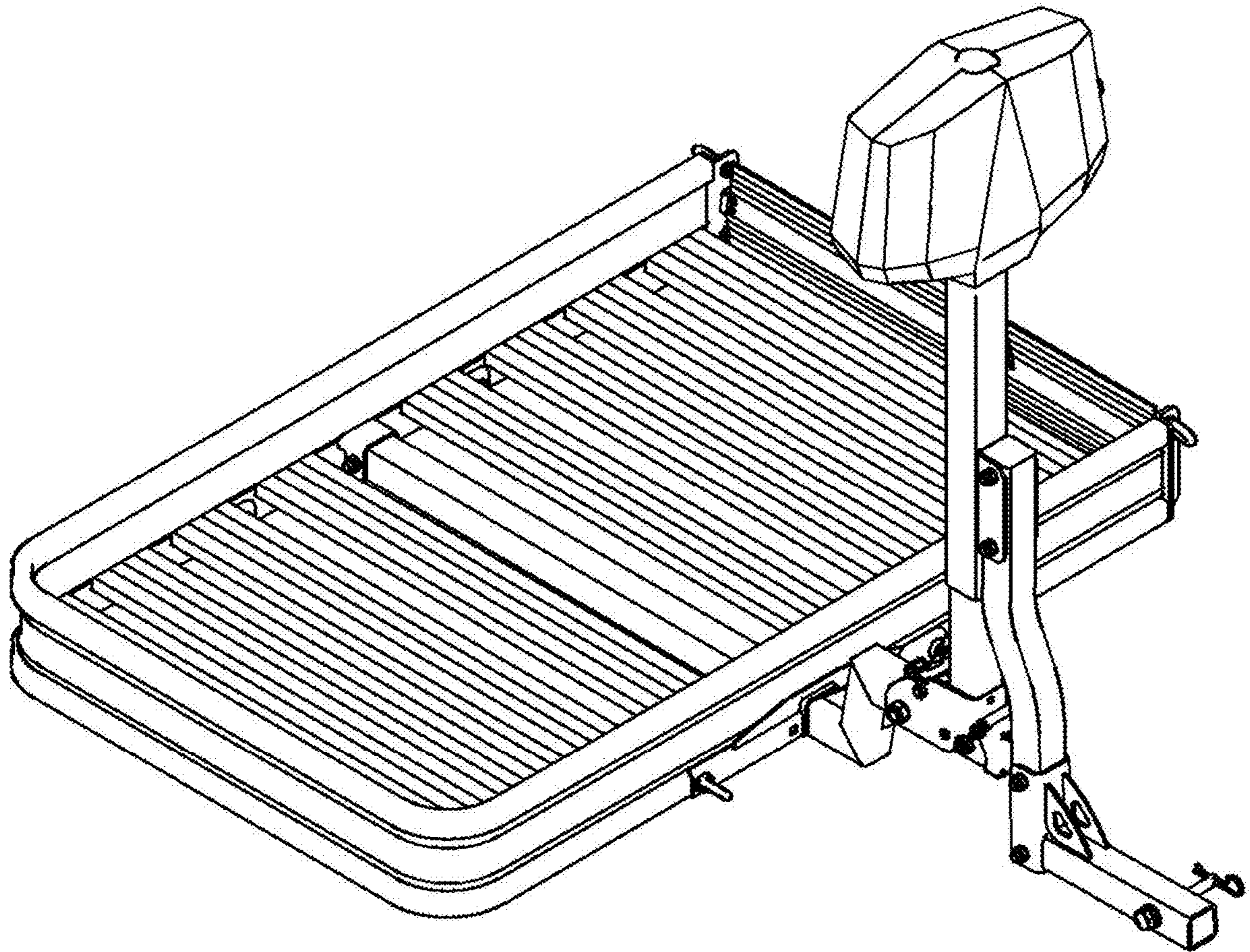


FIG. 2

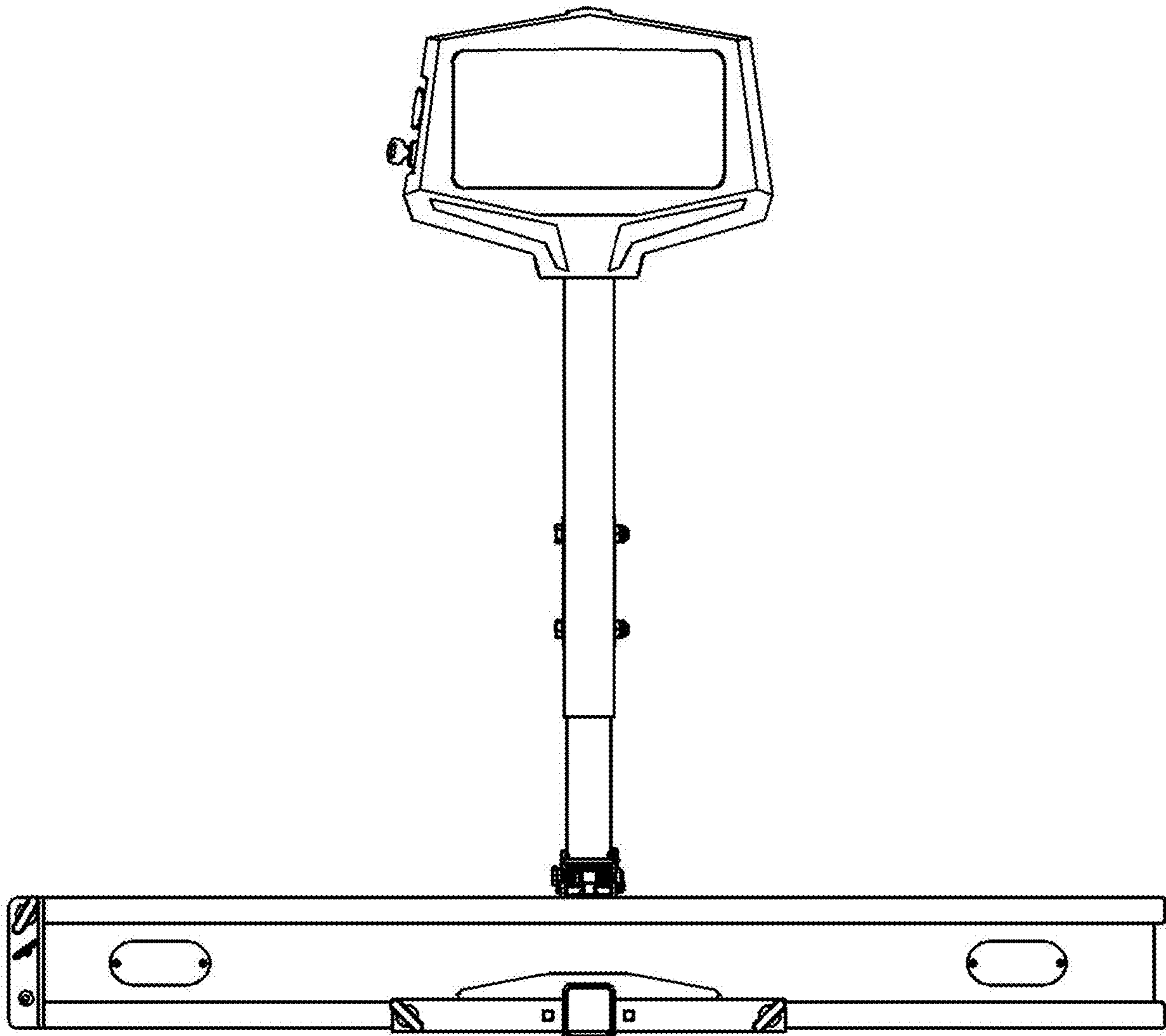


FIG. 3

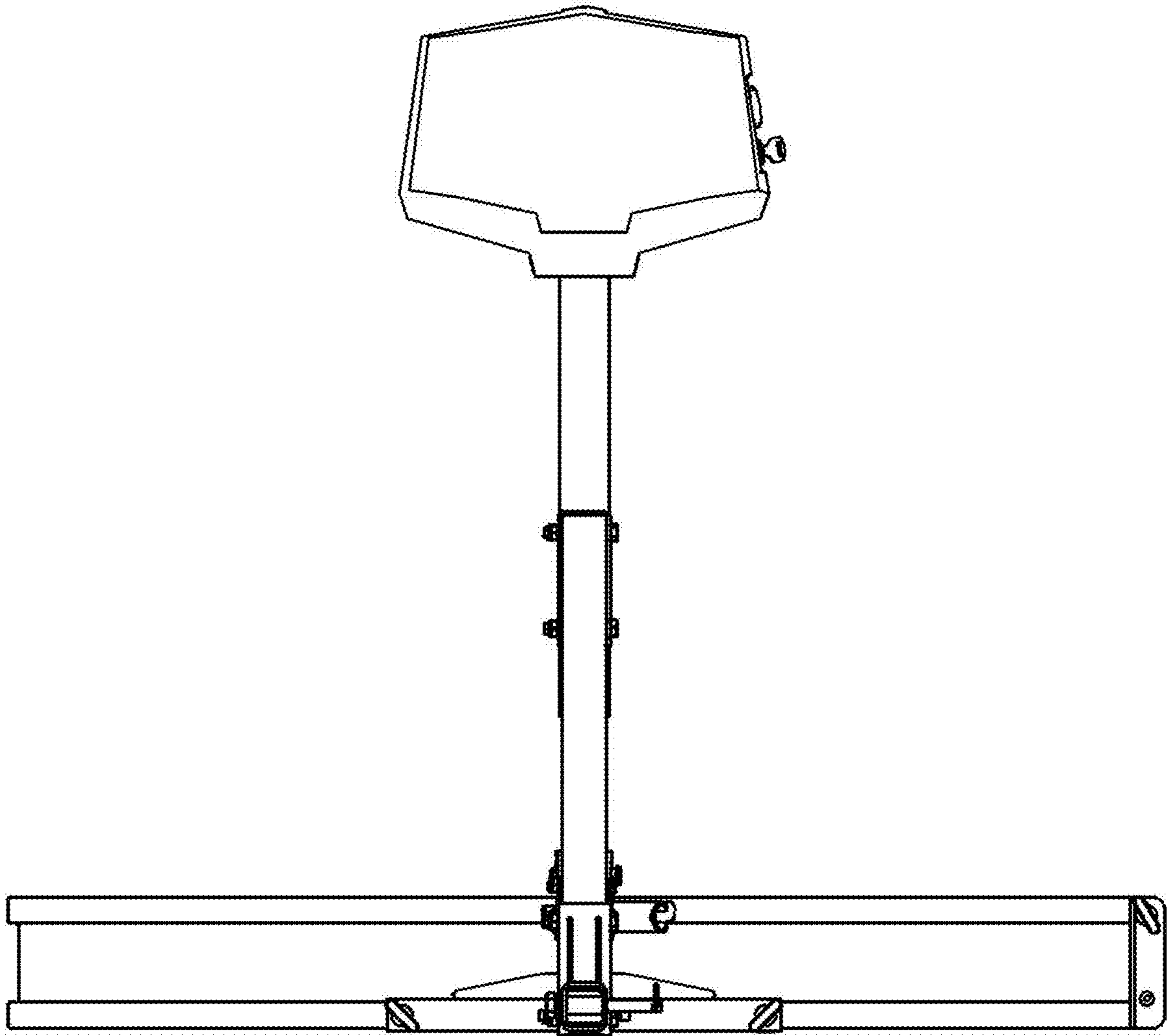


FIG. 4

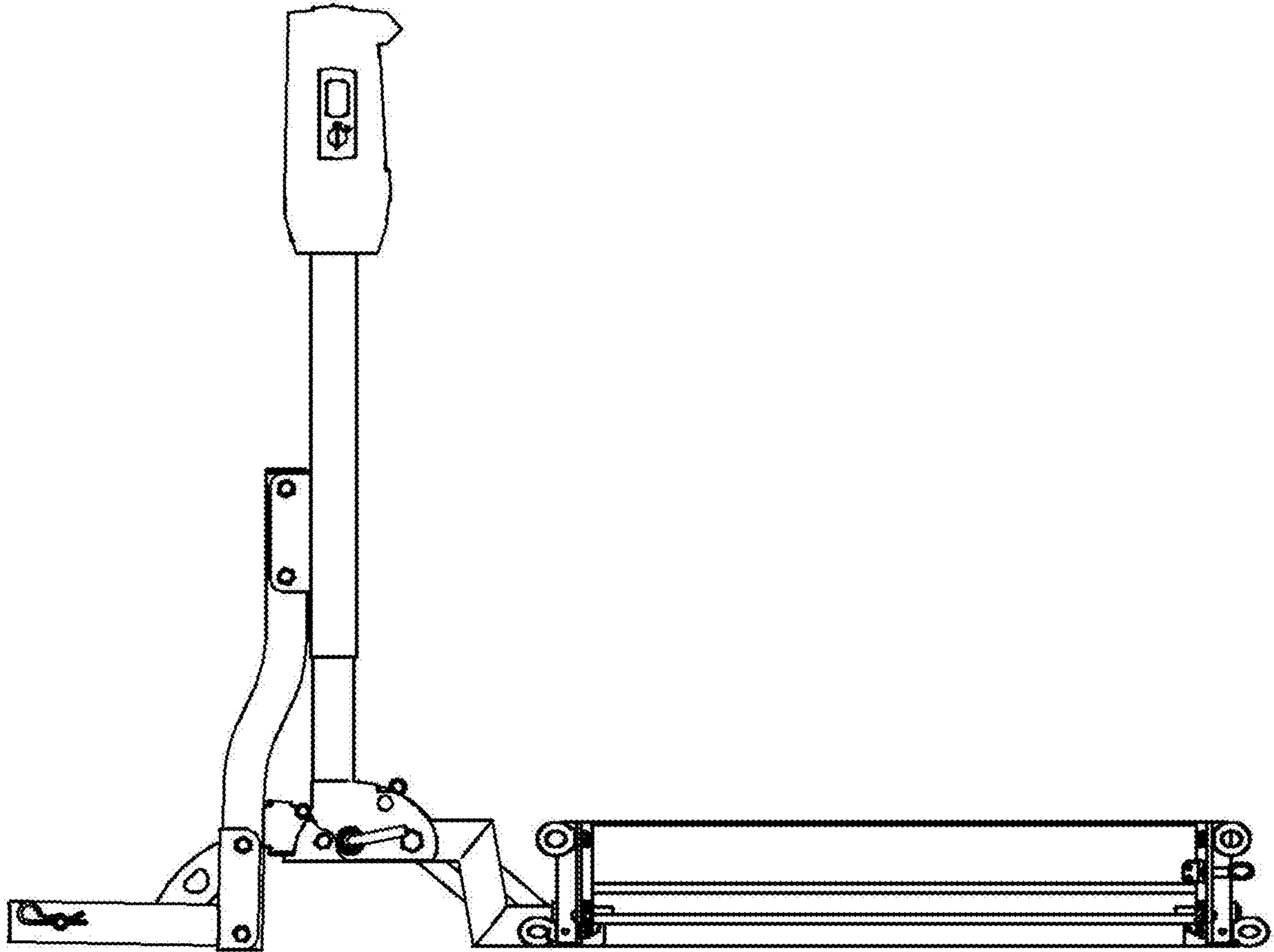


FIG. 5

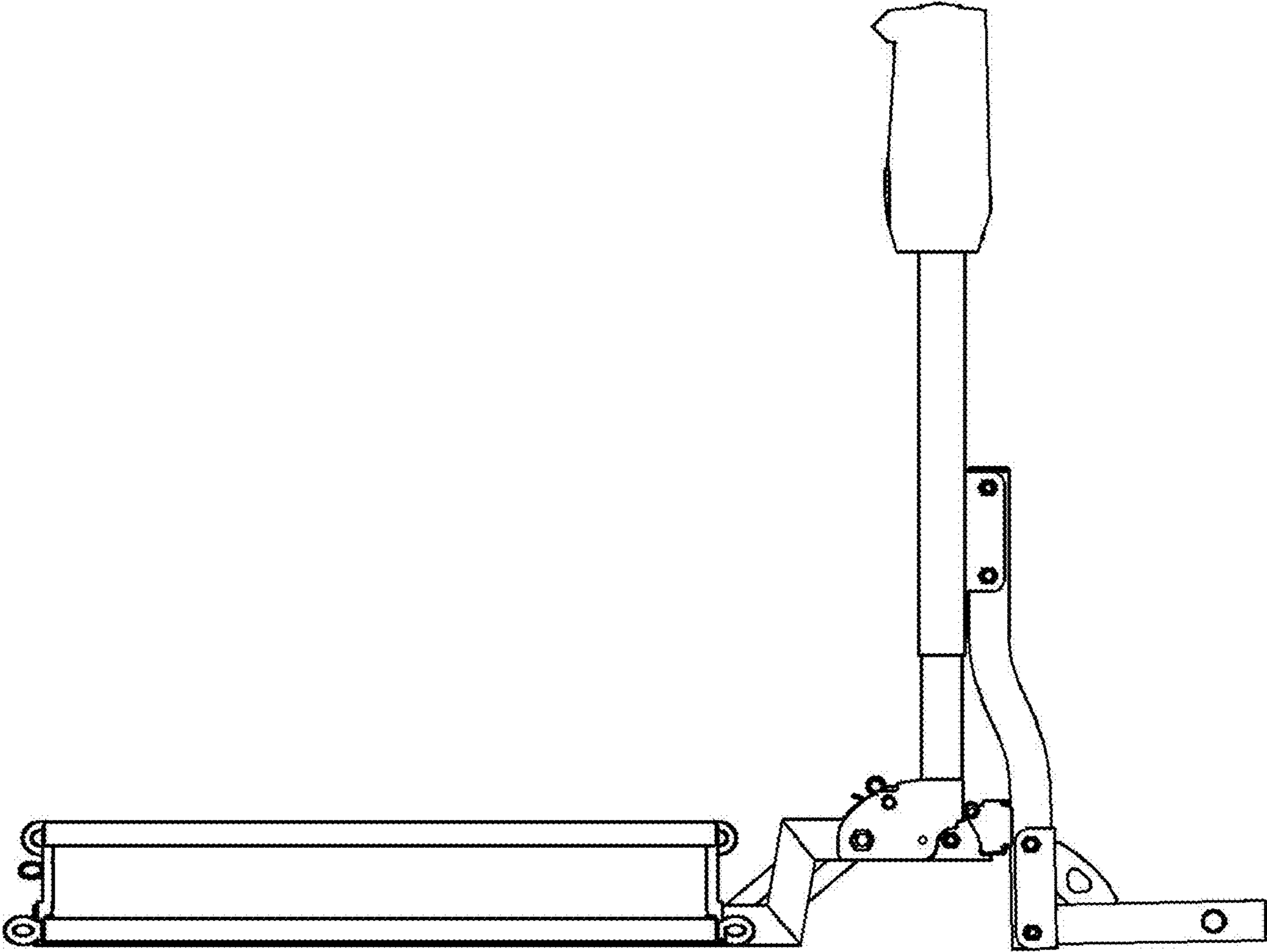


FIG. 6

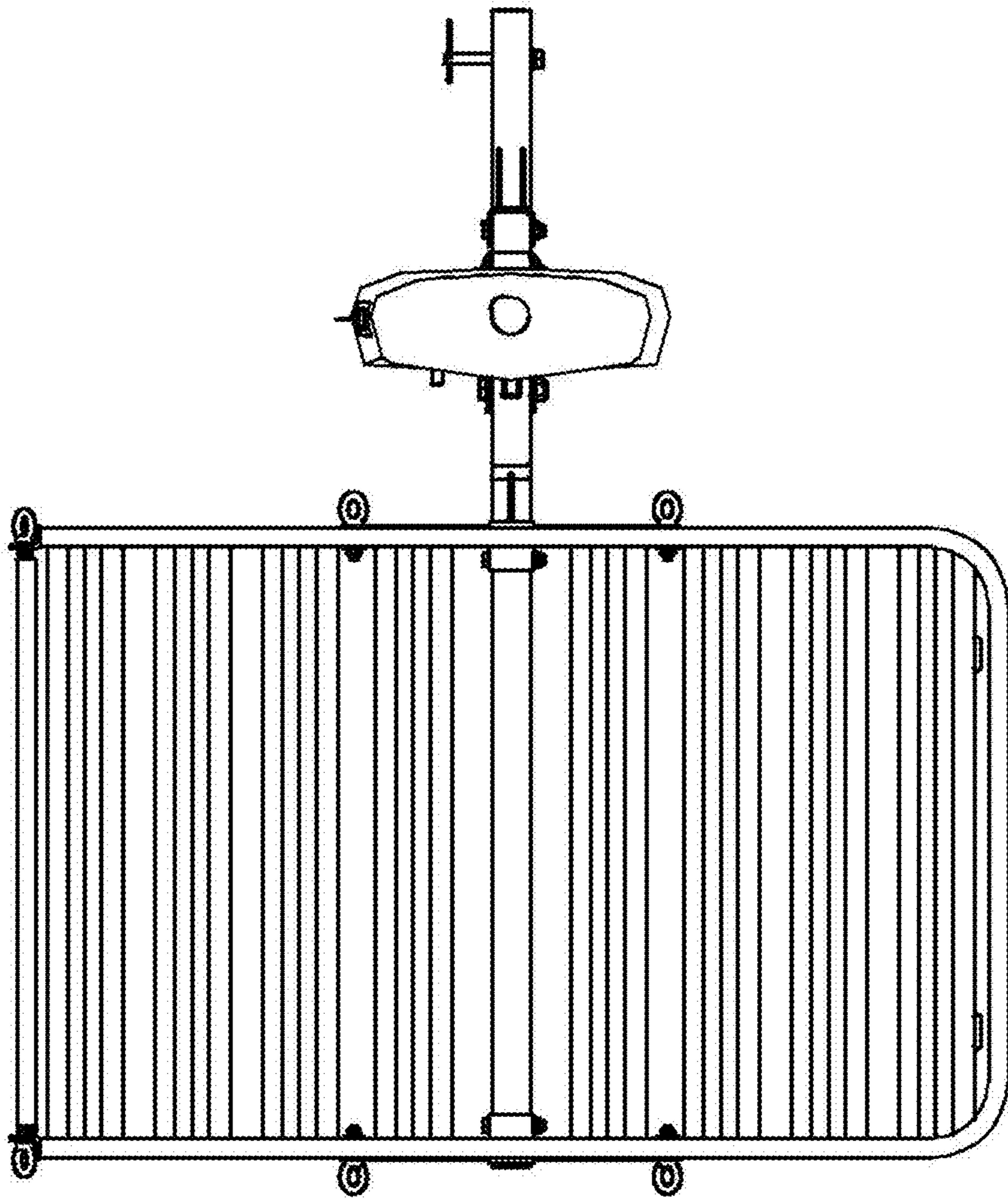


FIG. 7



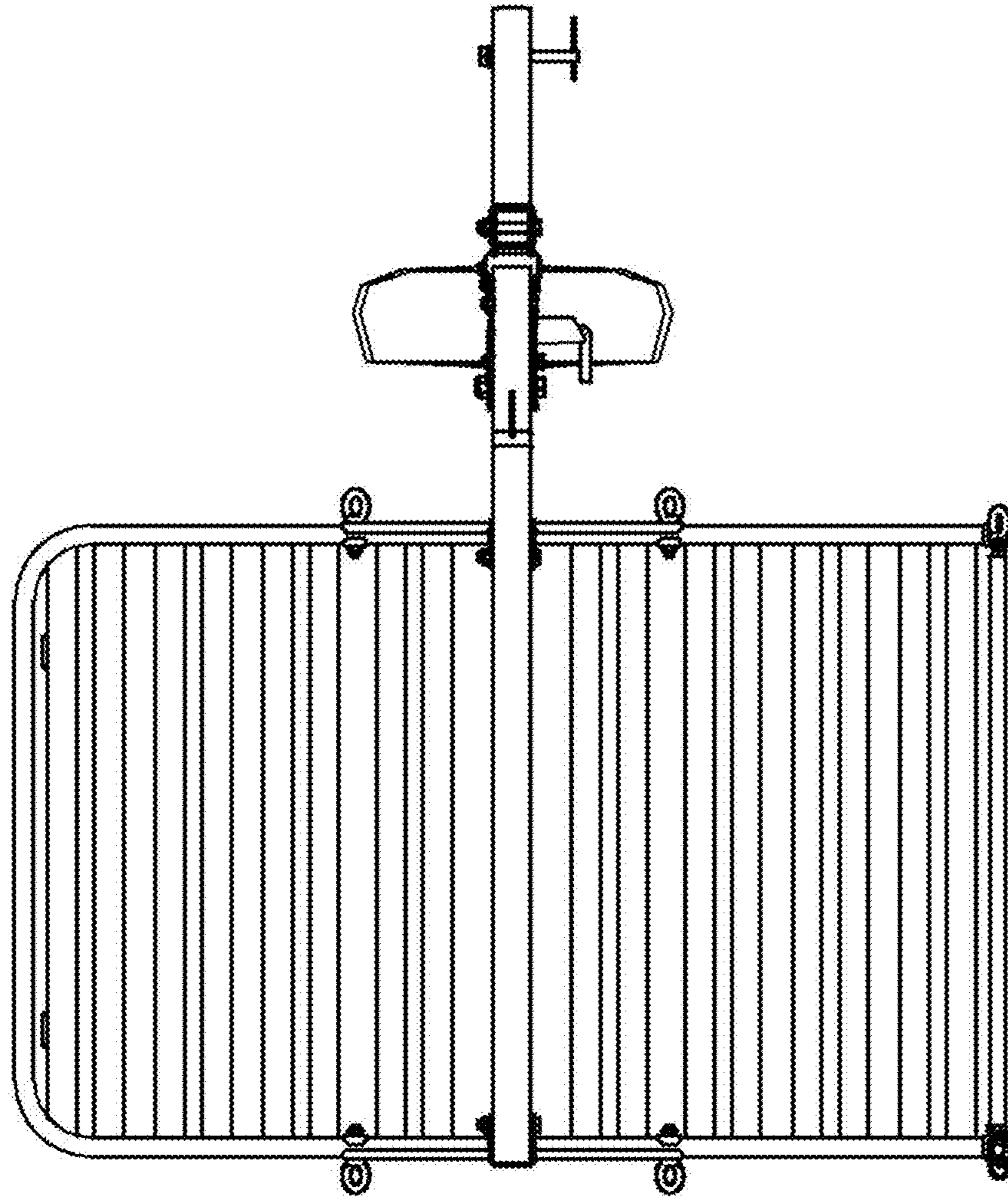


FIG. 8