



US00D881788S

(12) **United States Design Patent**  
**Tian**

(10) **Patent No.:** **US D881,788 S**

(45) **Date of Patent:** **\*\* \*Apr. 21, 2020**

- (54) **FIXED-WING VTOL DRONE**
- (71) Applicant: **Yu Tian**, Hong Kong (HK)
- (72) Inventor: **Yu Tian**, Hong Kong (HK)
- (\*) Notice: This patent is subject to a terminal disclaimer.
- (\*\*) Term: **15 Years**
- (21) Appl. No.: **29/658,364**
- (22) Filed: **Jul. 30, 2018**
- (51) **LOC (12) Cl.** ..... **12-06**
- (52) **U.S. Cl.**  
USPC ..... **D12/328**; D12/326
- (58) **Field of Classification Search**  
USPC ..... D12/1-4, 16.1, 319-345; D21/436-454  
CPC ..... B64C 39/024; B64C 13/16; B64C 19/00;  
B64C 2201/021; B64C 2201/141; B60H  
1/3442  
See application file for complete search history.

(56) **References Cited**

U.S. PATENT DOCUMENTS

D112,834 S *	1/1939	Seversky	.....	D12/324
D342,934 S *	1/1994	Weitemier	.....	D12/300
5,415,365 A *	5/1995	Ratliff	.....	B64C 35/00
				114/271
D571,708 S *	6/2008	Wai	.....	D12/319
D605,576 S *	12/2009	Posva	.....	D12/343
D618,591 S *	6/2010	Nagapetyan	.....	D12/3
D627,404 S *	11/2010	Suzuki	.....	D12/319
D678,169 S *	3/2013	Kennelly	.....	D12/319
D760,638 S *	7/2016	Beskar	.....	D12/344
9,898,033 B1 *	2/2018	Long	.....	G01D 5/145
D822,579 S *	7/2018	Lienhard	.....	D12/328
D824,804 S *	8/2018	Tian	.....	D12/16.1
10,081,436 B1 *	9/2018	Tian	.....	B64D 31/00
D832,154 S *	10/2018	Tian	.....	D12/161
D843,306 S *	3/2019	Tzarnotzky	.....	D12/329

D843,889 S *	3/2019	Merrill	.....	D12/16.1
D843,919 S *	3/2019	Tzarnotzky	.....	D12/329
10,259,563 B2 *	4/2019	Long	.....	B64C 11/02
D852,092 S *	6/2019	Woodworth	.....	D12/16.1
10,308,360 B2 *	6/2019	Sopper	.....	B65D 5/18
10,322,814 B1 *	6/2019	Tian	.....	B64D 31/00
D852,720 S *	7/2019	Zeldin	.....	D12/320
D852,825 S *	7/2019	Selwa	.....	D14/485
10,340,820 B2 *	7/2019	Woodworth	.....	B64C 39/024
2014/0158815 A1 *	6/2014	Renteria	.....	B64C 29/0025
				244/12.1
2016/0236774 A1 *	8/2016	Niedzballa	.....	B64C 27/30
2017/0300067 A1 *	10/2017	Douglas	.....	B64C 29/0025

(Continued)

Primary Examiner — Marissa J Cash

(74) *Attorney, Agent, or Firm* — WPAT, P.C.; Anthony King

(57) **CLAIM**

The ornamental design for a fixed-wing VTOL drone, as shown and described.

**DESCRIPTION**

FIG. 1 is a perspective left top front side view of the fixed-wing VTOL drone, the perspective right top front side view being a mirror image thereof;

FIG. 2 is a left side view of the fixed-wing VTOL drone of FIG. 1, the right side being a mirror image thereof;

FIG. 3 is a top view of the fixed-wing VTOL drone of FIG. 1;

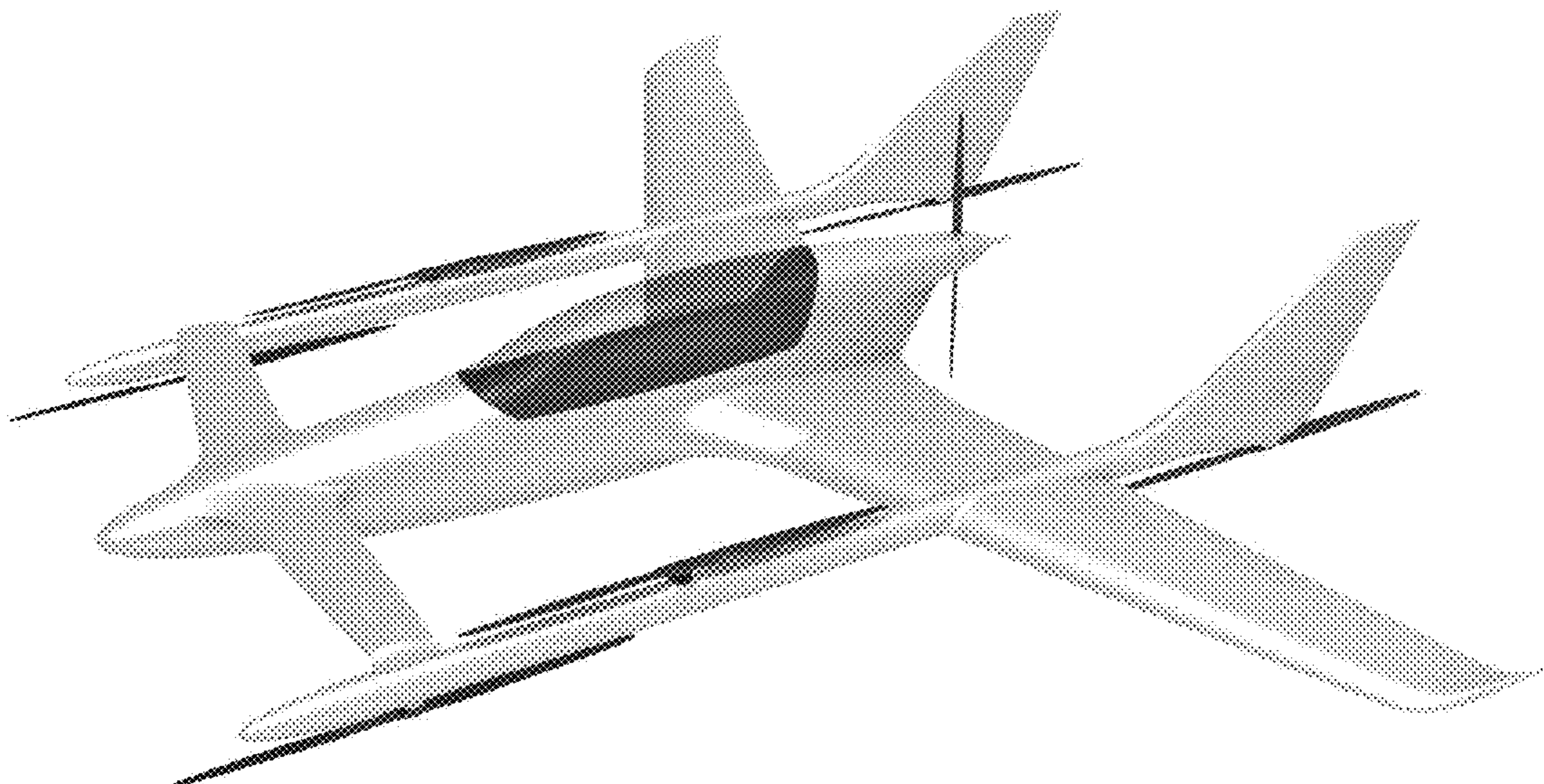
FIG. 4 is a bottom view of the fixed-wing VTOL drone of FIG. 1;

FIG. 5 is a front view of the fixed-wing VTOL drone of FIG. 1;

FIG. 6 is a rear view of the fixed-wing VTOL drone of FIG. 1; and,

FIG. 7 is a perspective left bottom rear side view of the fixed-wing VTOL drone, the perspective right bottom rear side view being a mirror image thereof.

**1 Claim, 7 Drawing Sheets**



(56)

**References Cited**

U.S. PATENT DOCUMENTS

2018/0290735 A1\* 10/2018 Uptigrove ..... B64D 35/04  
2018/0297711 A1\* 10/2018 Oldroyd ..... B64D 31/06

\* cited by examiner



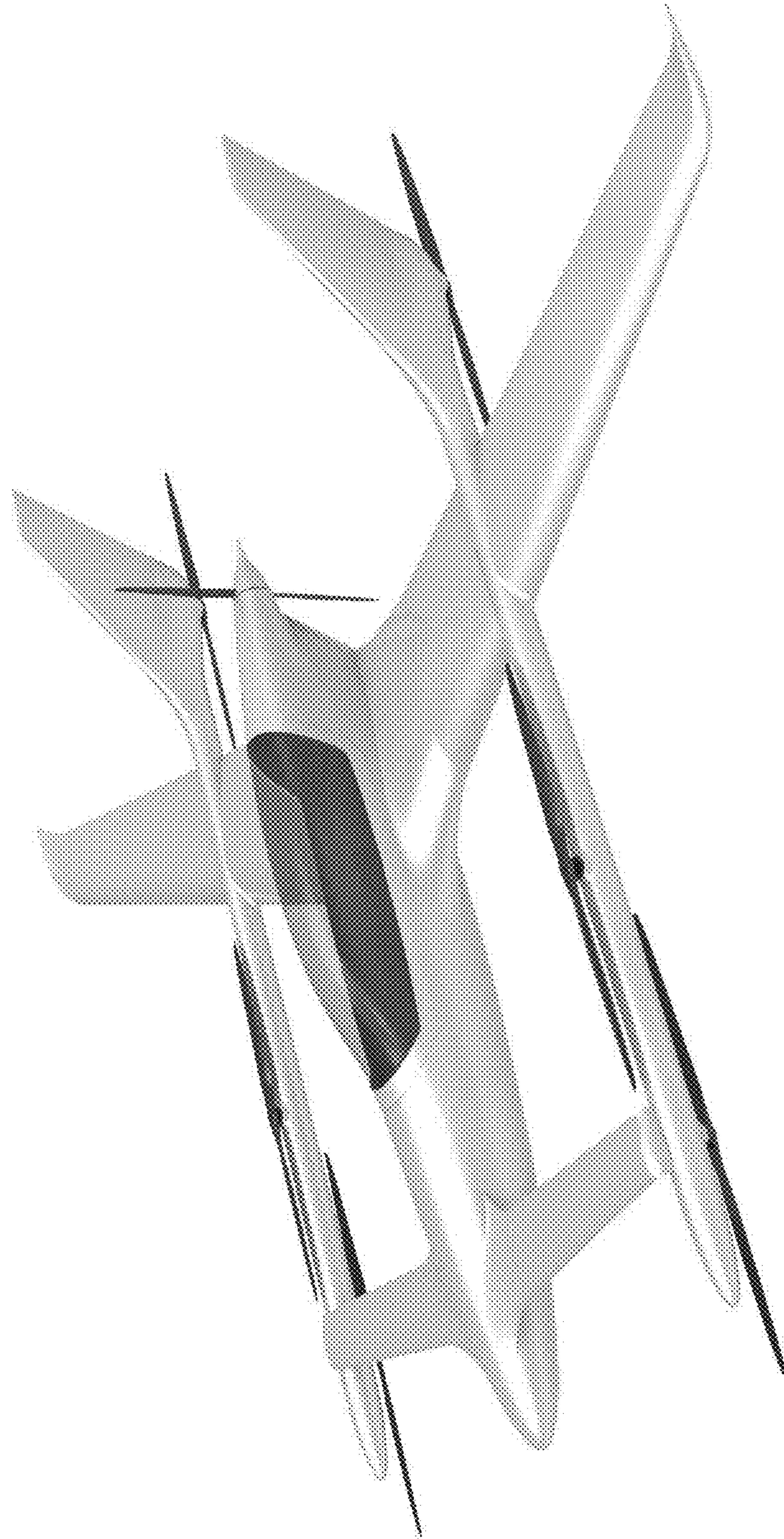


Fig. 1

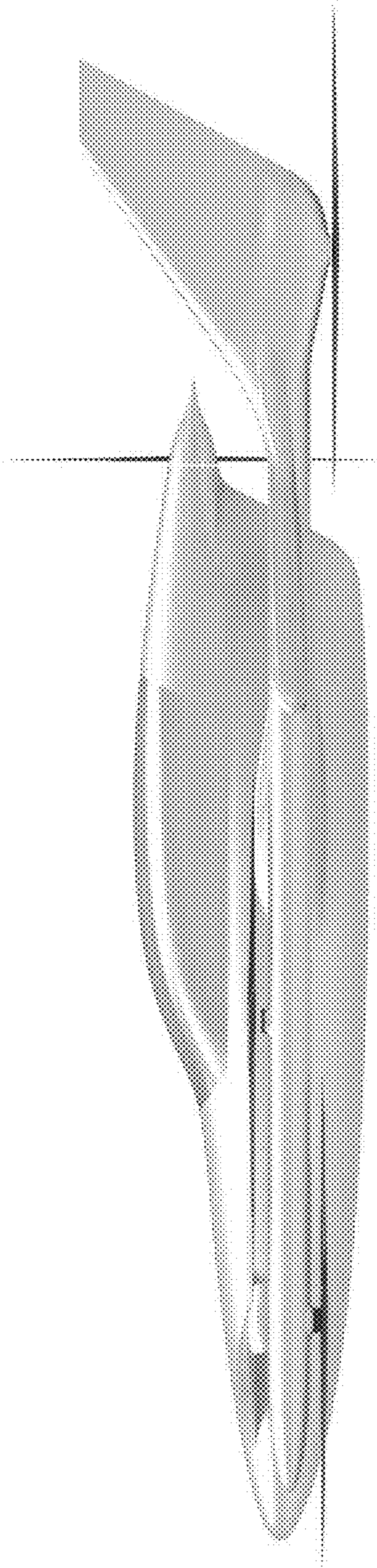


Fig. 2

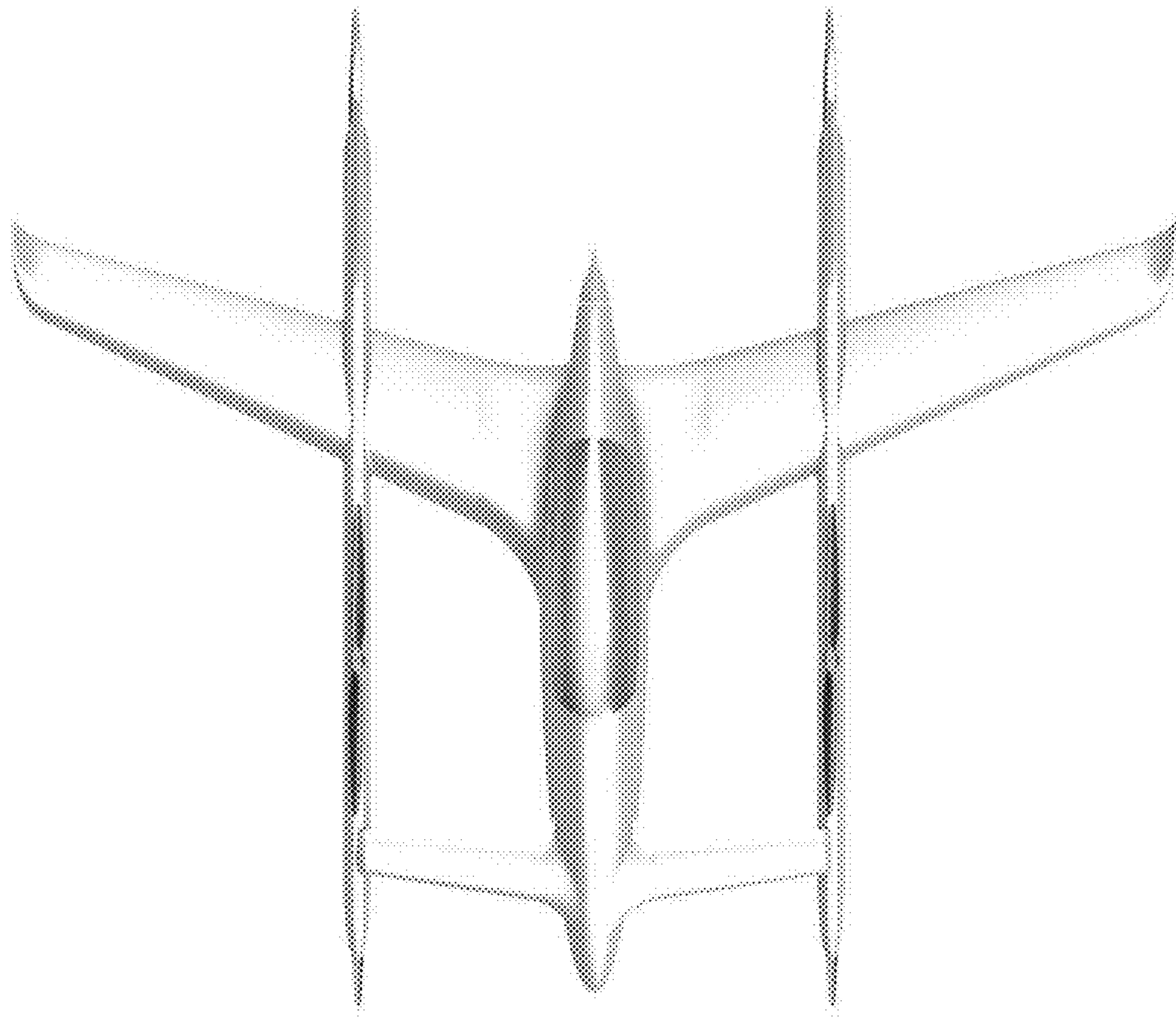


Fig. 3



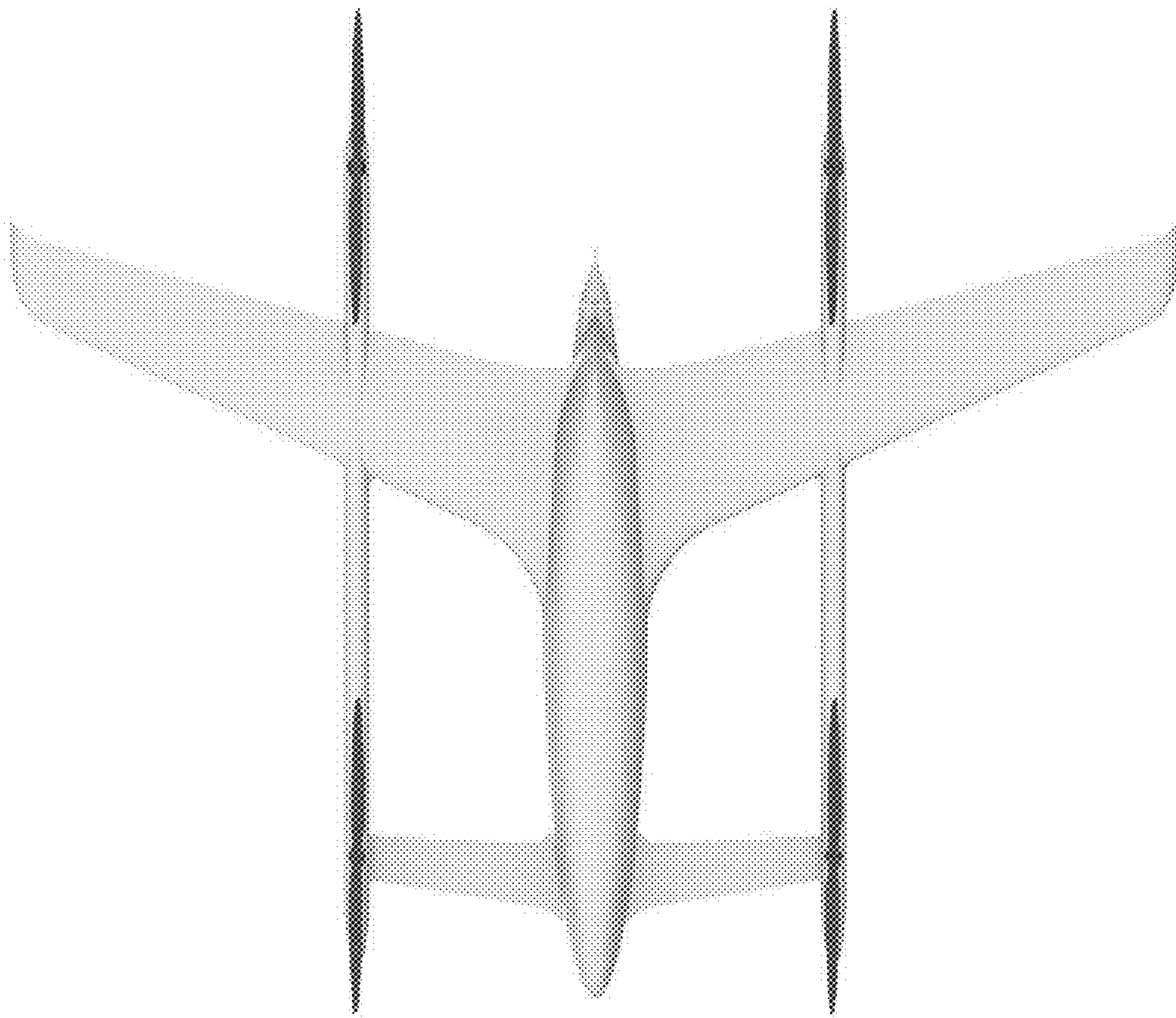


Fig. 4

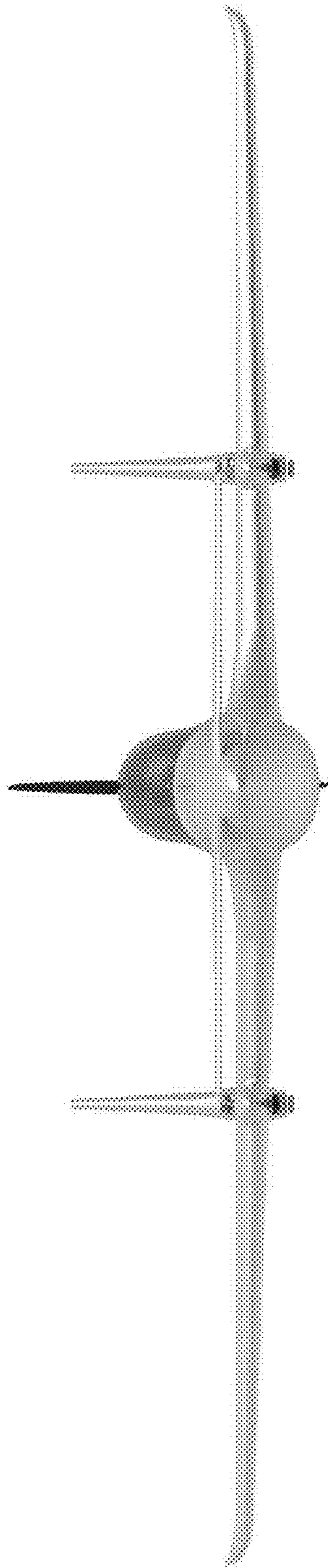


Fig. 5

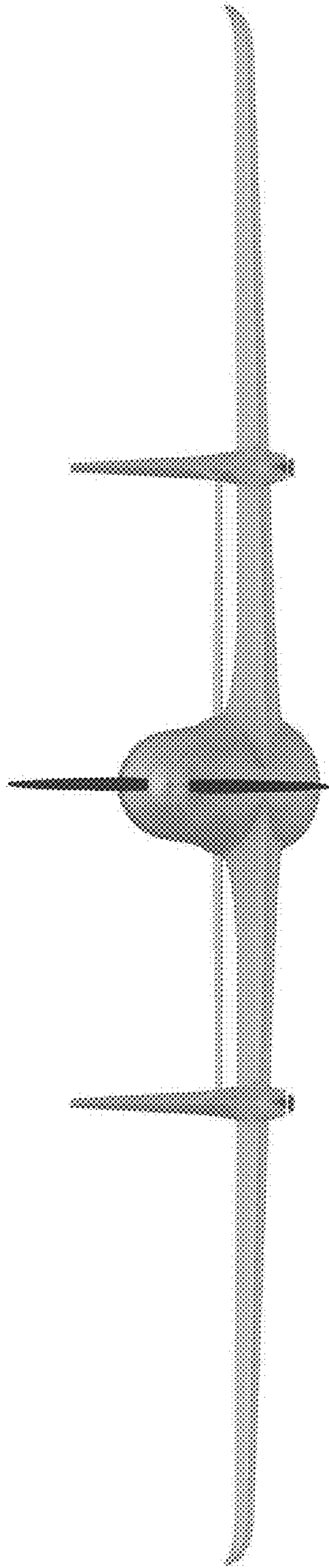


Fig. 6



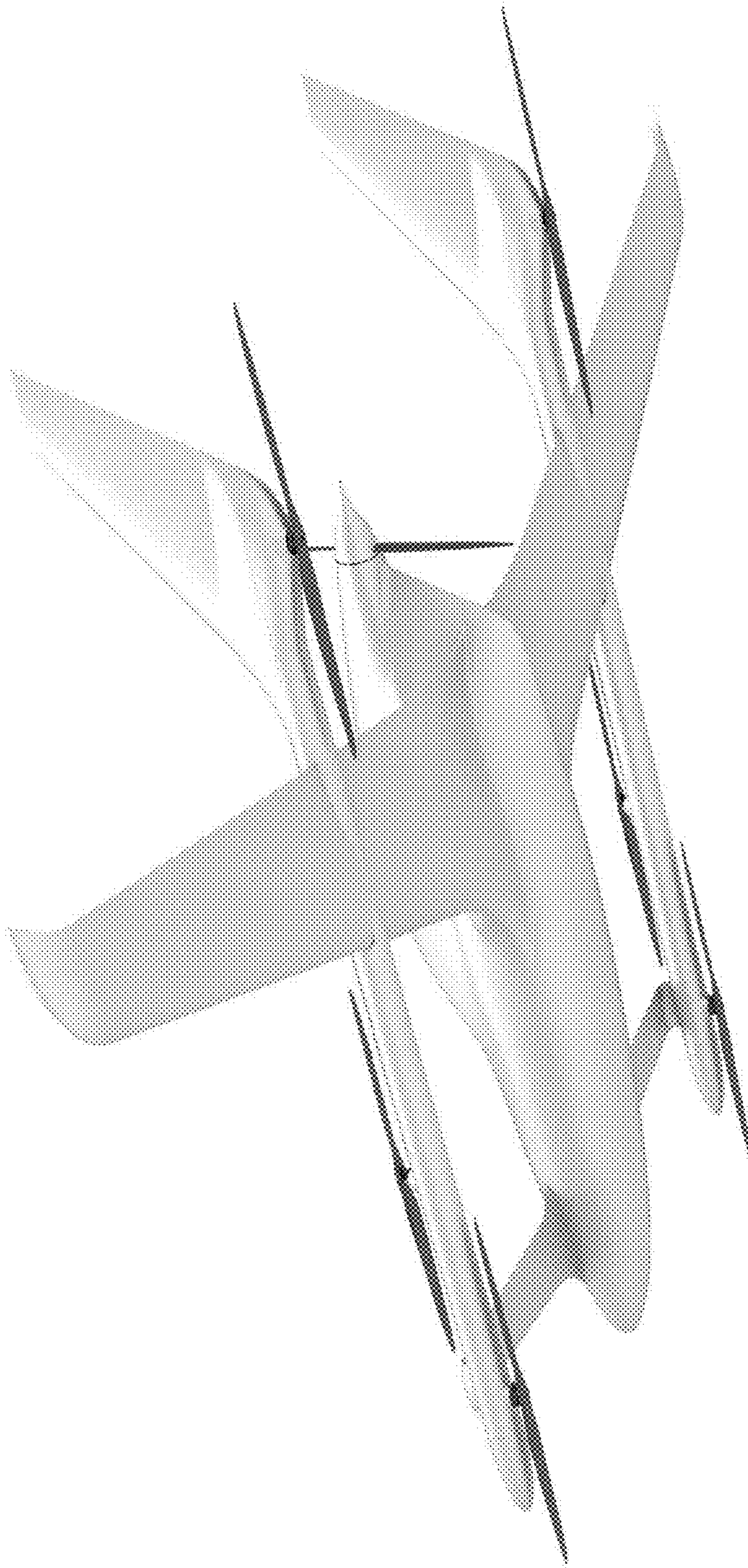


Fig. 7