



US00D881785S

(12) **United States Design Patent**
Ajam et al.

(10) **Patent No.:** **US D881,785 S**

(45) **Date of Patent:** **** Apr. 21, 2020**

(54) **ROLL BAR**

(71) Applicant: **Black Horse Off Road of GA Inc.**,
Royston, GA (US)

(72) Inventors: **Fadi Ajam**, Forest Hills, NY (US);
Matthew Kemme, Brooklyn, NY (US)

(73) Assignee: **Black Horse Off Road of GA Inc.**,
Royston, GA (US)

(**) Term: **15 Years**

(21) Appl. No.: **29/683,988**

(22) Filed: **Mar. 18, 2019**

(51) **LOC (12) Cl.** **12-16**

(52) **U.S. Cl.**
USPC **D12/222**

(58) **Field of Classification Search**
USPC D12/222, 223, 400-401, 404, 406, 412,
D12/414; D6/552; D26/31
CPC . B60J 1/06; B60R 27/00; B60R 21/02; B62D
33/02; B60Q 1/0483
See application file for complete search history.

(56) **References Cited**

U.S. PATENT DOCUMENTS

D669,840 S	*	10/2012	Gros	D12/406
D717,230 S	*	11/2014	Fichter	D12/414
D731,399 S	*	6/2015	Bluhm	D12/406
D763,170 S	*	8/2016	Marankie	D12/414
D809,990 S	*	2/2018	Schlup, Jr.	D12/222

D840,905 S	*	2/2019	Parzyck	D12/222
D840,906 S	*	2/2019	Parzyck	D12/222
D840,907 S	*	2/2019	Parzyck	D12/222
D861,575 S	*	10/2019	Tang	D12/406
D862,357 S	*	10/2019	Bibb, VI	D12/222
2005/0093320 A1	*	5/2005	Brauer	B62D 33/0207 296/3

* cited by examiner

Primary Examiner — Katrina A Betton

(74) *Attorney, Agent, or Firm* — Haynsworth Sinkler
Boyd, P.A.

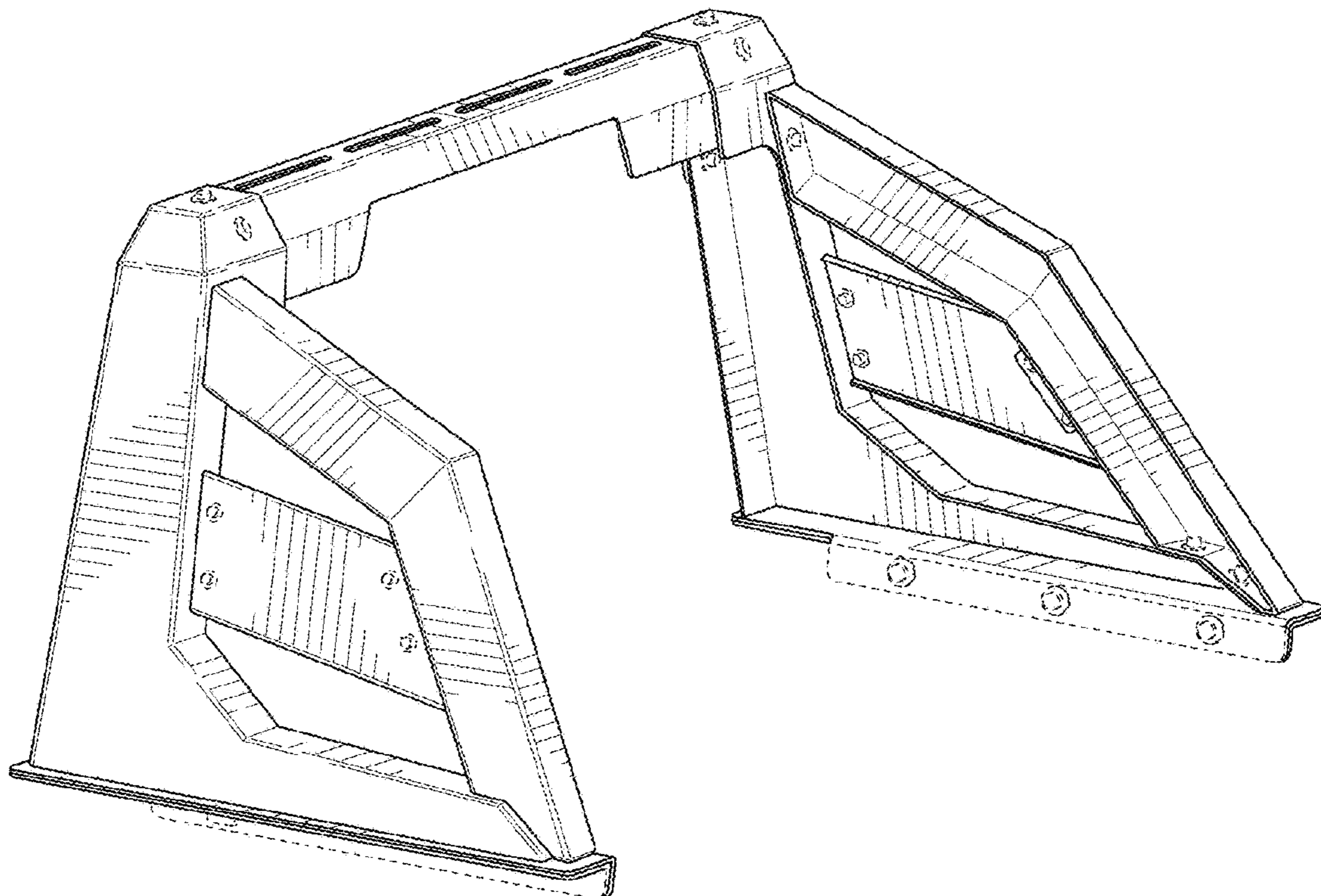
(57) **CLAIM**

The ornamental design for a roll bar, as shown and described.

DESCRIPTION

FIG. 1 is a back perspective view of a roll bar depicting a new design;
FIG. 2 is a front elevational view thereof;
FIG. 3 is a back elevational view thereof;
FIG. 4 is a left elevational view thereof;
FIG. 5 is a right elevational view thereof;
FIG. 6 is a top plan view thereof;
FIG. 7 is a bottom plan view thereof; and,
FIG. 8 is another back perspective view thereof.
The broken line disclosures in FIG. 8 represent environment which forms no part of the claimed design. The remaining broken line disclosures in the views represent portions of the roll bar that form no part of the claimed design.

1 Claim, 7 Drawing Sheets



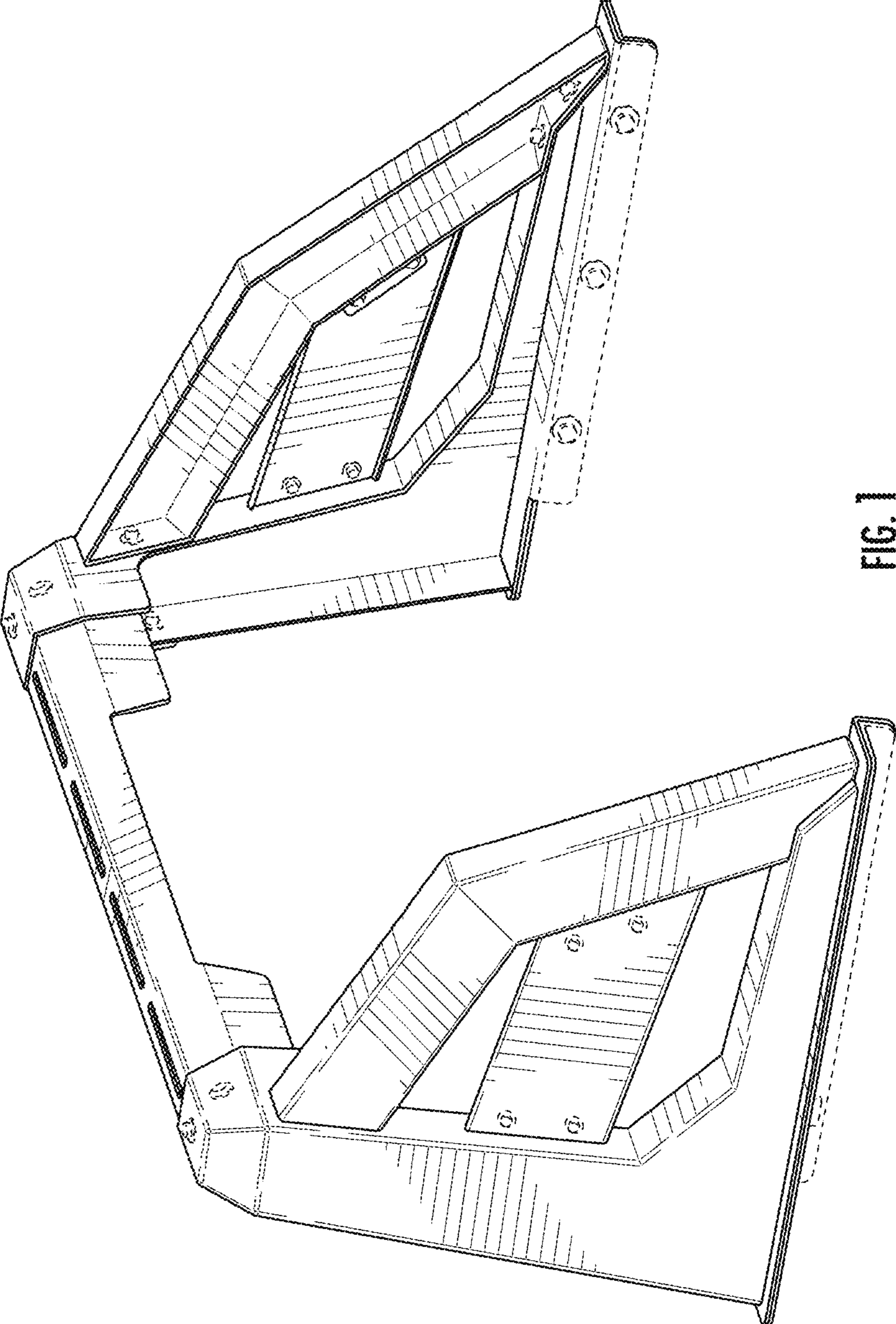


FIG. 1

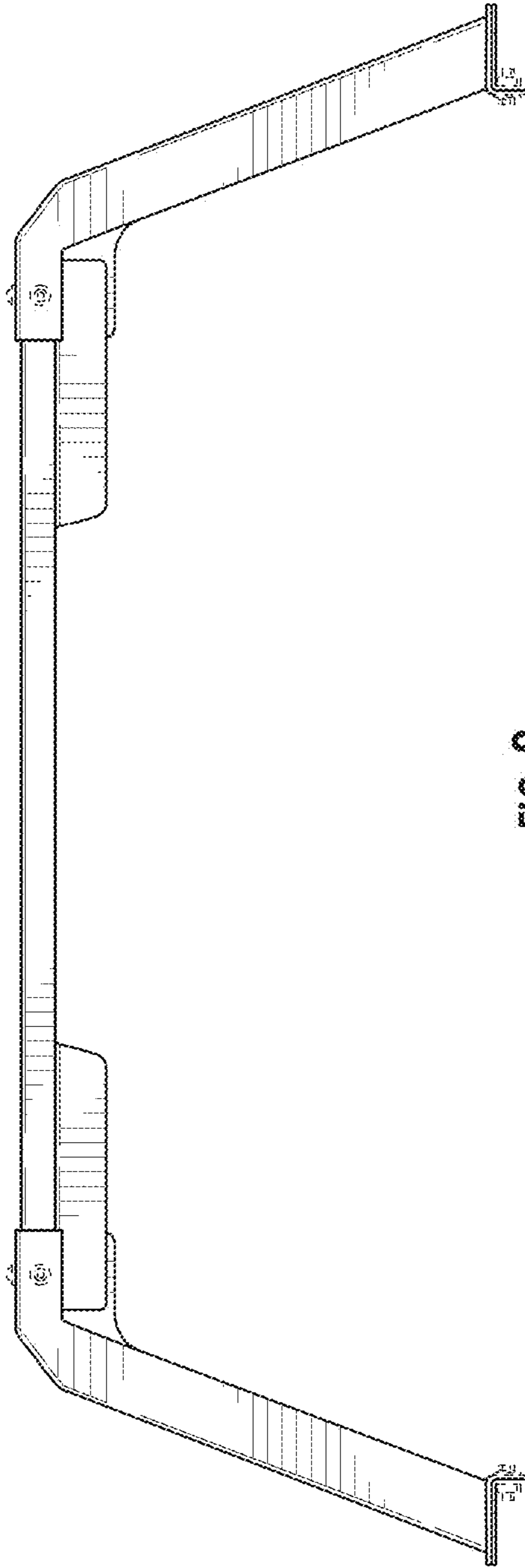


FIG. 2

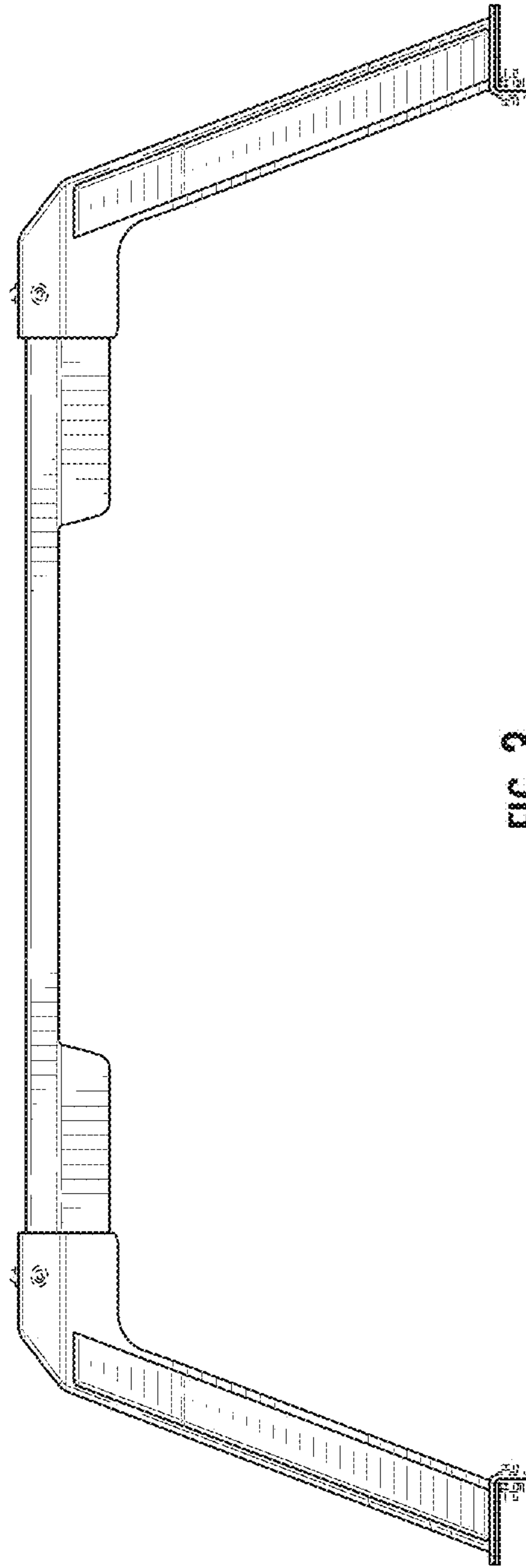


FIG. 3

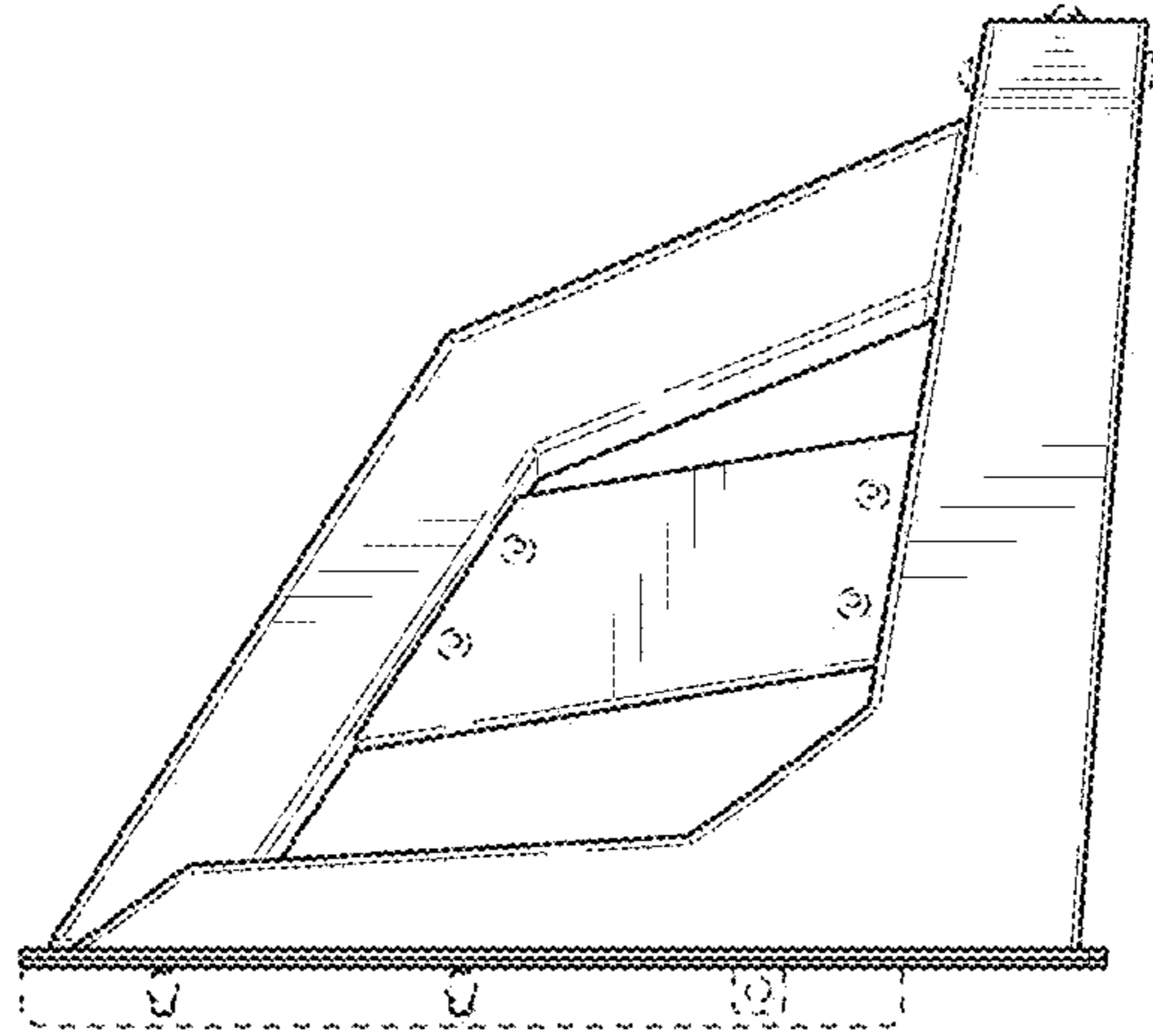


FIG. 4

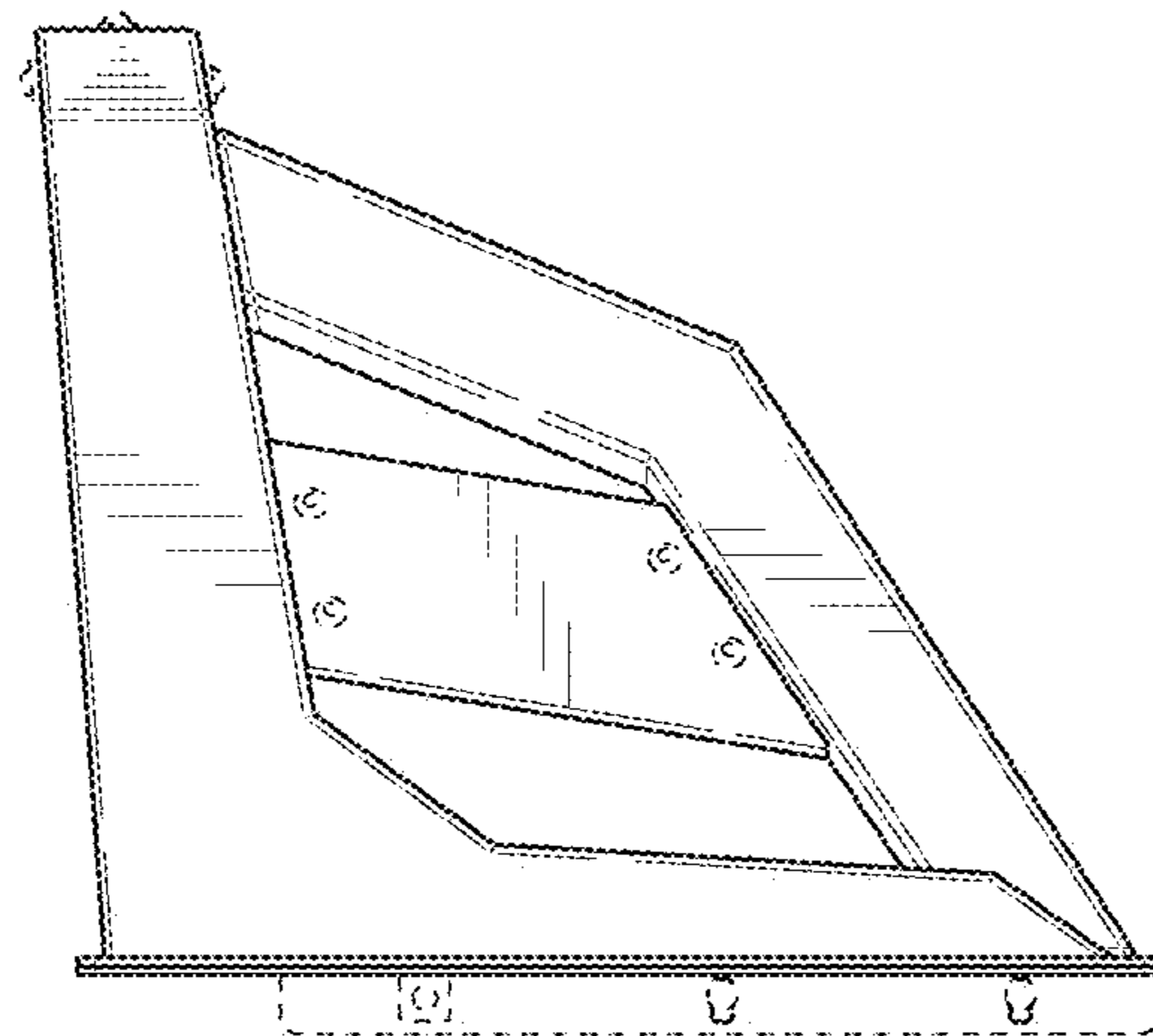


FIG. 5

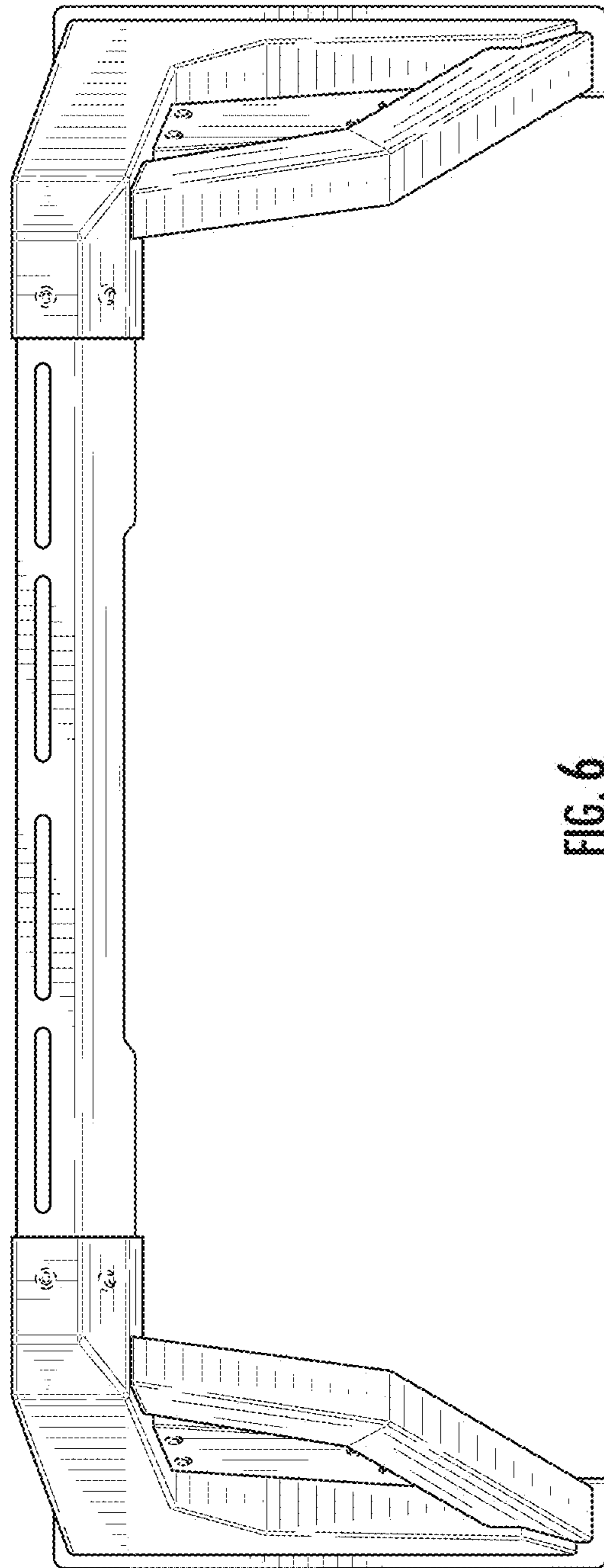


FIG. 6

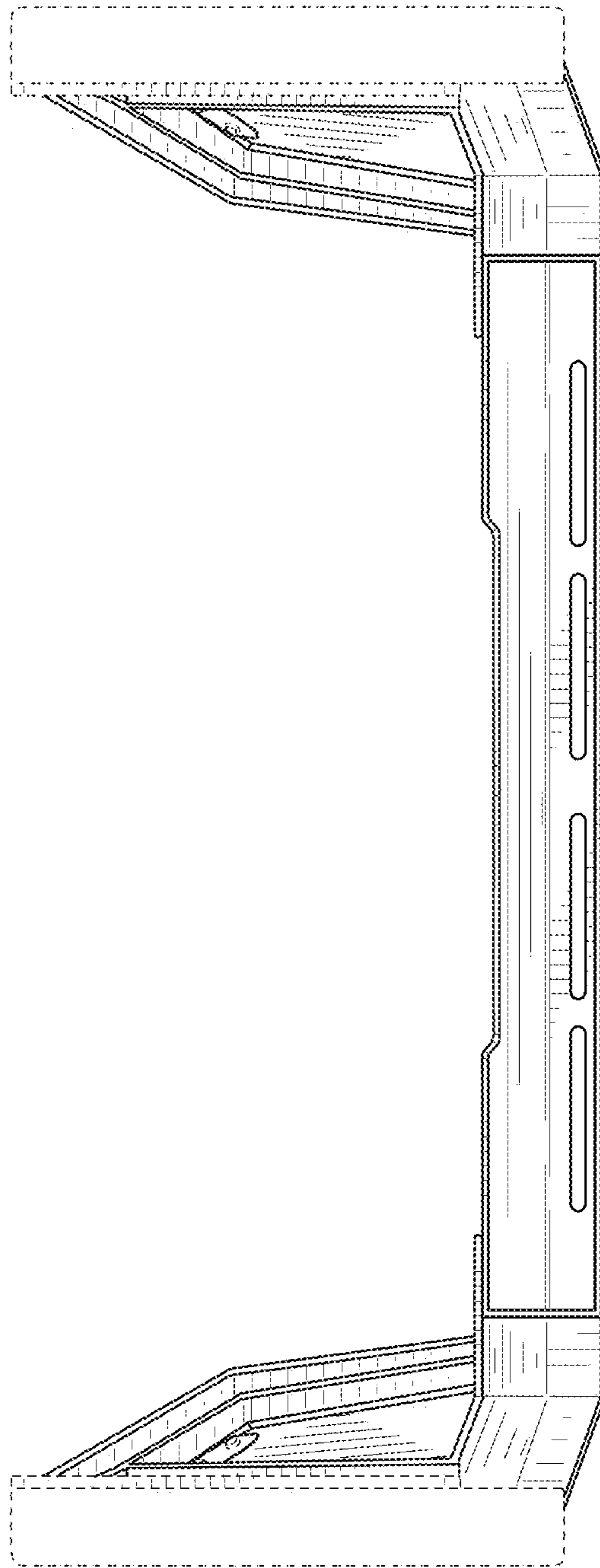


FIG. 7

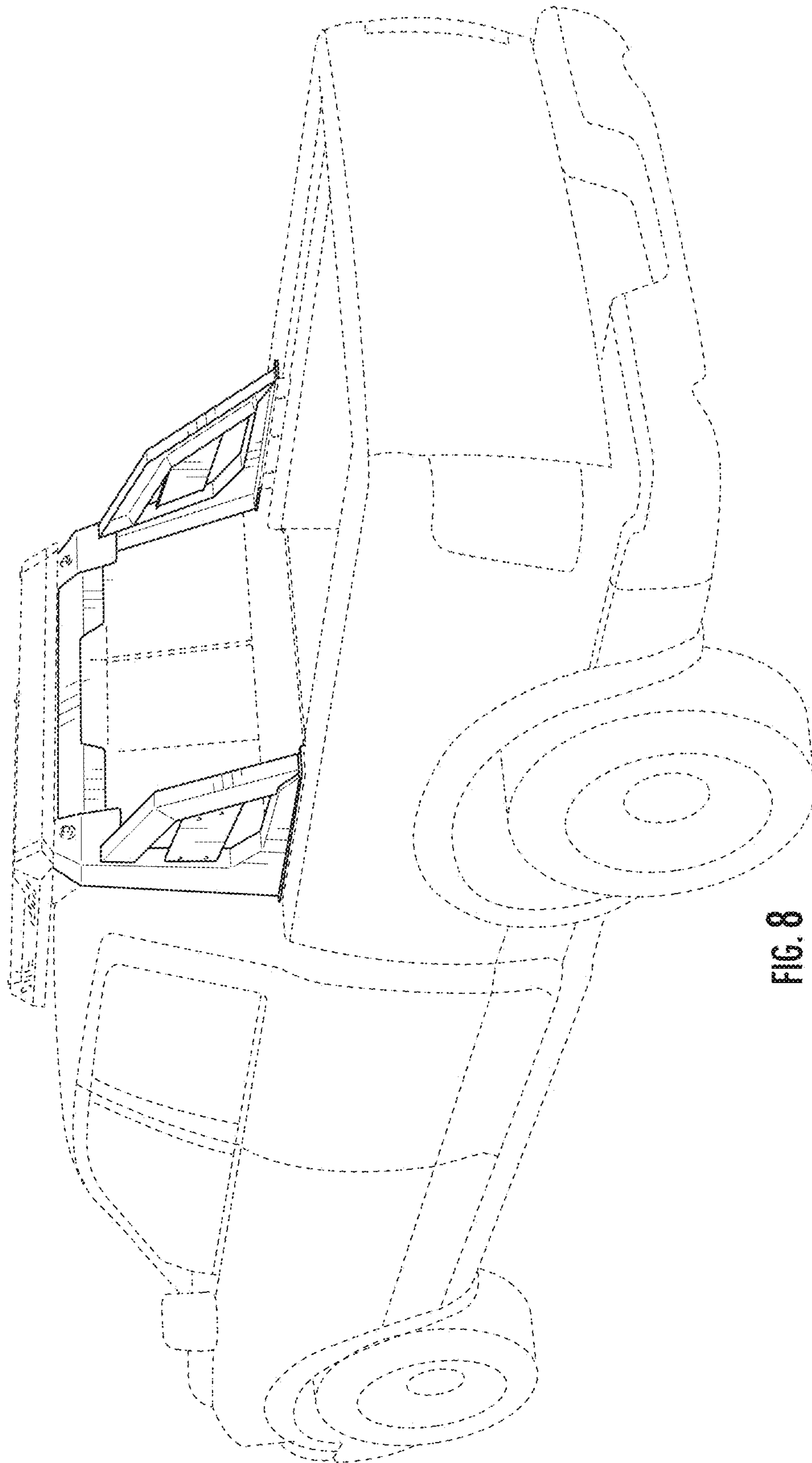


FIG. 8