



US00D881783S

(12) **United States Design Patent** (10) **Patent No.:** **US D881,783 S**
Richards et al. (45) **Date of Patent:** **** Apr. 21, 2020**

(54) **MOTORCYCLE FUEL TANK** 6,478,335 B2 * 11/2002 Reed B62J 35/00
280/835
(71) Applicant: **Harley-Davidson Motor Company** D482,311 S * 11/2003 Song D12/218
Group, LLC, Milwaukee, WI (US) D482,998 S * 12/2003 Krejci D12/218
6,725,519 B2 * 4/2004 Krejci B23K 11/105
29/421.1
(72) Inventors: **Brad Richards**, Grafton, WI (US); D493,409 S * 7/2004 Krejci D12/218
Frank Savage, Fox Point, WI (US); D493,410 S * 7/2004 Krejci D12/218
Dais Nagao, Menomonee Falls, WI D498,199 S * 11/2004 Sugimoto D12/218
(US); **Stephen Collins**, Fond du Lac, WI (US) D508,887 S * 8/2005 Toy D12/218
D509,638 S * 9/2005 Moritz D99/5
D511,604 S * 11/2005 Moritz D99/5
D512,951 S * 12/2005 Alsop D12/218
D514,498 S * 2/2006 Alsop D12/218
(Continued)

(**) Term: **15 Years**

Primary Examiner — Darlington Ly
(74) *Attorney, Agent, or Firm* — Michael Best & Friedrich LLP

(21) Appl. No.: **29/660,296**

(22) Filed: **Aug. 20, 2018**

(57) **CLAIM**

(51) **LOC (12) Cl.** **12-06**
(52) **U.S. Cl.**
USPC **D12/218**

We claim the ornamental design for a motorcycle fuel tank, as shown and described.

(58) **Field of Classification Search**
USPC D12/110, 197, 218, 223; D9/435–454
CPC B60K 15/03; B60K 15/07; B62J 35/00;
B62K 11/00; B62K 11/04
See application file for complete search history.

DESCRIPTION

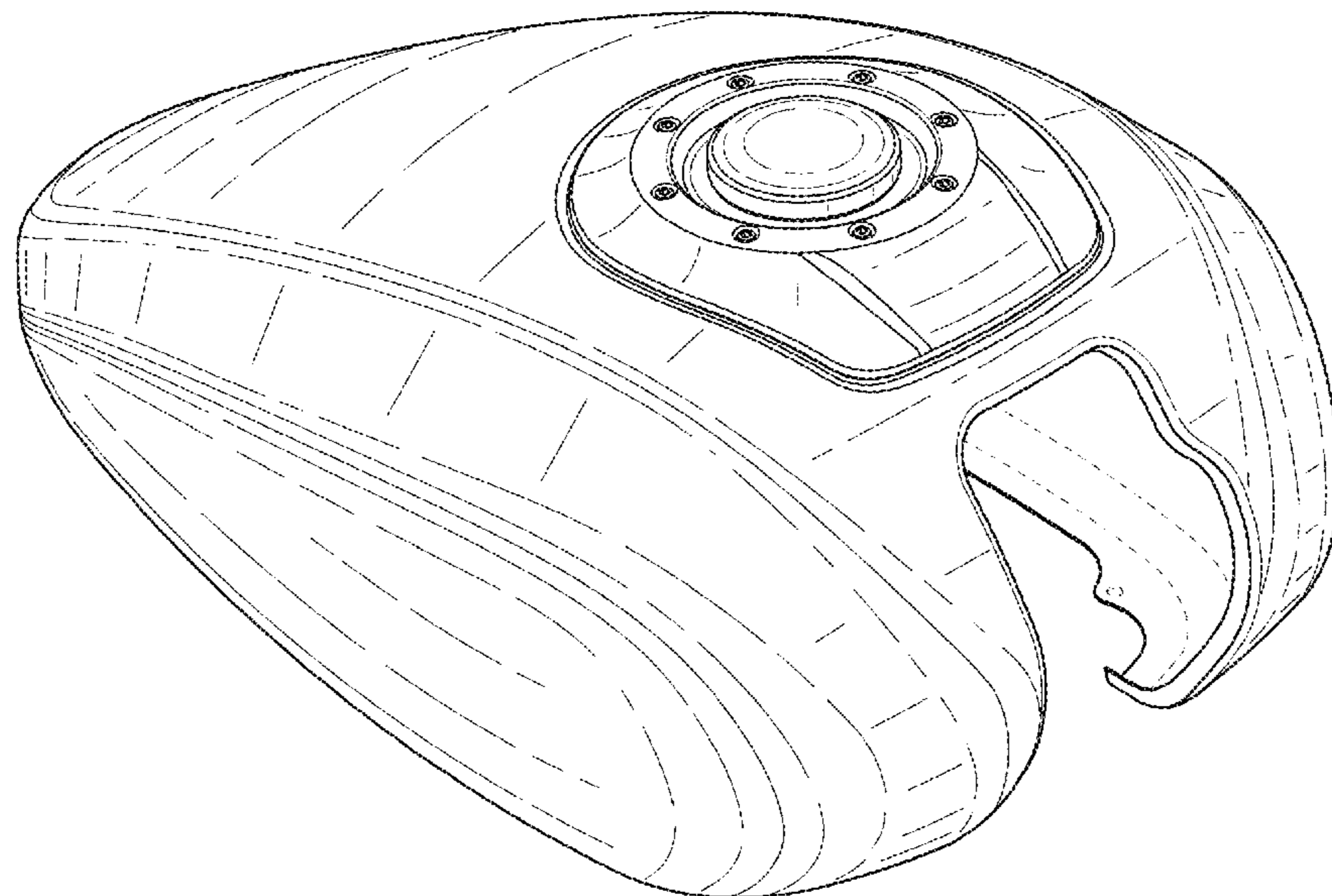
(56) **References Cited**

U.S. PATENT DOCUMENTS

4,401,309 A * 8/1983 Matsuzaki B62J 35/00
220/4.14
5,542,706 A * 8/1996 Kubly B60K 15/03
137/589
D404,002 S * 1/1999 Puchkoff D12/218
5,944,216 A * 8/1999 Inaoka B60K 15/03
220/4.14
D432,486 S * 10/2000 Krejci D12/218
D456,758 S * 5/2002 Krejci D12/218
6,381,823 B1 * 5/2002 Krejci B23K 11/105
29/416

FIG. 1 is a front perspective view of a motorcycle fuel tank showing our new design;
FIG. 2 is a rear perspective view thereof;
FIG. 3 is a front elevation view thereof;
FIG. 4 is a rear elevation view thereof;
FIG. 5 is a right side elevation view thereof;
FIG. 6 is a left side elevation view thereof;
FIG. 7 is a top plan view thereof;
FIG. 8 is a bottom plan view thereof; and,
FIG. 9 is a rear perspective view thereof as installed on an exemplary motorcycle.
The broken line showing of the motorcycle illustrates environmental structure, while all other broken lines illustrate portions of the motorcycle fuel tank. No subject matter shown in broken lines form part of the claimed design.

1 Claim, 9 Drawing Sheets



(56)

References Cited

U.S. PATENT DOCUMENTS

D587,184 S *	2/2009	Kinsey	D12/218
D590,323 S *	4/2009	Kishi	D12/218
D599,271 S *	9/2009	Nagata	D12/218
D636,717 S *	4/2011	Nishimoto	D12/218
D724,810 S *	3/2015	Eby	D99/3
D737,192 S *	8/2015	Yaffe	D12/218
D755,086 S *	5/2016	Christoph	D12/114

* cited by examiner

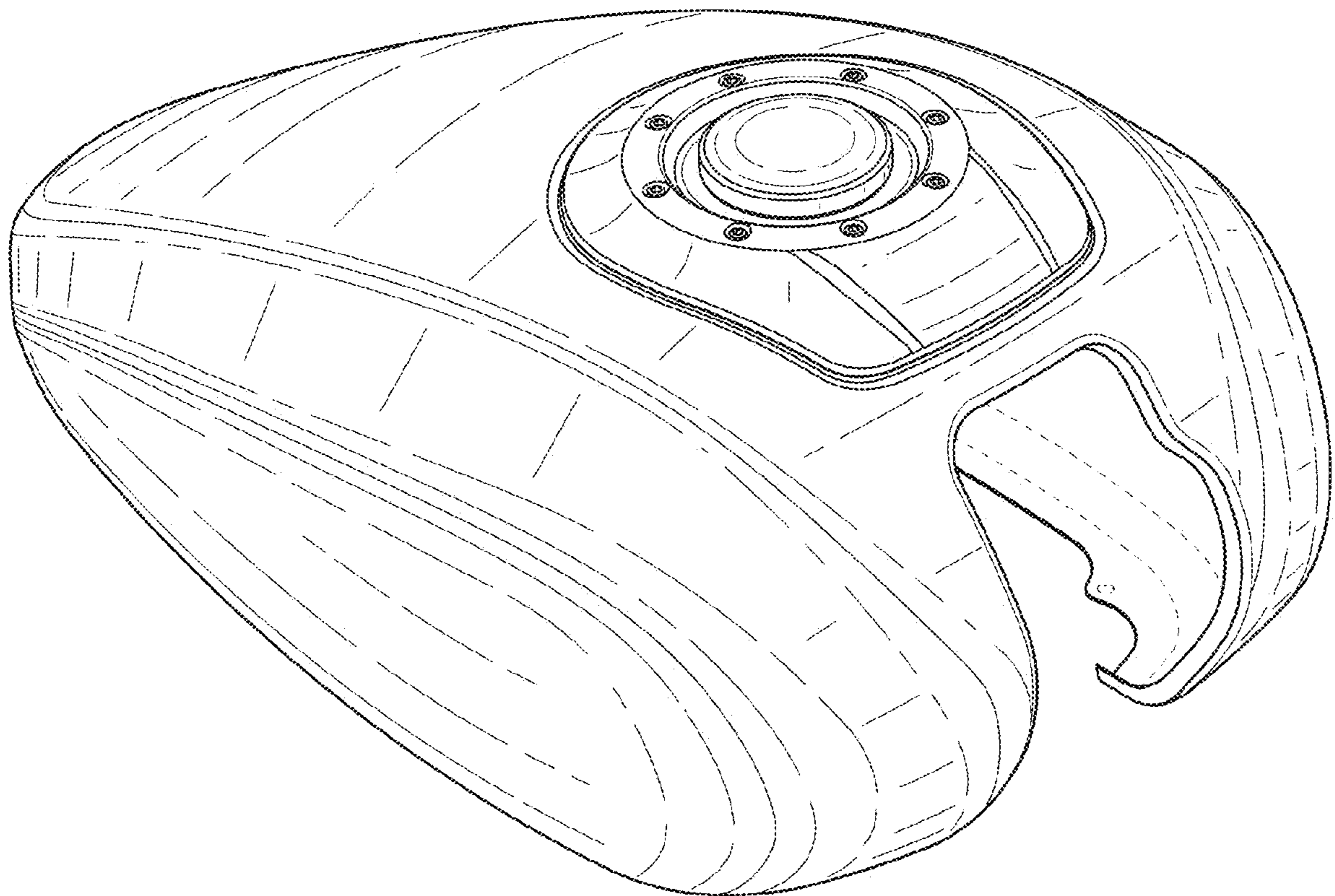


FIG. 1

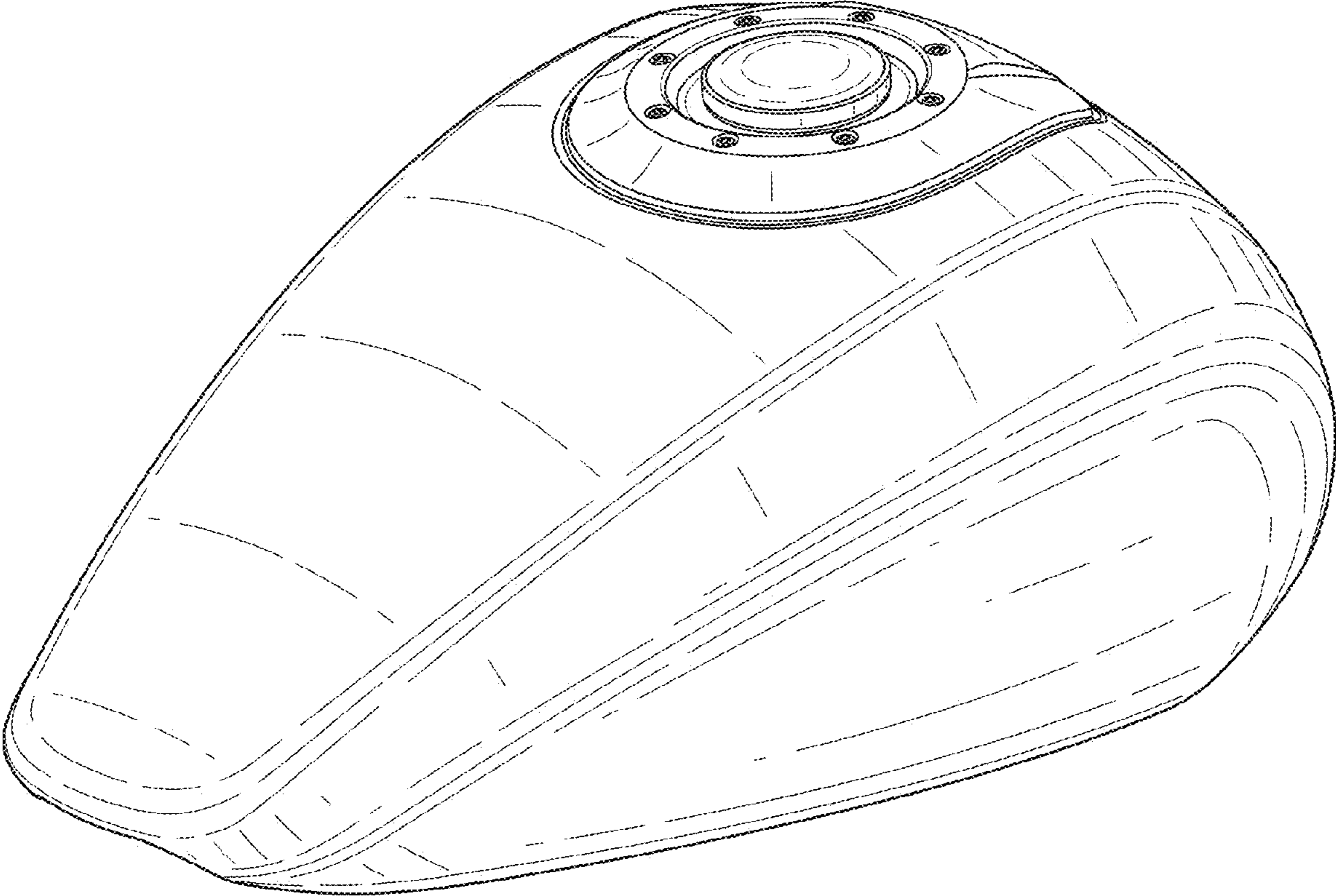


FIG. 2

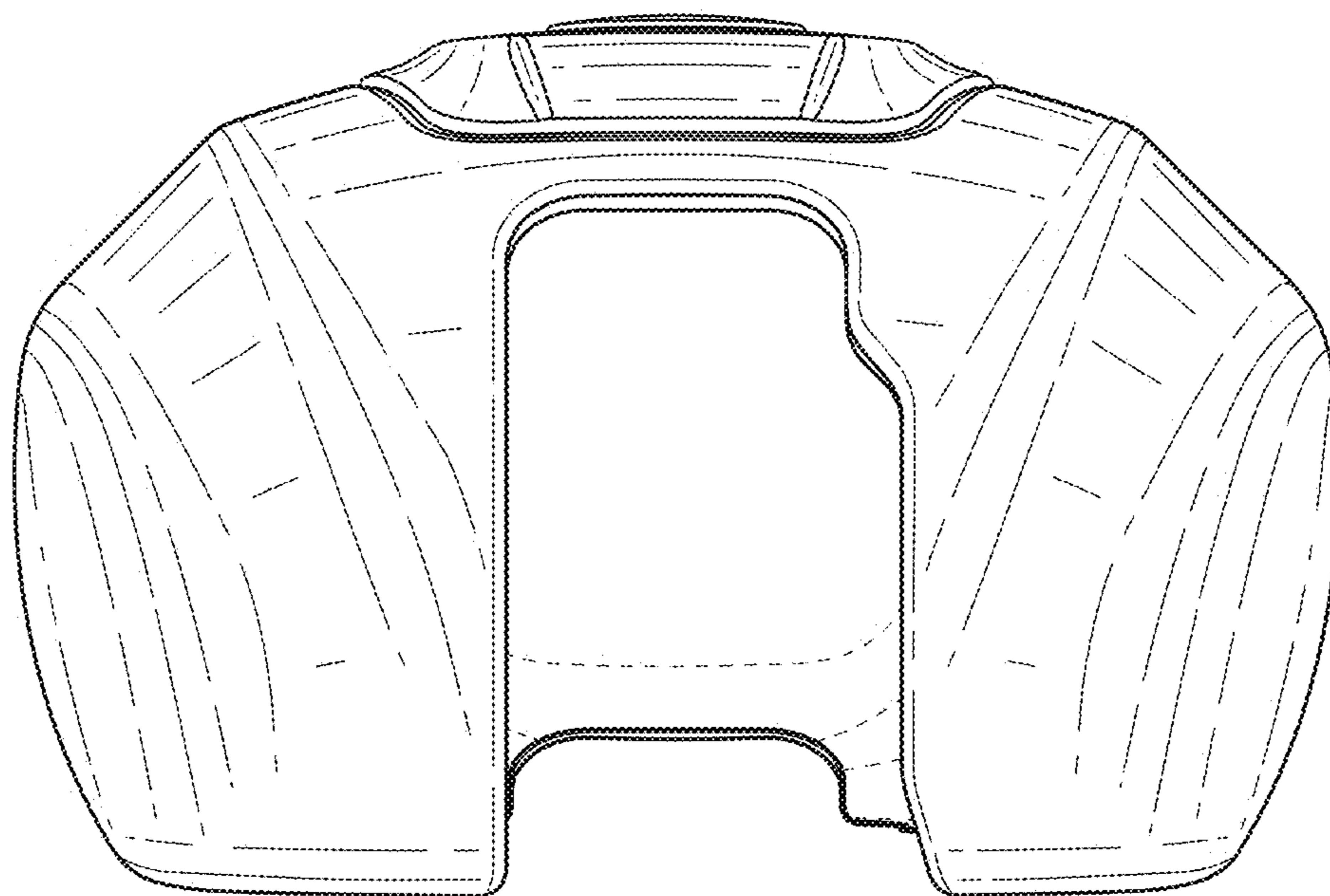


FIG. 3

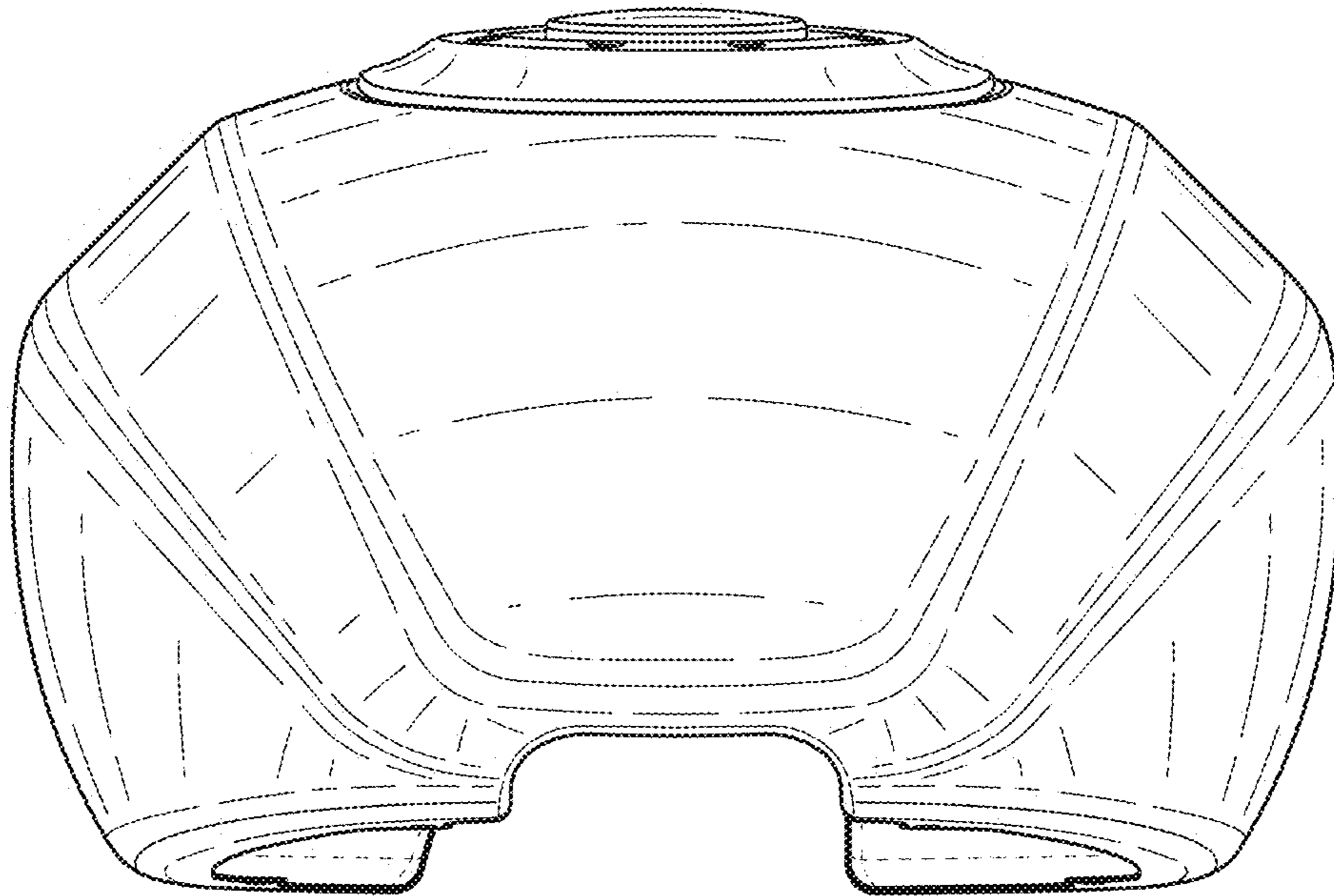


FIG. 4

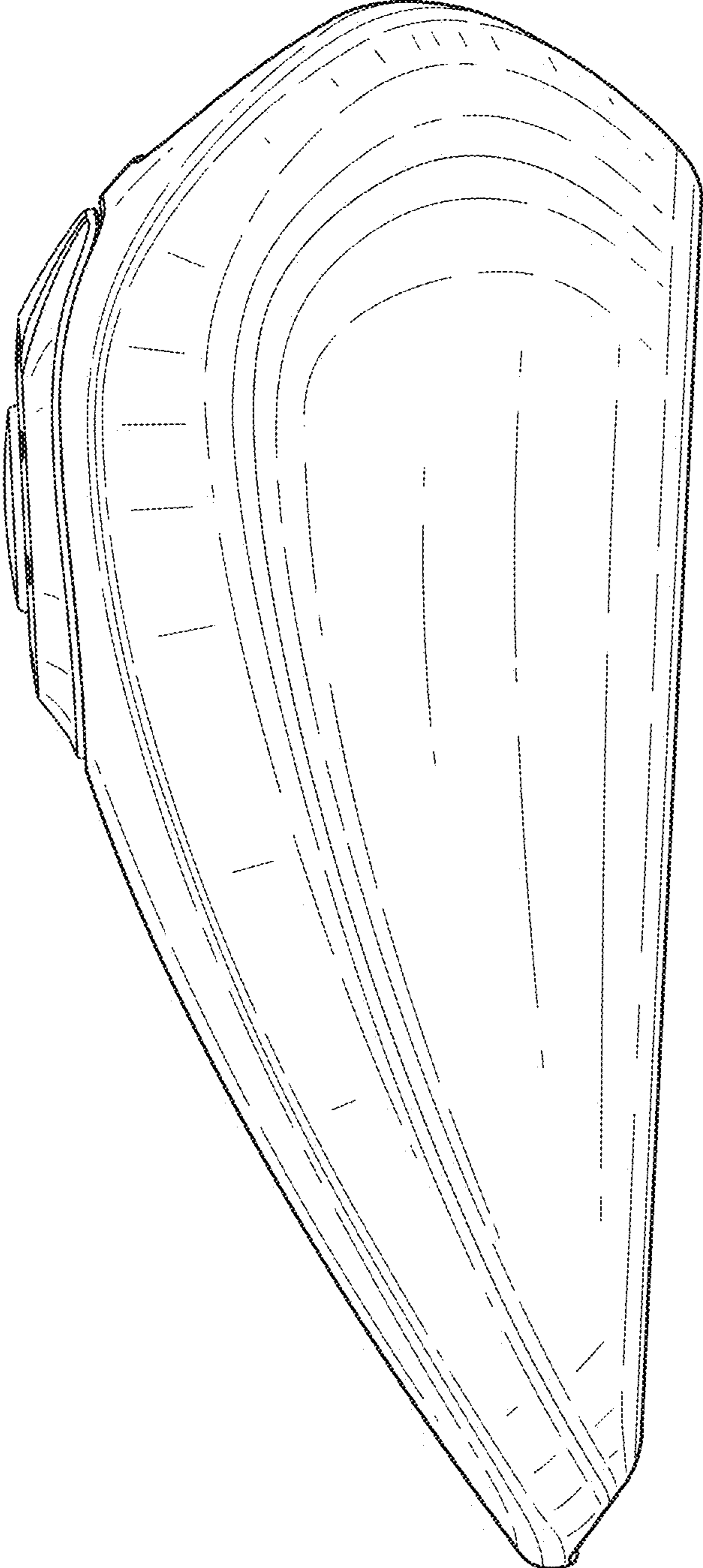


FIG. 5

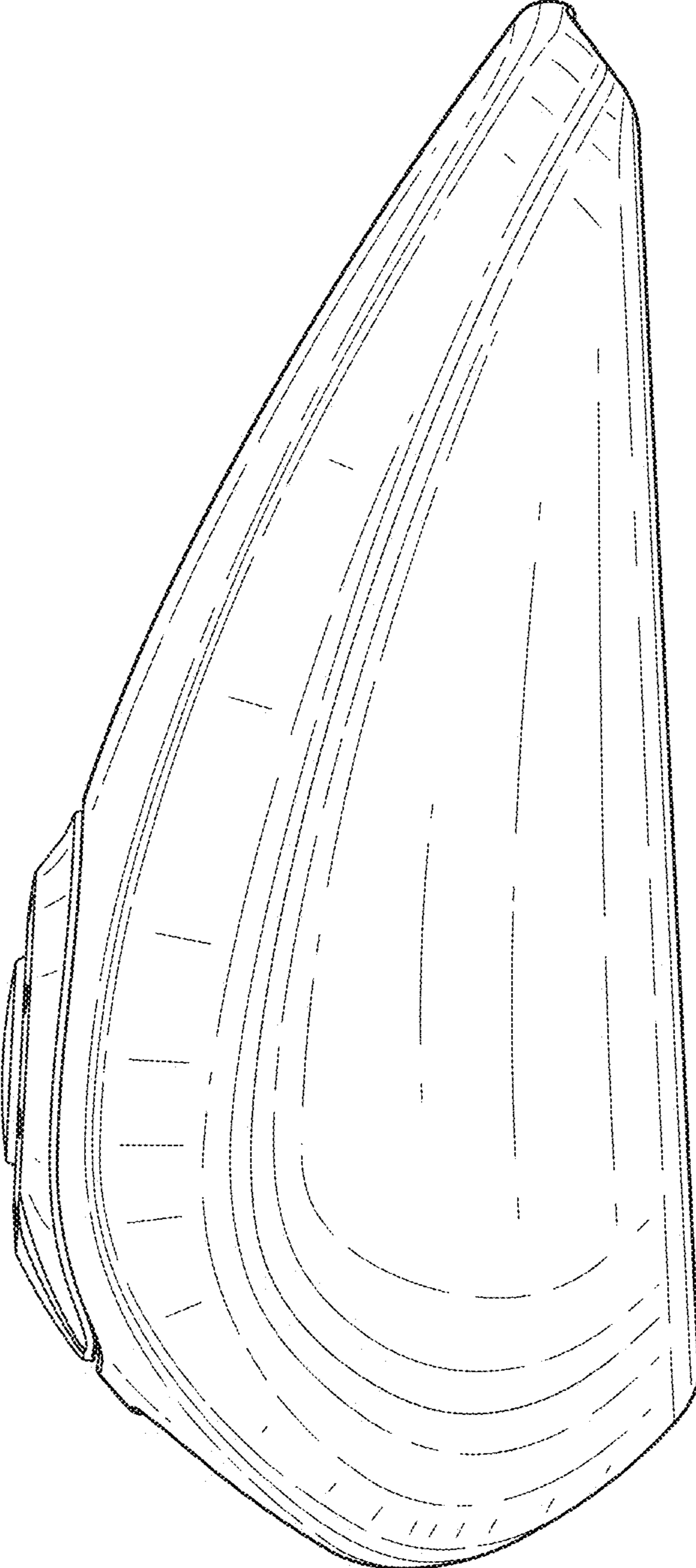


FIG. 6

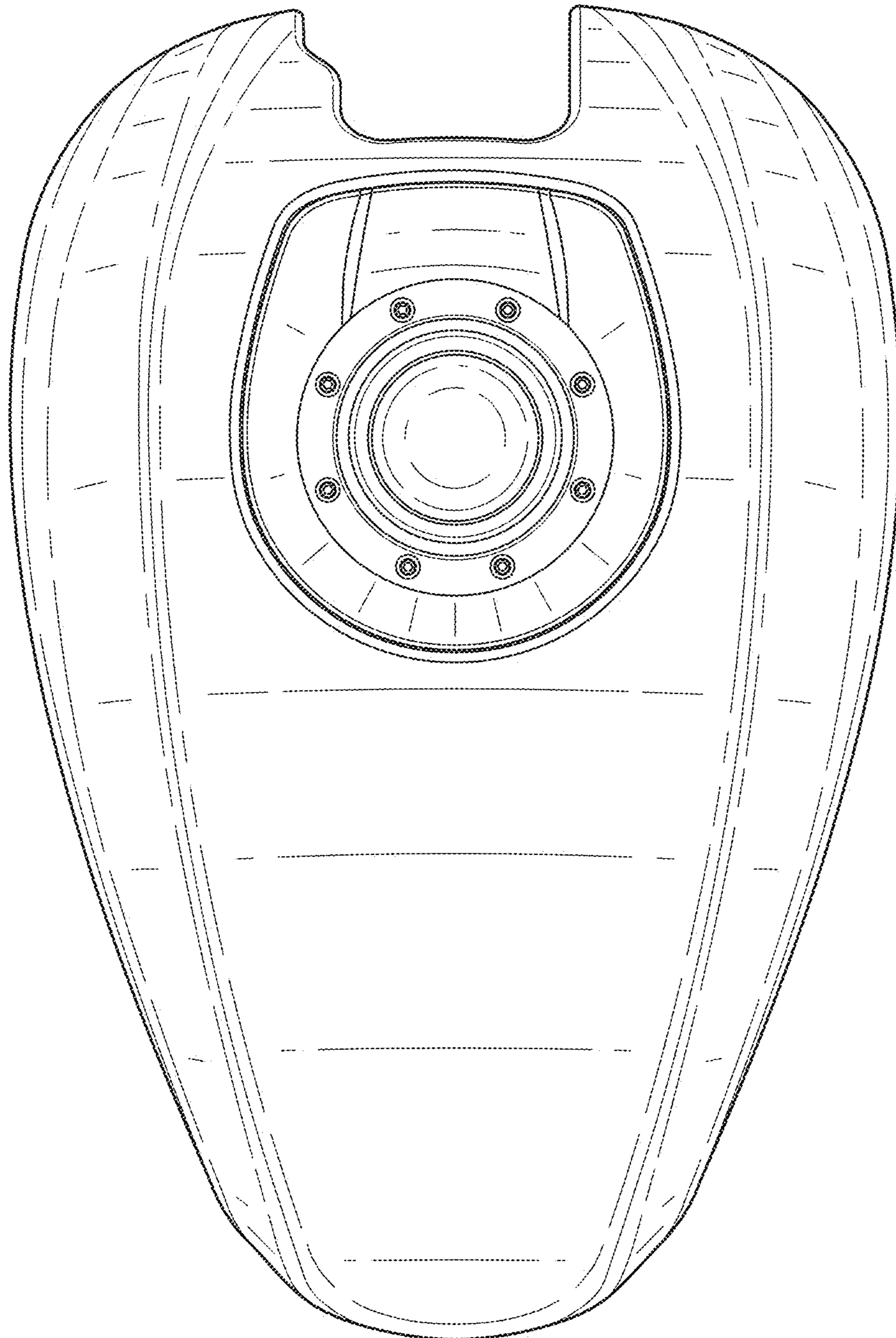


FIG. 7

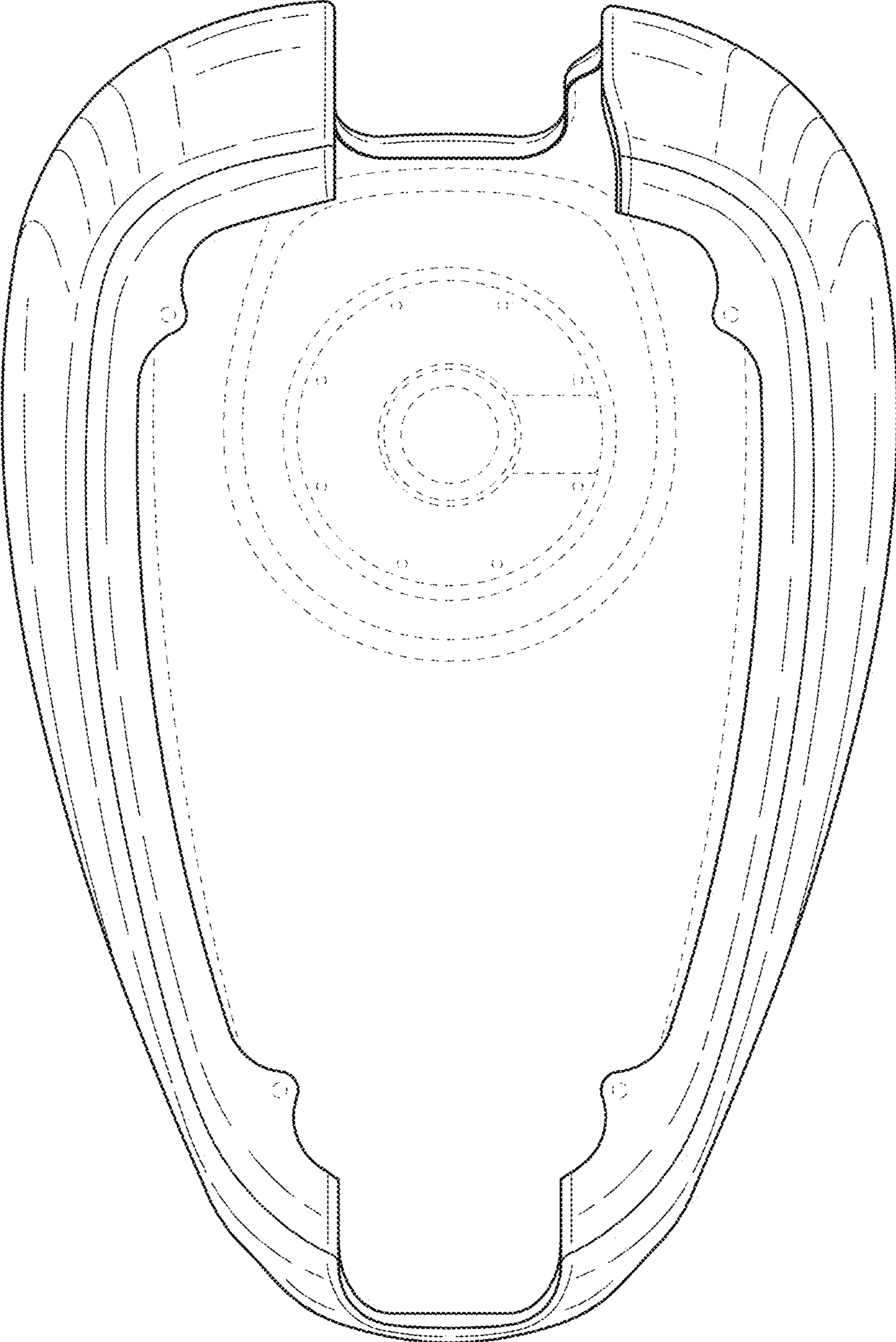


FIG. 8

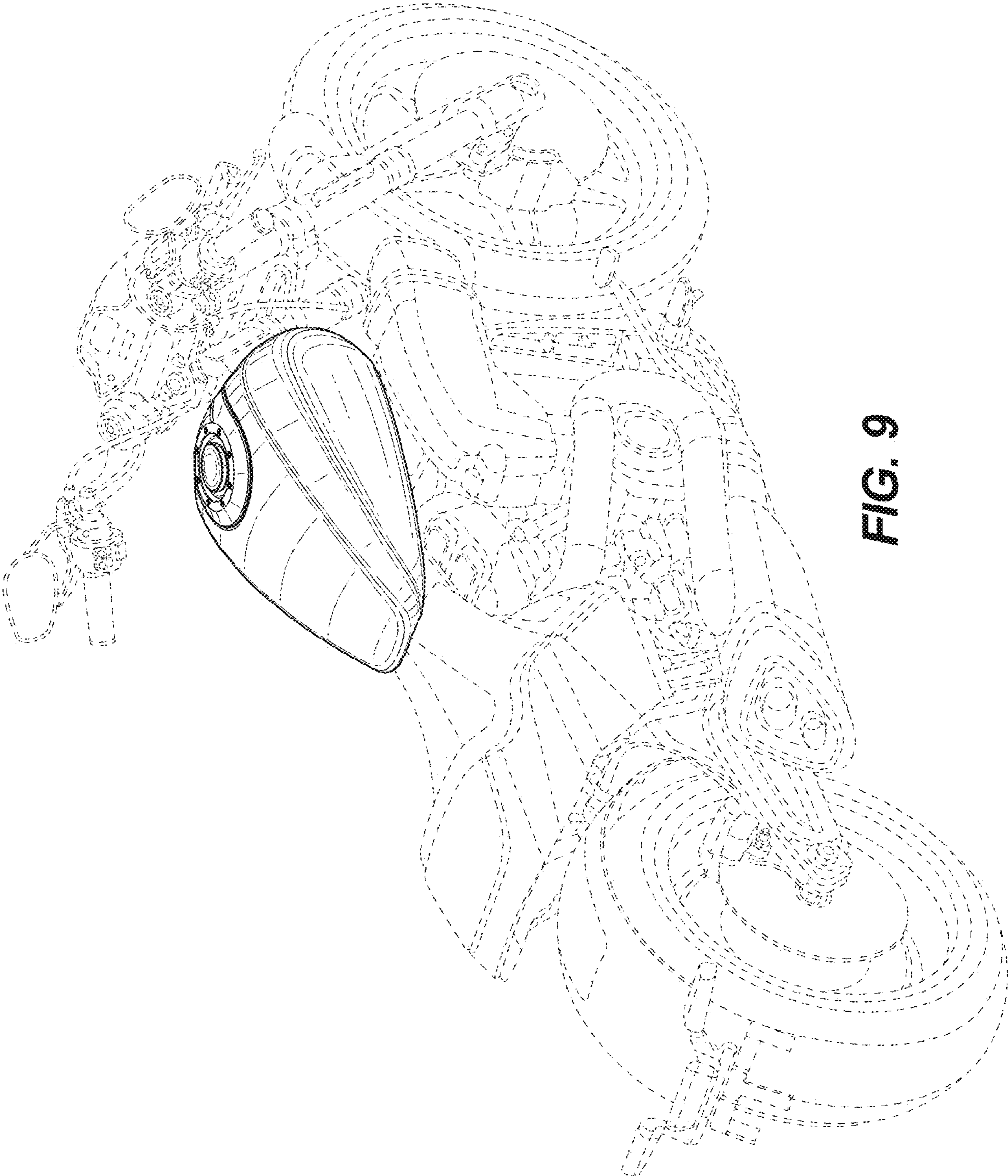


FIG. 9