



US00D881780S

(12) **United States Design Patent**  
**Tomasson et al.**

(10) **Patent No.:** **US D881,780 S**

(45) **Date of Patent:** **\*\* Apr. 21, 2020**

(54) **VEHICLE WHEEL RIM**

(71) Applicant: **NIO NEXTEV LIMITED**, Hong Kong (HK)

(72) Inventors: **Kris Tomasson**, Munich (DE); **Juho Suh**, Munich (DE); **Jim Basté**, Munich (DE); **Kevyn Gruchala**, Munich (DE); **Xingshun Wei**, Munich (DE)

(73) Assignee: **NIO NEXTEV LIMITED**, Hong Kong (HK)

(\*\*) Term: **15 Years**

(21) Appl. No.: **29/672,707**

(22) Filed: **Dec. 7, 2018**

(51) **LOC (12) Cl.** ..... **12-16**

(52) **U.S. Cl.**

USPC ..... **D12/209**

(58) **Field of Classification Search**

USPC ..... D12/204–213

CPC .... B60B 7/00; B60B 7/02; B60B 7/04; B60B 7/01; B60B 7/06; B60B 3/02; B60B 3/04; B60B 3/06; B60B 3/10; B60B 1/00; B60B 1/08; B60B 1/10; B60B 1/12

See application file for complete search history.

(56) **References Cited**

**U.S. PATENT DOCUMENTS**

D499,061 S \* 11/2004 Echazabal ..... D12/209  
D613,227 S \* 4/2010 Mueller-Stolz ..... D12/209  
D644,158 S \* 8/2011 Nissl ..... D12/211

D758,275 S \* 6/2016 Patel ..... D12/209  
D759,562 S \* 6/2016 Wheel ..... D12/209  
D761,711 S \* 7/2016 Wolff ..... D12/209  
D762,545 S \* 8/2016 Hodges ..... D12/209  
D788,677 S \* 6/2017 Lickliter ..... D12/209  
D789,270 S \* 6/2017 Hodges ..... D12/209  
D828,266 S \* 9/2018 Garcia ..... D12/209  
D831,558 S \* 10/2018 Starr, Jr. .... D12/209  
D833,943 S \* 11/2018 Chung ..... D12/209  
D838,647 S \* 1/2019 Han ..... D12/209  
D843,293 S \* 3/2019 Tomasson ..... D12/209  
D843,296 S \* 3/2019 Ash ..... D12/209  
D843,299 S \* 3/2019 Hodges ..... D12/209  
D860,899 S \* 9/2019 Lickliter ..... D12/209

\* cited by examiner

*Primary Examiner* — Stacia A Cadmus

(74) *Attorney, Agent, or Firm* — Sutton Magidoff Barkume LLP

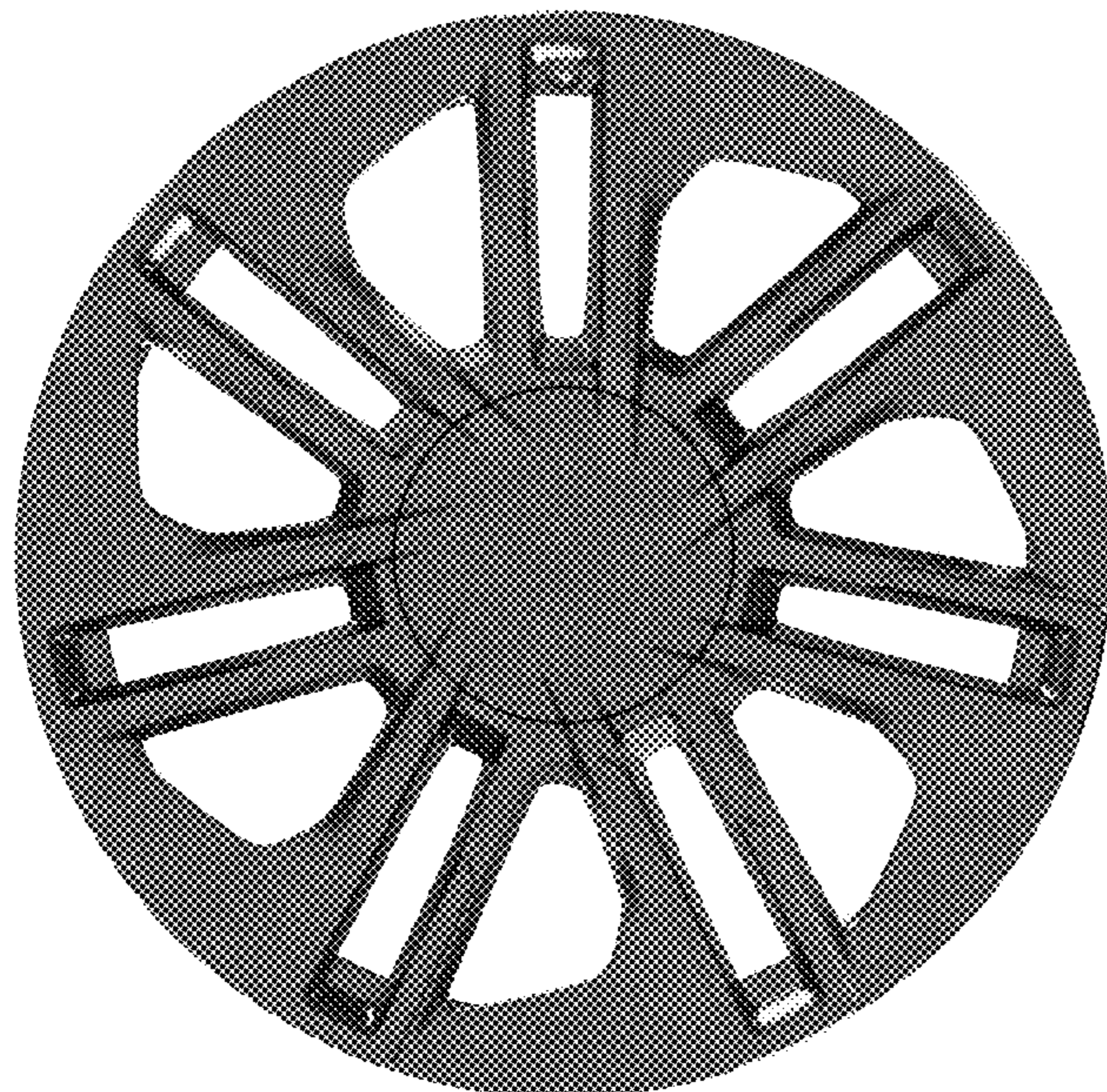
(57) **CLAIM**

The ornamental design for a vehicle wheel rim, as shown and described.

**DESCRIPTION**

FIG. 1 is a front view of a vehicle wheel rim showing our new design;  
FIG. 2 is a front right perspective view thereof;  
FIG. 3 is a front left perspective view thereof;  
FIG. 4 is a right view thereof;  
FIG. 5 is a left view thereof;  
FIG. 6 is a top view thereof; and,  
FIG. 7 is a bottom view thereof.

**1 Claim, 6 Drawing Sheets**





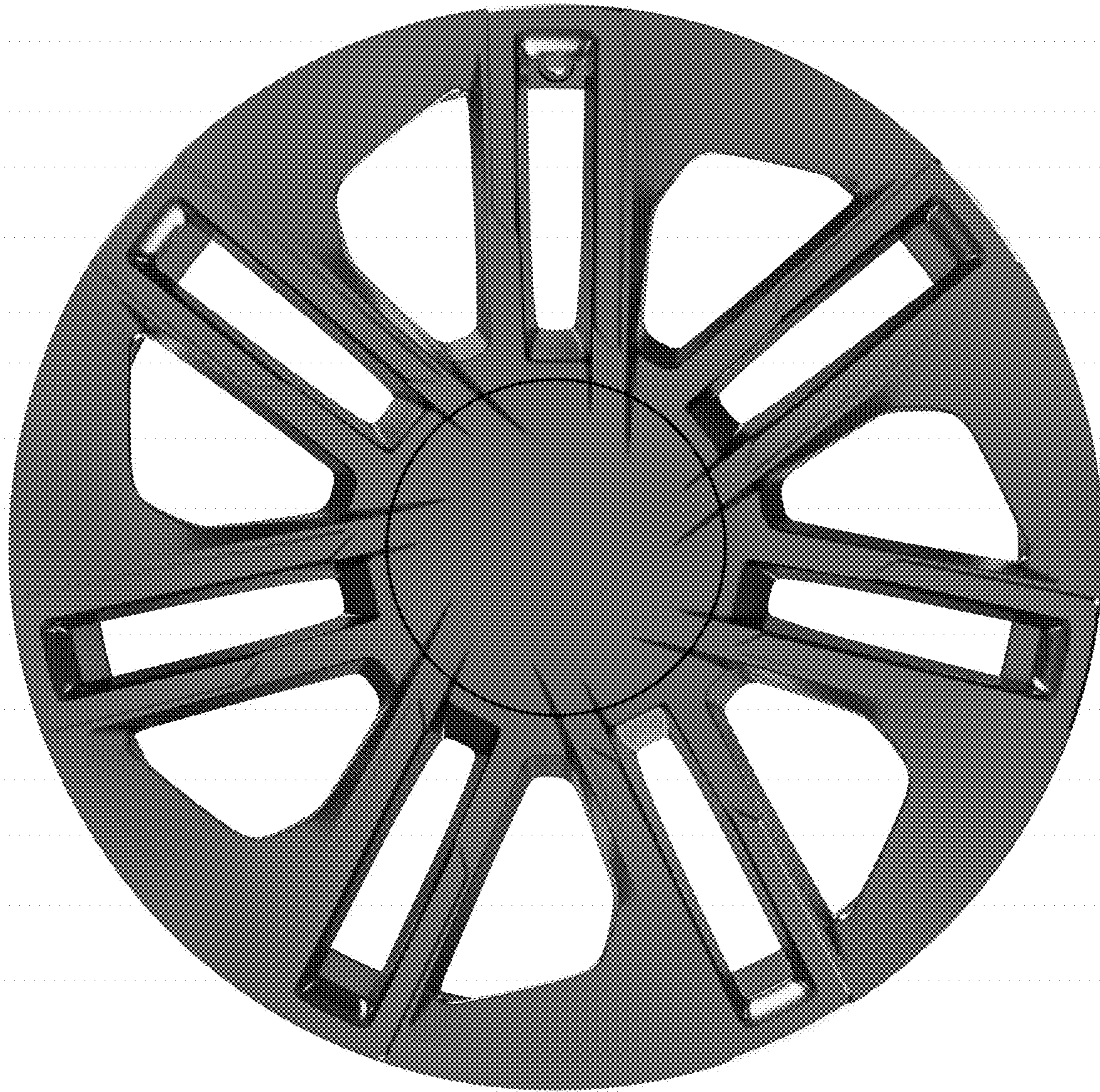


Figure 1





Figure 2





Figure 3



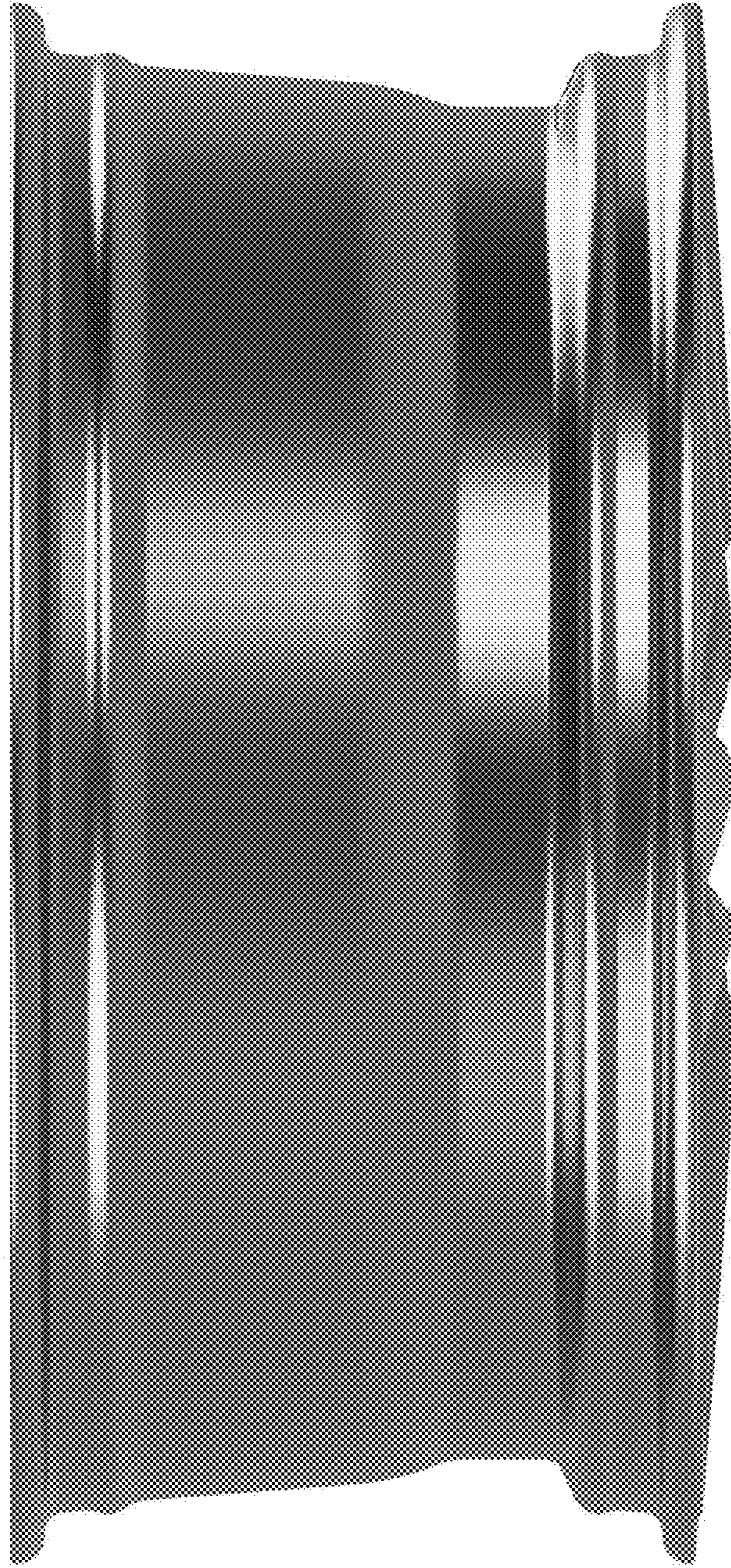


Figure 4



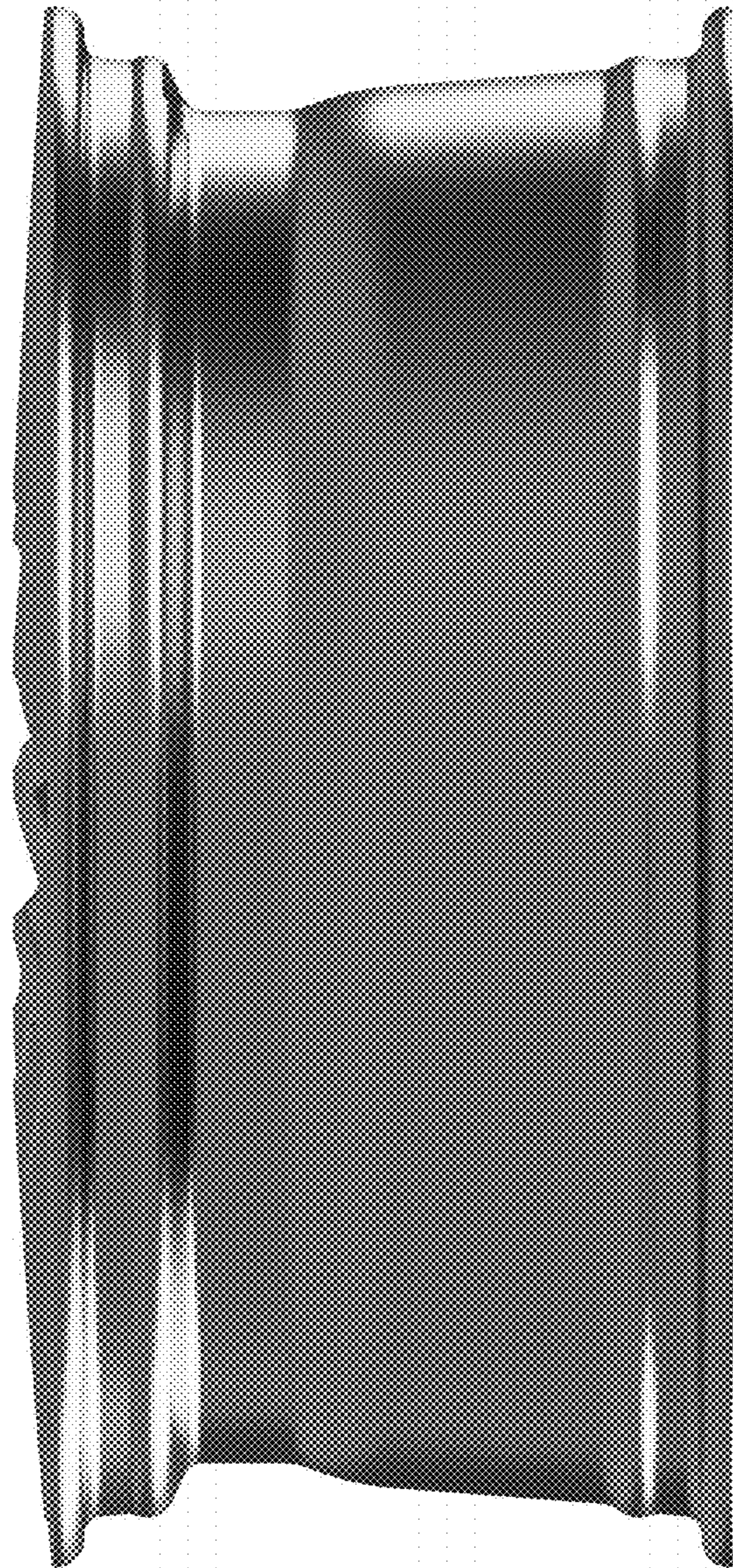


Figure 5



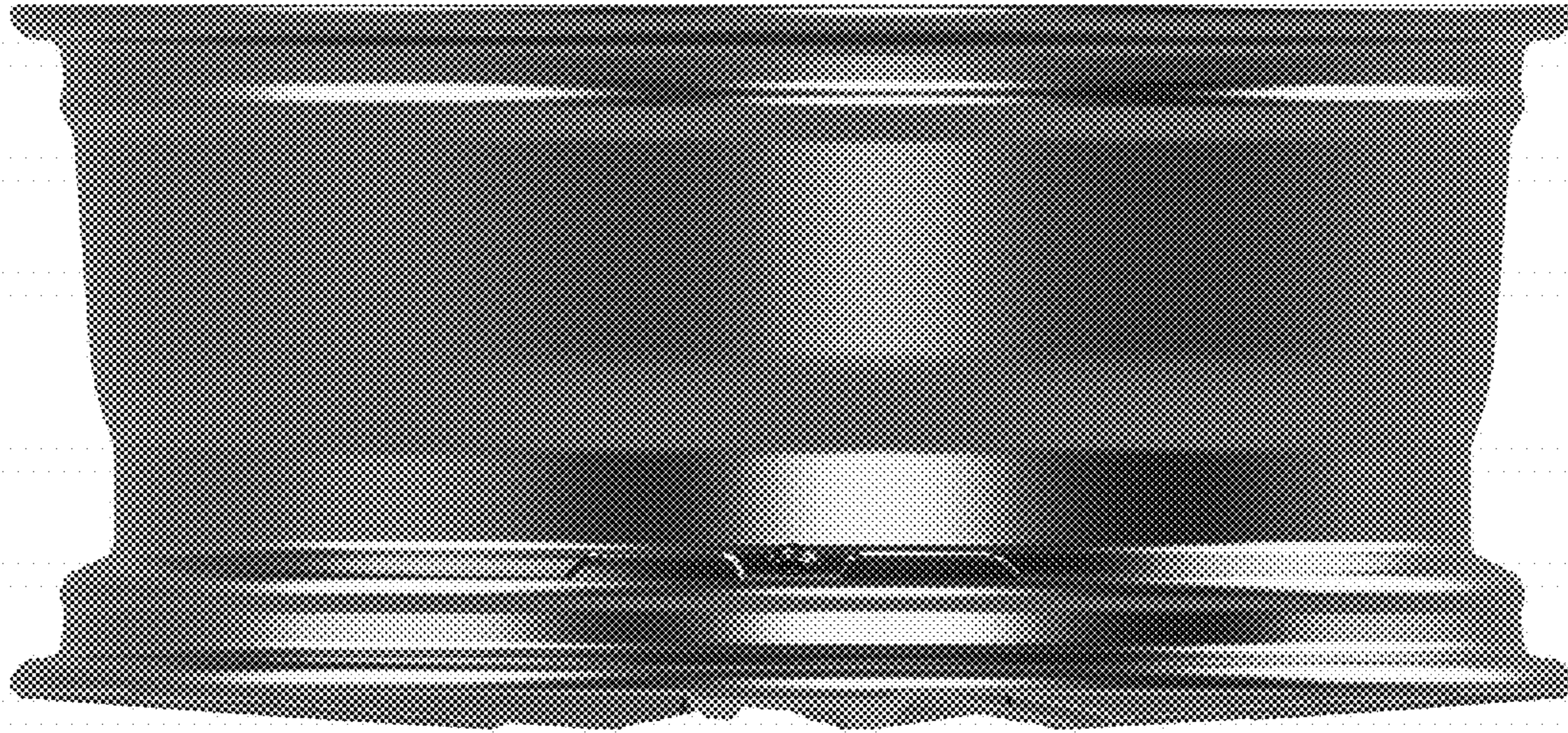


Figure 6

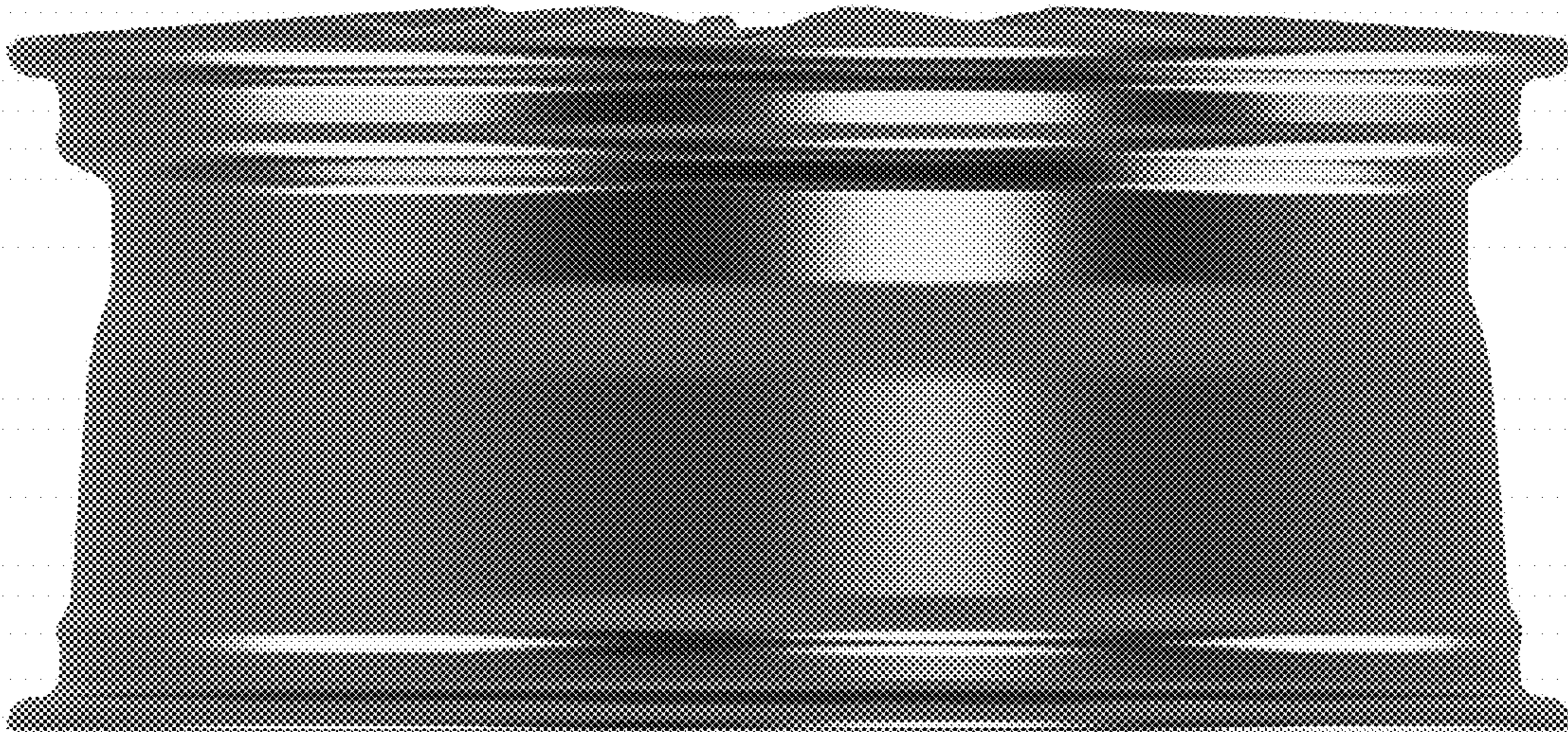


Figure 7