



US00D881771S

(12) **United States Design Patent** (10) **Patent No.:** **US D881,771 S**
Xiong (45) **Date of Patent:** **** Apr. 21, 2020**

(54) **AUTOMOTIVE DISPLAY**
(71) Applicant: **Li-Jun Xiong**, Hubei (CN)
(72) Inventor: **Li-Jun Xiong**, Hubei (CN)
(73) Assignee: **SHENZHEN SUNVEYTECH CO., LTD.**, Shenzhen (CN)
(**) Term: **15 Years**
(21) Appl. No.: **29/676,014**
(22) Filed: **Jan. 8, 2019**
(51) **LOC (12) Cl.** **12-16**
(52) **U.S. Cl.**
USPC **D12/192**
(58) **Field of Classification Search**
USPC D12/192, 415, 114, 345; D15/17, 28;
D23/324; D10/46, 98, 102-103, 122-127
CPC B60H 1/34; B60H 1/3407; B60H 1/3414;
B60H 1/3421; B60H 1/3428; B60H
1/3435; B60H 1/3442; B60H 1/345;
B60H 1/3457; B60H 2001/3464; B60H
2001/3471; B60H 2001/3478; B60H
2001/3485
See application file for complete search history.

(56) **References Cited**
U.S. PATENT DOCUMENTS
D815,002 S * 4/2018 Niemiec D12/192
D820,753 S * 6/2018 Lee D12/192

D833,351 S * 11/2018 Kosinski, II D12/192
D834,477 S * 11/2018 Kumagai D12/192
D836,049 S * 12/2018 Ryu D12/192
D849,622 S * 5/2019 Woodhouse D12/192
D863,204 S * 10/2019 Ryou D12/415
D867,948 S * 11/2019 Engelmann D12/192
2014/0125876 A1 * 5/2014 Nakayama H04N 5/64
348/837
2017/0274773 A1 * 9/2017 Woodhouse B60K 35/00
2017/0313258 A1 * 11/2017 Argyle B60R 7/04
2017/0315354 A1 * 11/2017 Park G02B 27/0149

* cited by examiner

Primary Examiner — Katrina A Betton

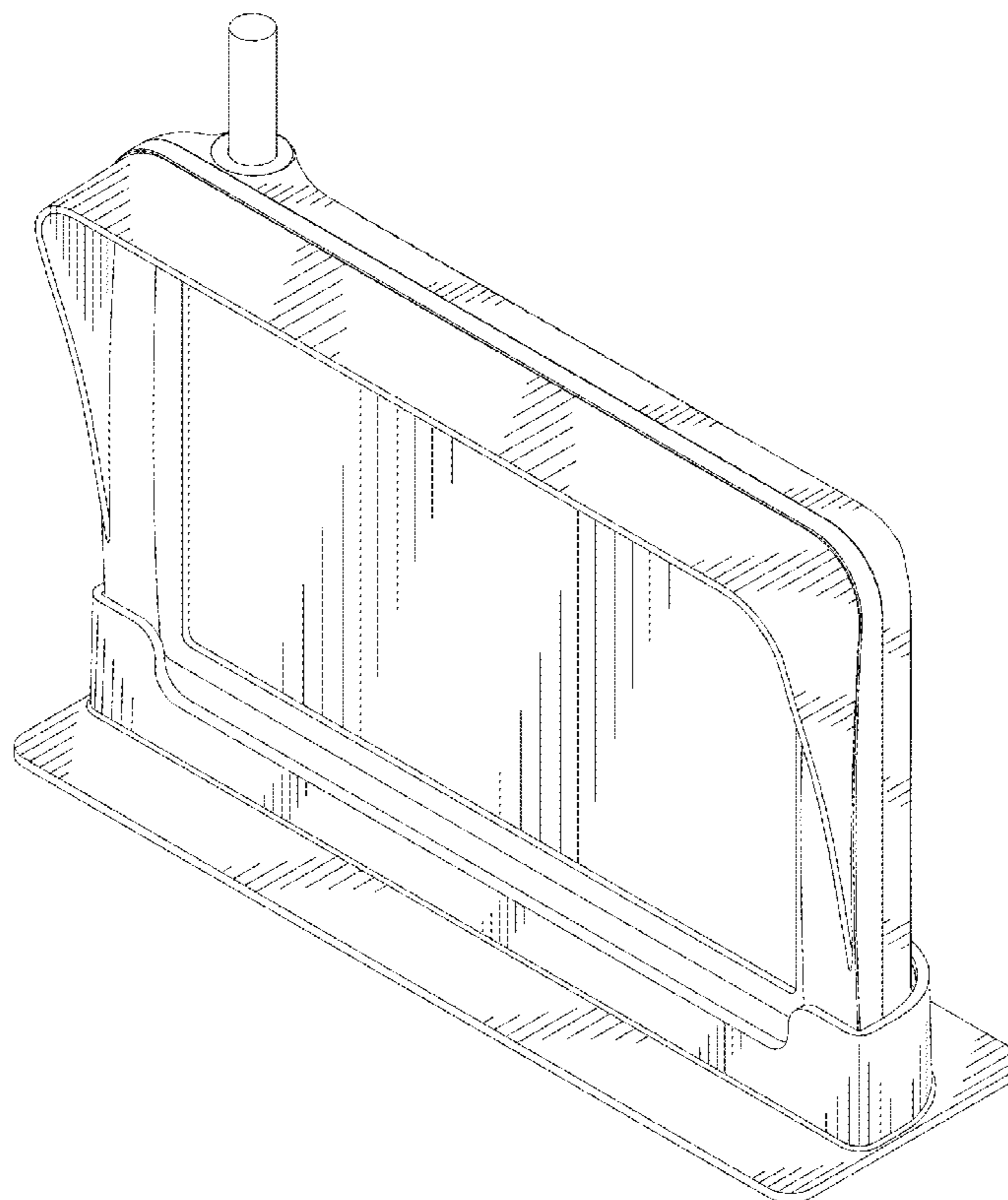
(57) **CLAIM**

The ornamental design for an automotive display, as shown and described.

DESCRIPTION

FIG. 1 is a perspective view of an automotive display showing my new design;
FIG. 2 is a front elevational view thereof;
FIG. 3 is a top plan view thereof;
FIG. 4 is a left side elevational view thereof;
FIG. 5 is a rear elevational view thereof;
FIG. 6 is a right side view thereof; and,
FIG. 7 is a bottom plan view thereof.

1 Claim, 7 Drawing Sheets



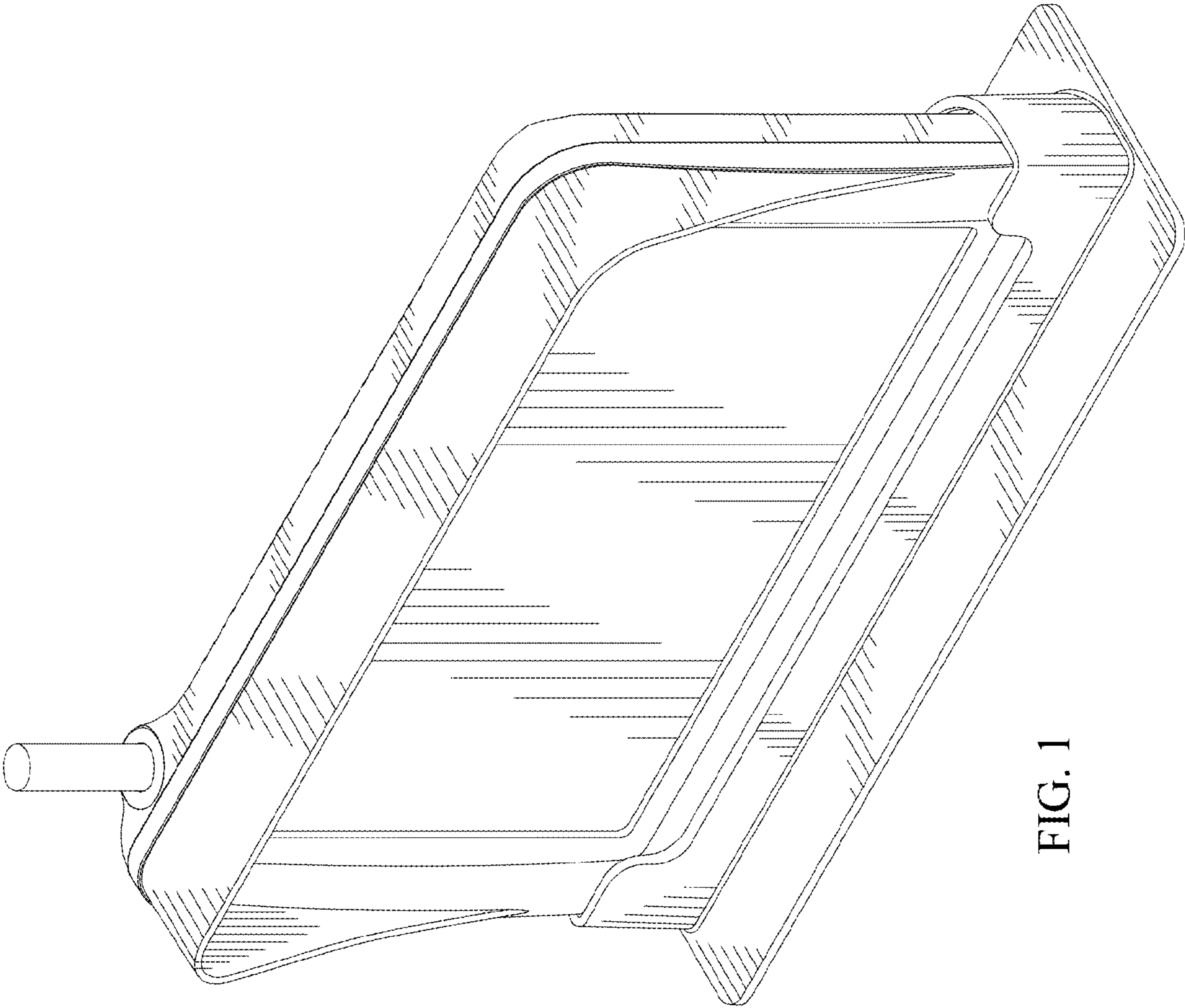


FIG. 1



FIG. 2

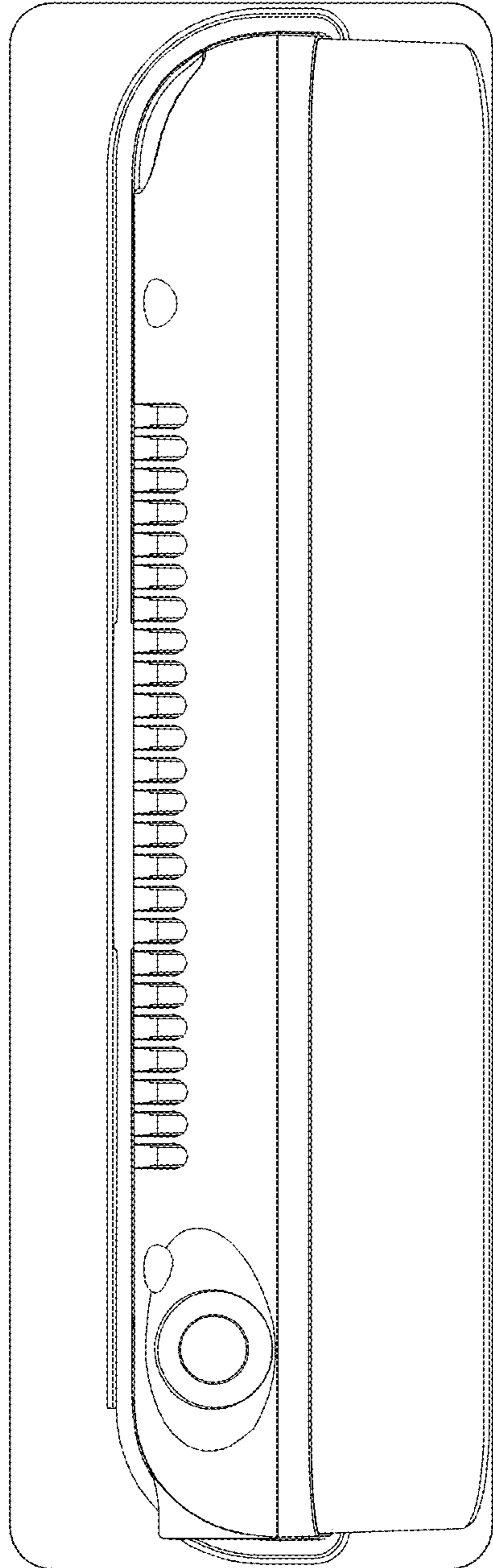


FIG. 3

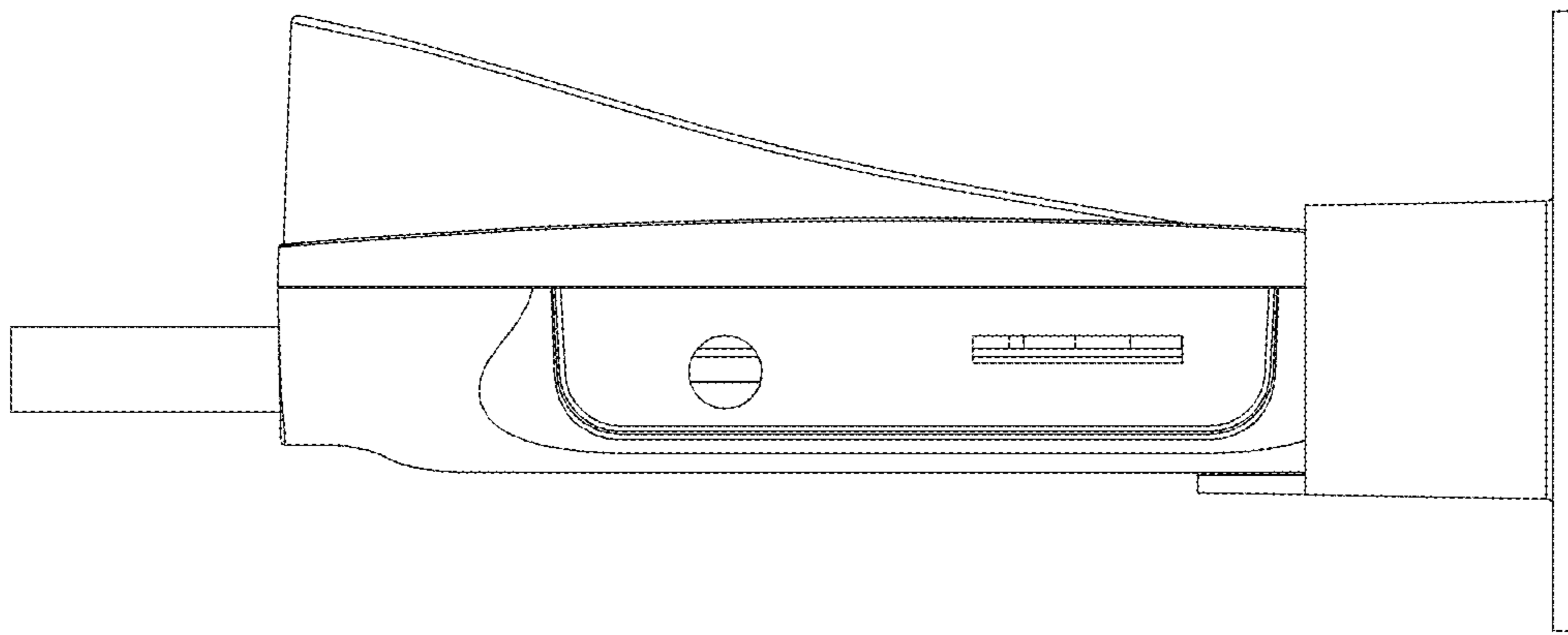


FIG. 4

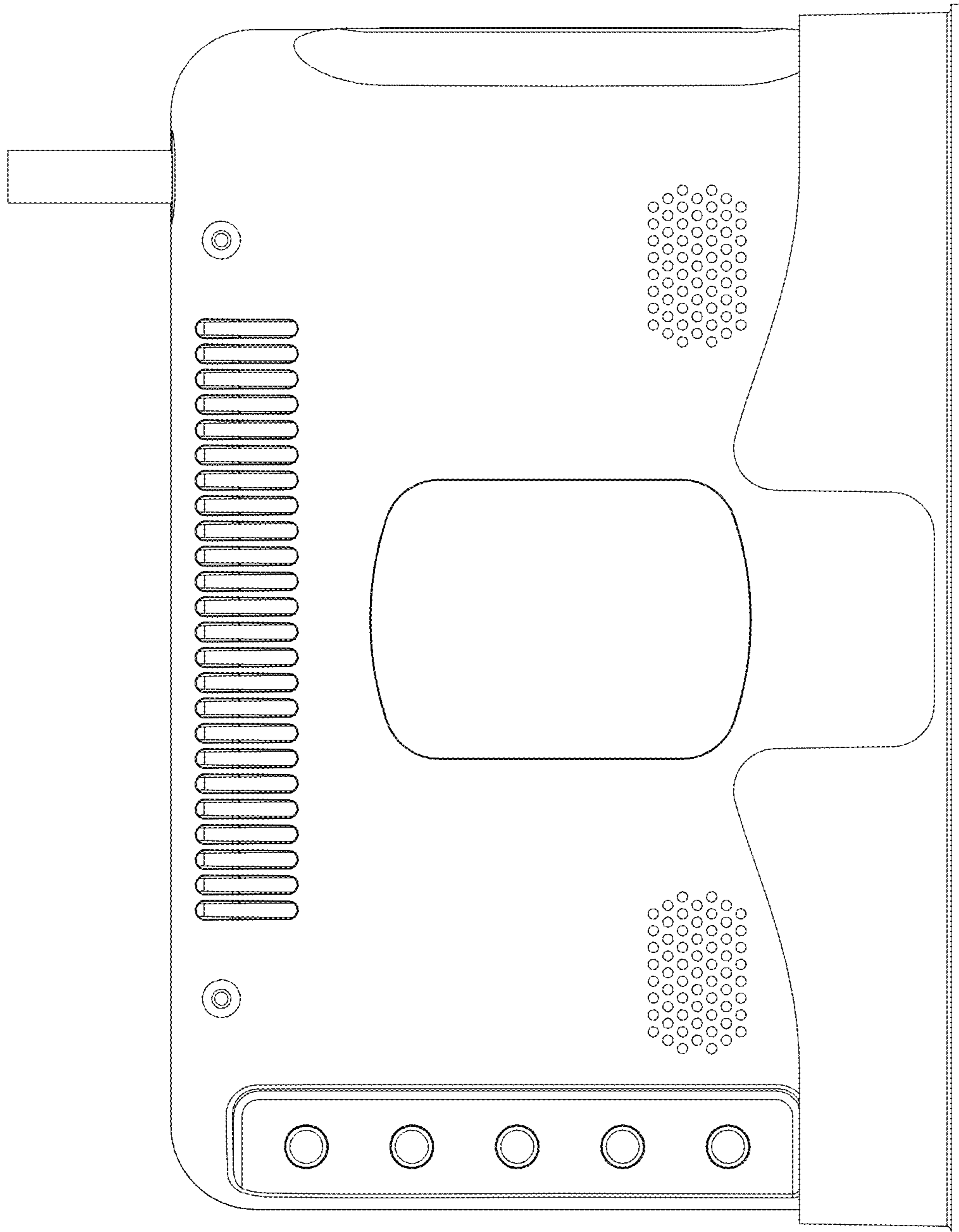


FIG. 5

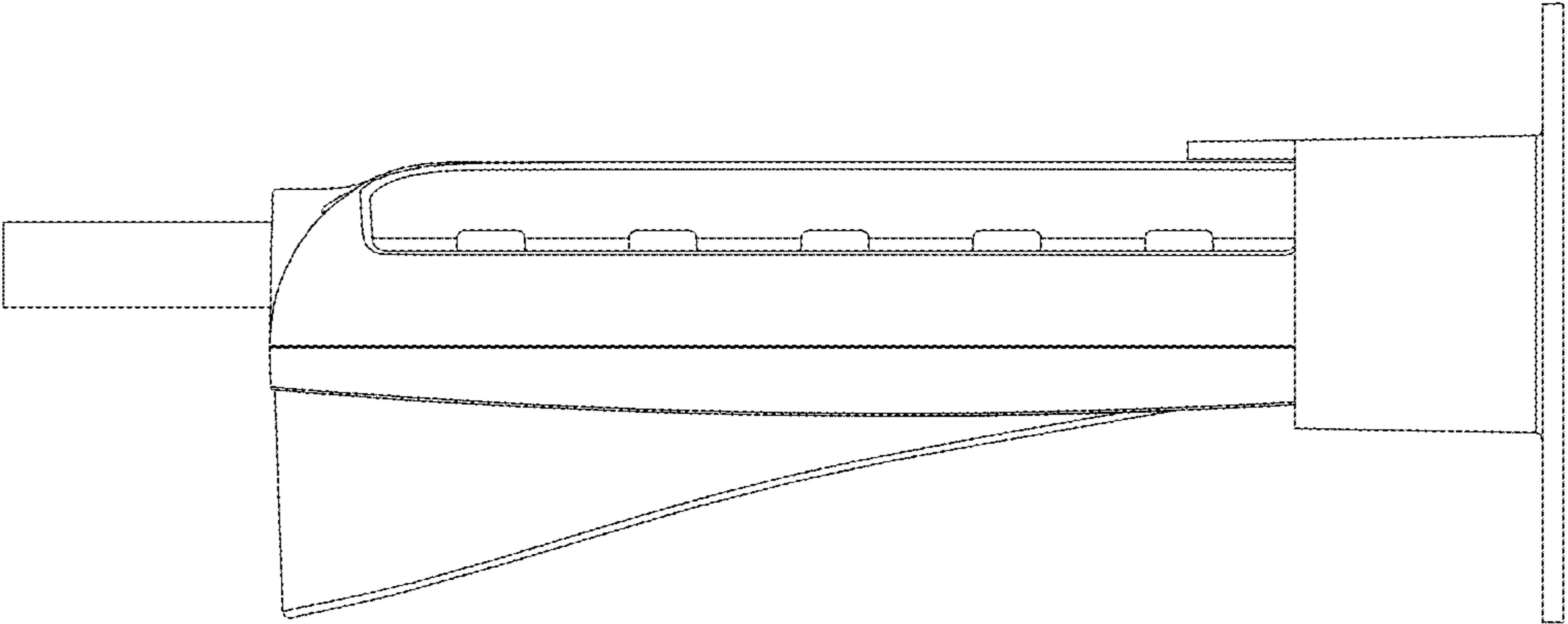


FIG. 6

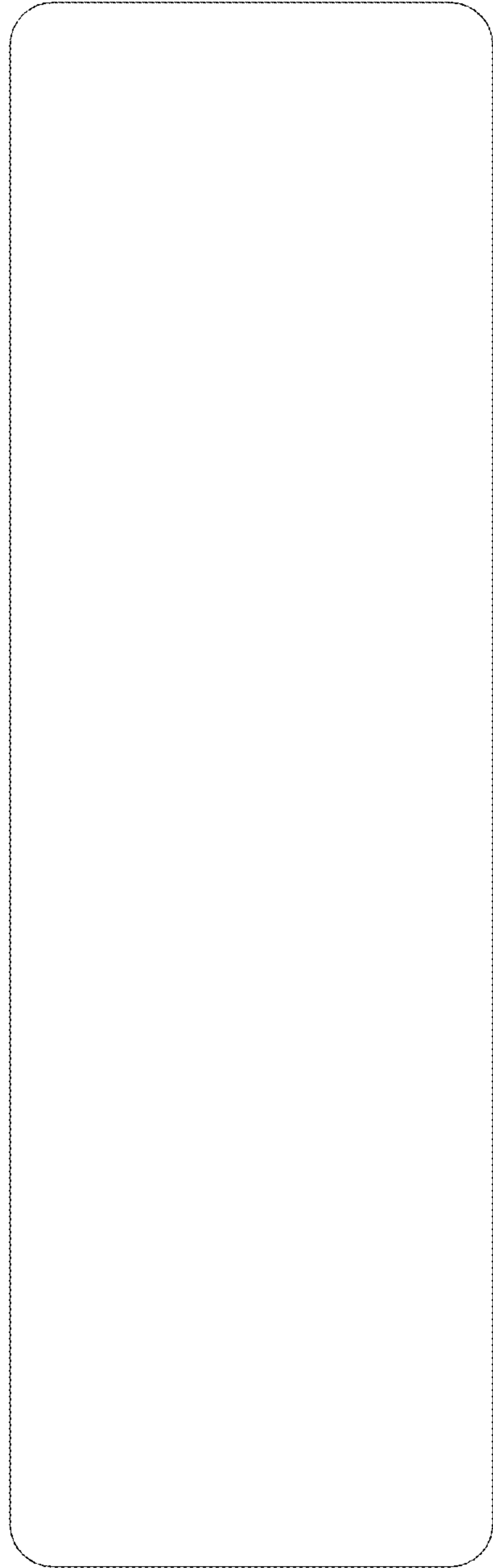


FIG. 7