



US00D881769S

(12) **United States Design Patent**
Hamlin et al.

(10) **Patent No.:** **US D881,769 S**
(45) **Date of Patent:** **** Apr. 21, 2020**

(54) **REARVIEW MIRROR**

(57) **CLAIM**

(71) Applicant: **Gentex Corporation**, Zeeland, MI (US)

The ornamental design for a rearview mirror, as shown and described.

(72) Inventors: **Bradley R. Hamlin**, Allendale, MI (US); **Paul C. Schutter**, Kent City, MI (US); **Eric S. Sloterbeek**, Hudsonville, MI (US); **William M. Vanden Bos**, Grand Rapids, MI (US)

(73) Assignee: **GENTEX CORPORATION**, Zeeland, MI (US)

(**) Term: **15 Years**

(21) Appl. No.: **29/642,068**

(22) Filed: **Mar. 27, 2018**

(51) **LOC (12) Cl.** **12-16**

(52) **U.S. Cl.**
USPC **D12/187**

(58) **Field of Classification Search**
USPC D12/106, 187, 188, 189, 191, 195, 345,
D12/400, 415, 416, 417, 418, 419, 420, 6,
D12/96, 99, 300, 309

(Continued)

(56) **References Cited**

U.S. PATENT DOCUMENTS

D471,847 S * 3/2003 Rumsey D12/187
D478,537 S * 8/2003 Ono D12/187

(Continued)

FOREIGN PATENT DOCUMENTS

JP 1902693400 12/2007
JP 2100157000 7/2009

(Continued)

Primary Examiner — Susan E Krakower

Assistant Examiner — Jerry Shiuan-Hua Hsu

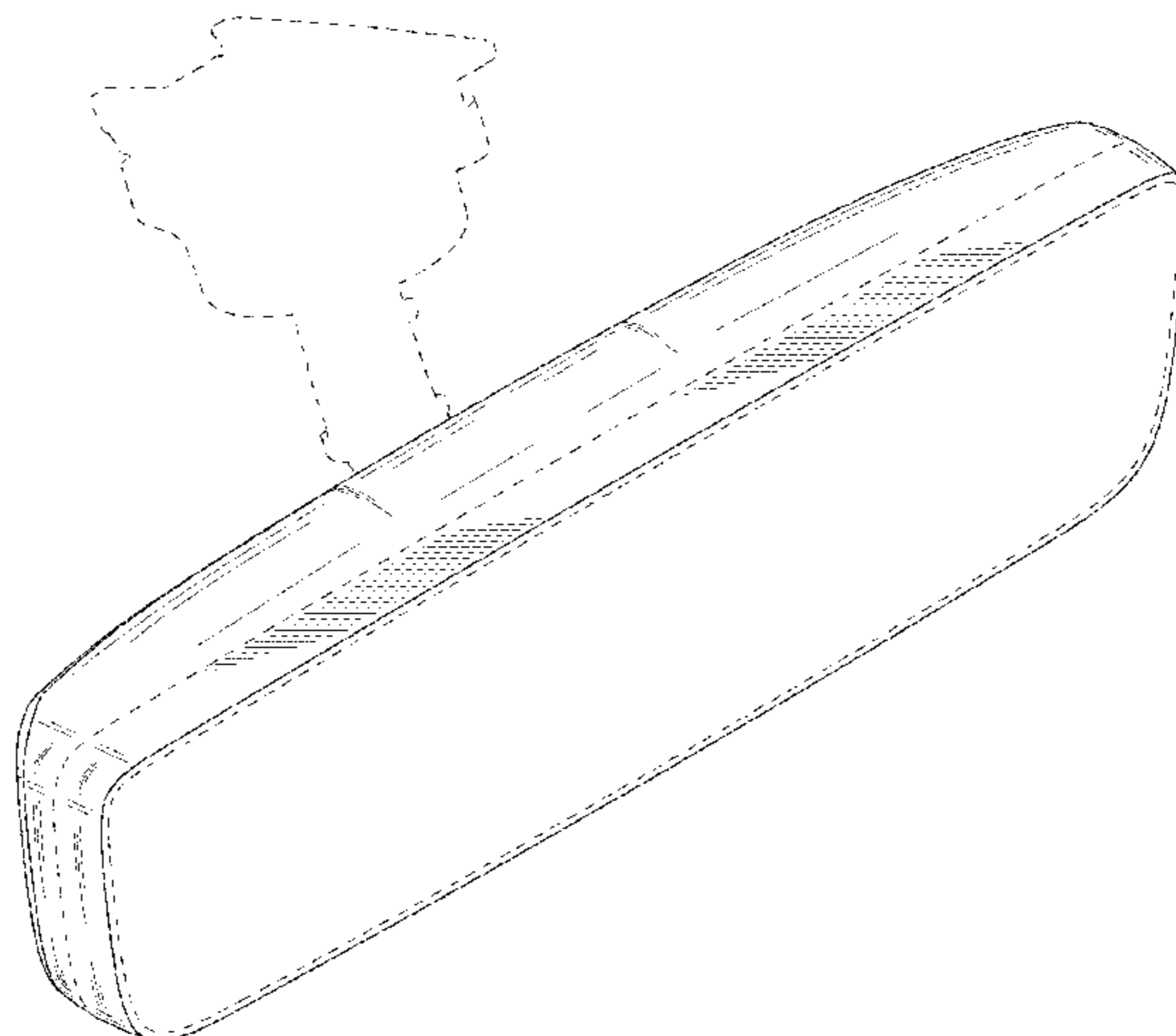
(74) *Attorney, Agent, or Firm* — Price Heneveld; Bradley D. Johnson

DESCRIPTION

FIG. 1 is a back perspective view of a rearview mirror according to a first embodiment of our design; FIG. 2 is a front perspective view thereof; FIG. 3 is a detail view thereof showing area 3, as indicated in FIG. 2; FIG. 4 is a back elevation view thereof; FIG. 5 is a front elevation view thereof; FIG. 6 is a right side elevation view thereof; FIG. 7 is a left side elevation view thereof; FIG. 8 is a detail view thereof showing area 8 of FIG. 7, being enlarged for ease of illustration; FIG. 9 is a top plan view thereof; FIG. 10 is a bottom plan view thereof; FIG. 11 is a detail view thereof showing area 11 of FIG. 10, being enlarged for ease of illustration; FIG. 12 is a back perspective view of a rearview mirror according to a second embodiment of our design; FIG. 13 is a front perspective view thereof; FIG. 14 is a detail view thereof showing area 14 of FIG. 13, being enlarged for ease of illustration; FIG. 15 is a back elevation view thereof; FIG. 16 is a front elevation view thereof; FIG. 17 is a right side elevation view thereof; FIG. 18 is a left side elevation view thereof; FIG. 19 is a detail view thereof showing area 19 of FIG. 18, being enlarged for ease of illustration; FIG. 20 is a top plan view thereof; FIG. 21 is a bottom plan view thereof; and, FIG. 22 is a detail view thereof showing area 22 of FIG. 21, being enlarged for ease of illustration.

The dash-dash broken lines illustrate portions of the rearview mirror that form no part of the claimed design. The dash-dot-dot broken lines illustrate boundaries for the detail views and form no part of the claimed design.

1 Claim, 22 Drawing Sheets



US D881,769 S

Page 2

(58) **Field of Classification Search**

CPC .. B60R 1/04; B60R 1/088; B60R 1/12; G02B

27/0149

See application file for complete search history.

2012/0236388	A1*	9/2012	De Wind	B60R 1/04 359/267
2013/0170013	A1*	7/2013	Tonar	B60R 1/088 359/296
2014/0192431	A1*	7/2014	Sloterbeek	B60R 1/12 359/871

(56)

References Cited

U.S. PATENT DOCUMENTS

D556,105	S	*	11/2007	Carter	D12/187
D556,106	S	*	11/2007	Carter	D12/187
D729,713	S	*	5/2015	Hamlin	D12/187
D746,195	S	*	12/2015	Sloterbeek	D12/187
D746,744	S	*	1/2016	Sloterbeek	D12/187
D755,097	S	*	5/2016	Lin	D12/187
D761,171	S	*	7/2016	Roth	D12/187
D783,480	S		4/2017	Sloterbeek et al.	
D786,755	S		5/2017	Sloterbeek et al.	
D797,627	S	*	9/2017	Faust	D12/187
D809,984	S	*	2/2018	Hamlin	D12/187

FOREIGN PATENT DOCUMENTS

JP	2101836800	1/2010
JP	2012516271 A	7/2012
JP	2016534915 A	11/2016
JP	1574810 S	4/2017
JP	1574811 S	4/2017
JP	2017537833 A	12/2017
JP	2018504310 A	2/2018
JP	2018505436 A	2/2018
JP	2018034797 A	3/2018
JP	2018076062 A	5/2018
JP	2018514461 A	6/2018
JP	D1616622	10/2018
KR	3008758250001	10/2016

* cited by examiner

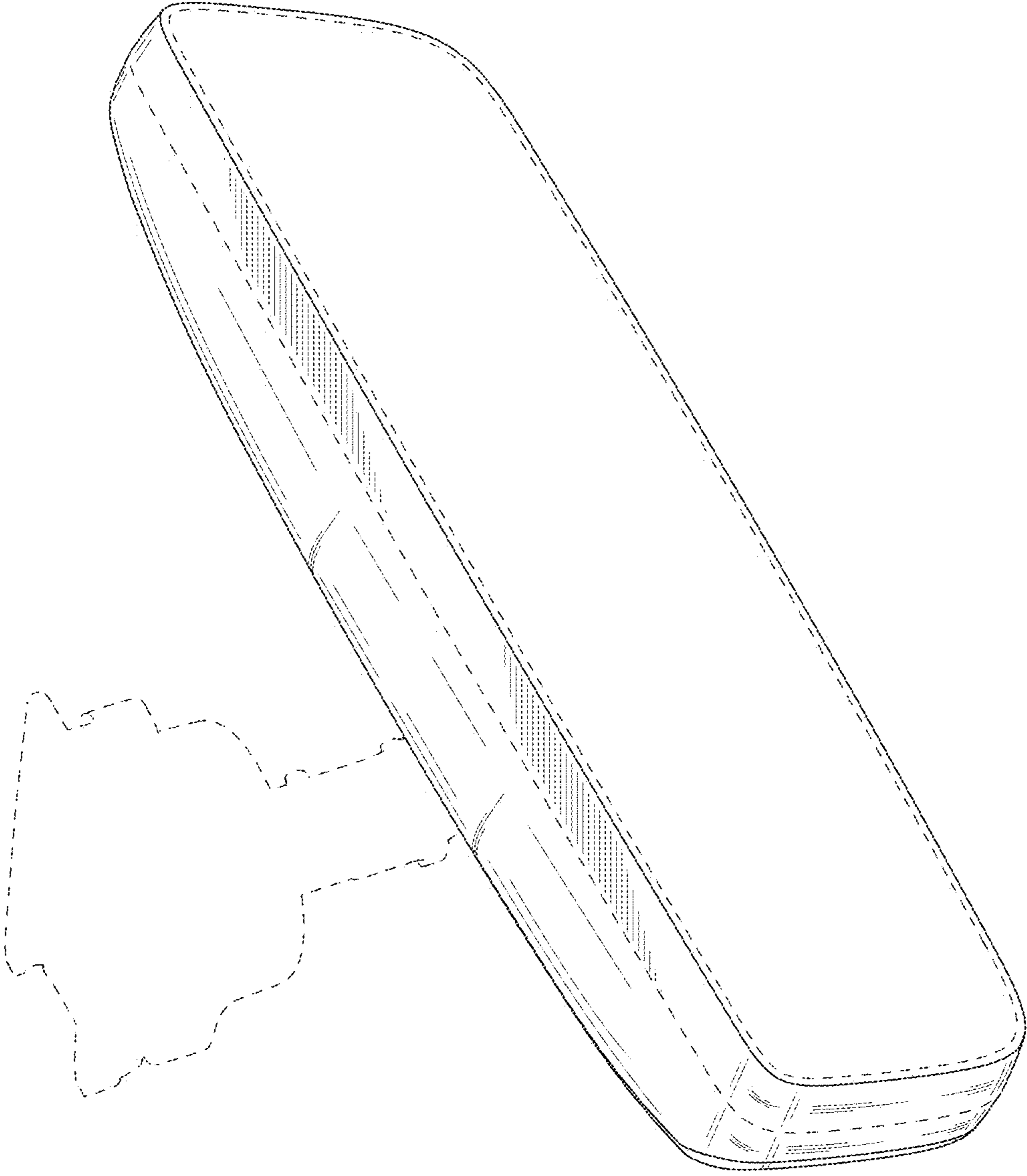


FIG. 1

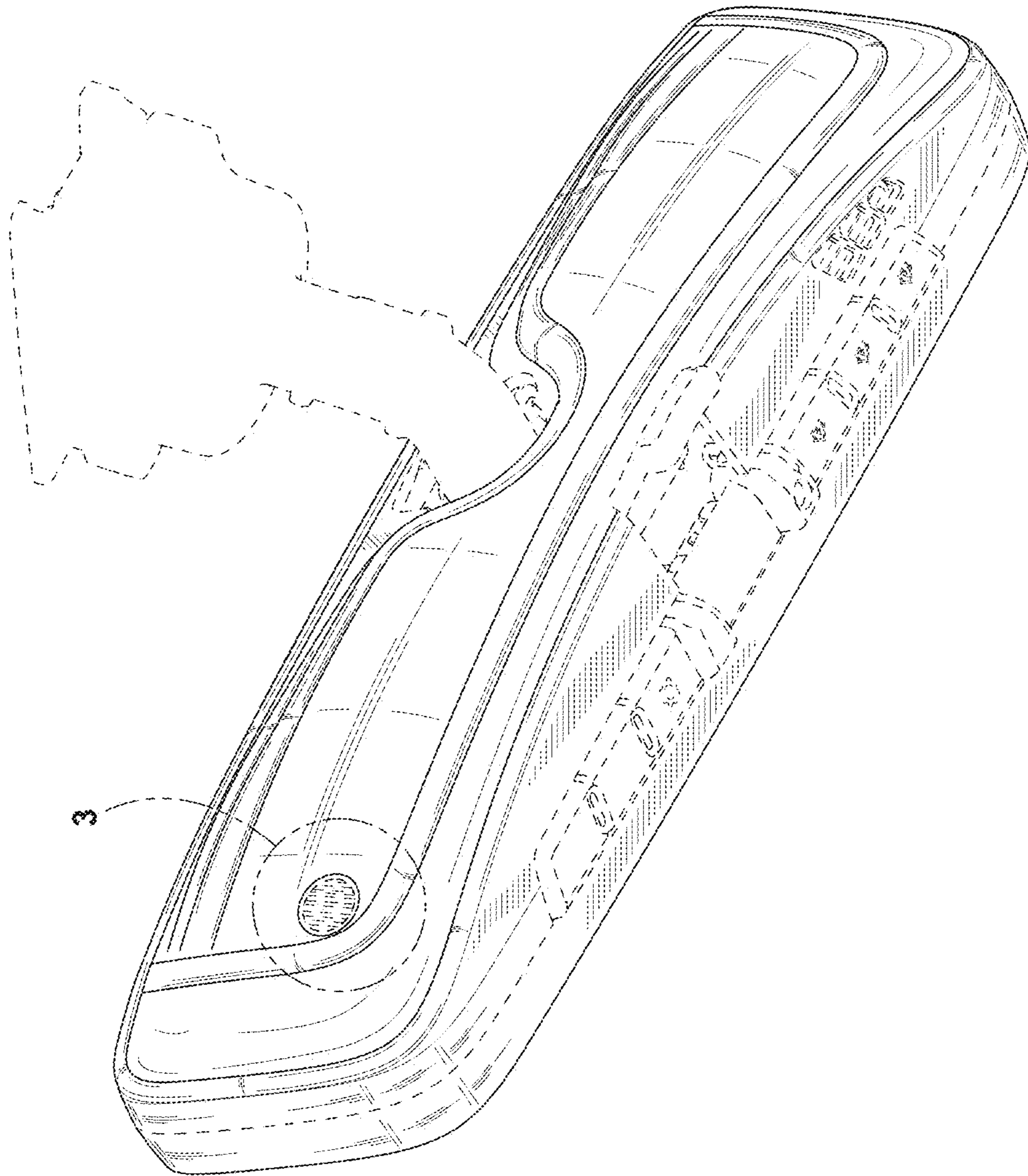


FIG. 2

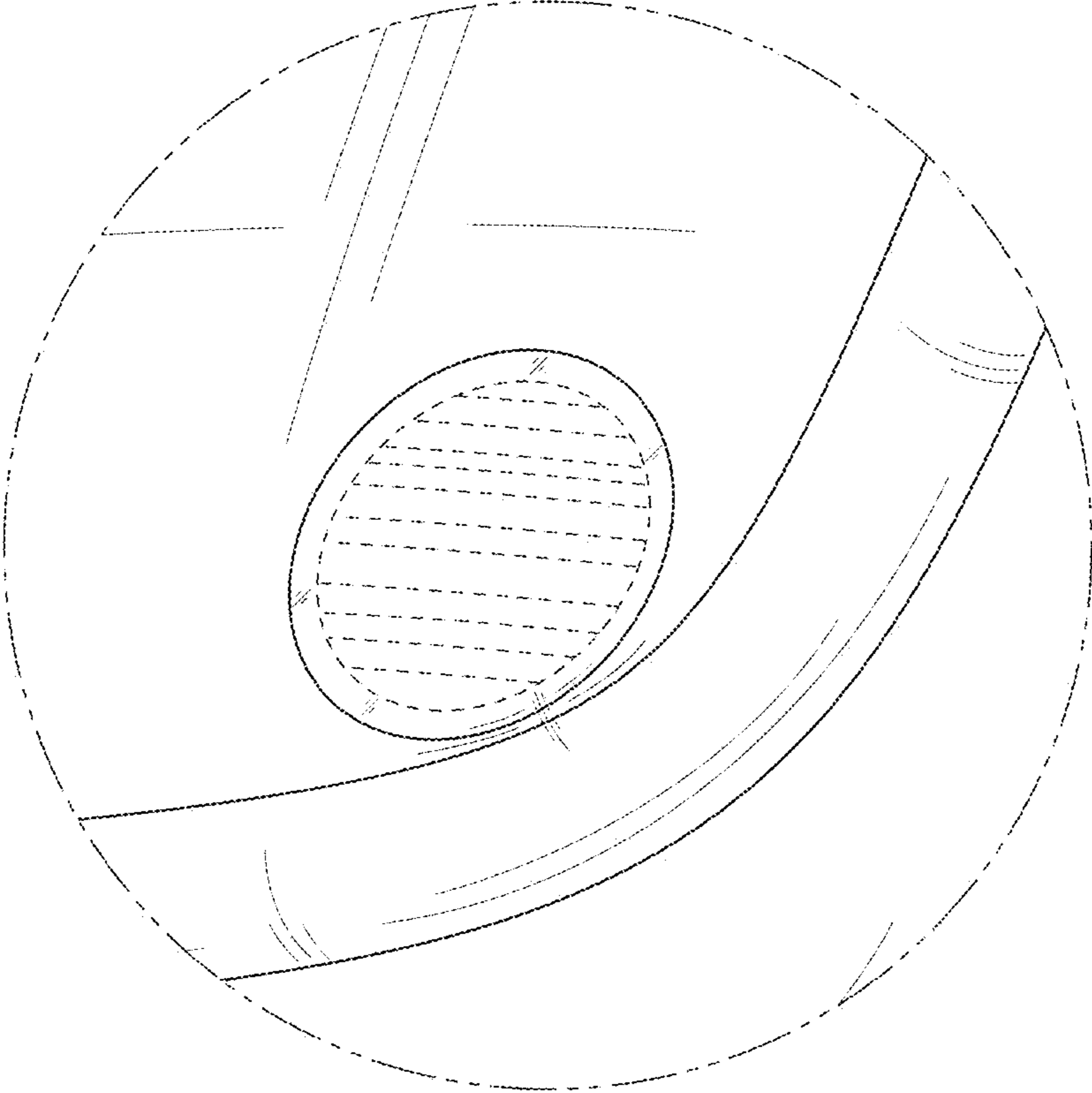


FIG. 3

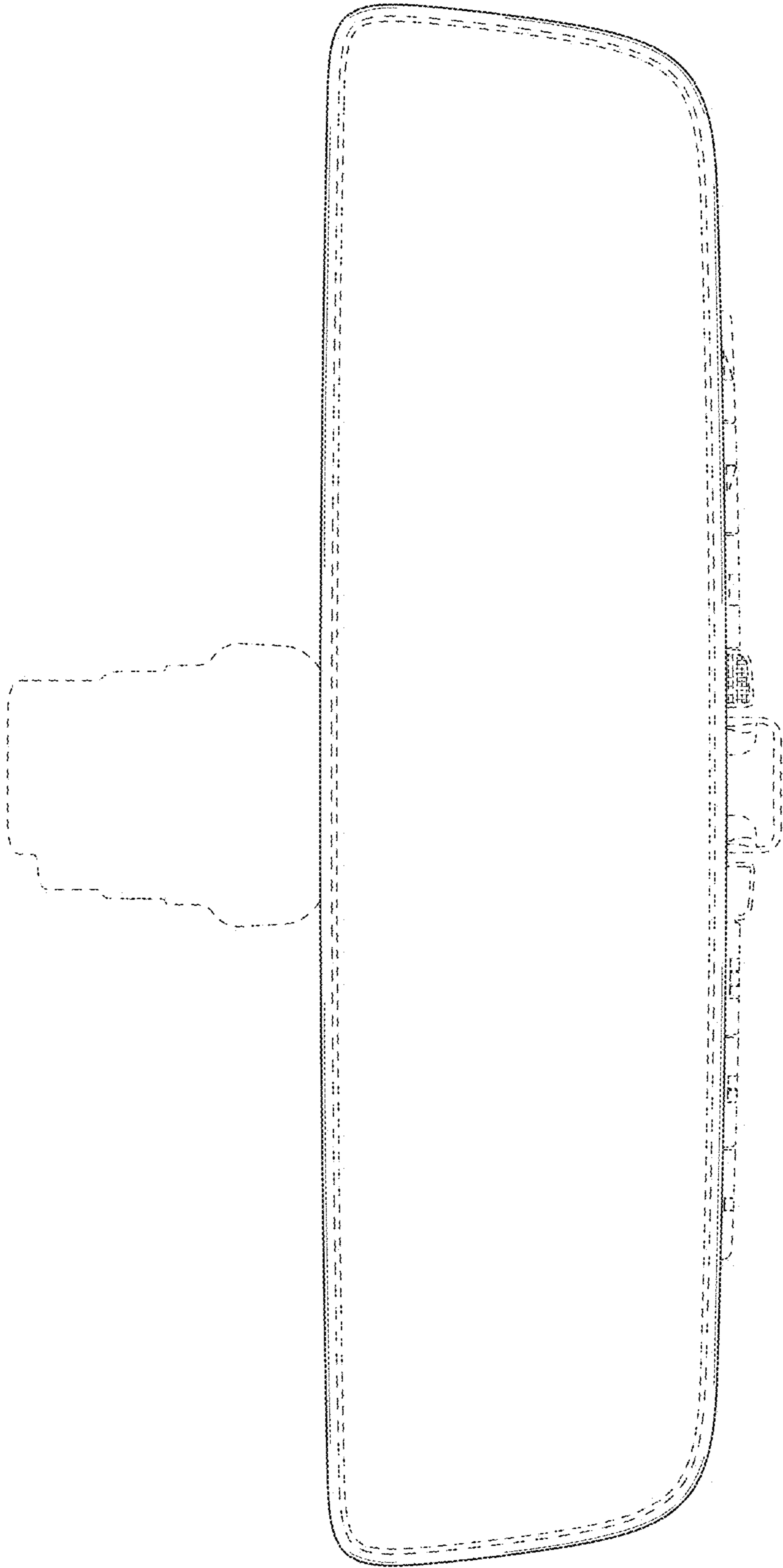


FIG. 4

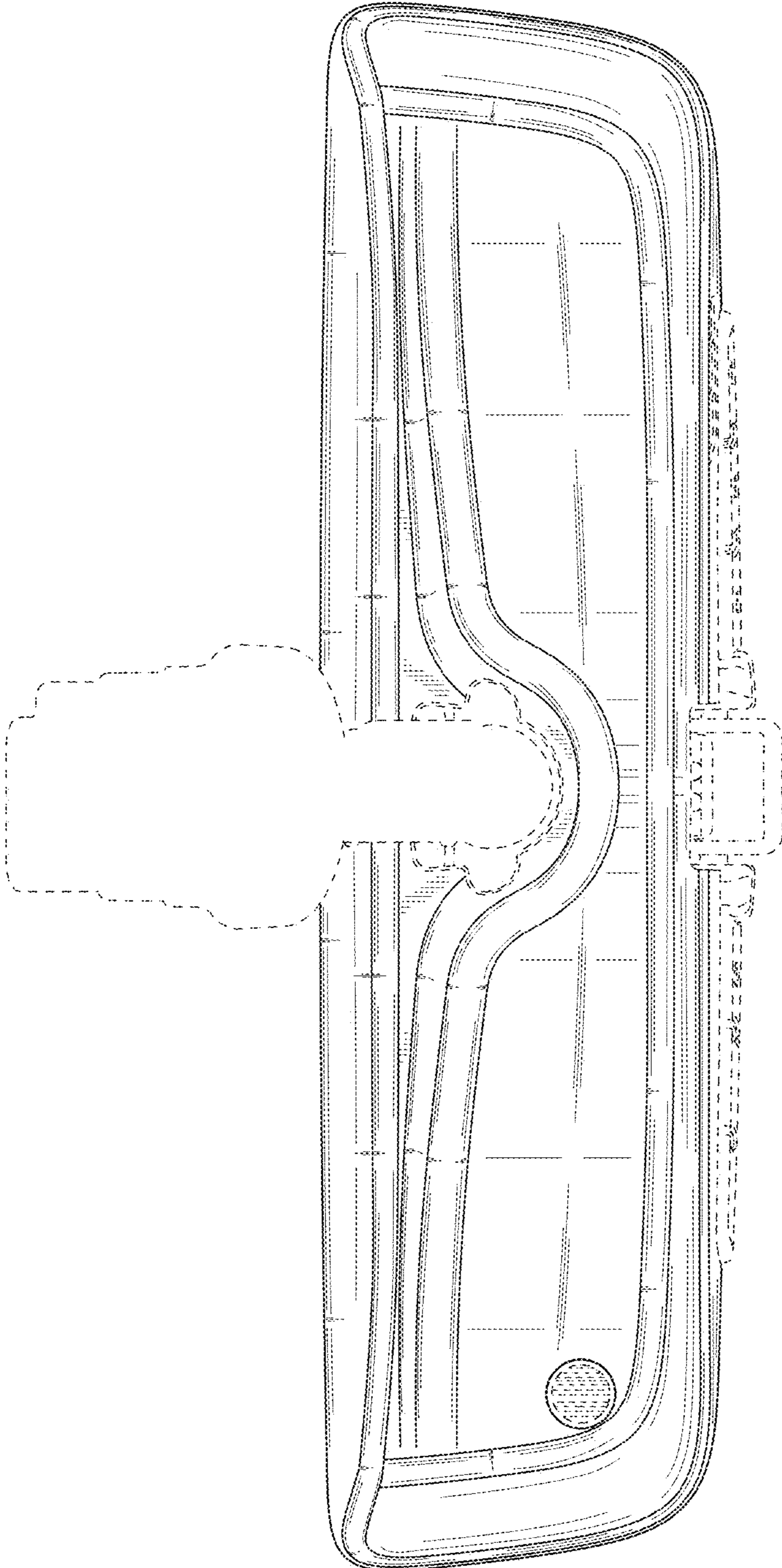


FIG. 5

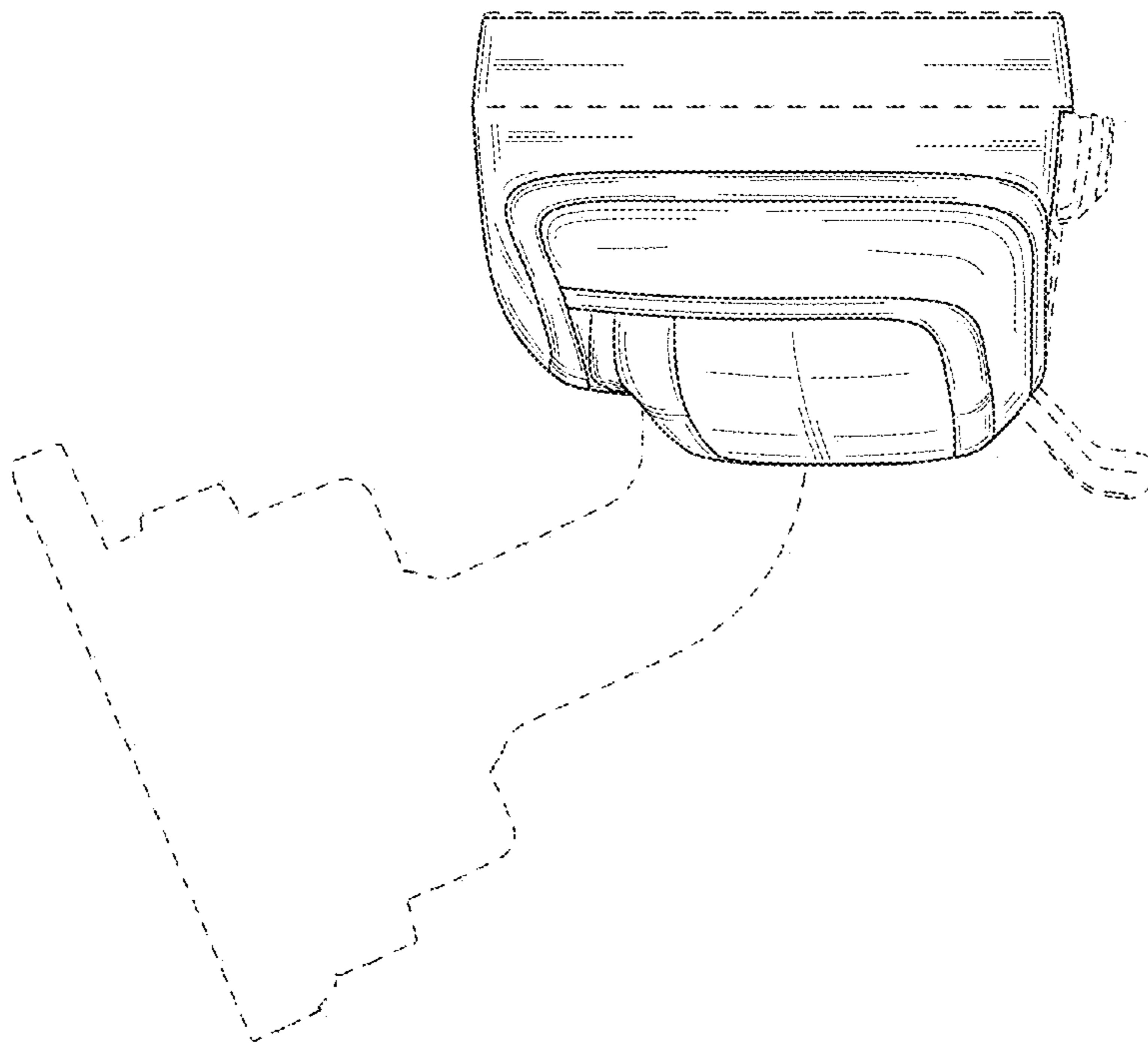


FIG. 6

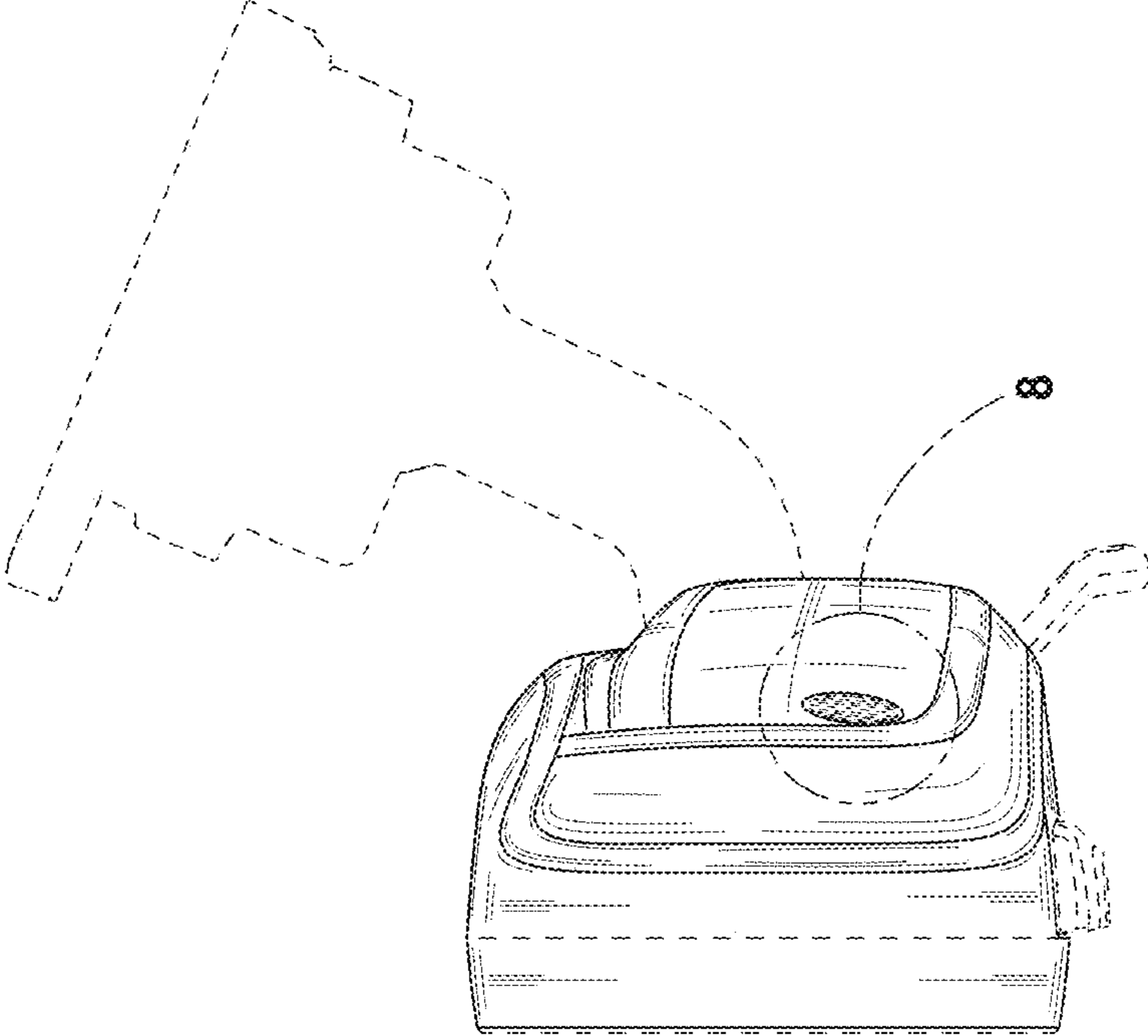


FIG. 7

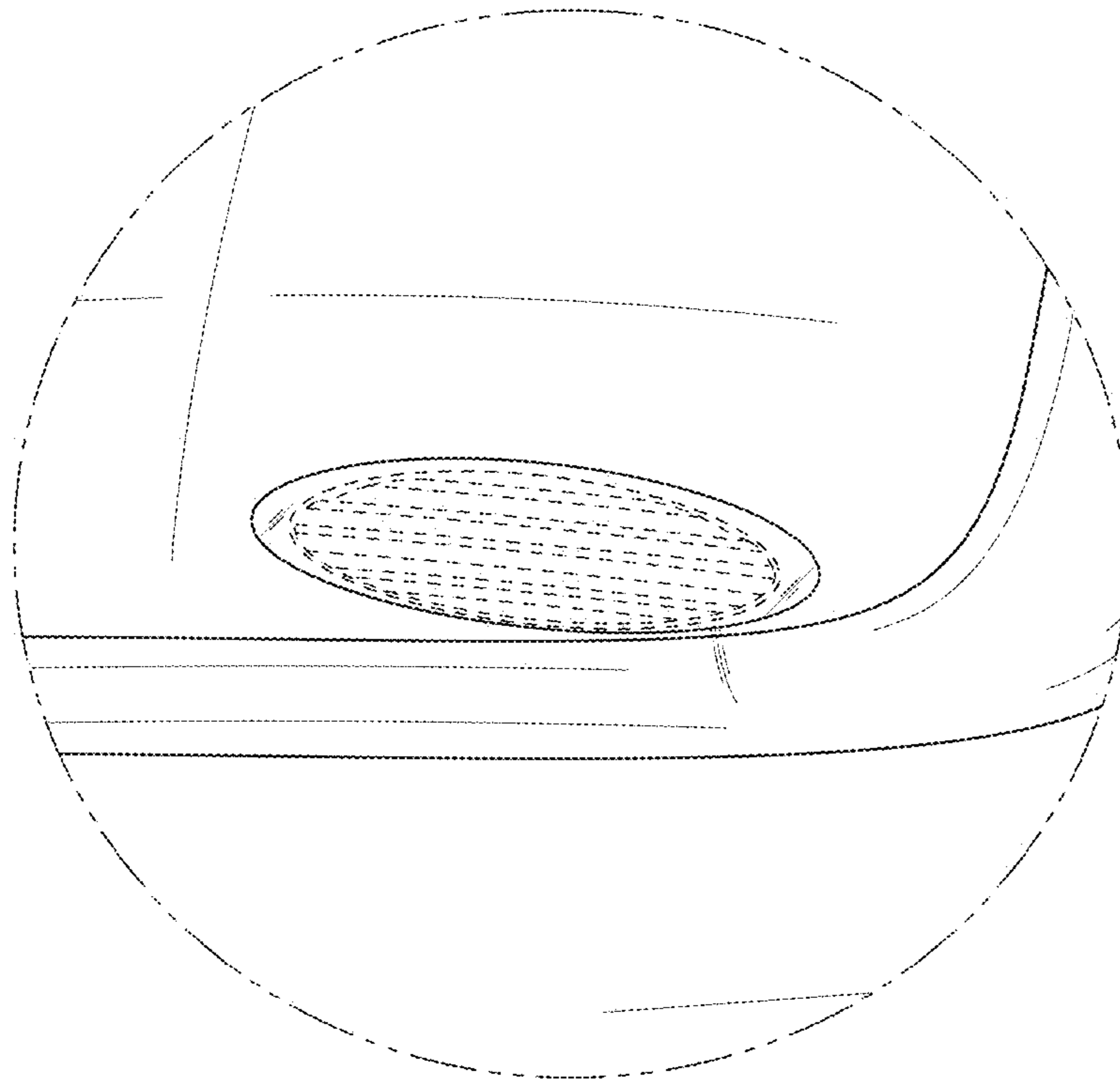


FIG. 8

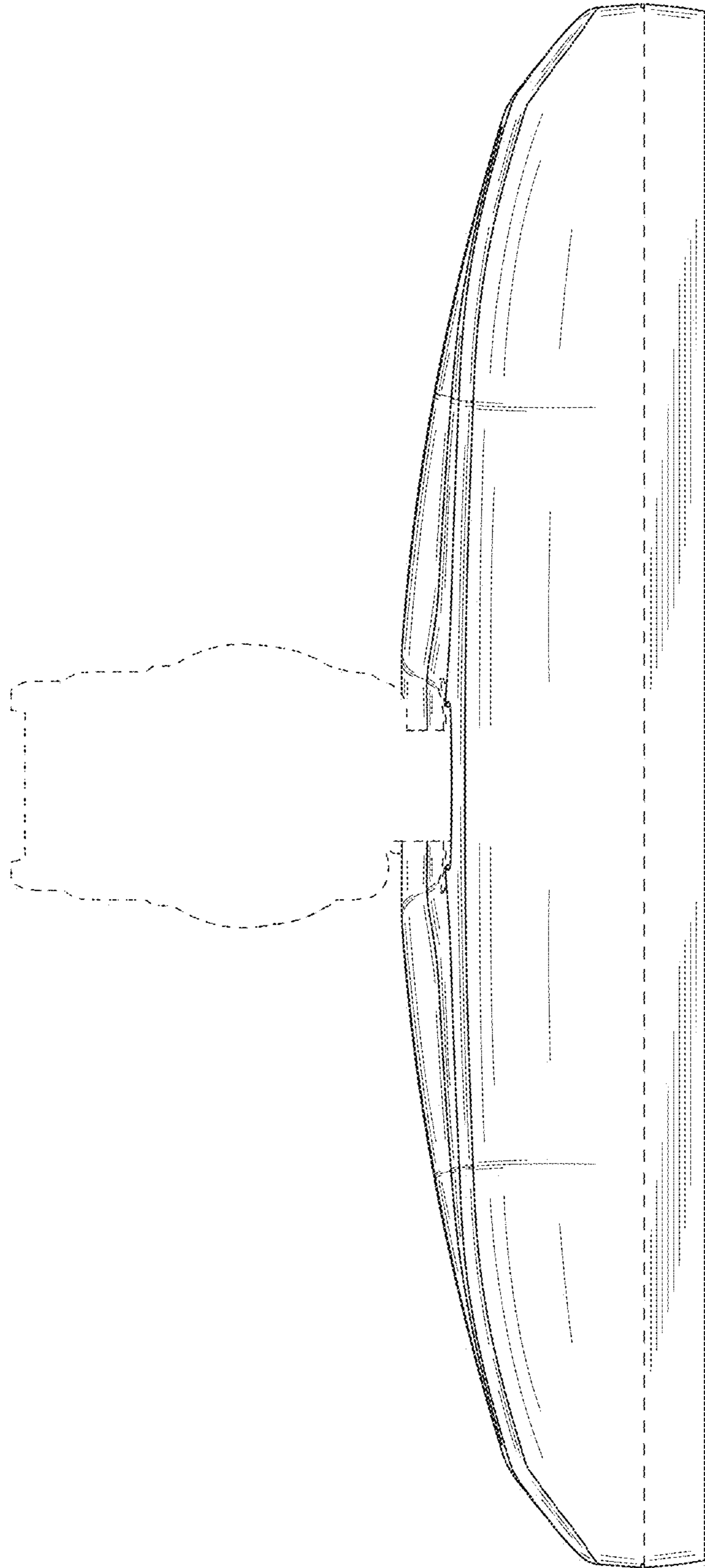


FIG. 9

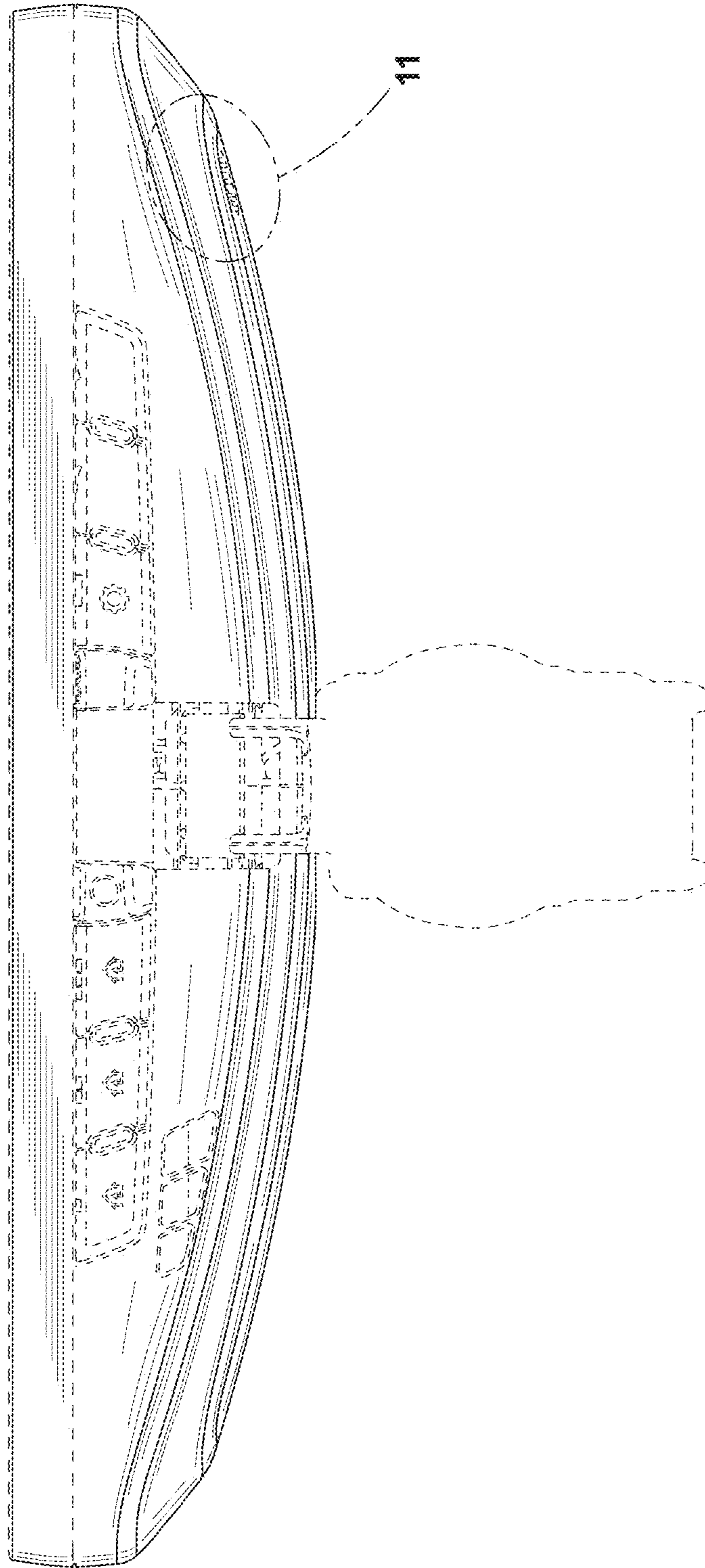


FIG. 10

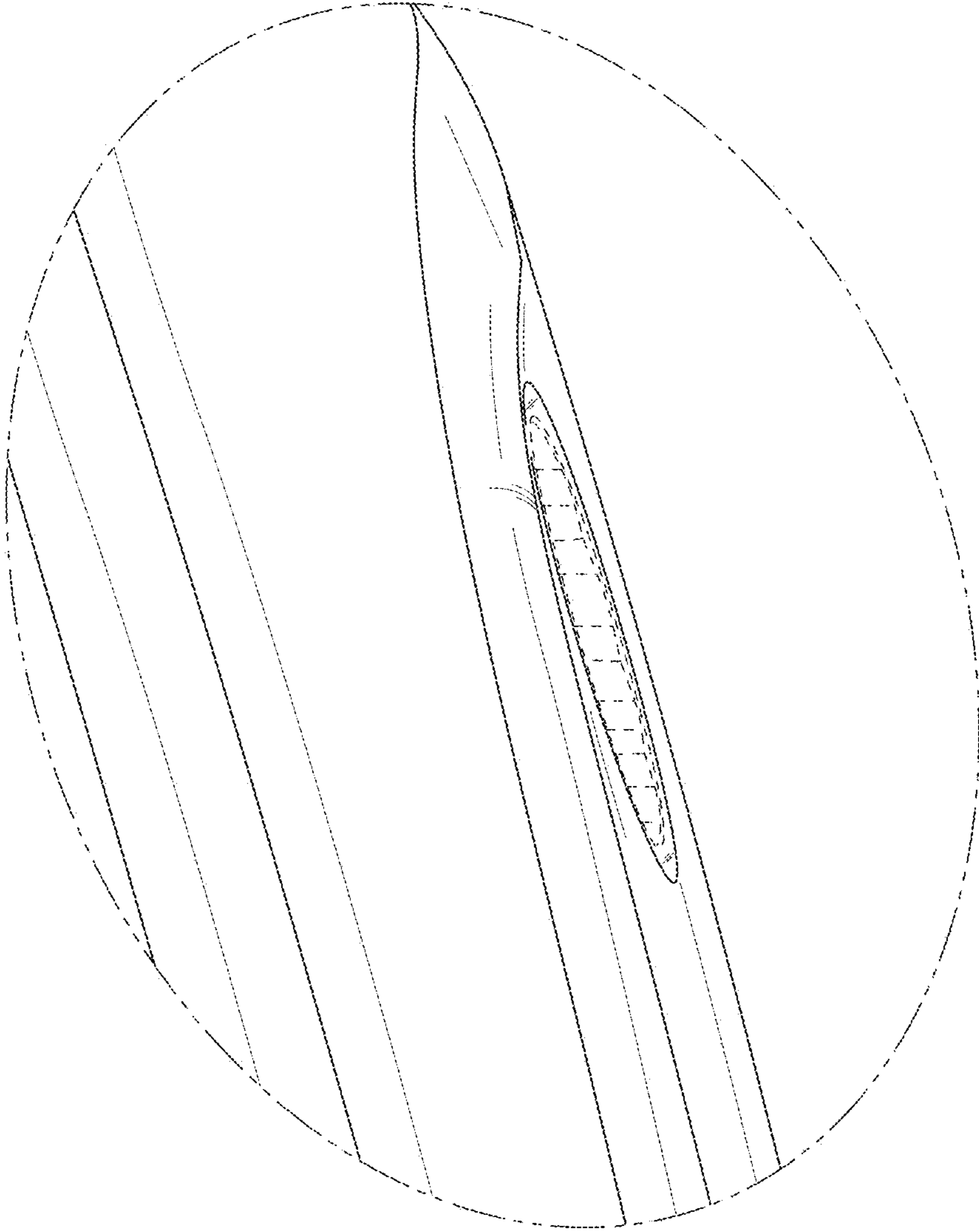


FIG. 11

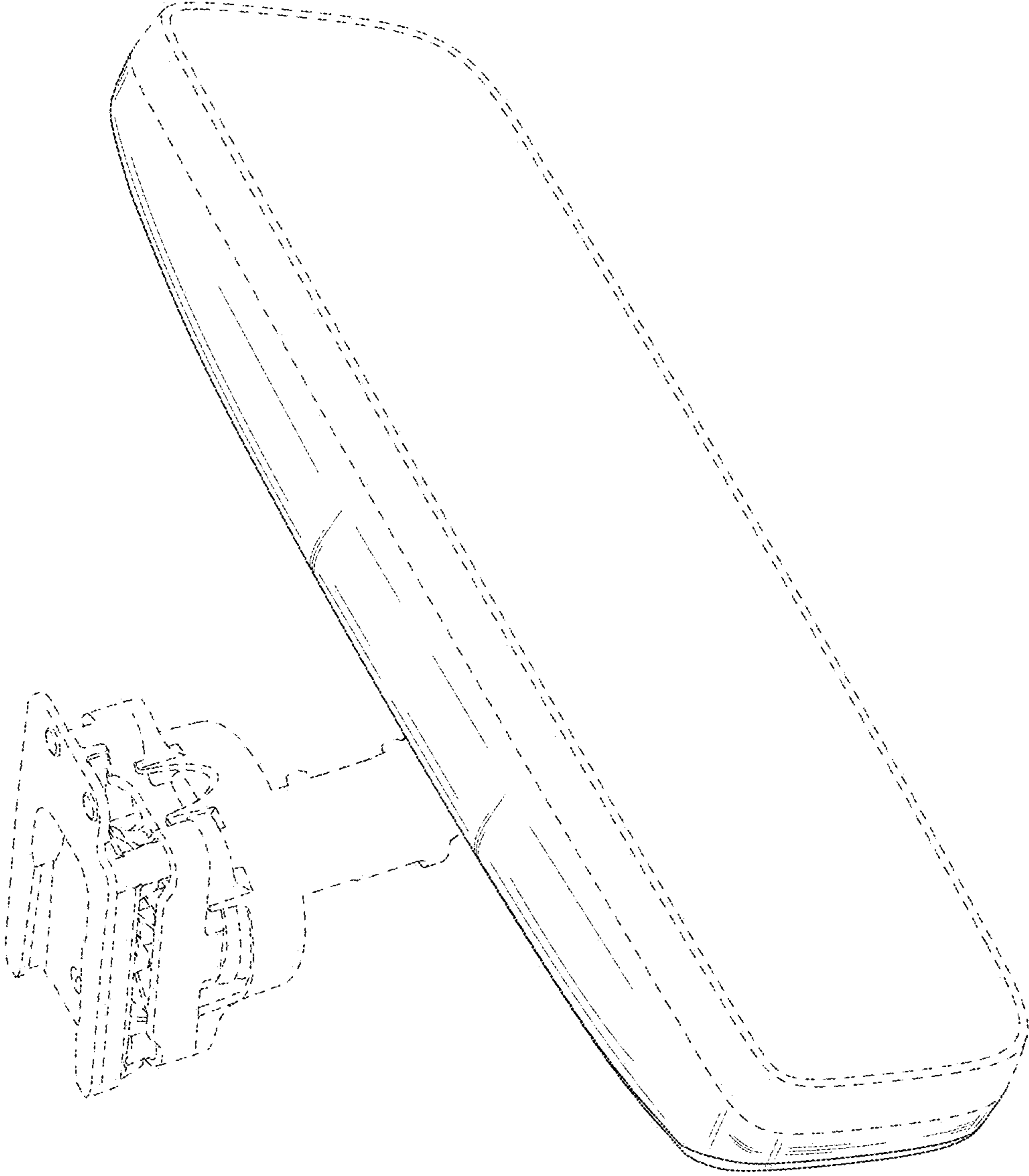


FIG. 12

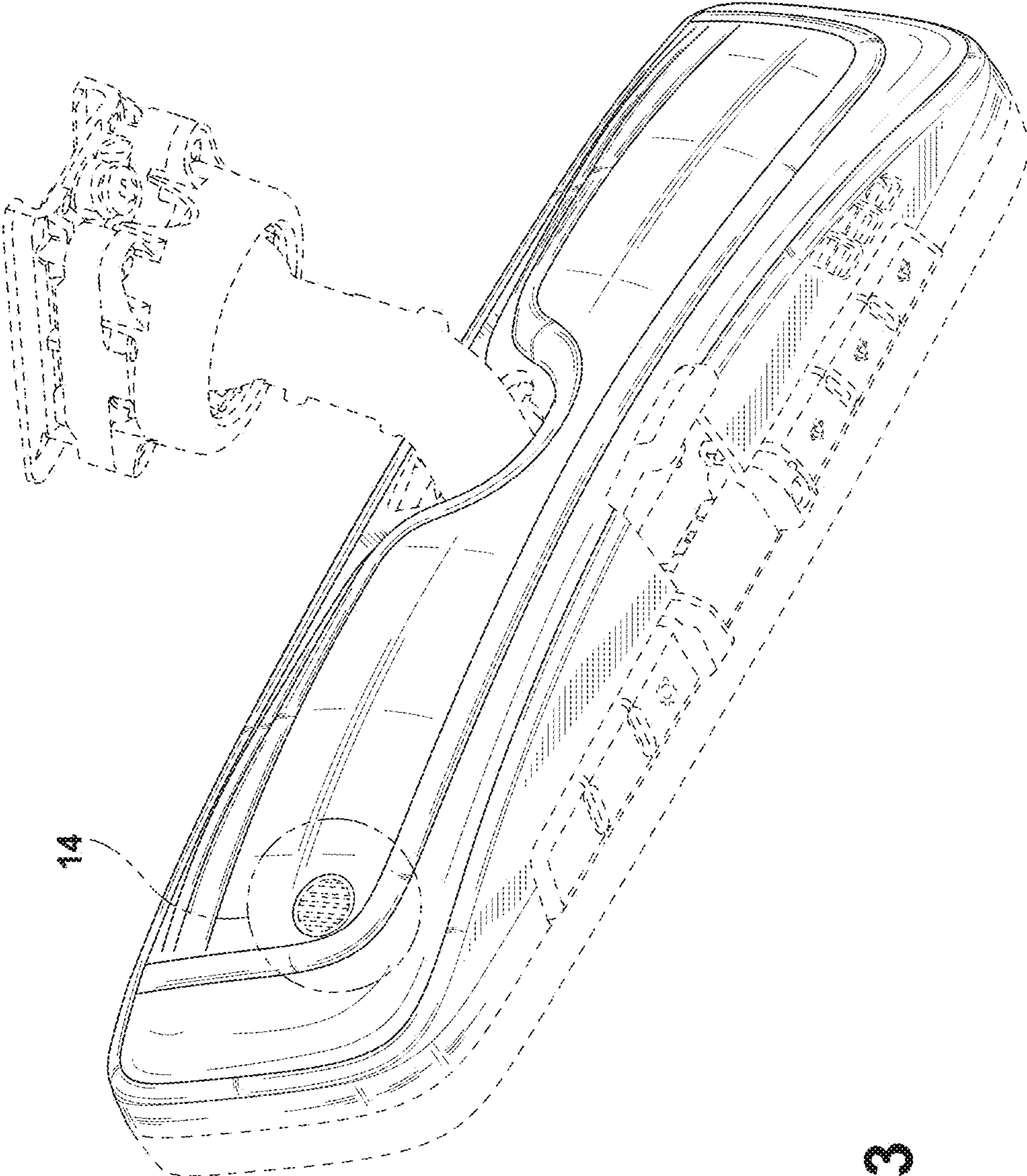


FIG. 13

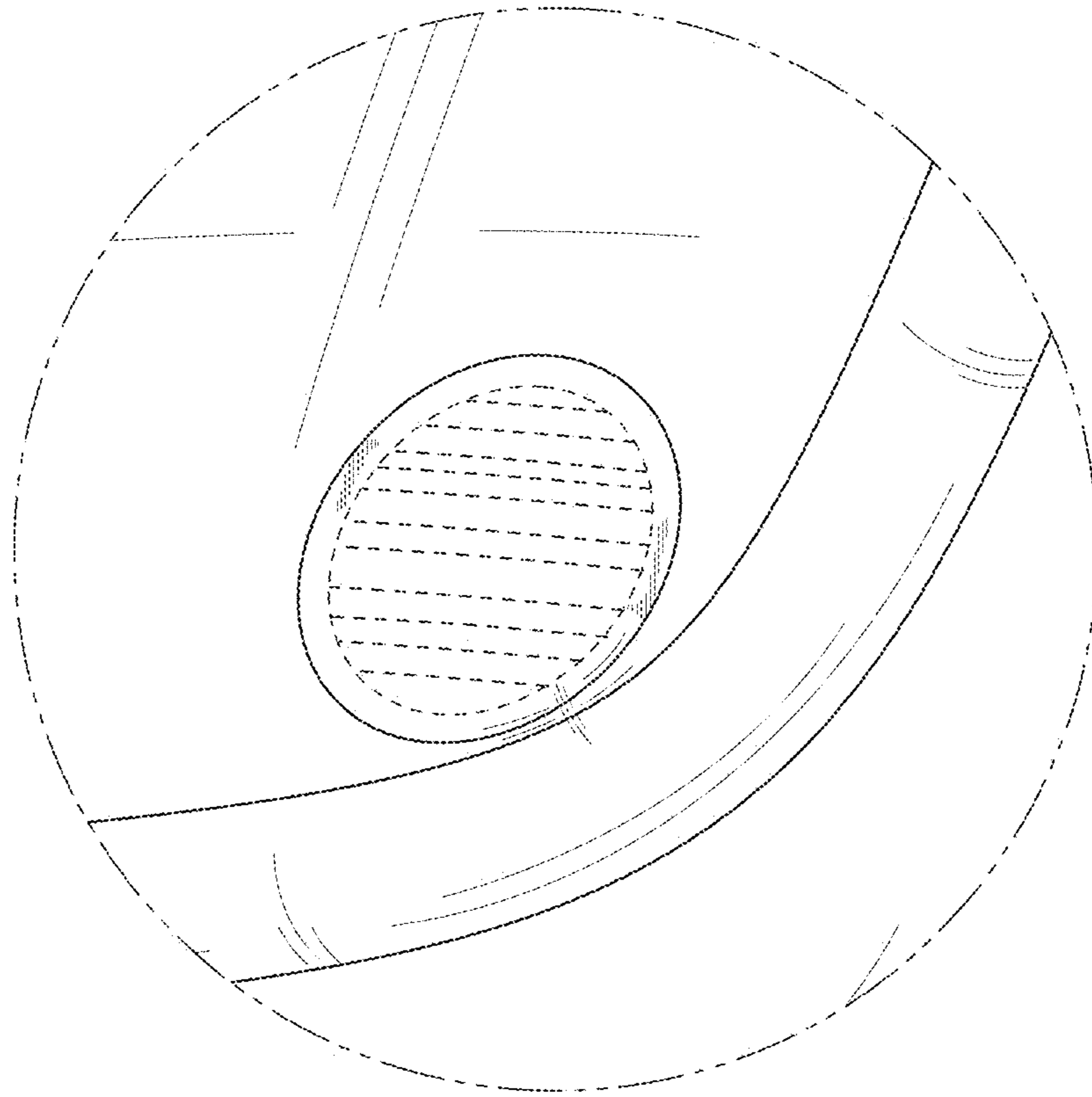


FIG. 14

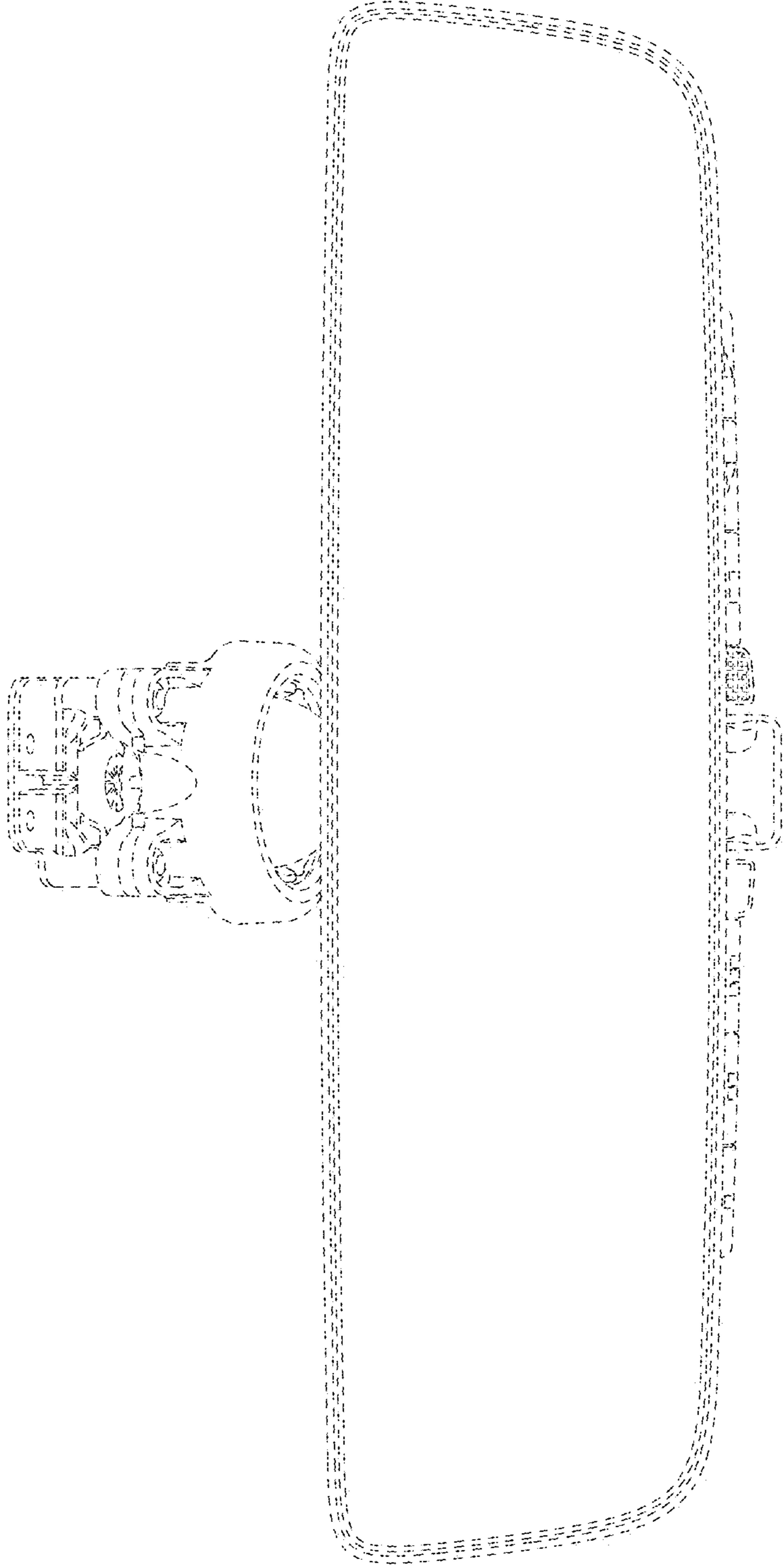


FIG. 15

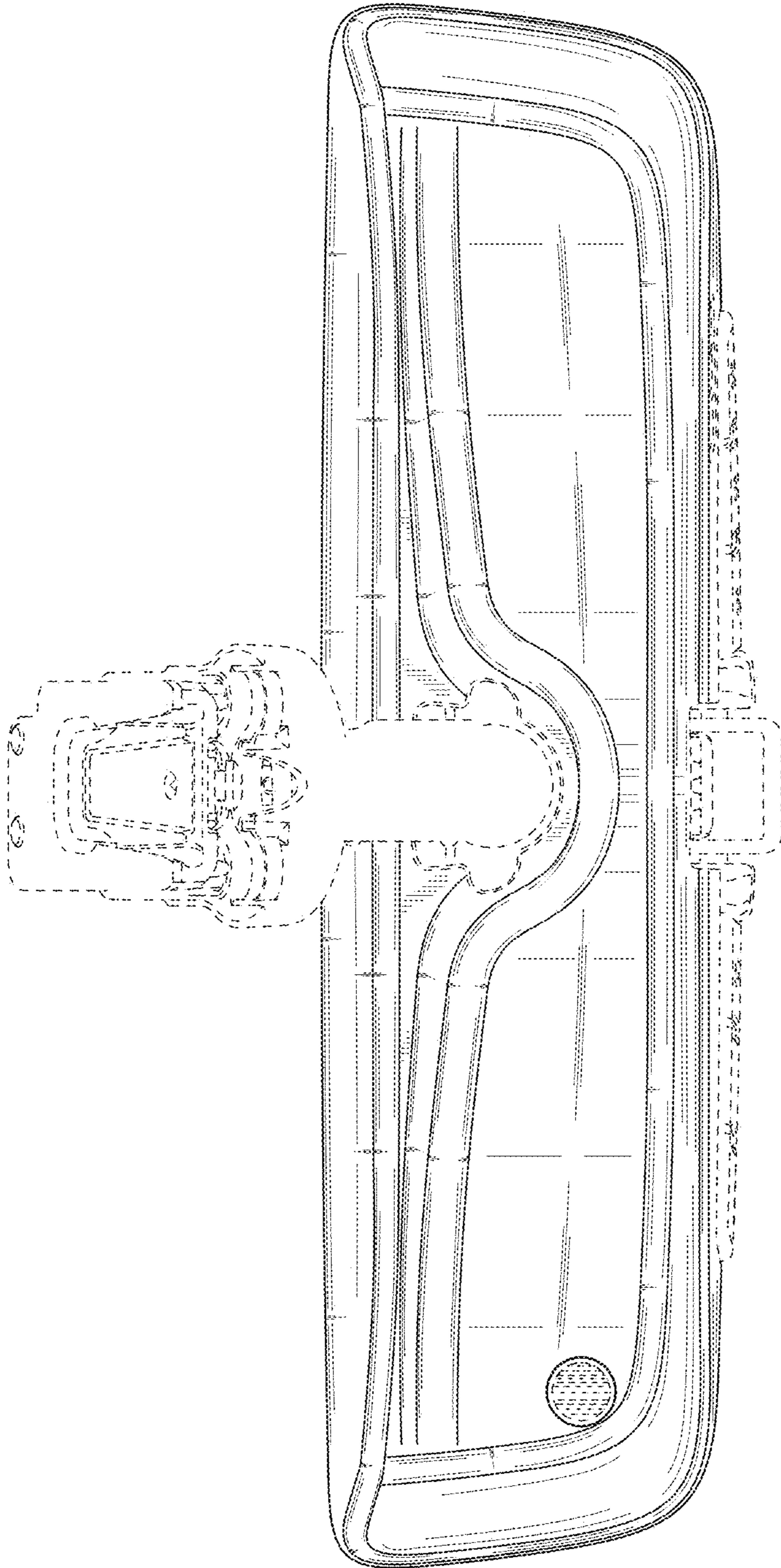


FIG. 16

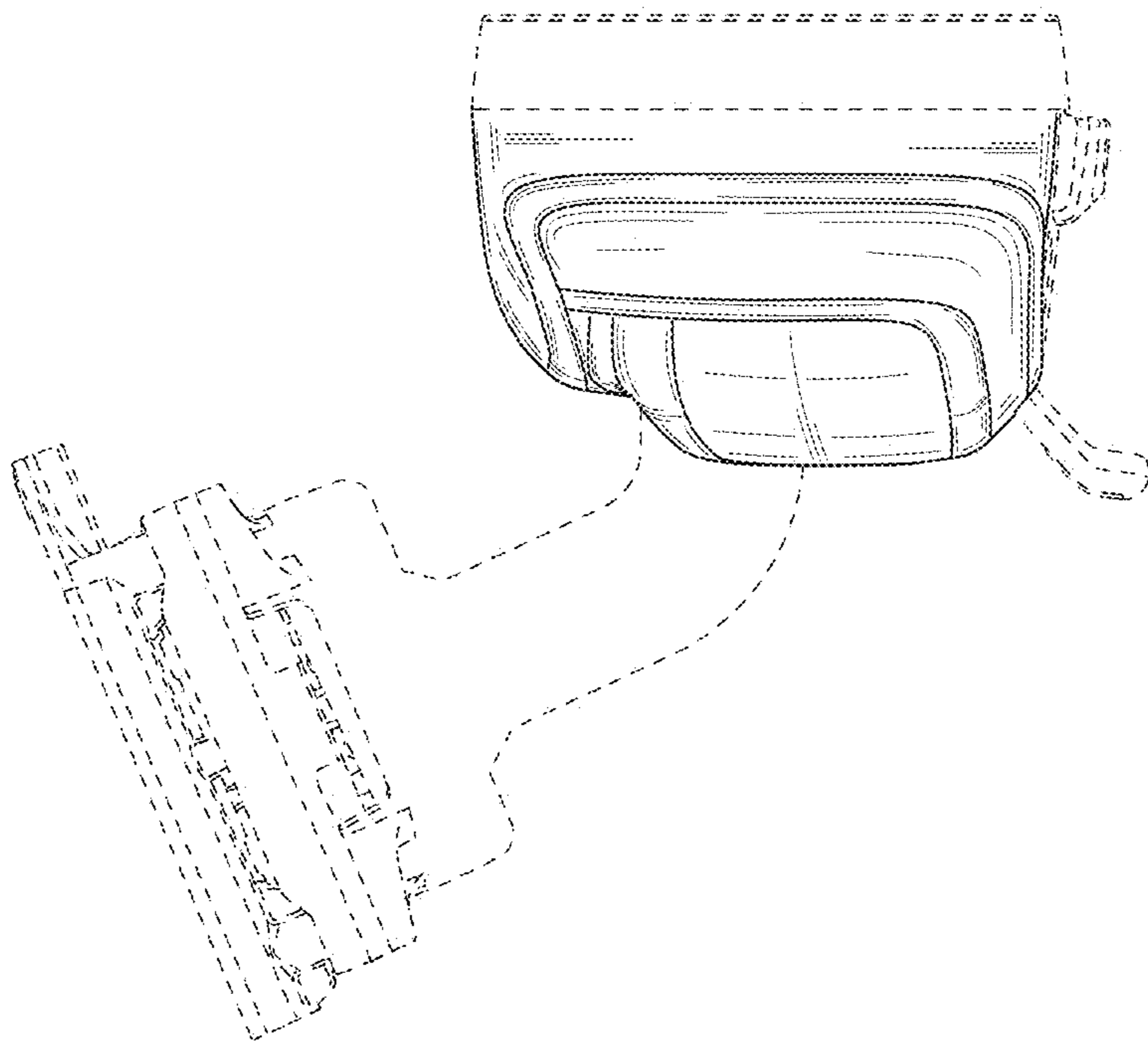


FIG. 17

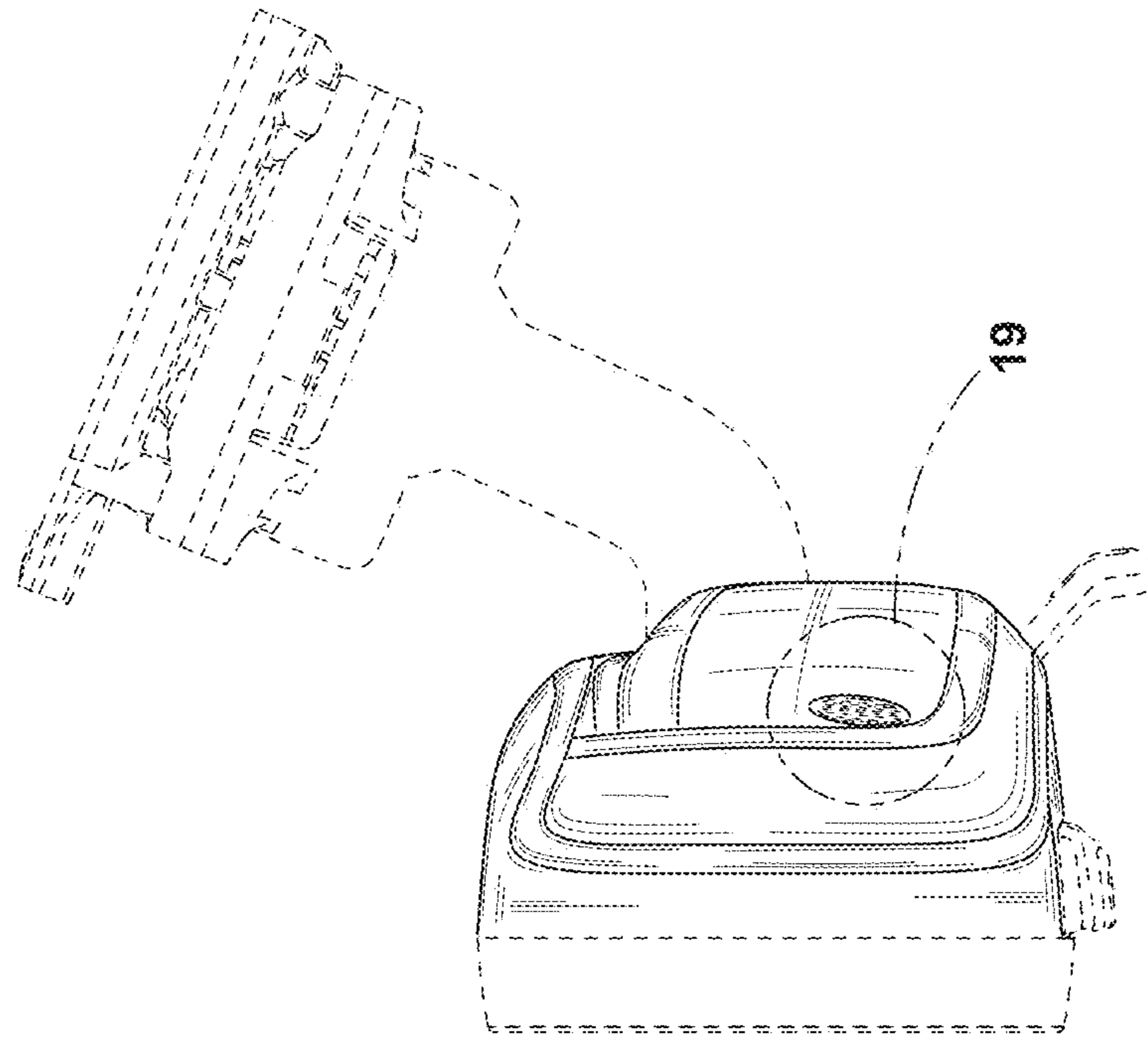


FIG. 18

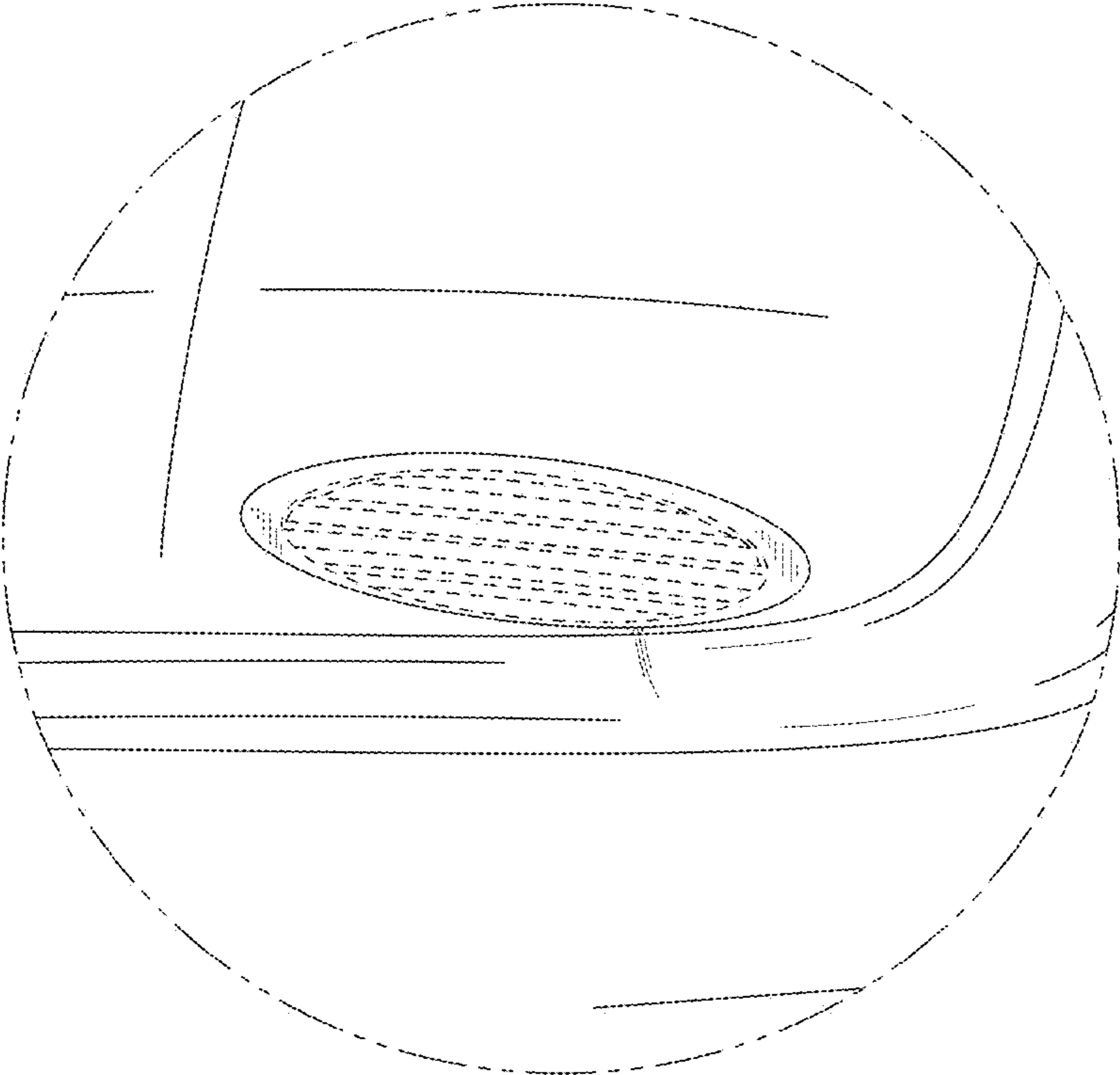


FIG. 19

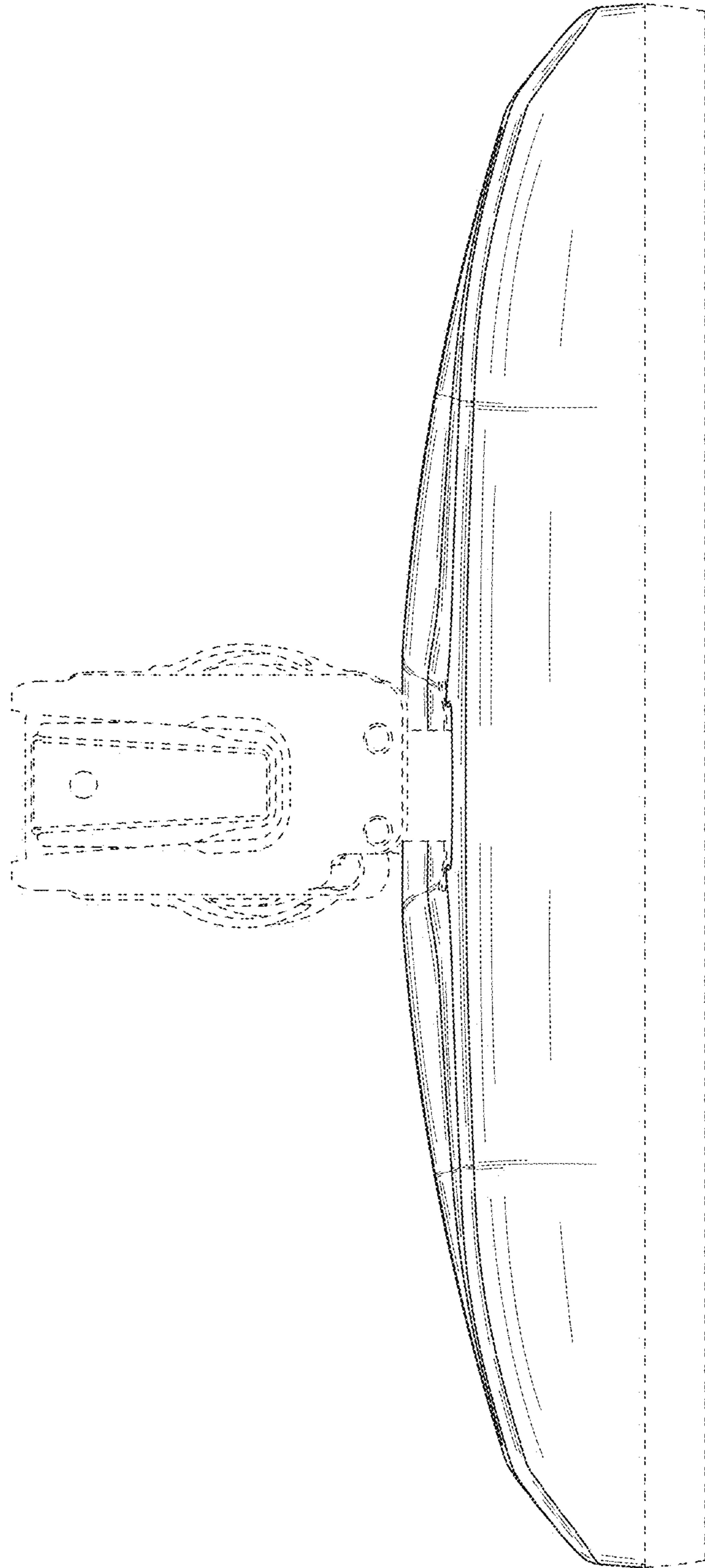


FIG. 20

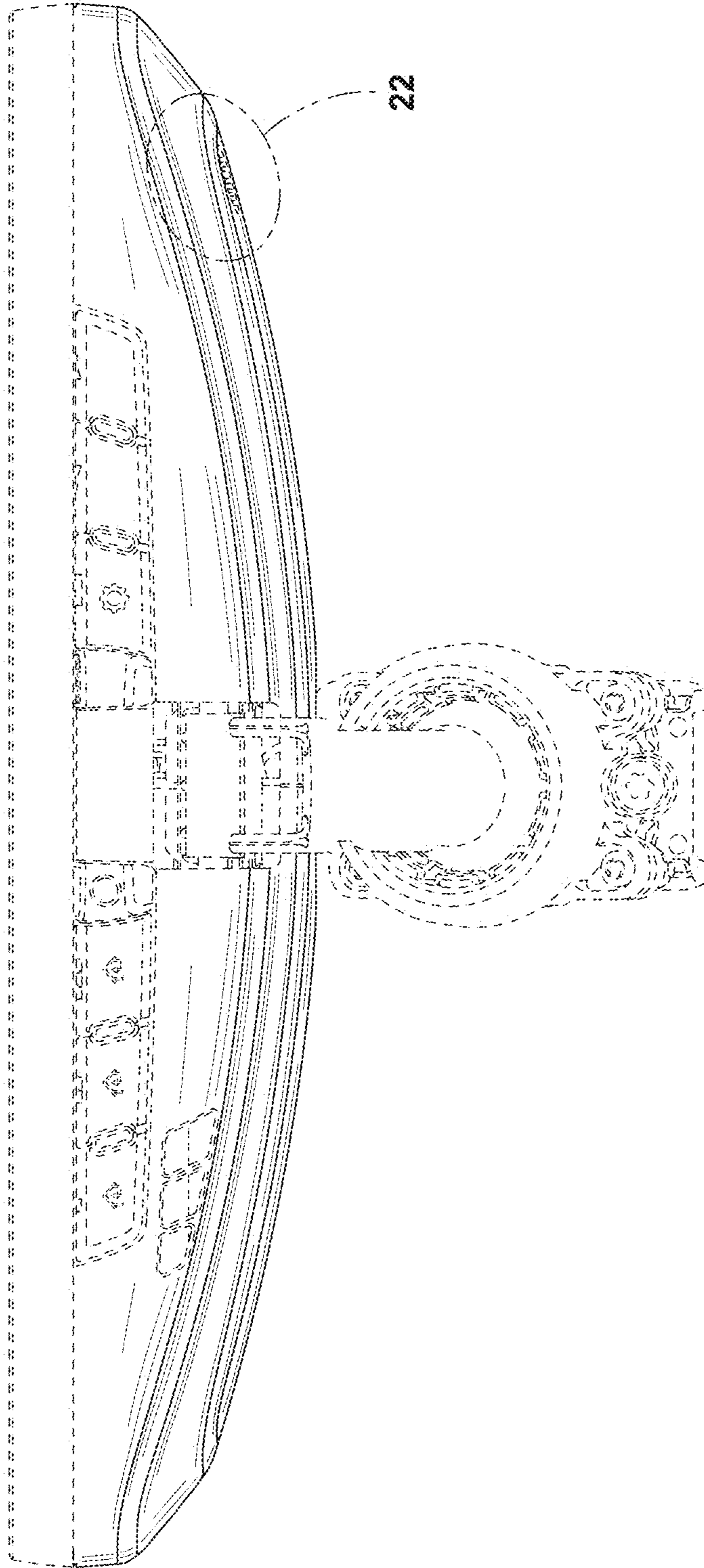


FIG. 21

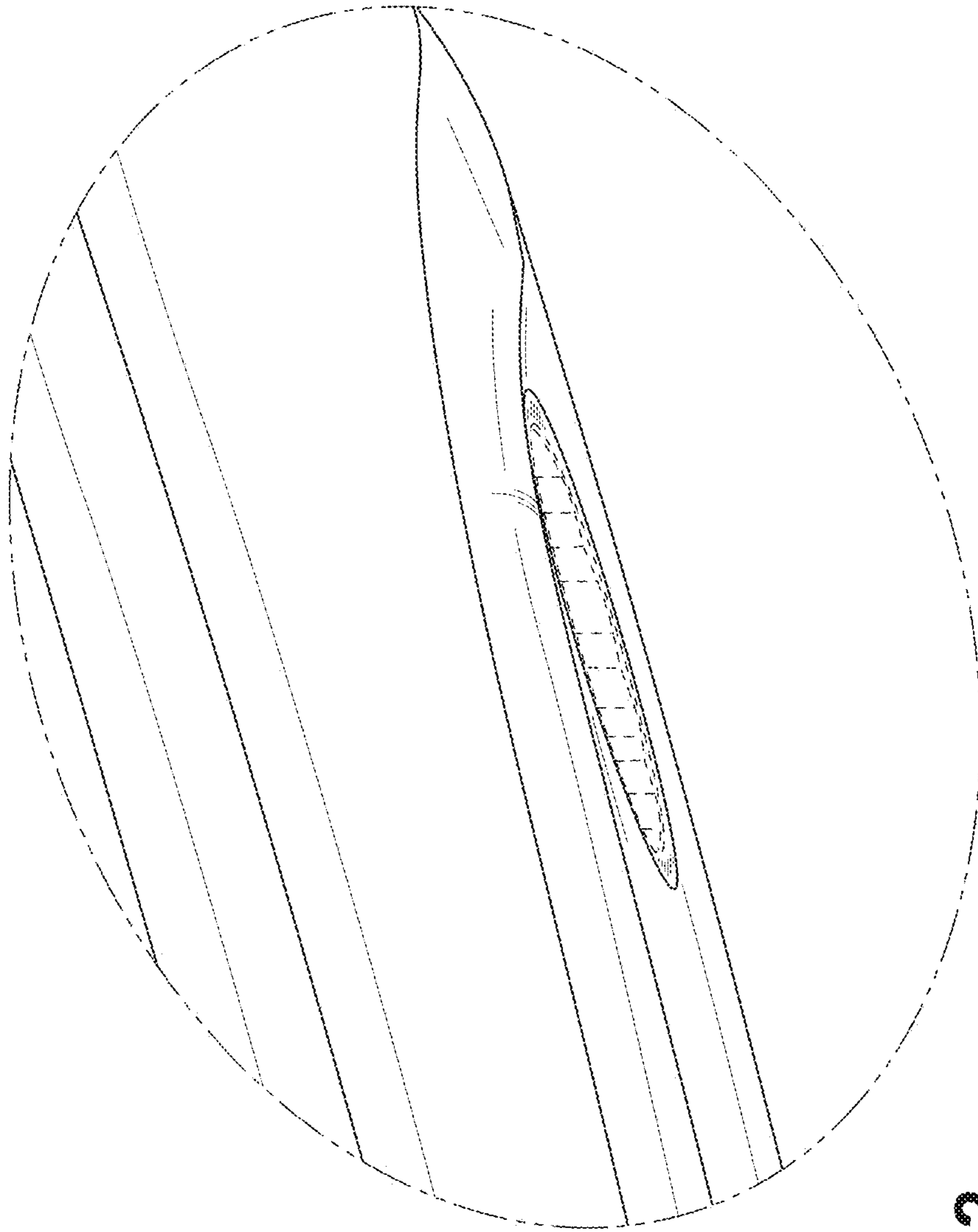


FIG. 22