



US00D881768S

(12) **United States Design Patent** (10) **Patent No.:** **US D881,768 S**
Gueler et al. (45) **Date of Patent:** **** *Apr. 21, 2020**

- (54) **VEHICLE MIRROR** 7,490,945 B2 * 2/2009 Proctor B60R 1/074
248/478
- (71) Applicant: **Ford Global Technologies, LLC,** D597,460 S 8/2009 George
Dearborn, MI (US) D606,470 S * 12/2009 Mattin D12/187
D619,946 S 7/2010 Lamm
- (72) Inventors: **Murat Gueler,** Cologne (DE); **Thomas** D631,414 S * 1/2011 Hakamata D12/187
Morel, Dusseldorf (DE); **Jonathan** D642,504 S * 8/2011 Tonello D12/187
Szczupak, Troy, MI (US); **George** D663,662 S * 7/2012 Hamilton D12/187
Saridakis, Edinburgh (GB); **Joel** D691,531 S 10/2013 Rugar
Piaskowski, Dusseldorf (DE) D699,652 S * 2/2014 Futschik D12/187
D710,776 S * 8/2014 Hall D12/187
D718,689 S * 12/2014 Blanski D12/187
- (73) Assignee: **Ford Global Technologies, LLC,** D784,226 S * 4/2017 Cheng D12/187
Dearborn, MI (US) D792,824 S * 7/2017 Bucher D12/187
D798,208 S * 9/2017 Zavatski D12/187
- (*) Notice: This patent is subject to a terminal dis- D800,039 S * 10/2017 Bucher D12/187
claimer. D804,379 S * 12/2017 McMahan D12/187
D807,263 S * 1/2018 Piscitelli D12/187
9,937,862 B2 * 4/2018 Sawada B60R 1/076

(**) Term: **15 Years**

(21) Appl. No.: **29/604,379**

(22) Filed: **May 17, 2017**

(30) **Foreign Application Priority Data**

Nov. 22, 2016 (DE) 40 2016 101 401

(51) **LOC (12) Cl.** **12-16**

(52) **U.S. Cl.**
USPC **D12/187**

(58) **Field of Classification Search**
USPC D12/187, 188, 189; D6/300, 309
CPC B60R 1/074; B60R 1/076; B60R 1/078;
B60R 1/08; B60R 1/081; B60R 1/082;
B60R 1/006; B60R 1/008; B60R 1/02;
B60R 1/10
See application file for complete search history.

(56) **References Cited**

U.S. PATENT DOCUMENTS

- D571,698 S * 6/2008 Imai D12/187
- D572,643 S * 7/2008 Imai D12/187

* cited by examiner

Primary Examiner — Susan E Krakower
Assistant Examiner — Jerry Shiuan-Hua Hsu

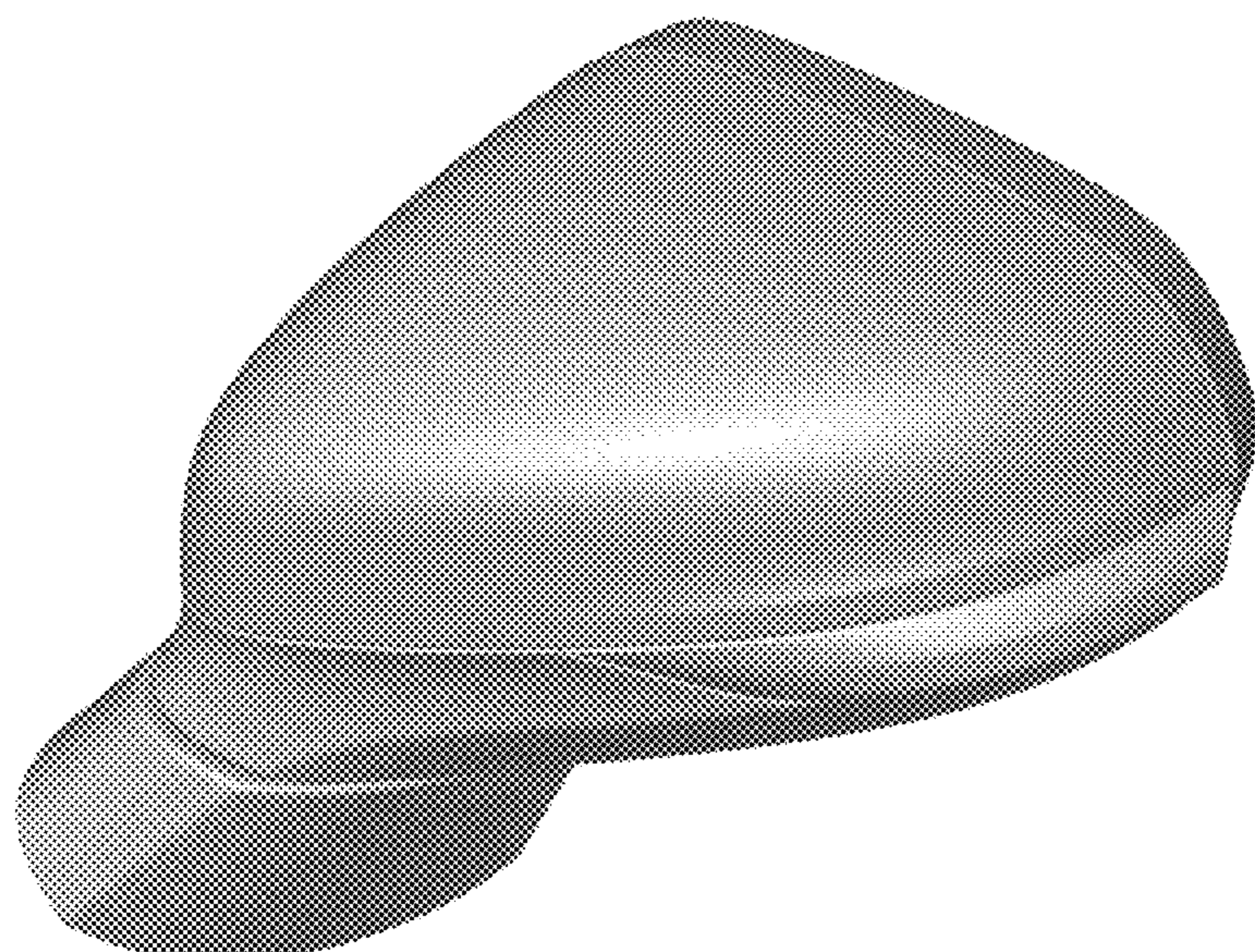
(57) **CLAIM**

The ornamental design for a vehicle mirror, as shown.

DESCRIPTION

FIG. 1 is a top and front perspective view a left vehicle mirror, showing our new design;
FIG. 2 is a bottom and front perspective view thereof;
FIG. 3 is a top and rear perspective view thereof;
FIG. 4 is a front elevational view thereof;
FIG. 5 is a rear elevational view thereof;
FIG. 6 is a left side elevational view thereof;
FIG. 7 is a right side elevational view thereof;
FIG. 8 is a top plan view thereof; and,
FIG. 9 is a bottom plan view thereof.

1 Claim, 9 Drawing Sheets



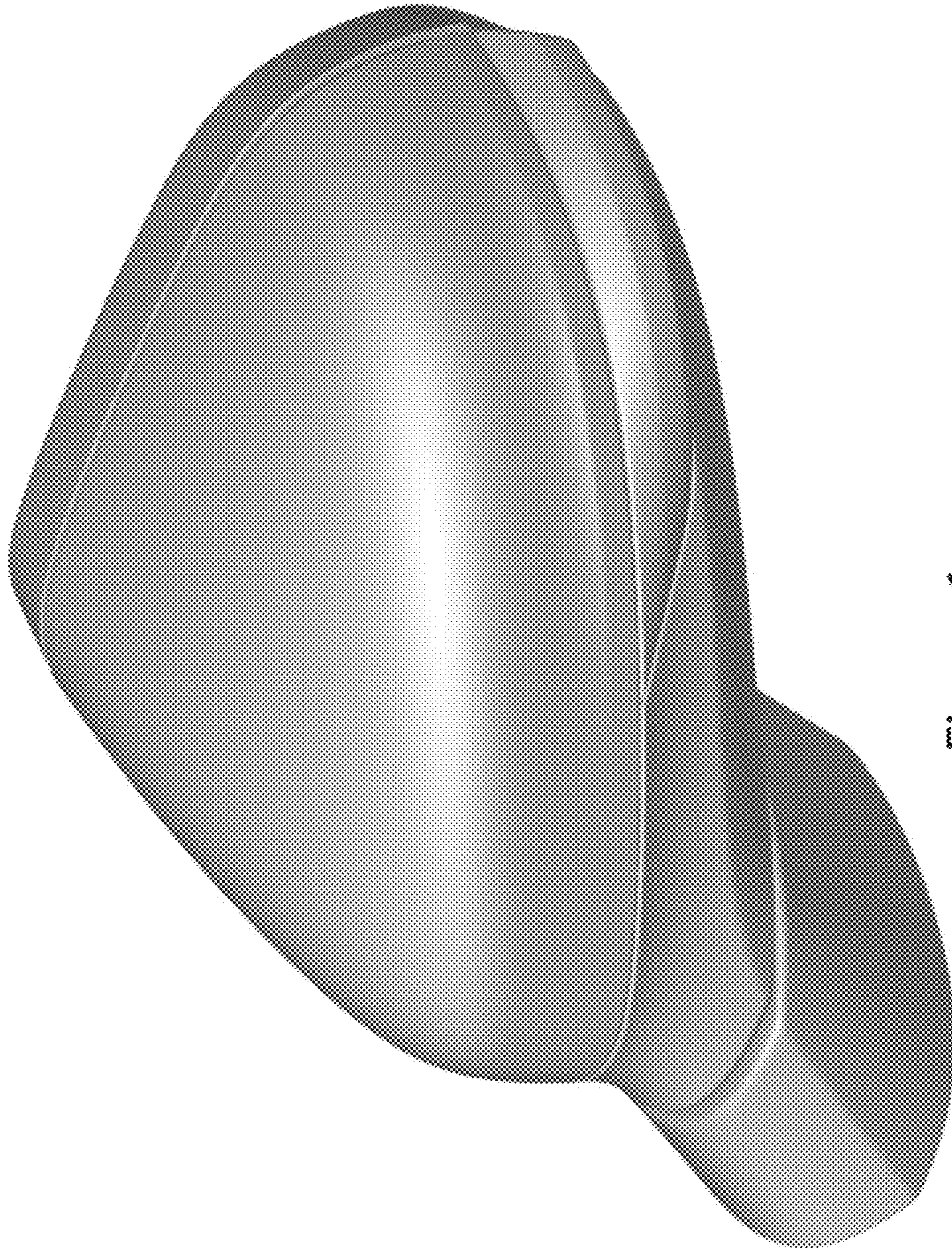


Figure 1

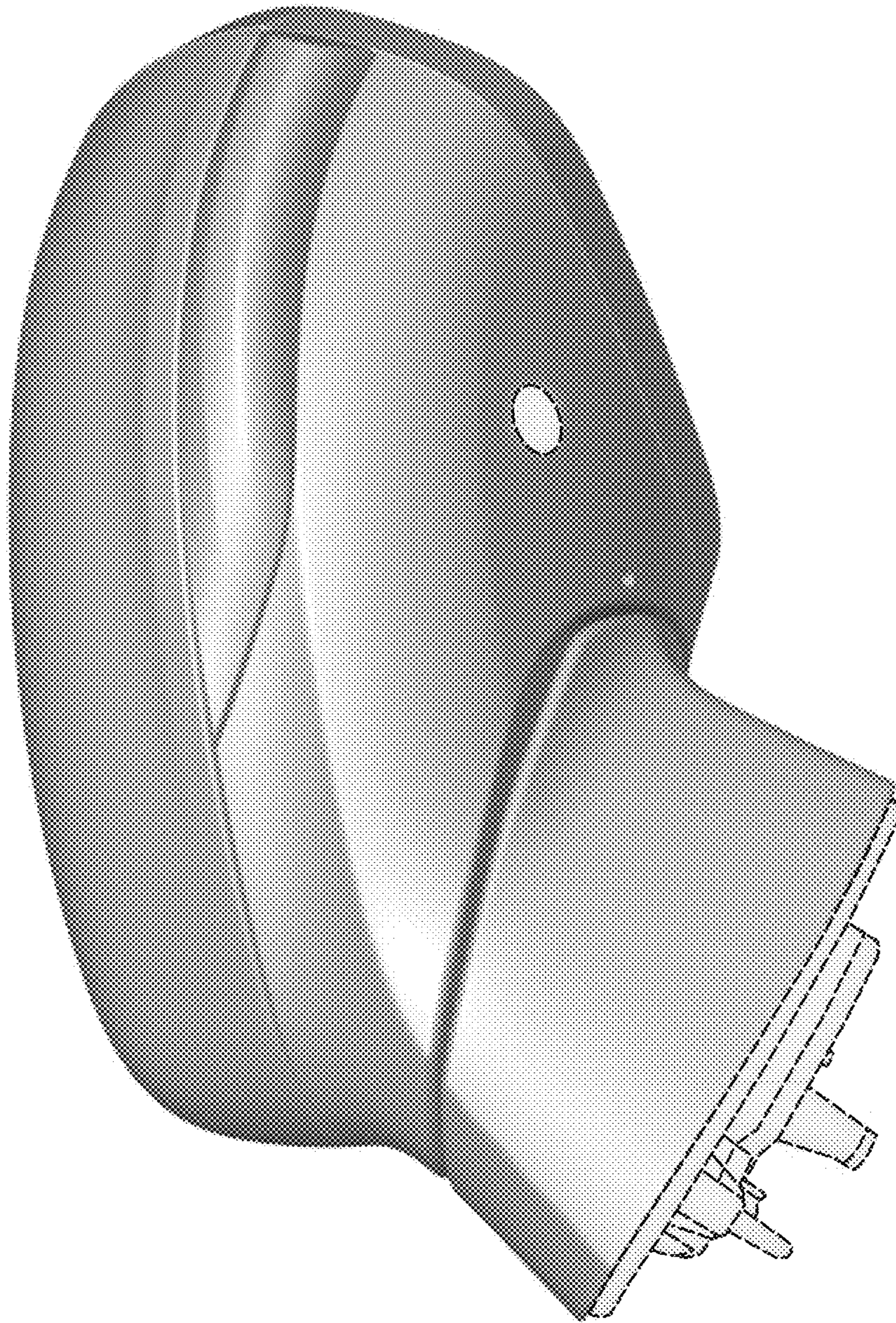


Figure 2

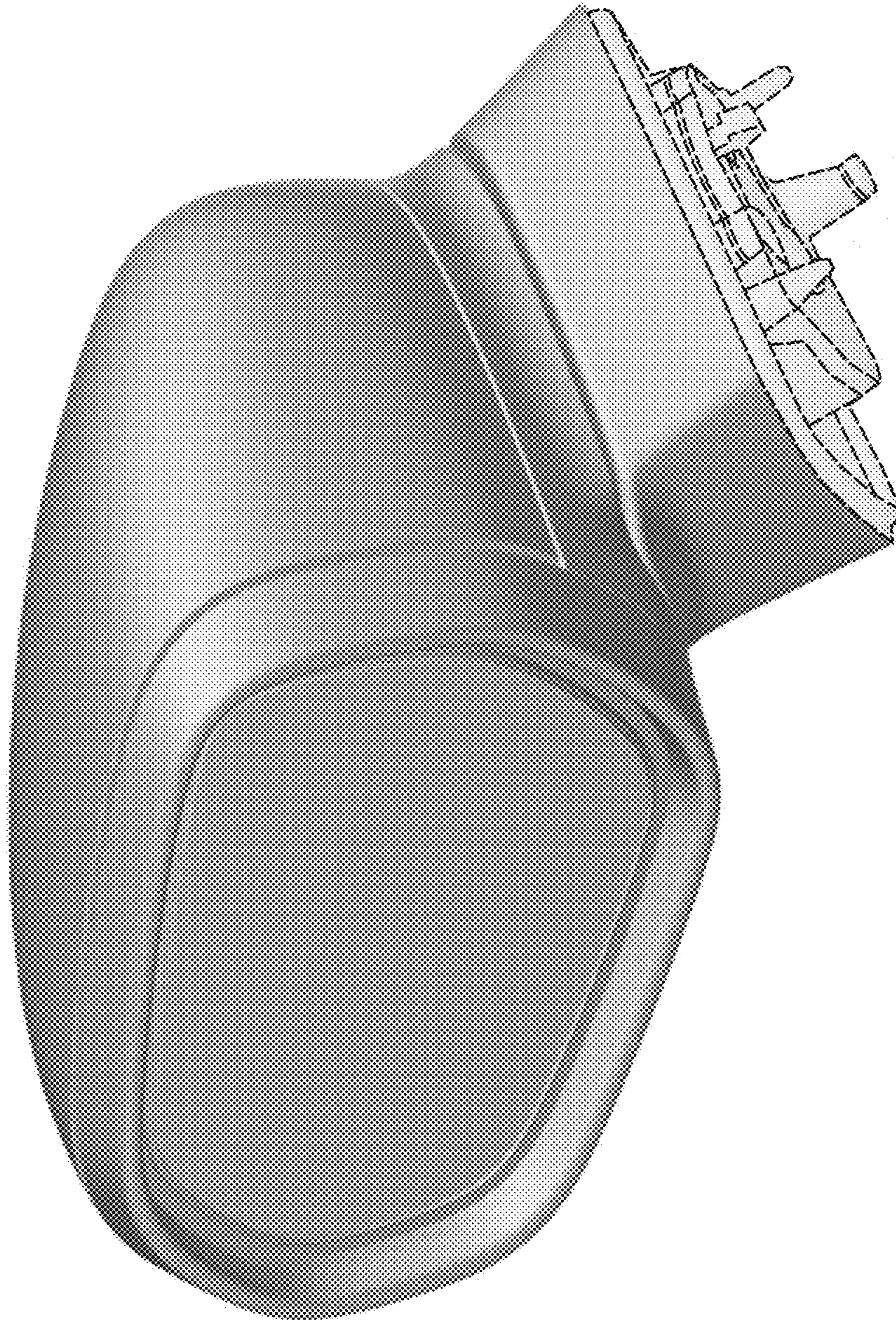


Figure 3

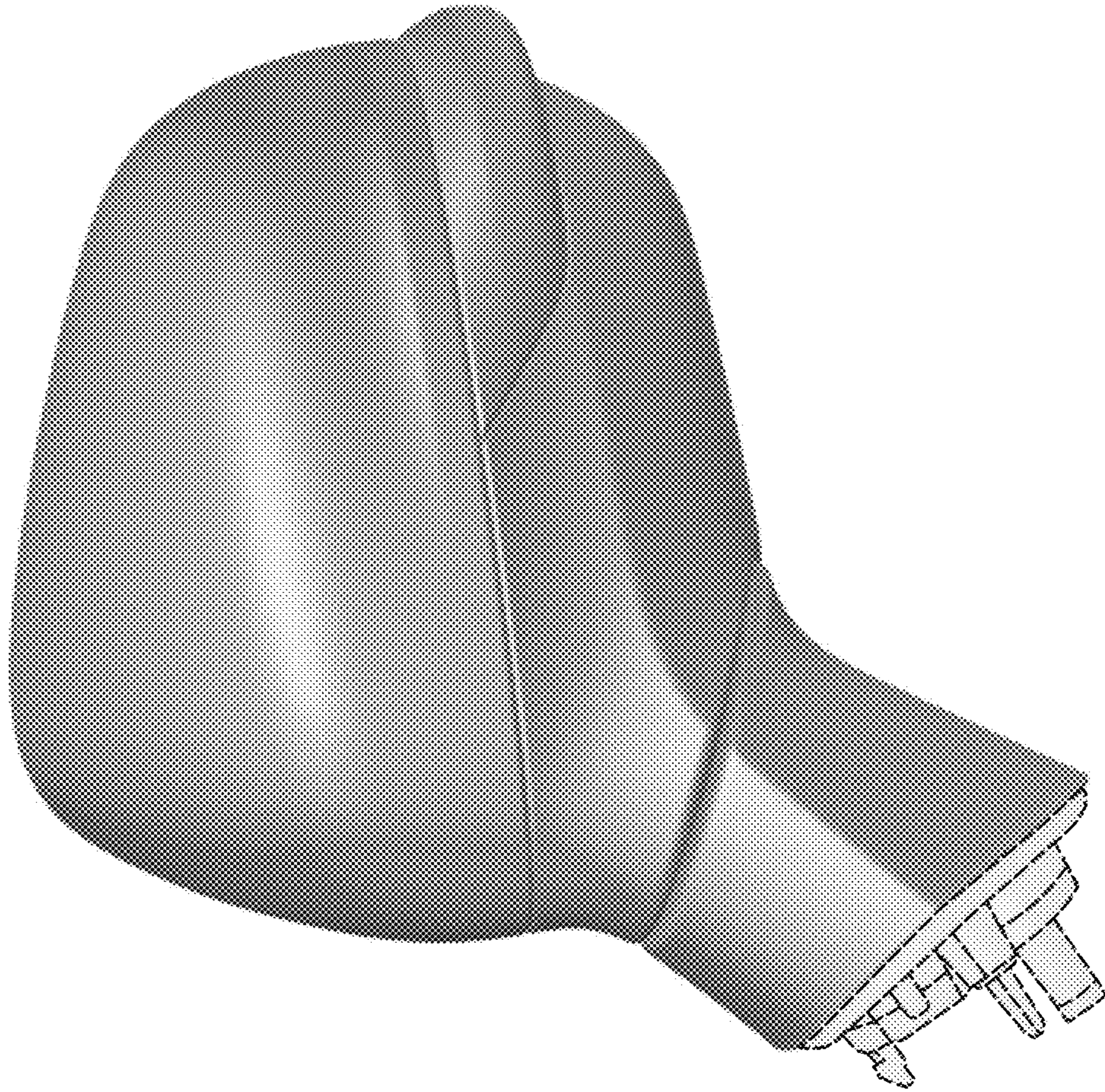


Figure 4

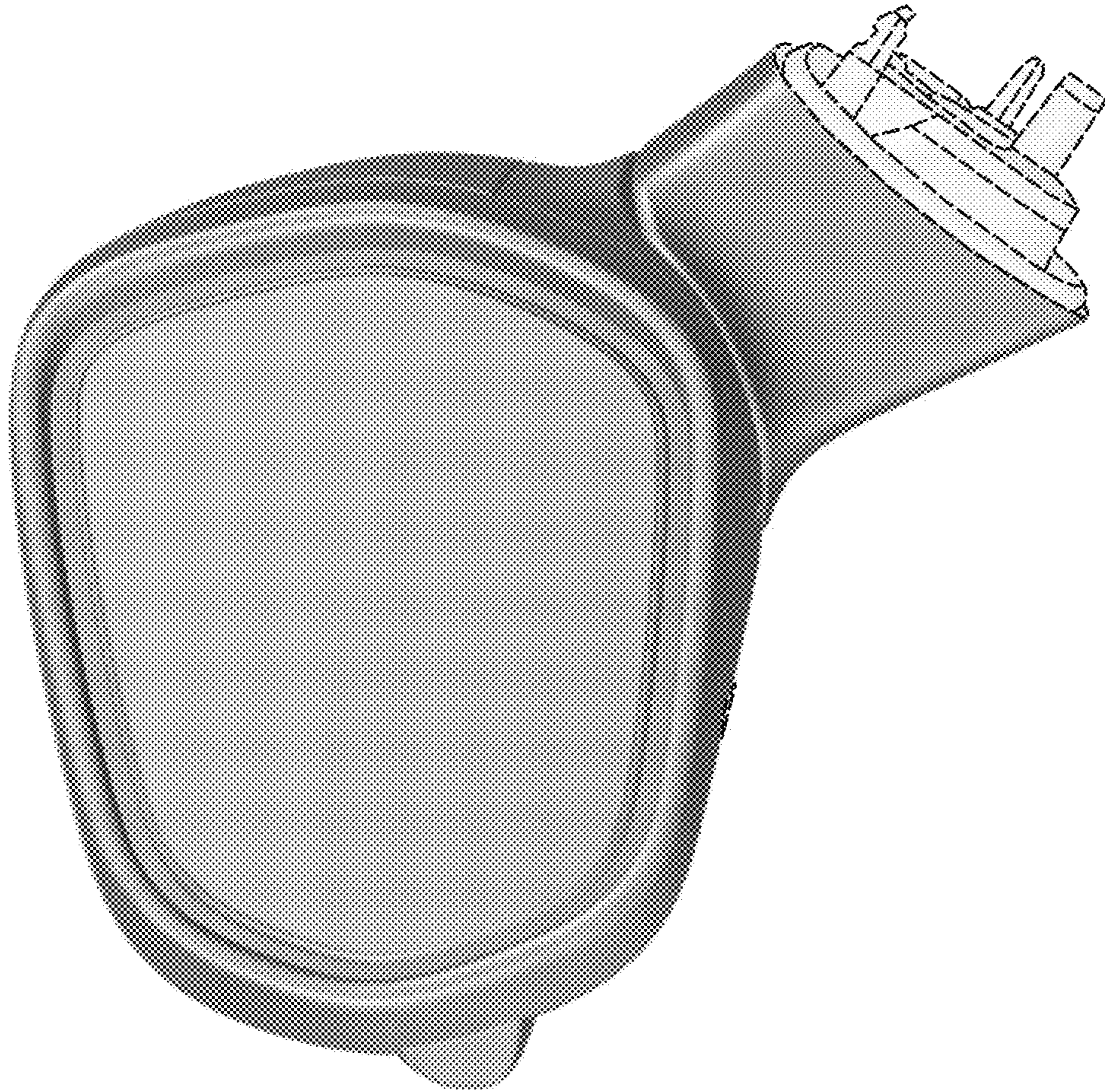


Figure 5

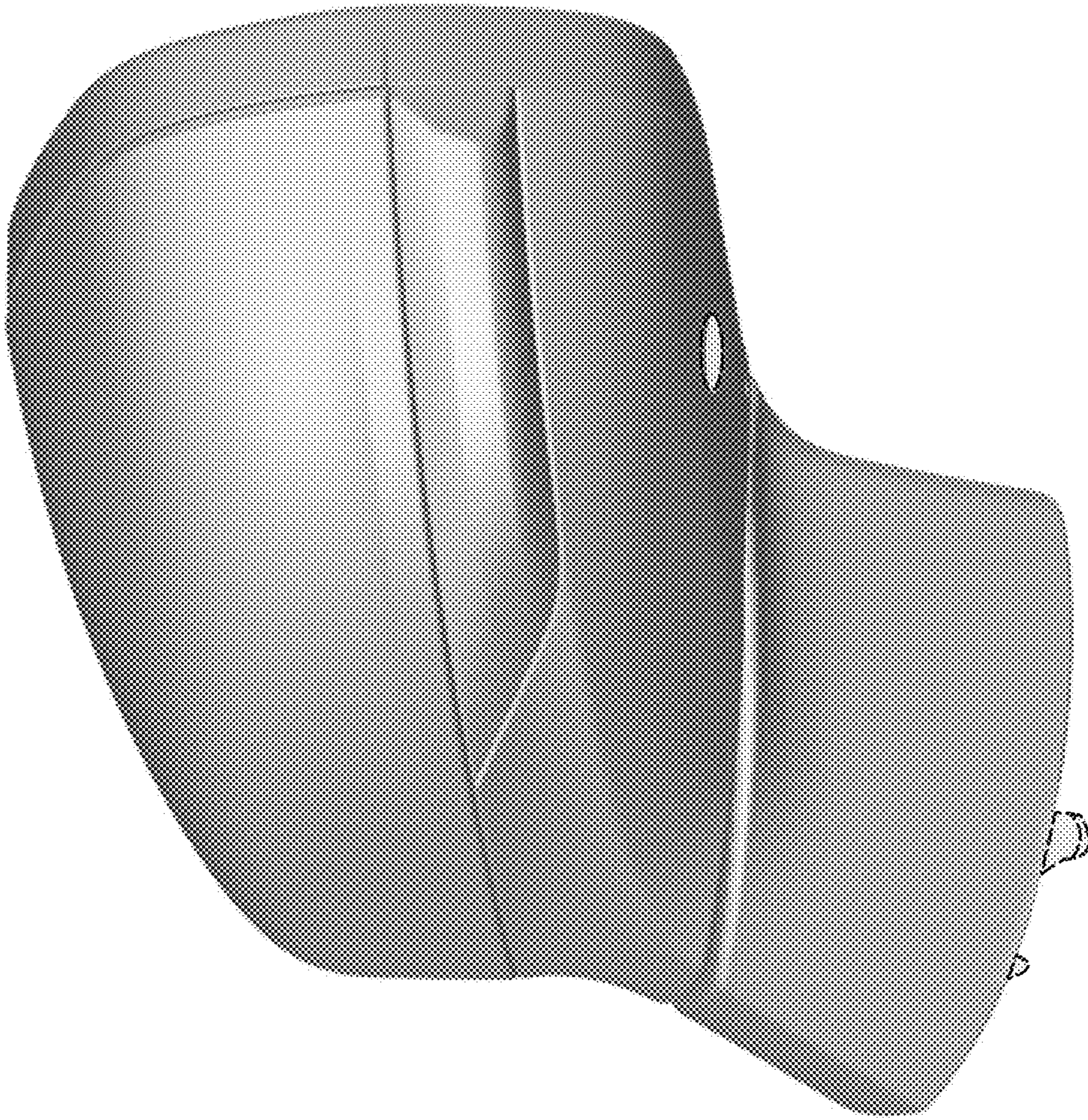


Figure 6

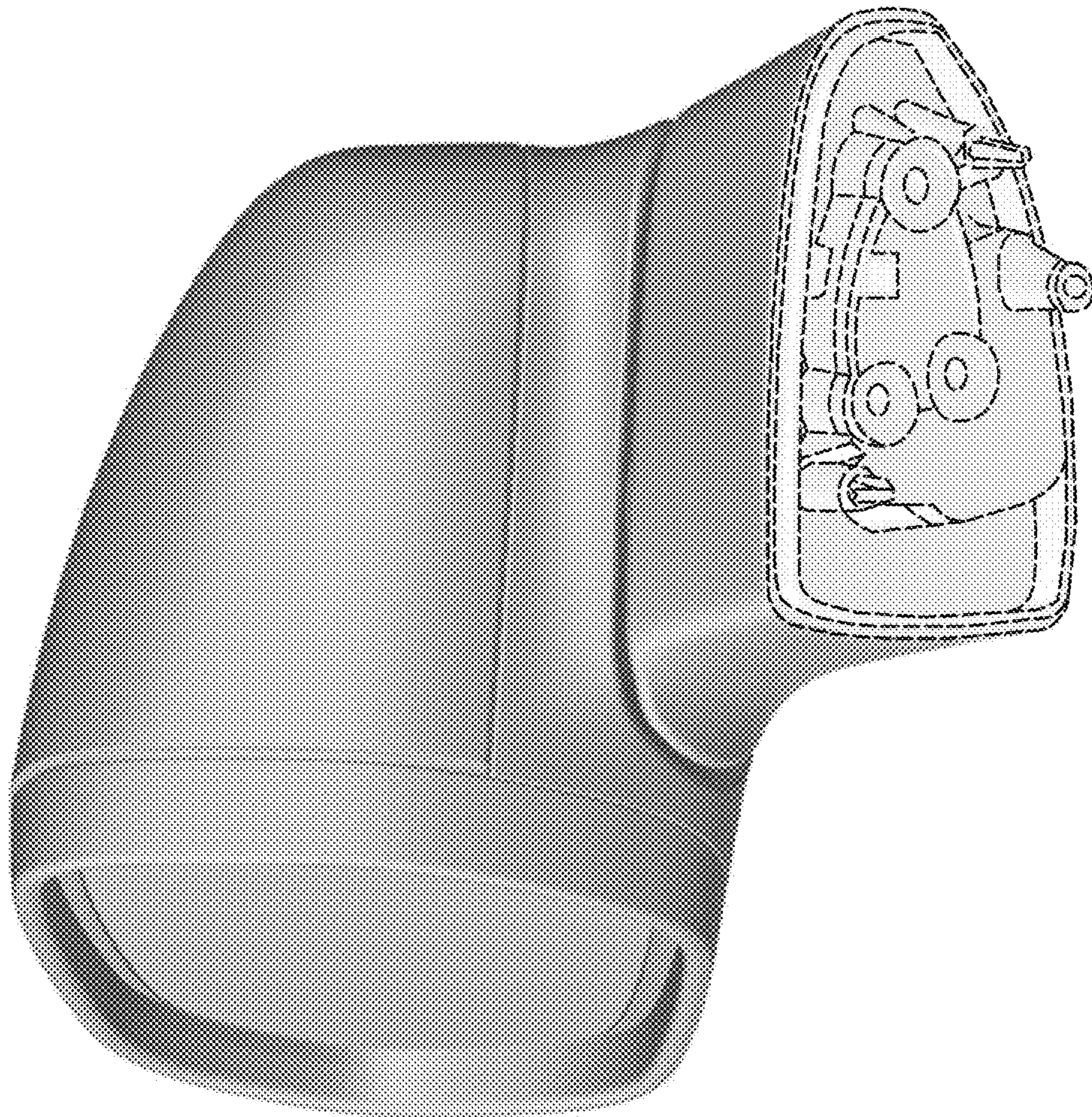


Figure 7

Figure 8

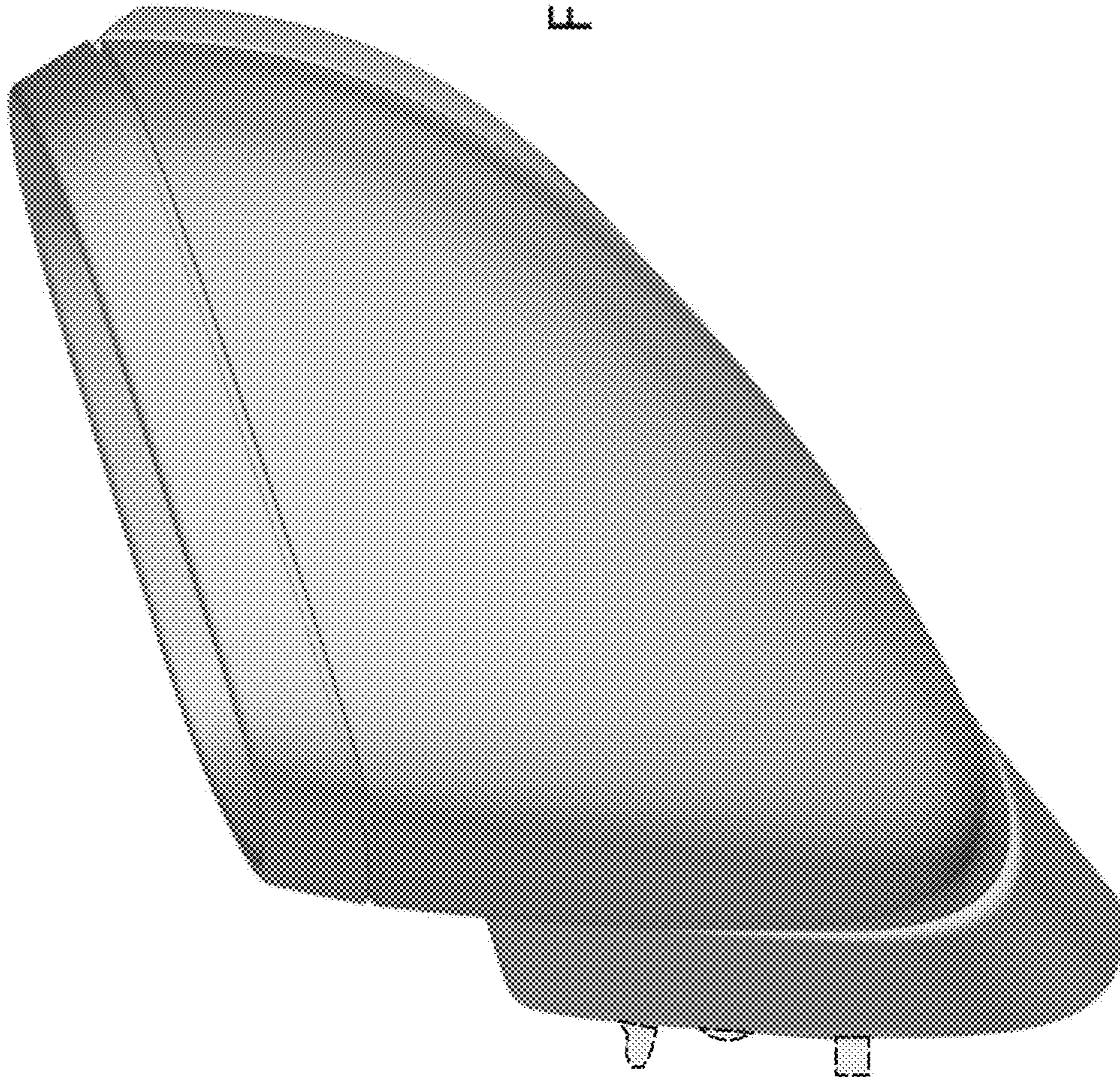


Figure 9

