



US00D881763S

(12) **United States Design Patent** (10) **Patent No.:** **US D881,763 S**  
**Zavala** (45) **Date of Patent:** **\*\* Apr. 21, 2020**

(54) **FRONT GRILLE FOR VEHICLES**  
(71) Applicant: **Westin Automotive Products, Inc.**,  
San Dimas, CA (US)  
(72) Inventor: **Paul Zavala**, Glendora, CA (US)  
(73) Assignee: **Westin Automotive Products, Inc.**,  
San Dimas, CA (US)

D776,582 S 1/2017 Bennett  
D782,375 S 3/2017 Ito  
D790,409 S \* 6/2017 Baste ..... D12/163  
D790,411 S \* 6/2017 Labanowicz ..... D12/163  
D800,036 S 10/2017 Bennett  
(Continued)

(\*\*) Term: **15 Years**

(21) Appl. No.: **29/625,084**

(22) Filed: **Nov. 7, 2017**

(51) **LOC (12) Cl.** ..... **12-16**

(52) **U.S. Cl.**  
USPC ..... **D12/163**

(58) **Field of Classification Search**  
USPC ..... D12/163, 164, 165, 166, 167, 168, 169,  
D12/170, 171, 172, 173, 181  
CPC ..... B60K 11/08; B62L 39/16; B60R 19/50;  
B62D 25/08

See application file for complete search history.

(56) **References Cited**

**U.S. PATENT DOCUMENTS**

D431,506 S	10/2000	Funfola	
6,328,358 B1 *	12/2001	Berweiler	..... B60R 19/52 180/68.6
D495,979 S *	9/2004	Metros	..... D12/163
D579,829 S *	11/2008	Hokao	..... D12/163
D598,334 S *	8/2009	Giachin	..... D12/163
D660,751 S *	5/2012	Matei	..... D12/163
D683,668 S *	6/2013	Thurber	..... D12/163
D703,111 S *	4/2014	Platto	..... D12/163
D716,195 S *	10/2014	Sperling	..... D12/163
D718,673 S *	12/2014	Thole	..... D12/163
D729,705 S *	5/2015	Gunnarson	..... D12/163
D754,572 S *	4/2016	McMahan	..... D12/163
D761,163 S *	7/2016	Sato	..... D12/164
9,475,433 B1 *	10/2016	Mallory, III	..... B60R 13/00
D775,013 S	12/2016	Bennett	

**OTHER PUBLICATIONS**

<https://www.dieselarmy.com/features/sema-coverage/sema-2017-westing-hdx-led-grille-best-new-exterior-product/> Nov. 2, 2017 (Year: 2017).

(Continued)

*Primary Examiner* — Susan Bennett Hattan  
*Assistant Examiner* — Suzanne E Tisdell

(74) *Attorney, Agent, or Firm* — The Dobrusin Law Firm, PC

(57) **CLAIM**

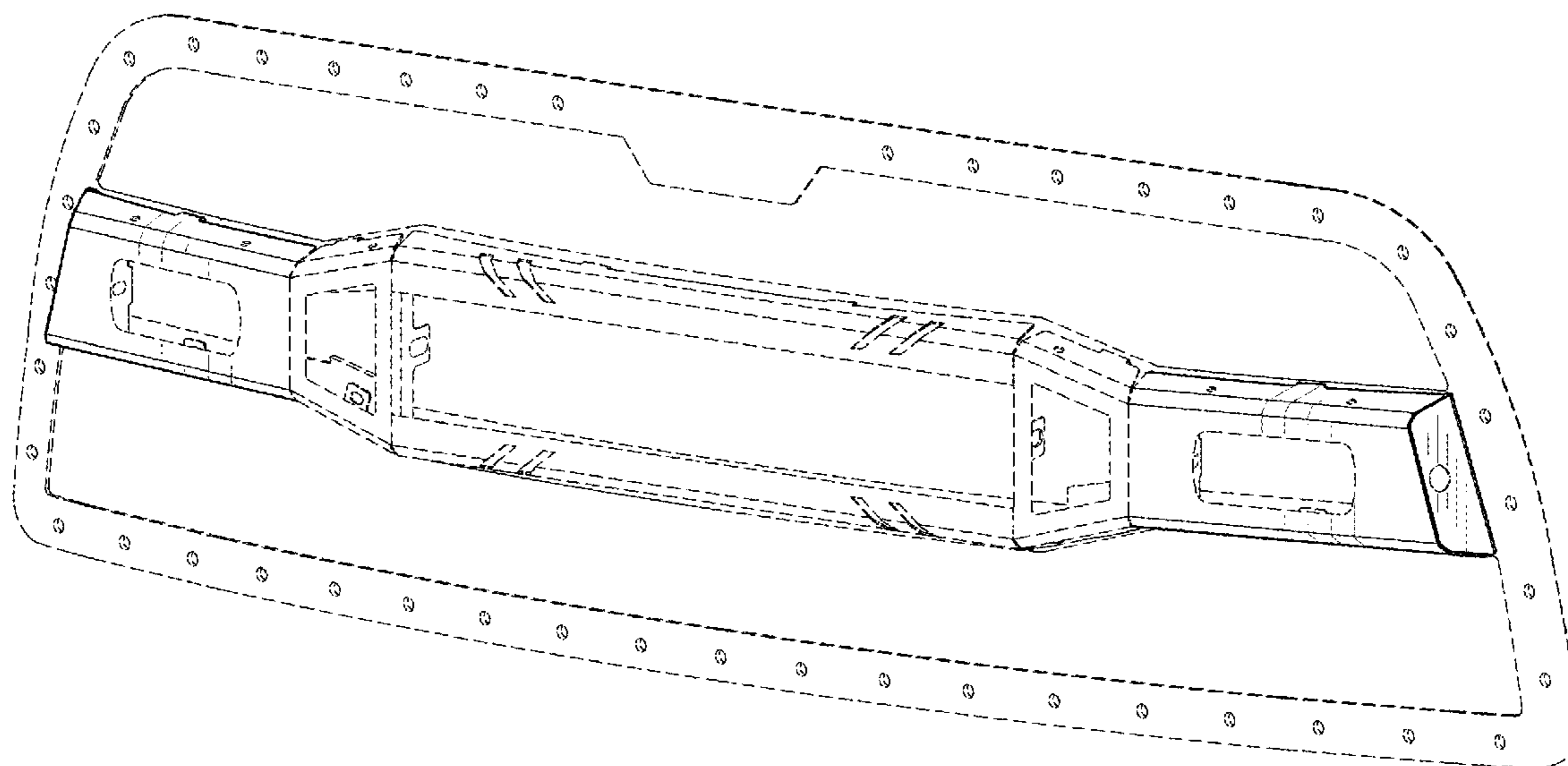
The ornamental design for a front grille for vehicles, as shown and described.

**DESCRIPTION**

FIG. 1 is a front perspective view of a front grille of the present invention;  
FIG. 2 is a rear perspective view of the front grille shown in FIG. 1;  
FIG. 3 is a front view of the front grille shown in FIG. 1;  
FIG. 4 is a rear view of the front grille shown in FIG. 1;  
FIG. 5 is a top view of the front grille shown in FIG. 1;  
FIG. 6 is a bottom view of the front grille shown in FIG. 1;  
FIG. 7 is a view of one side of the front grille shown in FIG. 1; and,  
FIG. 8 is a view of the opposite side of the front grille shown in FIG. 7.

The broken lines shown in the drawings are for the purpose of illustrating environmental structure and form no part of the claimed design.

**1 Claim, 6 Drawing Sheets**



(56)

**References Cited**

U.S. PATENT DOCUMENTS

2005/0006928 A1\* 1/2005 Diehl ..... B60R 19/52  
296/193.1  
2006/0119115 A1\* 6/2006 Filip ..... B60R 19/52  
293/115  
2006/0237995 A1\* 10/2006 Huttenlocher ..... B60R 13/005  
296/193.1  
2007/0199751 A1\* 8/2007 Bradley ..... B60K 11/085  
180/68.1  
2014/0291056 A1\* 10/2014 Takanaga ..... B60K 11/085  
180/274  
2017/0106741 A1\* 4/2017 Shaw ..... B60K 11/085  
2017/0137954 A1\* 5/2017 Hashimoto ..... B60K 11/08

OTHER PUBLICATIONS

<https://www.westinautomotive.com/hdx-led-grille> Sep. 20, 2017 (Year: 2017).

Copending U.S. Appl. No. 29/625,088, filed Nov. 7, 2017.

\* cited by examiner

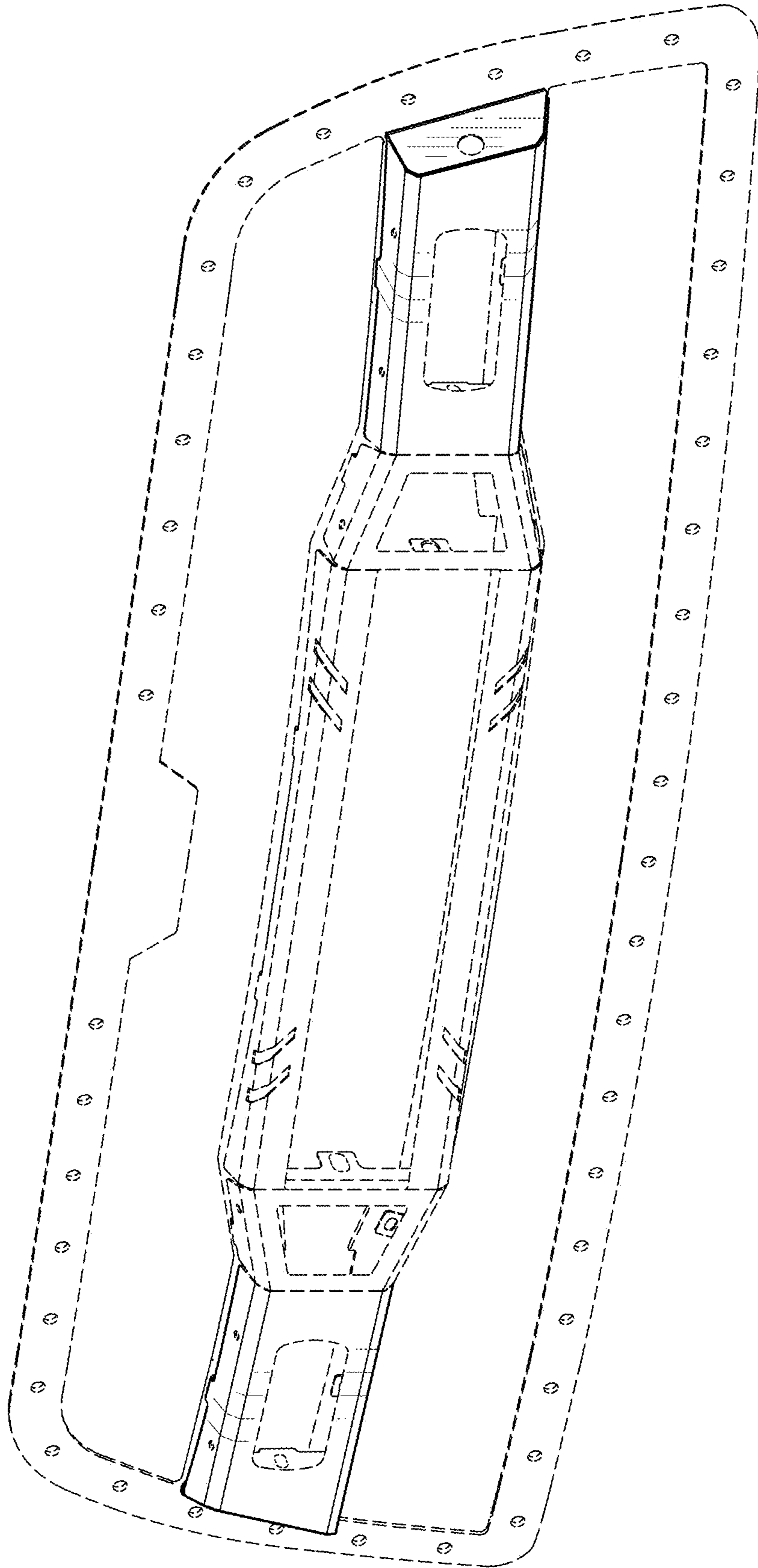


Fig-1

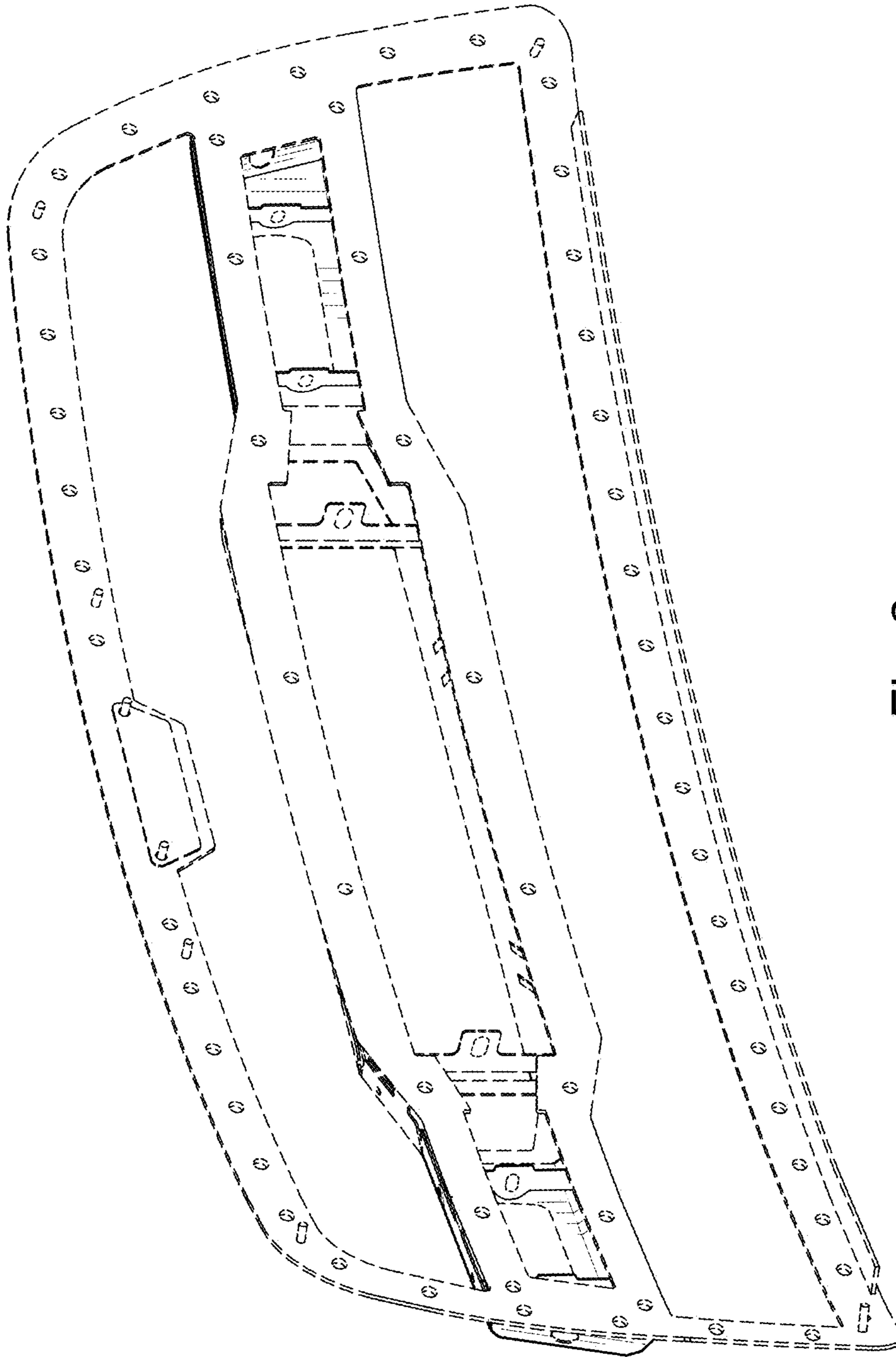


Fig-2

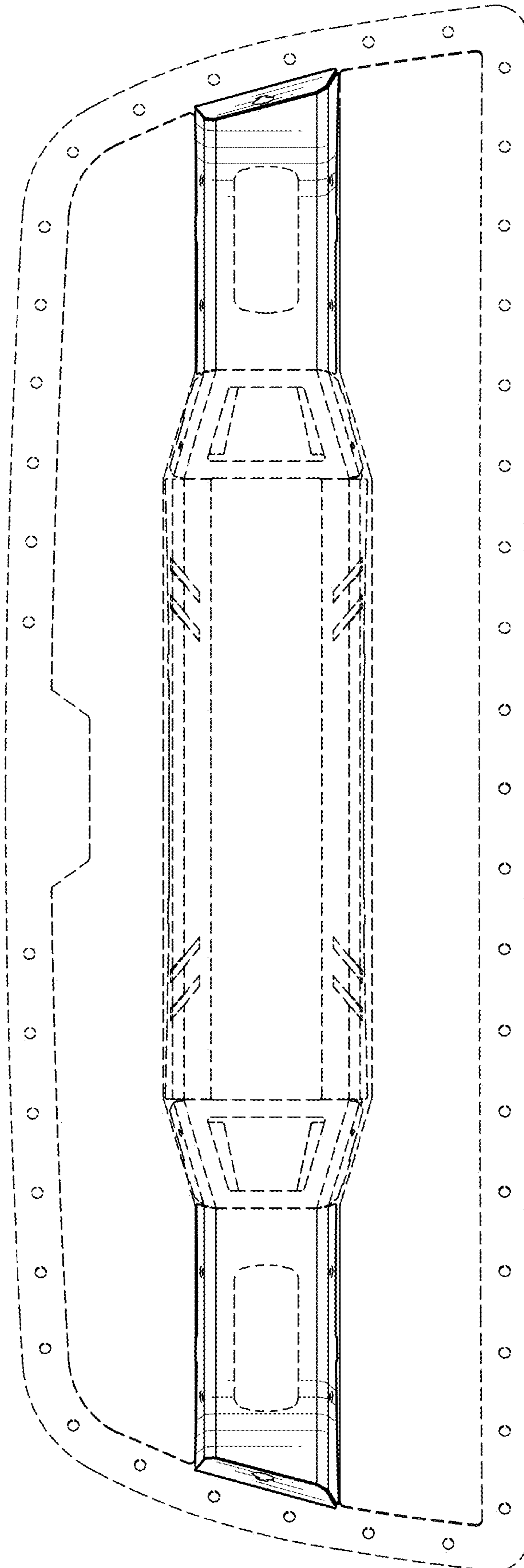


Fig-3

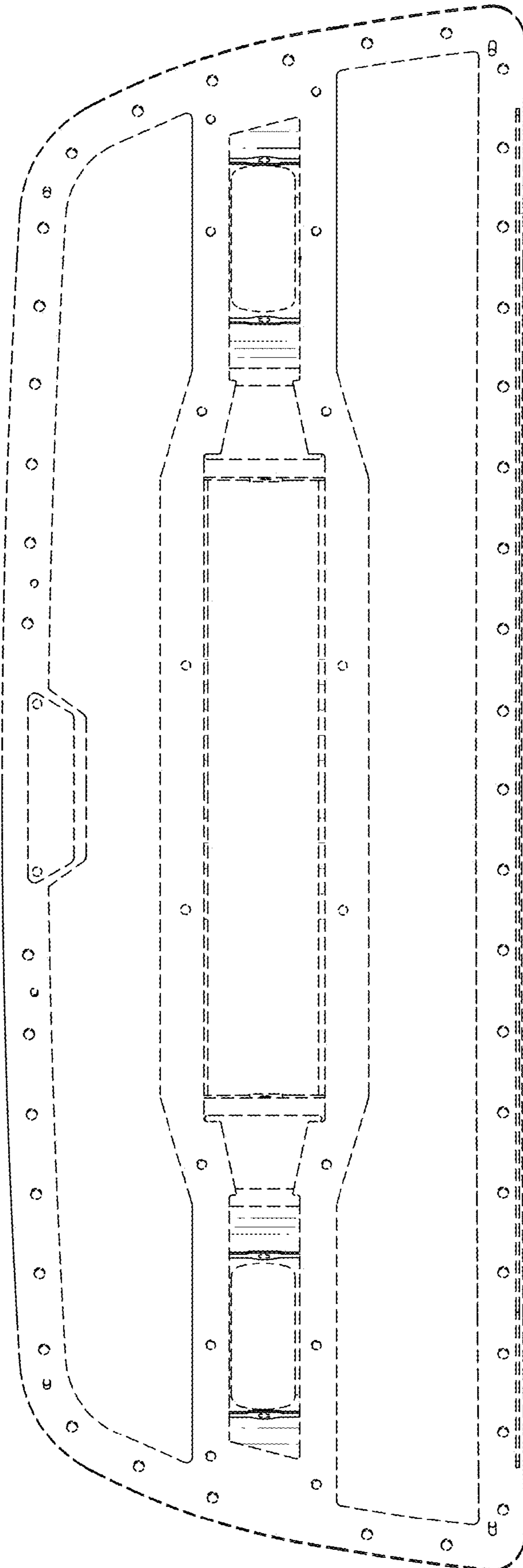


Fig-4

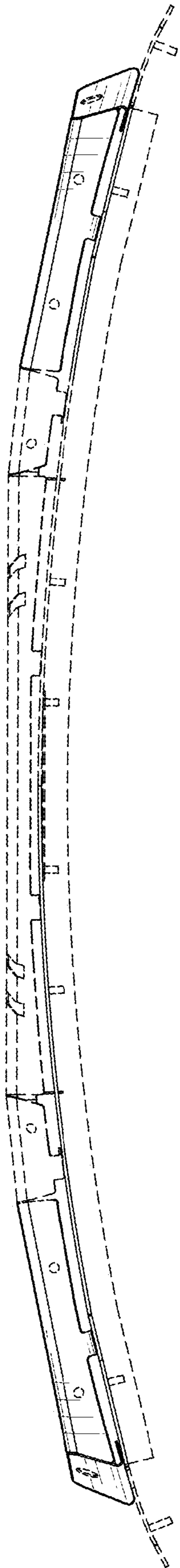


Fig-5

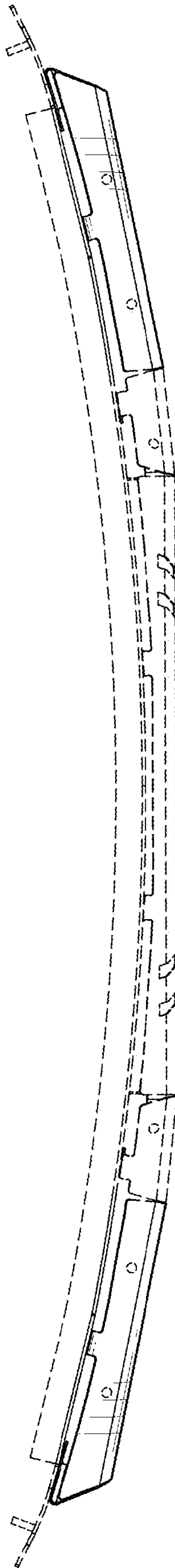


Fig-6

Fig-8

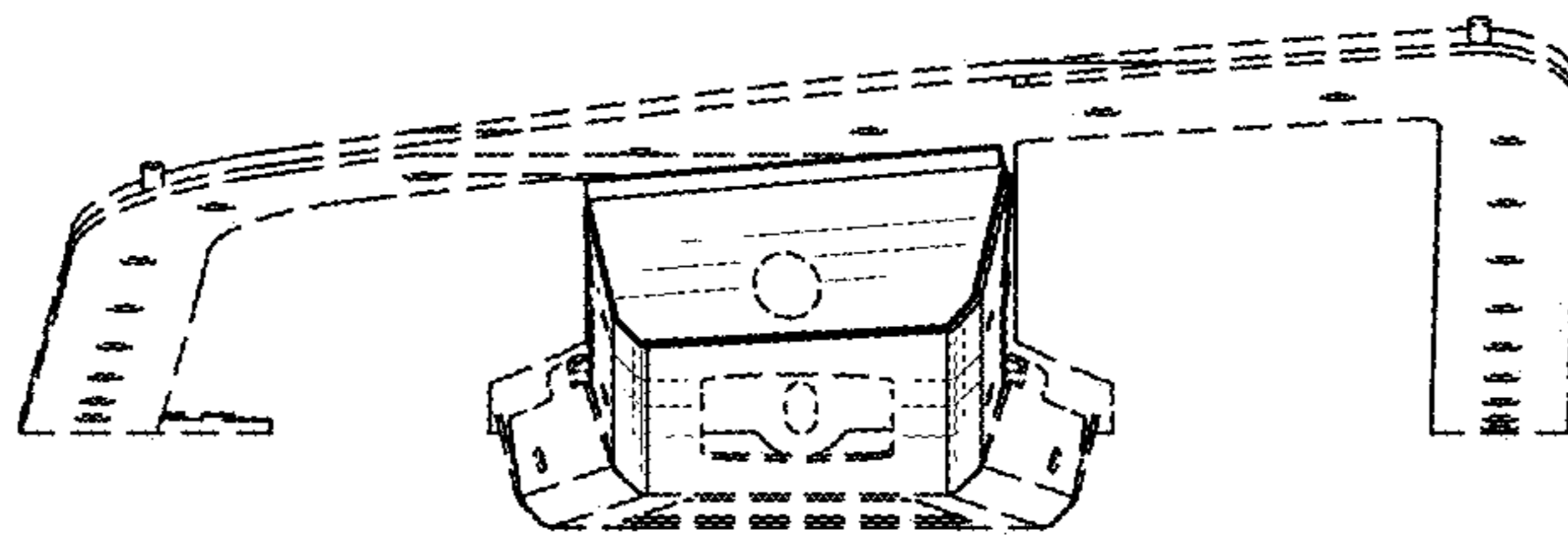
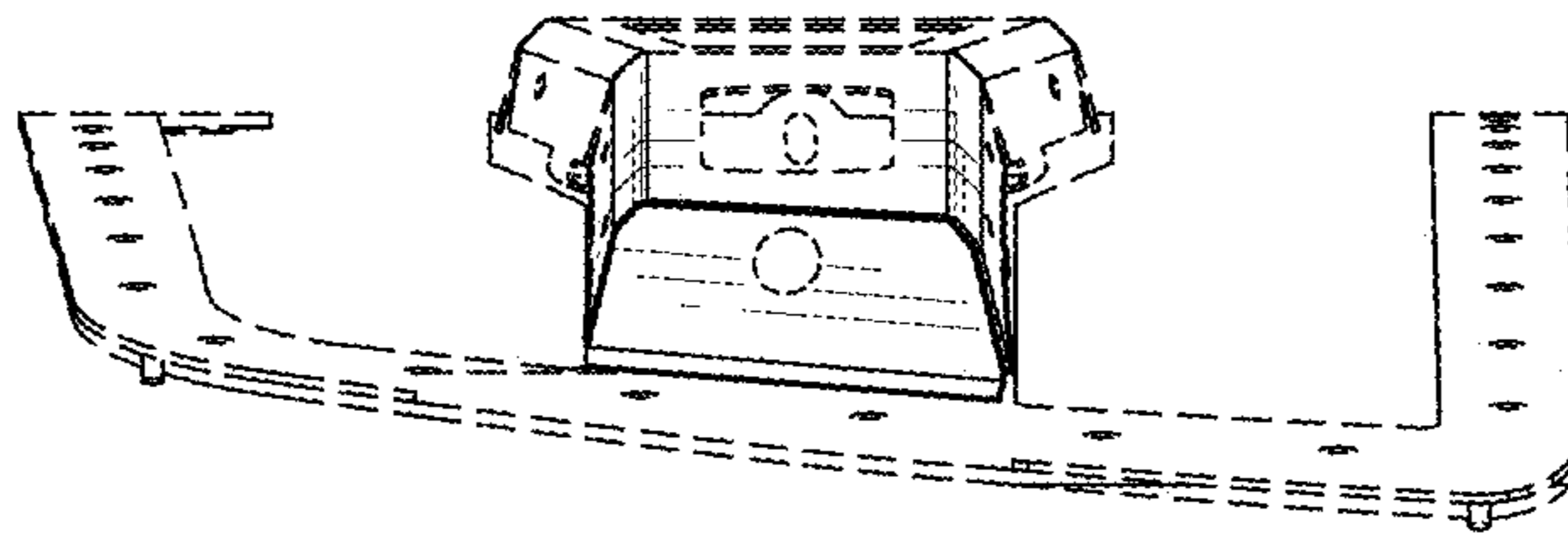


Fig-7