



US00D881761S

(12) **United States Design Patent** (10) **Patent No.:** **US D881,761 S**
Turner (45) **Date of Patent:** **** Apr. 21, 2020**

(54) **DUAL CHAIN GEAR**
(71) Applicant: **Daniel Turner**, Humble, TX (US)
(72) Inventor: **Daniel Turner**, Humble, TX (US)
(**) Term: **15 Years**

(21) Appl. No.: **29/654,819**
(22) Filed: **Jun. 27, 2018**
(51) **LOC (12) Cl.** **12-11**
(52) **U.S. Cl.**
USPC **D12/123**
(58) **Field of Classification Search**
USPC D12/111, 122-127
CPC F16H 7/06; F16H 55/30; F16H 55/303;
B62M 9/105
See application file for complete search history.

(56) **References Cited**

U.S. PATENT DOCUMENTS

D396,436 S *	7/1998	Liska	D12/123
D435,001 S *	12/2000	Takamori	D12/123
D436,561 S *	1/2001	Louden	D12/123
D472,843 S *	4/2003	Marquez-Pickering	D11/81
D527,245 S *	8/2006	Kelleghan	D8/356
D592,107 S *	5/2009	Clarke	D12/123
7,914,408 B2 *	3/2011	Young	F16H 7/06 474/152
D702,411 S *	4/2014	Bromm	D34/10
D718,658 S *	12/2014	Cadarette	D12/7
D757,832 S *	5/2016	Calcino	D15/148
D765,551 S *	9/2016	Baker, Jr.	D12/123
D806,614 S *	1/2018	Turner	D12/123
D811,948 S *	3/2018	Turner	D12/123
D828,235 S *	9/2018	Kittrell, Jr.	D12/123

D860,279 S *	9/2019	Karol	D15/148
2015/0285364 A1 *	10/2015	Pfeiffer	F16H 55/30 474/152
2015/0360749 A1 *	12/2015	Iwai	F16H 55/30 474/158

OTHER PUBLICATIONS

Wayne Scraba. "Basic Tech: Standard vs. Roller Timing Chains." On All Cylinders., Jul. 26, 2013 [online], [retrieved on Jan. 21, 2020]. Retrieved from the Internet <URL: <https://www.onallcylinders.com/2013/07/26/standard-vs-roller-timing-chains/>>.*
"4T65E Transmission Sprocket Set . . ." Transmission Parts Distributors., Mar. 29, 2016 [online], [retrieved on Jan. 21, 2020]. Retrieved from the Internet <URL: <https://www.transmissionparts distributors.com/4t65e-transmission-sprocket-set-35t-drive-35t-driven-for-dual-chain-fits-97/>>.*
Examination Report from related Canadian application No. 185172, dated Nov. 19, 2019, 2 pages.

* cited by examiner

Primary Examiner — Darlington Ly
(74) *Attorney, Agent, or Firm* — Law Office of Jeff Williams, PLLC; J. Oliver Williams

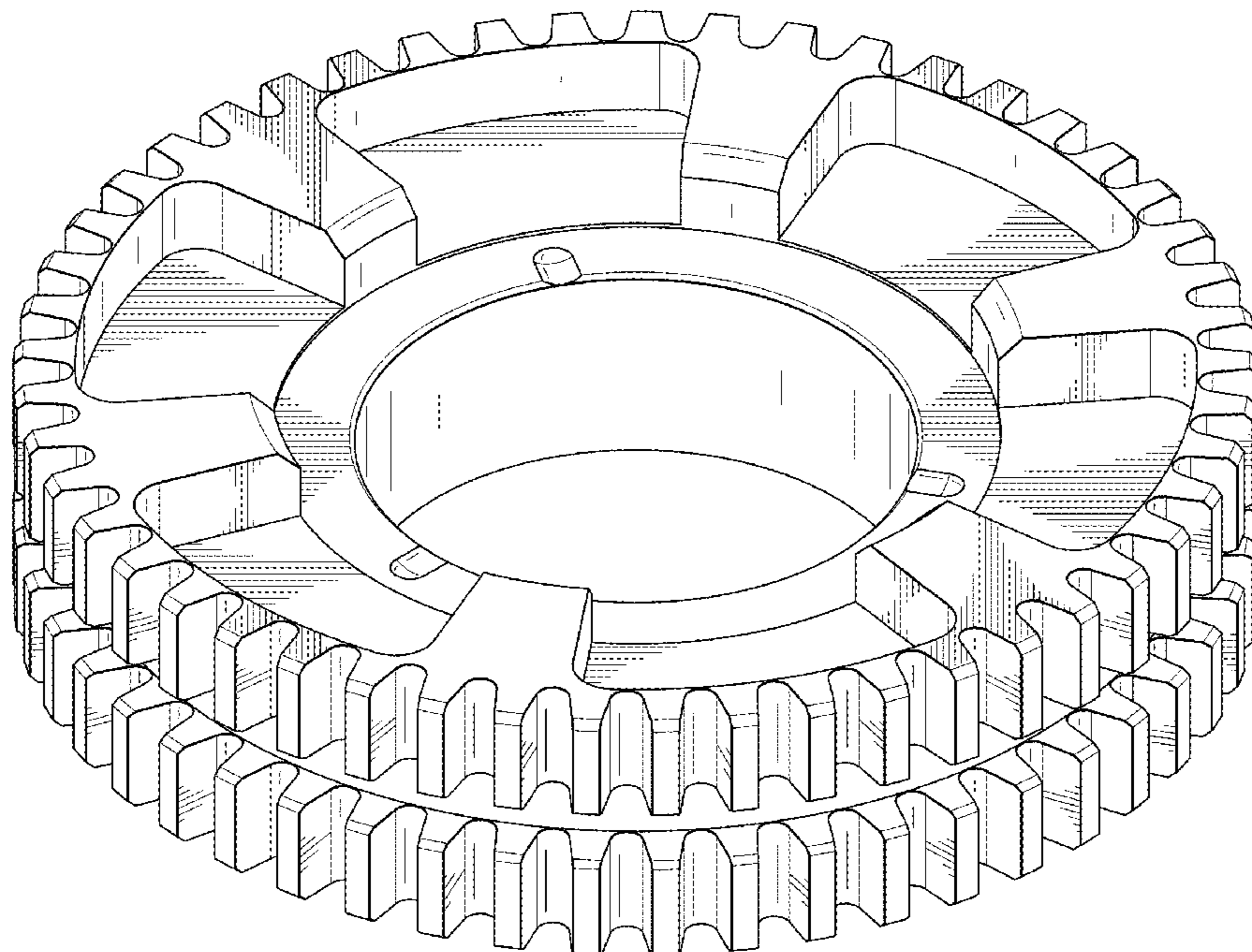
(57) **CLAIM**

The ornamental design for a dual chain gear, as shown.

DESCRIPTION

FIG. 1 is a front perspective view of a dual chain gear according to the present application.
FIG. 2 is a front view of the dual chain gear of FIG. 1.
FIG. 3 is a rear view of the dual chain gear of FIG. 1.
FIG. 4 is a right view of the dual chain gear of FIG. 1.
FIG. 5 is a left view of the dual chain gear of FIG. 1.
FIG. 6 is a top view of the dual chain gear of FIG. 1; and,
FIG. 7 is a bottom view of the dual chain gear of FIG. 1.

1 Claim, 5 Drawing Sheets



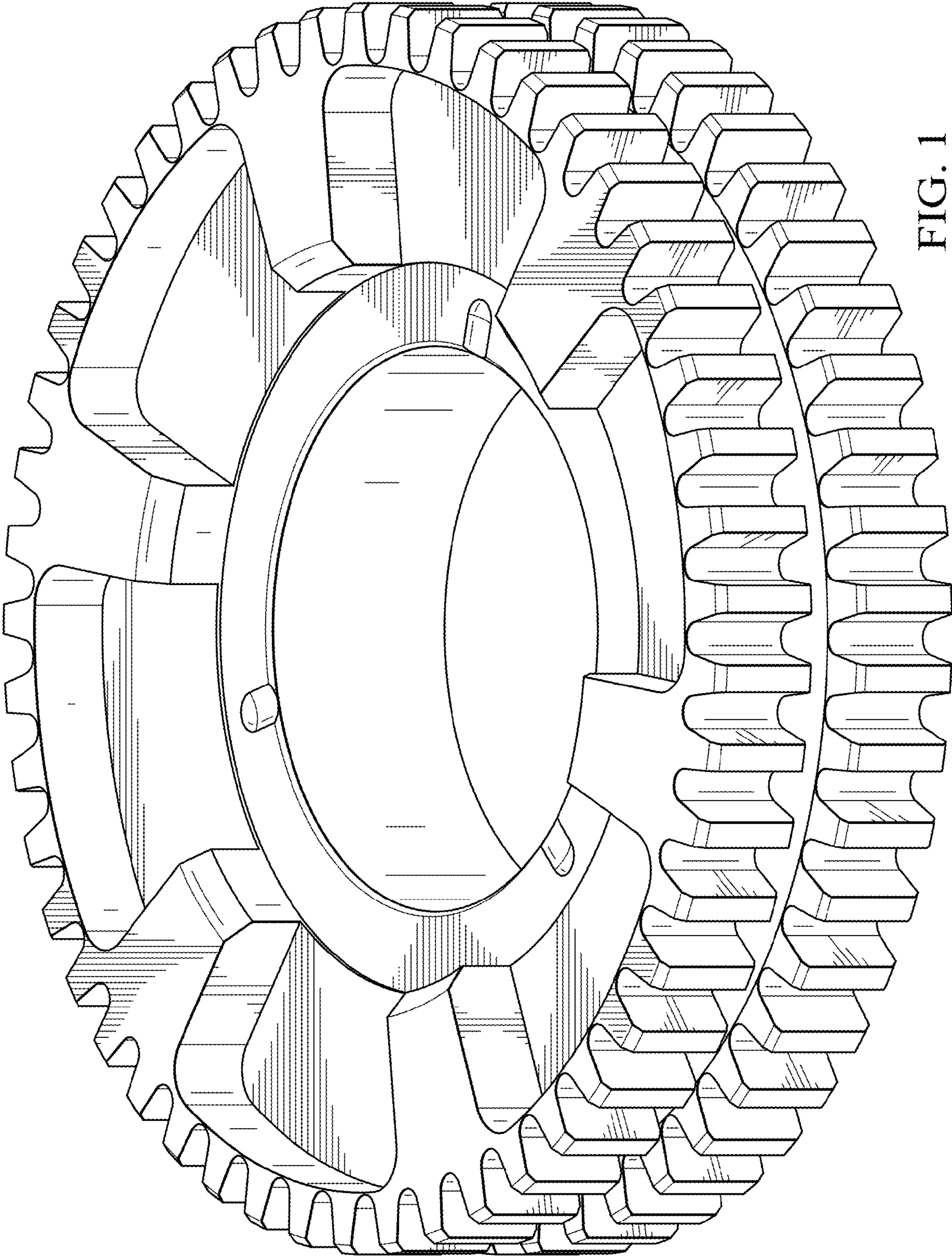


FIG. 1

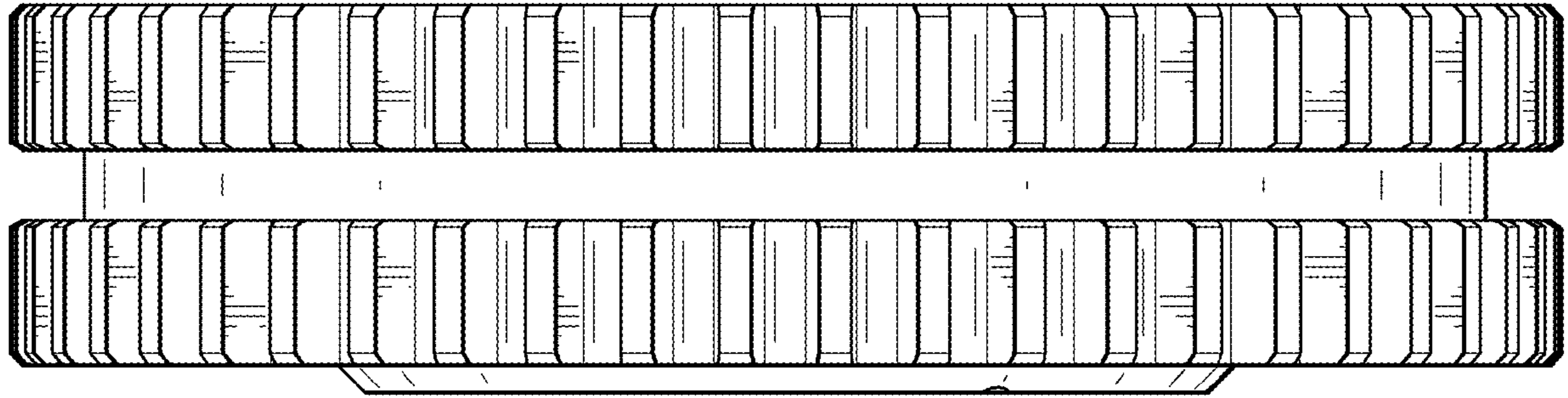


FIG. 2

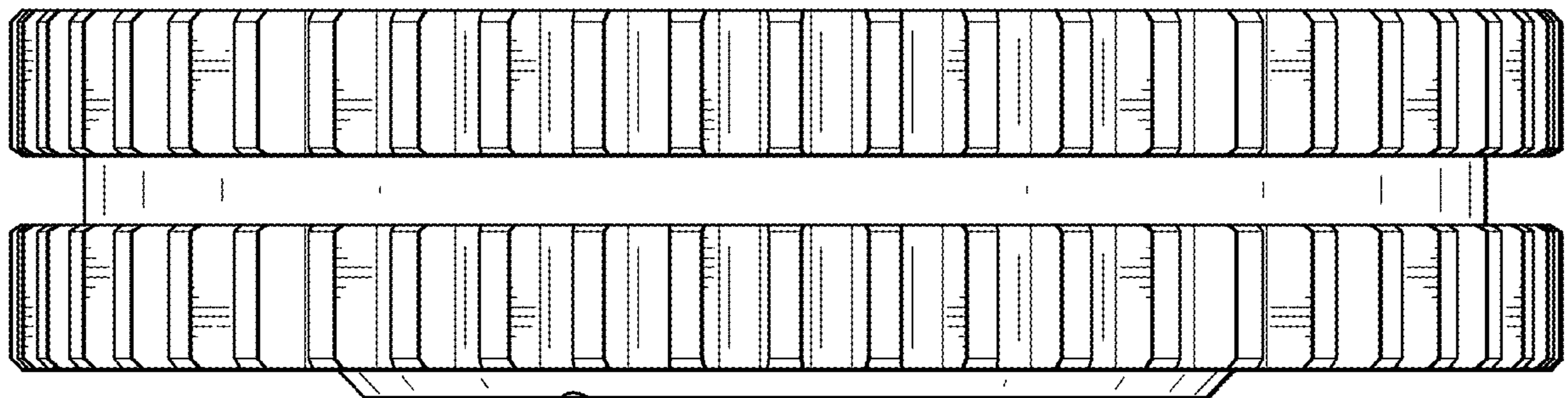


FIG. 3

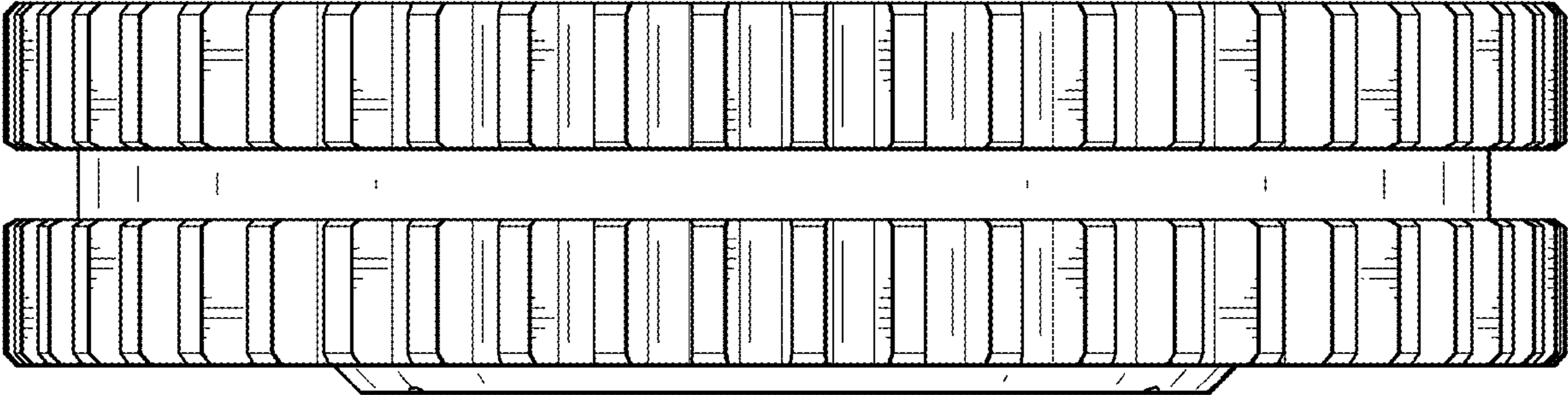


FIG. 4

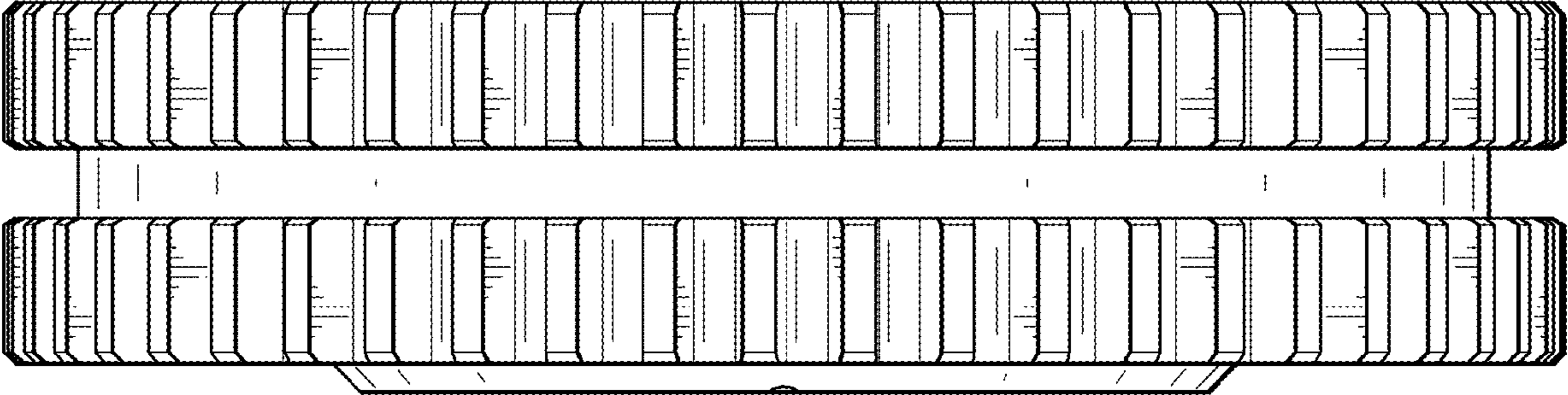


FIG. 5

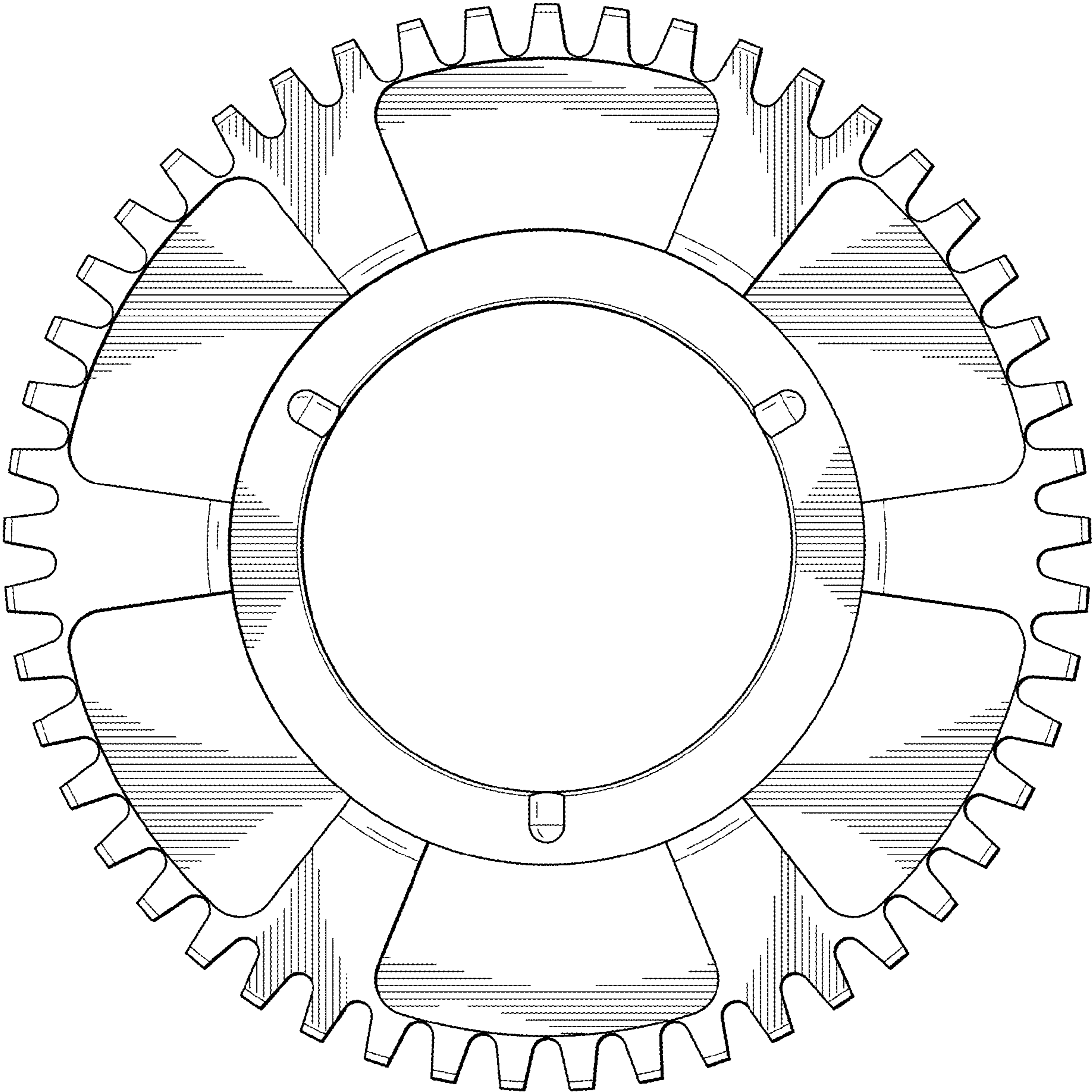


FIG. 6

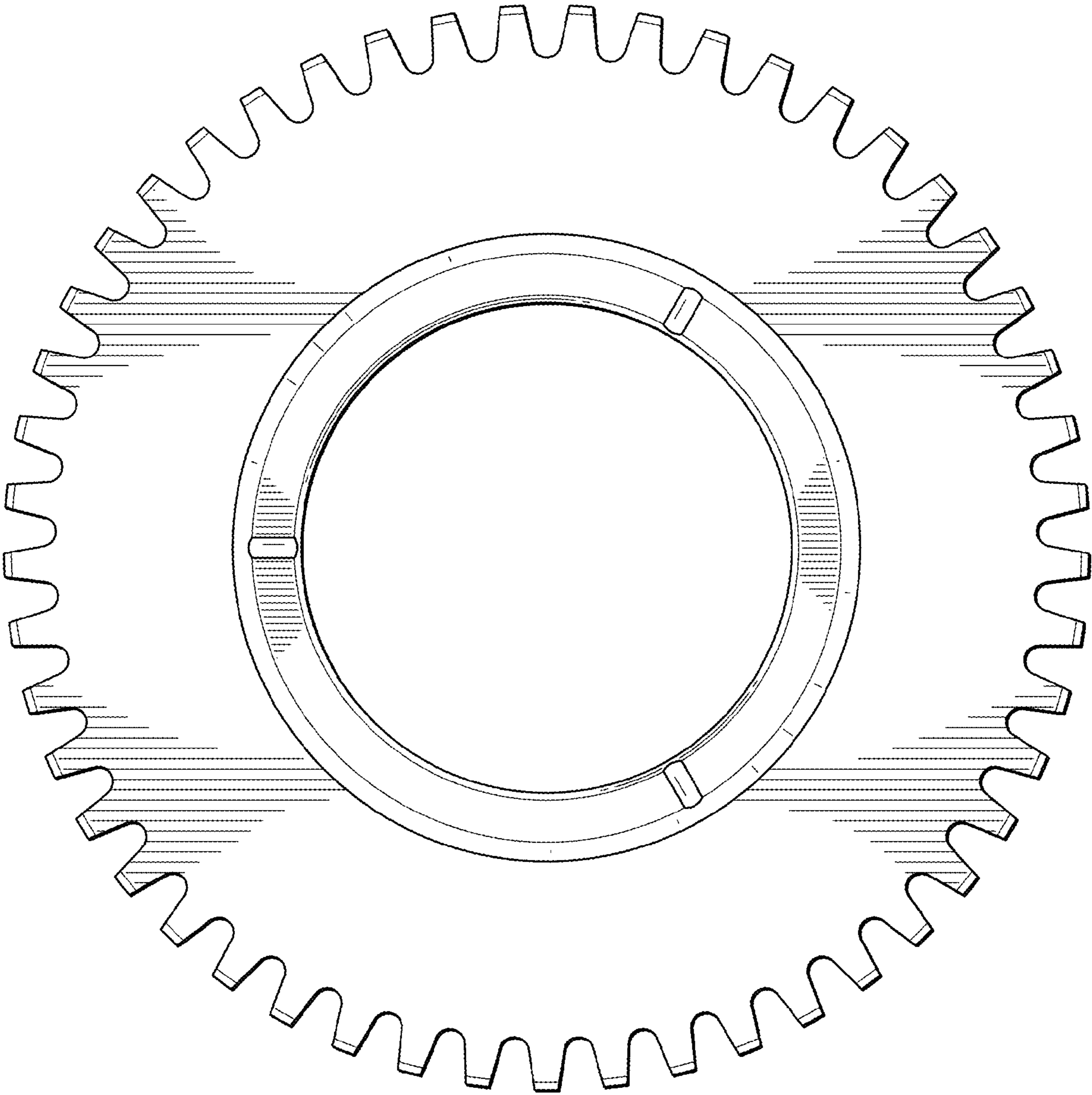


FIG. 7