



US00D881759S

(12) **United States Design Patent** (10) **Patent No.:** **US D881,759 S**  
**Turner** (45) **Date of Patent:** **\*\* Apr. 21, 2020**

(54) **UPPER MAIN SHAFT**  
(71) Applicant: **Daniel Turner**, Humble, TX (US)  
(72) Inventor: **Daniel Turner**, Humble, TX (US)  
(\*\*) Term: **15 Years**  
(21) Appl. No.: **29/654,818**  
(22) Filed: **Jun. 27, 2018**  
(51) **LOC (12) Cl.** ..... **12-11**  
(52) **U.S. Cl.**  
USPC ..... **D12/114; D12/160**  
(58) **Field of Classification Search**  
USPC ..... D12/114, 117, 110, 111, 122-127, 159,  
D12/160, 400; D15/5  
CPC ..... B60G 2300/124; B60G 2300/12; B62K  
2005/001; B62K 25/04; B62K 25/283;  
B62K 5/01; B60K 17/28; B60Y 2200/20;  
B60B 35/04; B60B 35/14  
See application file for complete search history.

6,050,737 A \* 4/2000 Russell ..... B60P 3/079  
403/43  
D426,175 S \* 6/2000 Chin-Fong ..... D12/114  
D426,494 S \* 6/2000 Wimmer ..... D12/114  
D582,323 S \* 12/2008 Nilsson ..... D12/118  
D648,007 S \* 11/2011 Morishita ..... D23/259  
D708,706 S \* 7/2014 Pridham ..... D23/233  
D731,932 S \* 6/2015 Lindsay ..... D12/160  
D774,984 S \* 12/2016 Panichgasem ..... D12/118  
D823,735 S \* 7/2018 Carlini ..... D12/160  
2002/0024192 A1\* 2/2002 Rasidescu ..... B60G 3/14  
280/124.135  
2013/0207450 A1\* 8/2013 Ebert ..... B60B 35/14  
301/132  
2014/0090935 A1\* 4/2014 Pongo ..... B60K 17/08  
188/18 A  
2014/0238808 A1\* 8/2014 Lai ..... B60B 27/023  
192/46  
2018/0111418 A1\* 4/2018 Leith ..... B60B 35/04  
2018/0297400 A1\* 10/2018 Carroll ..... B60B 35/04

\* cited by examiner

*Primary Examiner* — Michelle E. Wilson  
*Assistant Examiner* — Clese Moore, Jr.  
(74) *Attorney, Agent, or Firm* — Law Office of Jeff  
Williams PLLC; J. Oliver Williams

(56) **References Cited**  
U.S. PATENT DOCUMENTS

983,855 A \* 2/1911 Aton ..... 301/132  
2,687,704 A \* 8/1954 Galkin ..... D05B 27/10  
112/318  
D246,850 S \* 1/1978 Hennecke ..... D12/114  
4,828,328 A \* 5/1989 Bowman ..... B60B 35/02  
301/111.04  
D301,703 S \* 6/1989 Bernstein ..... D12/114  
5,027,524 A \* 7/1991 Metcalf ..... G01B 5/0025  
33/203.18  
D358,119 S \* 5/1995 Winter ..... D12/160  
5,429,344 A \* 7/1995 Stewart ..... B60G 11/22  
267/141  
D371,331 S \* 7/1996 Mooradian ..... D12/114  
D399,793 S \* 10/1998 Lee ..... D12/114

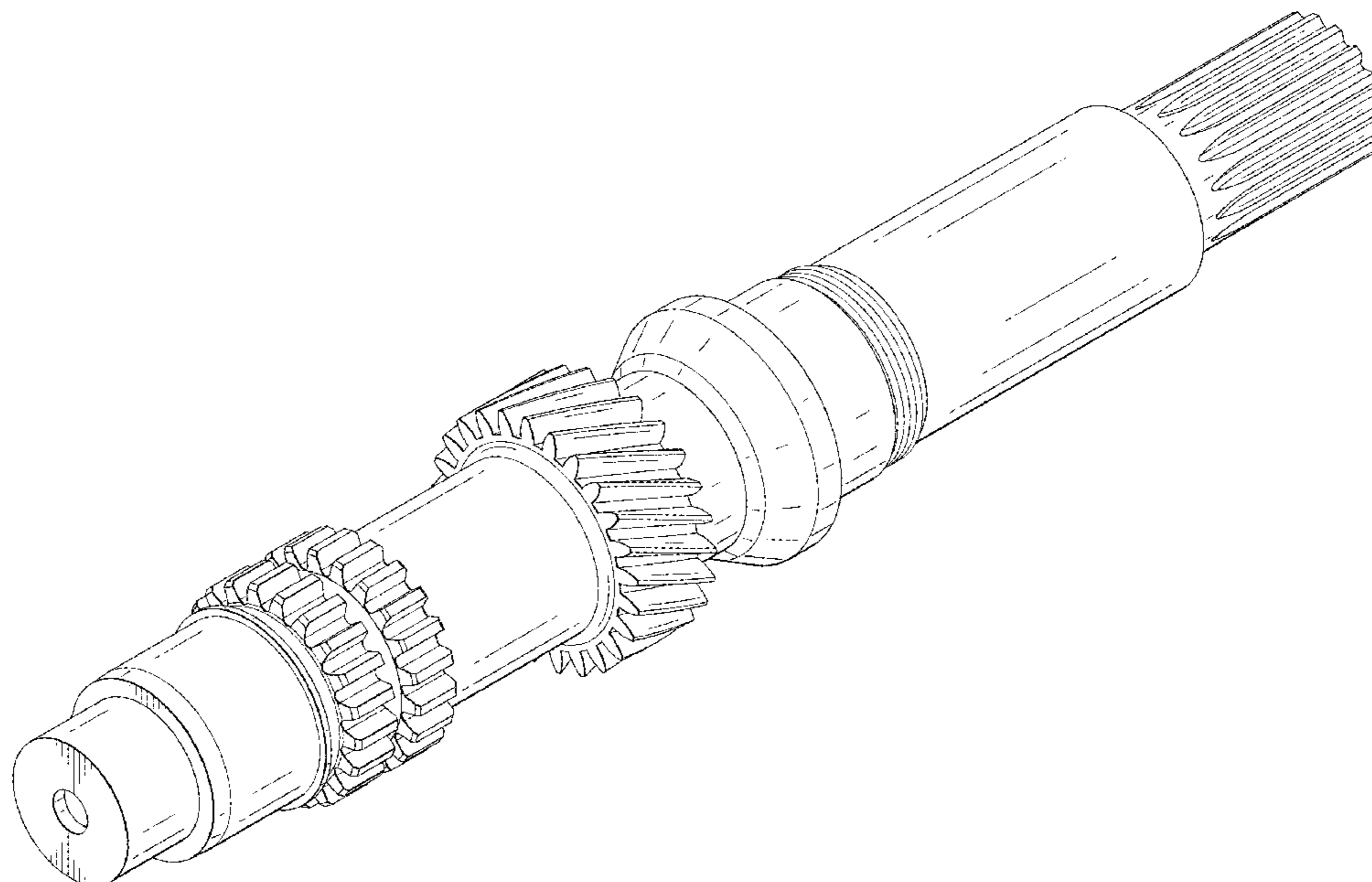
(57) **CLAIM**

The ornamental design for an upper main shaft, as shown.

**DESCRIPTION**

FIG. 1 is a front perspective view of an upper main shaft according to the present application.  
FIG. 2 is a front view of the upper main shaft of FIG. 1.  
FIG. 3 is a rear view of the upper main shaft of FIG. 1.  
FIG. 4 is a right view of the upper main shaft of FIG. 1.  
FIG. 5 is a left view of the upper main shaft of FIG. 1.  
FIG. 6 is a top view of the upper main shaft of FIG. 1; and,  
FIG. 7 is a bottom view of the upper main shaft of FIG. 1.

**1 Claim, 4 Drawing Sheets**



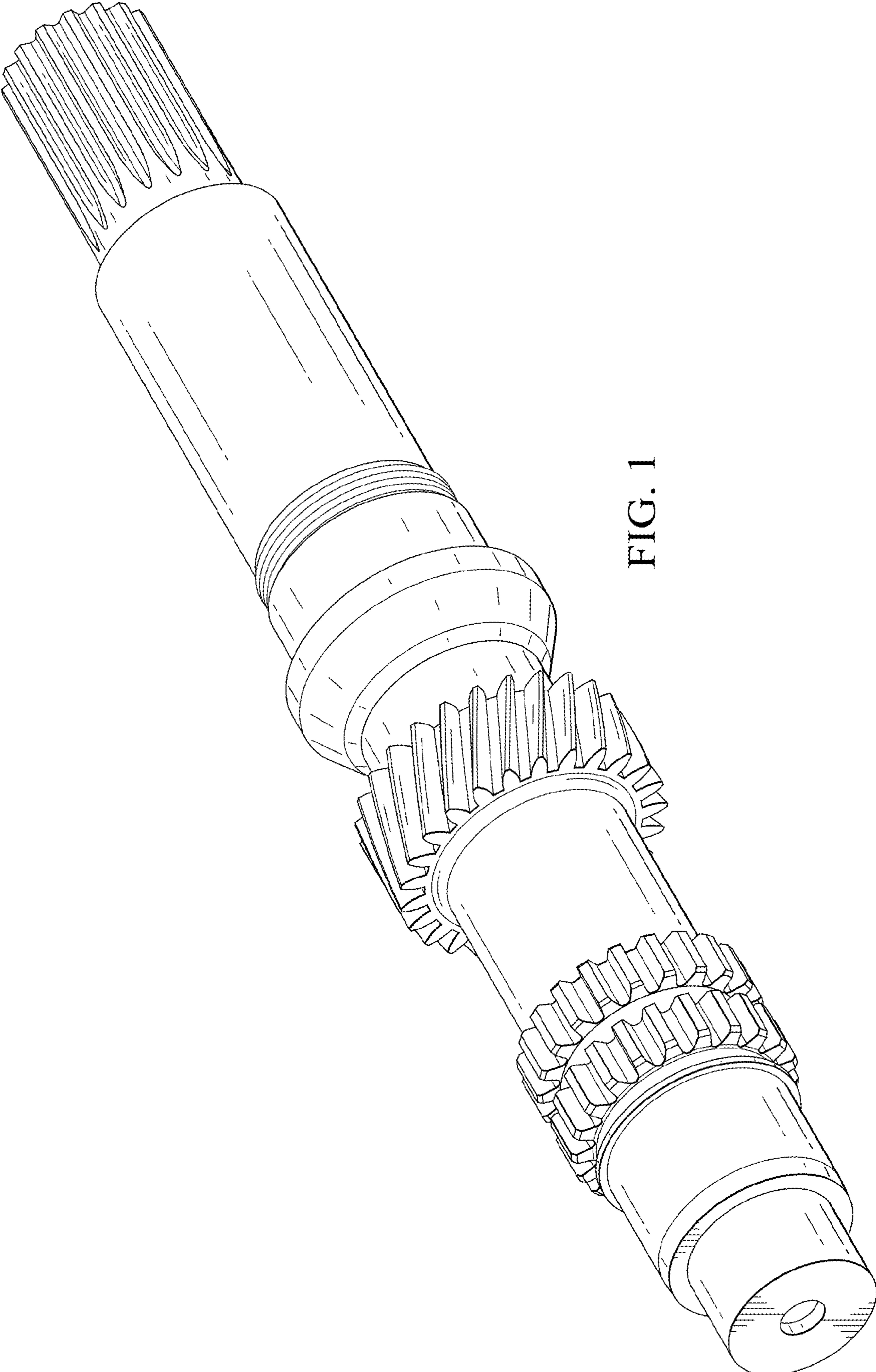


FIG. 1

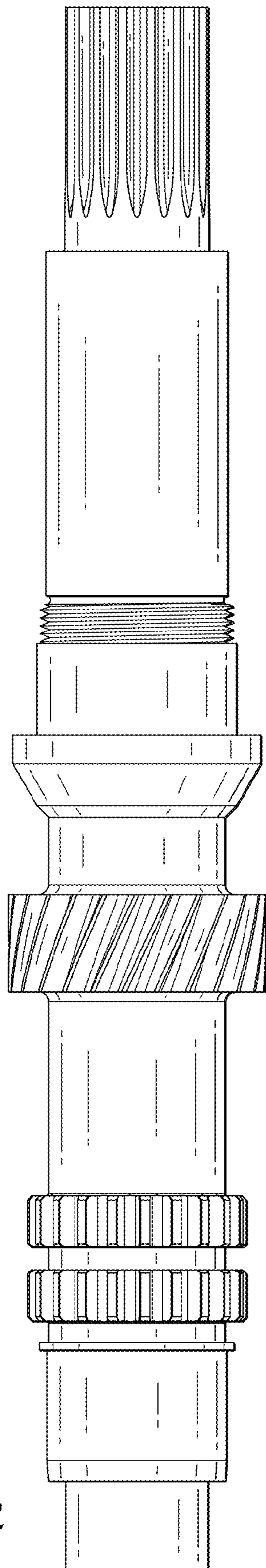


FIG. 2

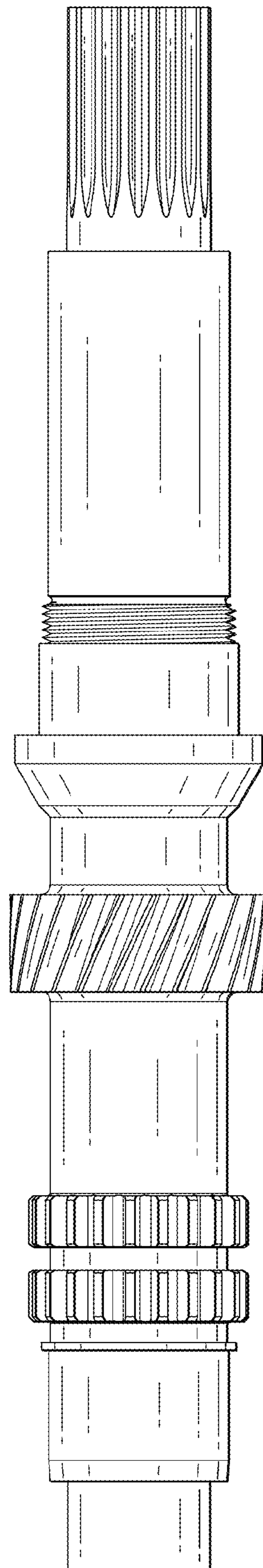


FIG. 3



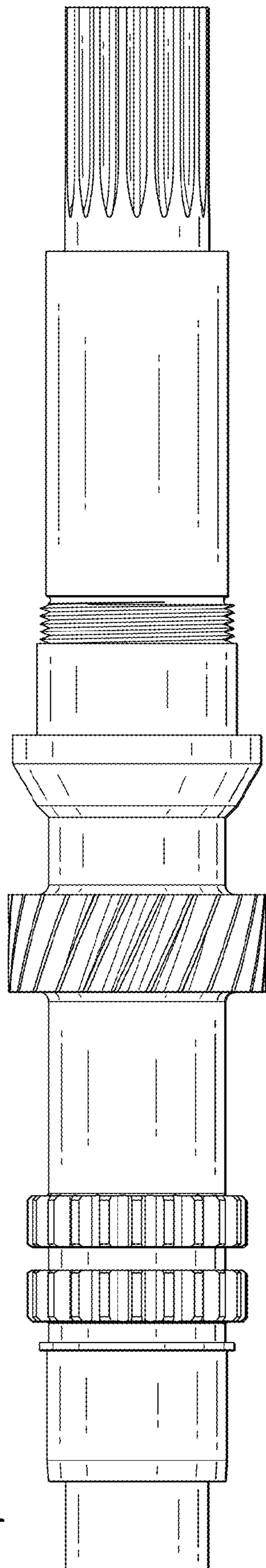


FIG. 4

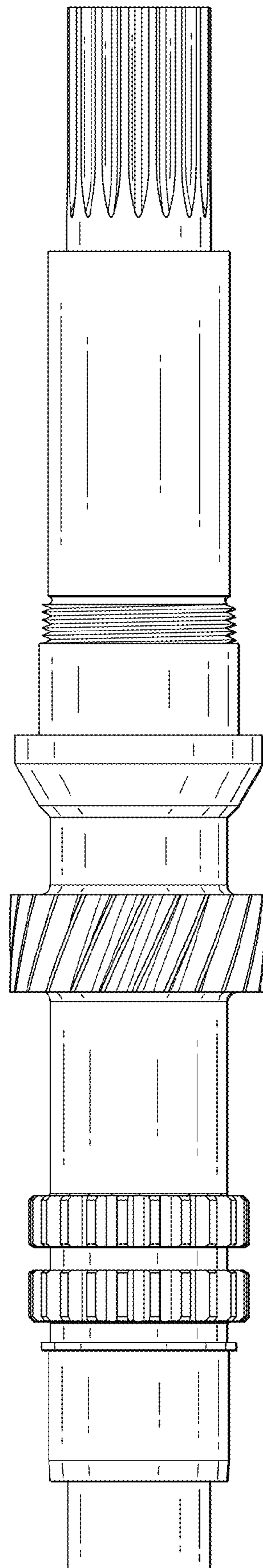


FIG. 5

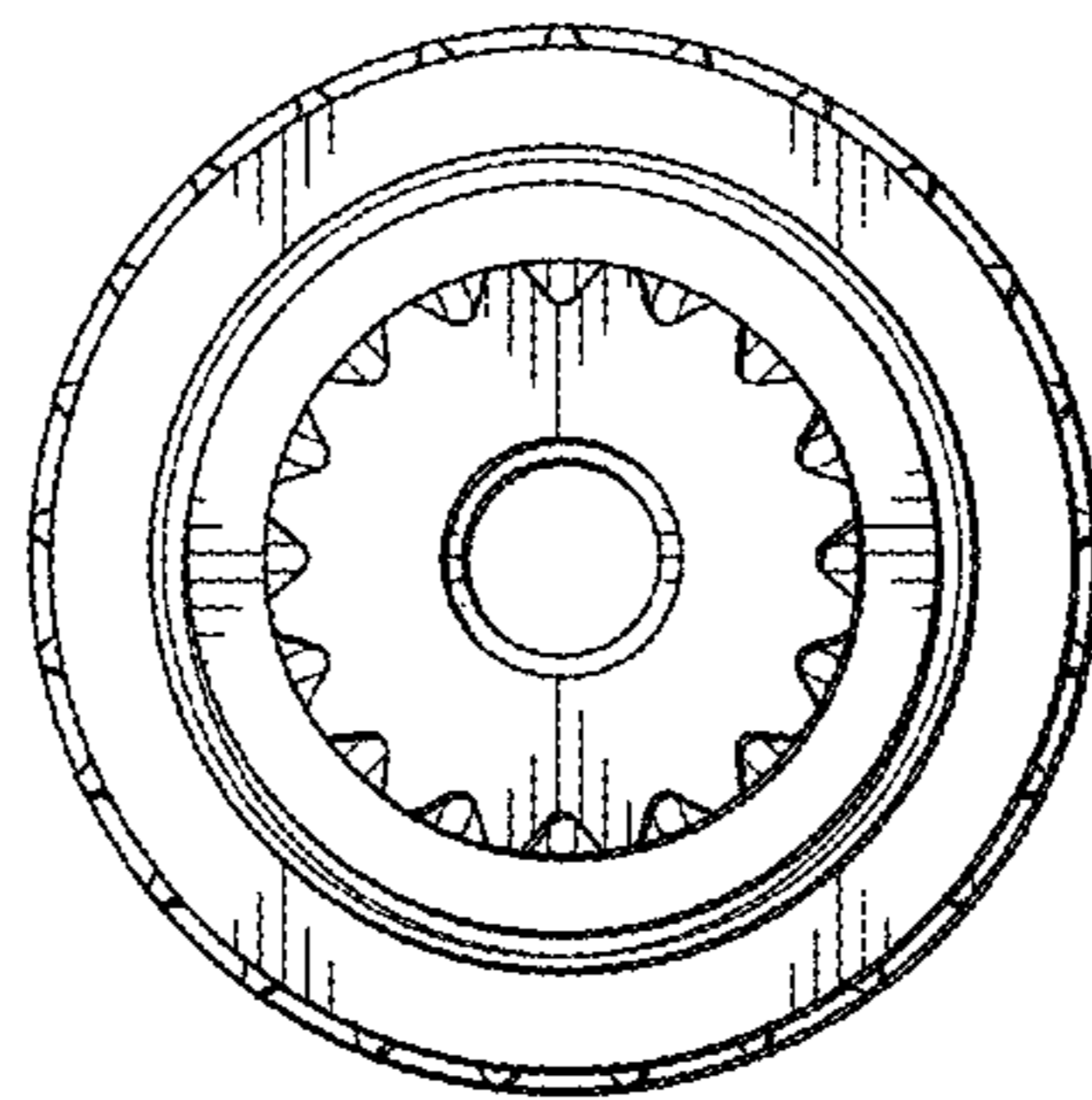


FIG. 6

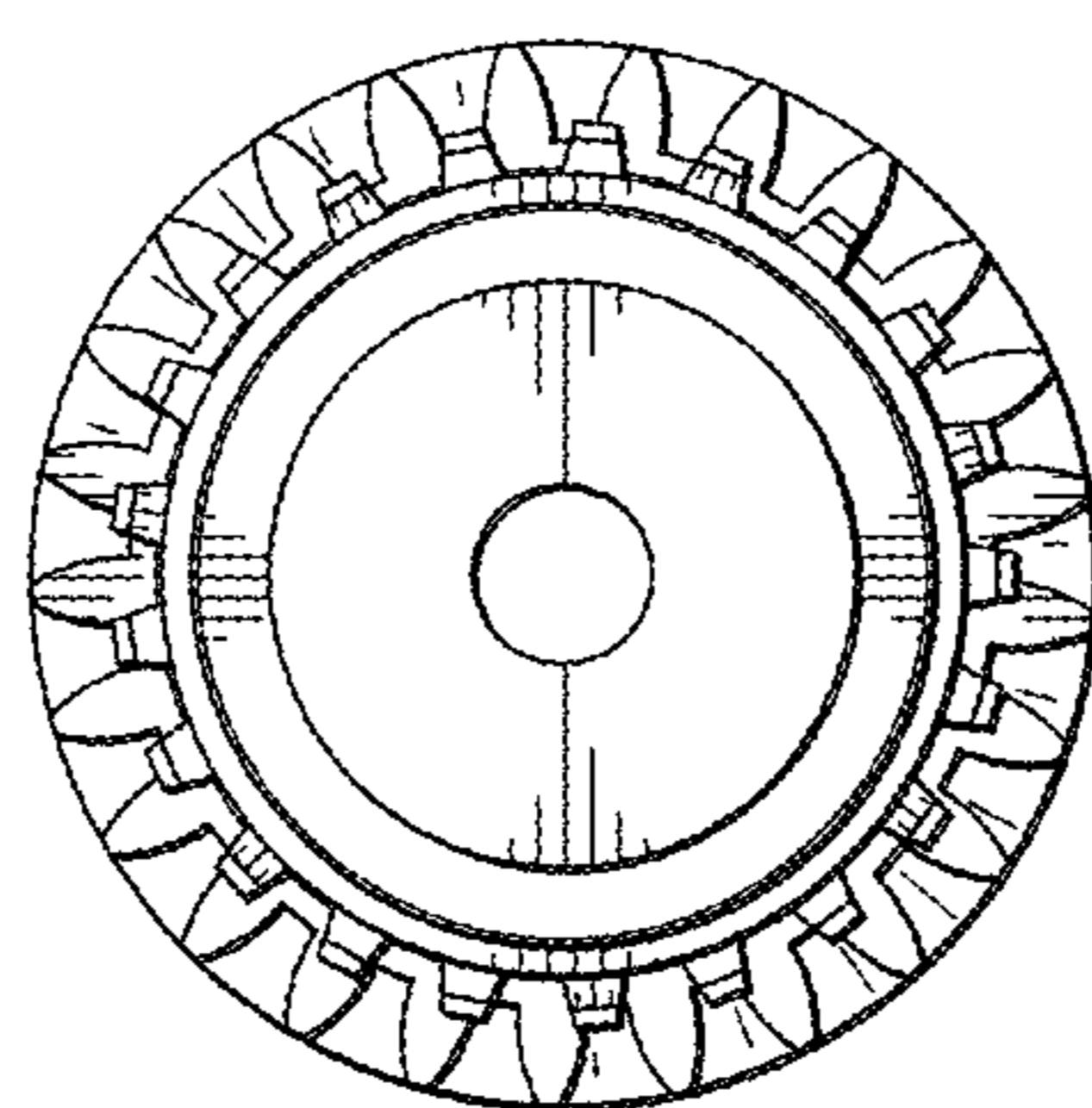


FIG. 7