



US00D881758S

(12) **United States Design Patent** (10) **Patent No.:** **US D881,758 S**
Kezha (45) **Date of Patent:** **** Apr. 21, 2020**

(54) **VEHICLE, TOY, AND/OR REPLICAS THEREOF**

FOREIGN PATENT DOCUMENTS

(71) Applicant: **Bayerische Motoren Werke Aktiengesellschaft, Munich (DE)**

EM 003397900-0003 10/2018

* cited by examiner

(72) Inventor: **Alexey Kezha, Munich (DE)**

Primary Examiner — Melody N Brown

(74) *Attorney, Agent, or Firm* — Crowell & Moring LLP

(73) Assignee: **Bayerische Motoren Werke Aktiengesellschaft, Munich (DE)**

(57) **CLAIM**

(**) Term: **15 Years**

The ornamental design for a vehicle, toy, and/or replicas thereof, as shown and described.

(21) Appl. No.: **29/676,460**

DESCRIPTION

(22) Filed: **Jan. 11, 2019**

(30) **Foreign Application Priority Data**

Jul. 20, 2018 (DE) 40 2018 100 722

(51) **LOC (12) Cl.** **12-08**

(52) **U.S. Cl.**
USPC **D12/92**

(58) **Field of Classification Search**
USPC D12/86, 90-92, 88; D21/424, 433, 434, D21/533; 296/181.1-181.5, 183.1
CPC B62D 25/00; B62D 25/06; B62D 33/00; B62D 35/00

See application file for complete search history.

(56) **References Cited**

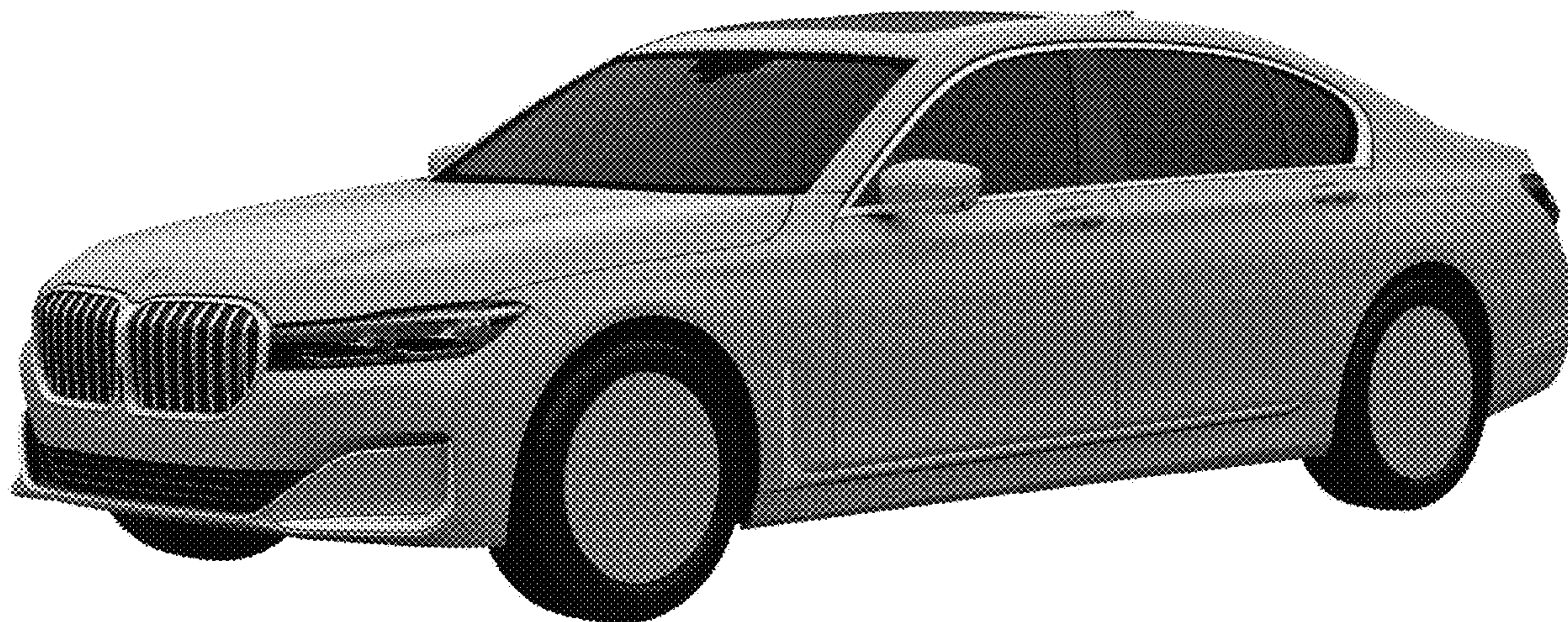
U.S. PATENT DOCUMENTS

D743,846 S * 11/2015 Guille D12/92
D761,695 S 7/2016 Faghihzadeh
D803,100 S * 11/2017 Forschner D12/92
D834,454 S * 11/2018 Luk D12/92
D835,007 S * 12/2018 Schneider D12/92
D844,490 S * 4/2019 Luk D12/92
D845,834 S * 4/2019 Sarremejean D12/91
D860,052 S * 9/2019 Kezha D12/92
D860,053 S * 9/2019 Forschner D12/92
D860,054 S * 9/2019 Kezha D12/92

This application contains subject matter related to the following co-pending U.S. design patent applications: Application Ser. No. 29/676,459, filed herewith and entitled "Vehicle, Toy, and/or Replicas Thereof"; Application Ser. No. 29/676,461, filed herewith and entitled "Front Bumper for a Vehicle"; Application Ser. No. 29/676,462, filed herewith and entitled "Rear Bumper for a Vehicle"; Application Ser. No. 29/676,465, filed herewith and entitled "Radiator Grille for a Vehicle"; Application Ser. No. 29/676,466, filed herewith and entitled "Headlight for a Vehicle"; Application Ser. No. 29/676,467, filed herewith and entitled "Taillight for a Vehicle"; and Application Ser. No. 29/676,468, filed herewith and entitled "Taillight for a Vehicle".

FIG. 1 is a left, front perspective view of a vehicle, toy, and/or replicas thereof according to the design; FIG. 2 is a left side view thereof; FIG. 3 is a right side view thereof; FIG. 4 is a right, rear perspective view thereof; FIG. 5 is a front view thereof; FIG. 6 is a rear view thereof; and, FIG. 7 is a top view thereof.

1 Claim, 7 Drawing Sheets



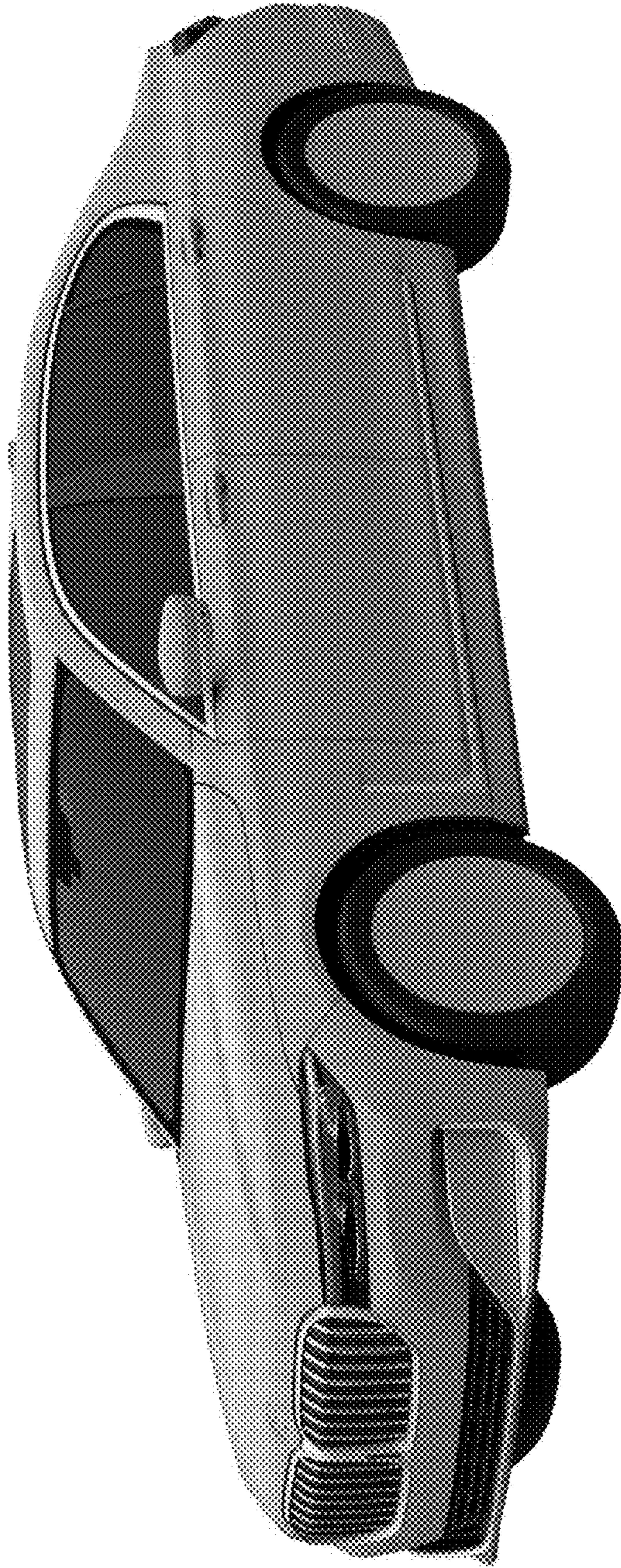


Fig. 1

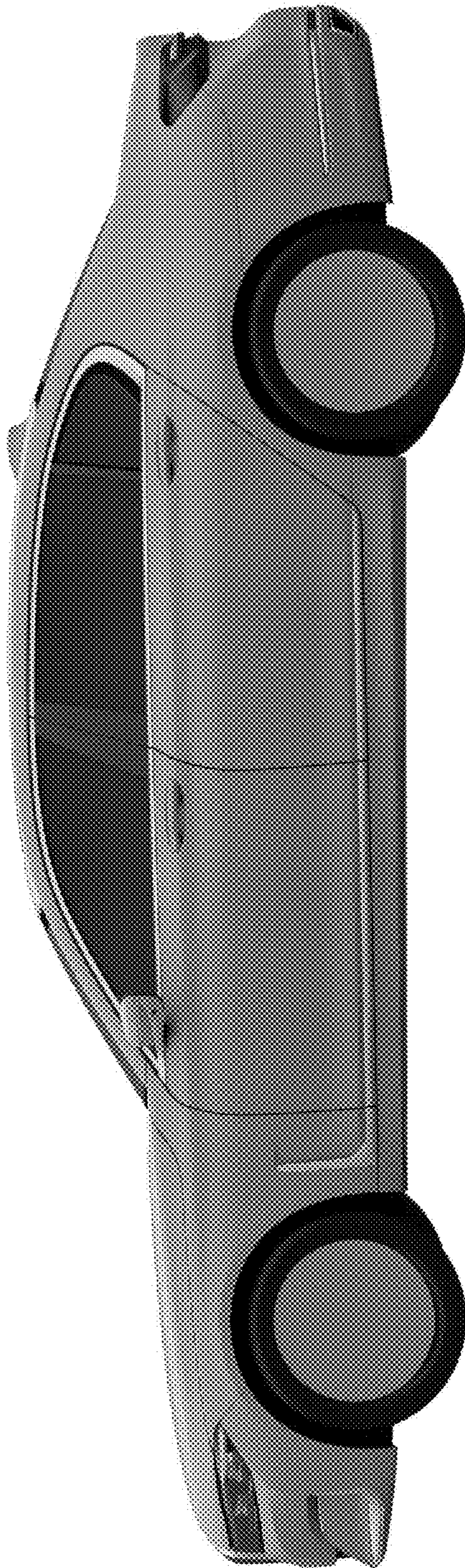


Fig. 2

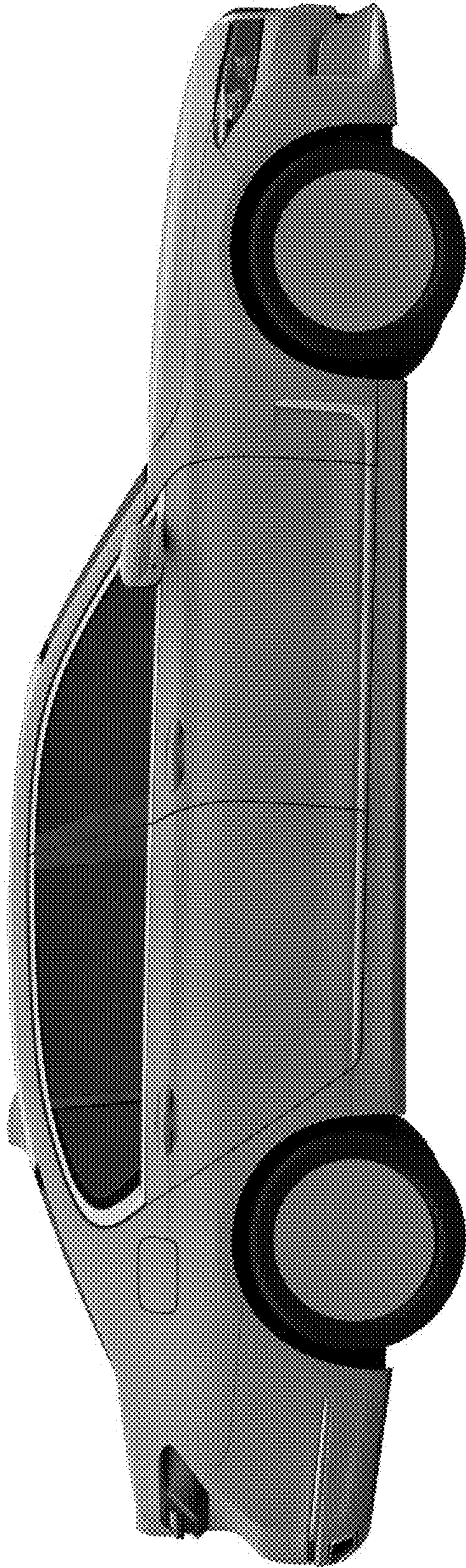


Fig. 3

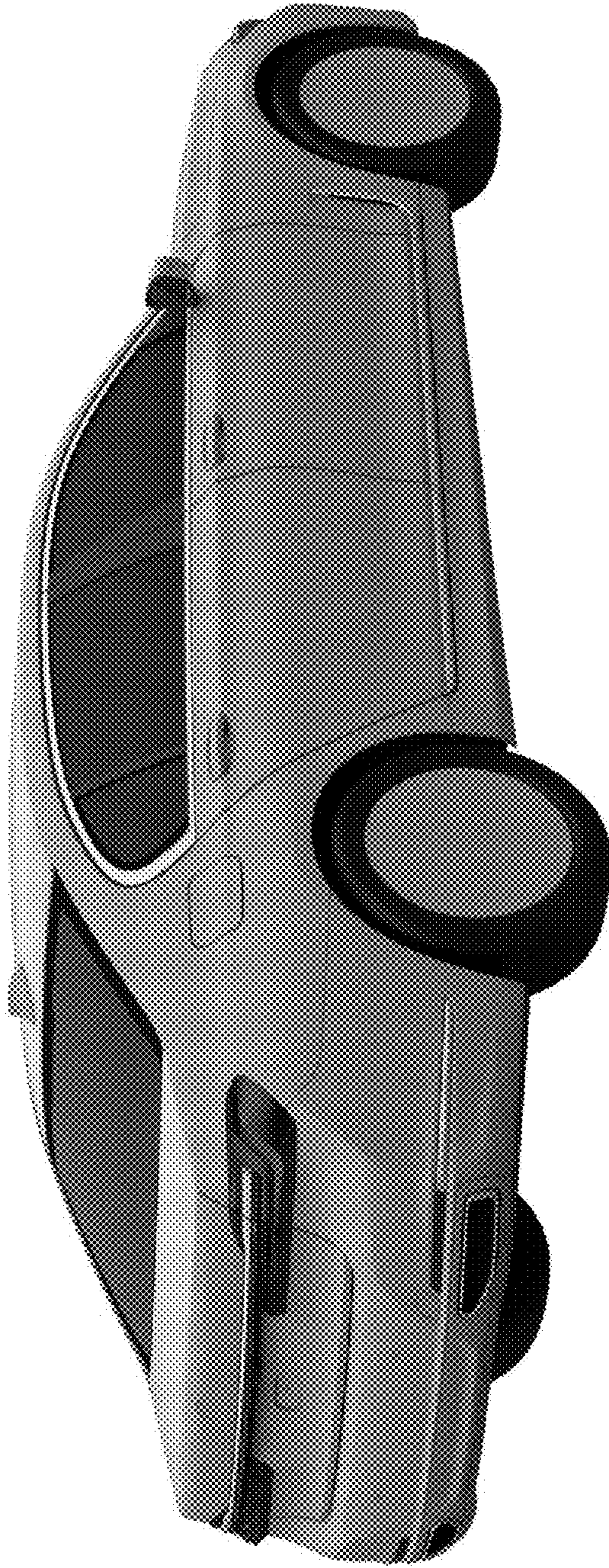


Fig. 4

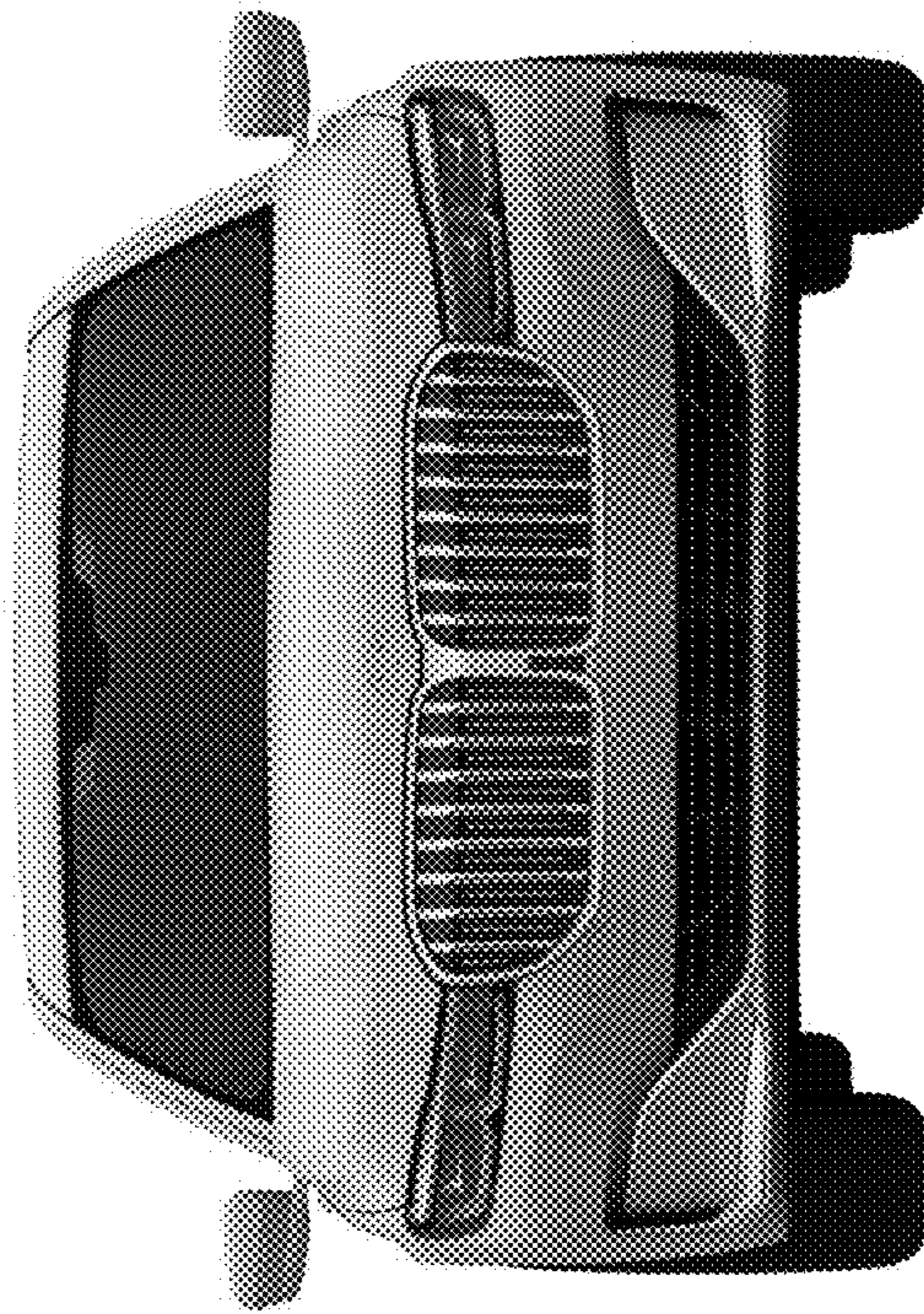


Fig. 5

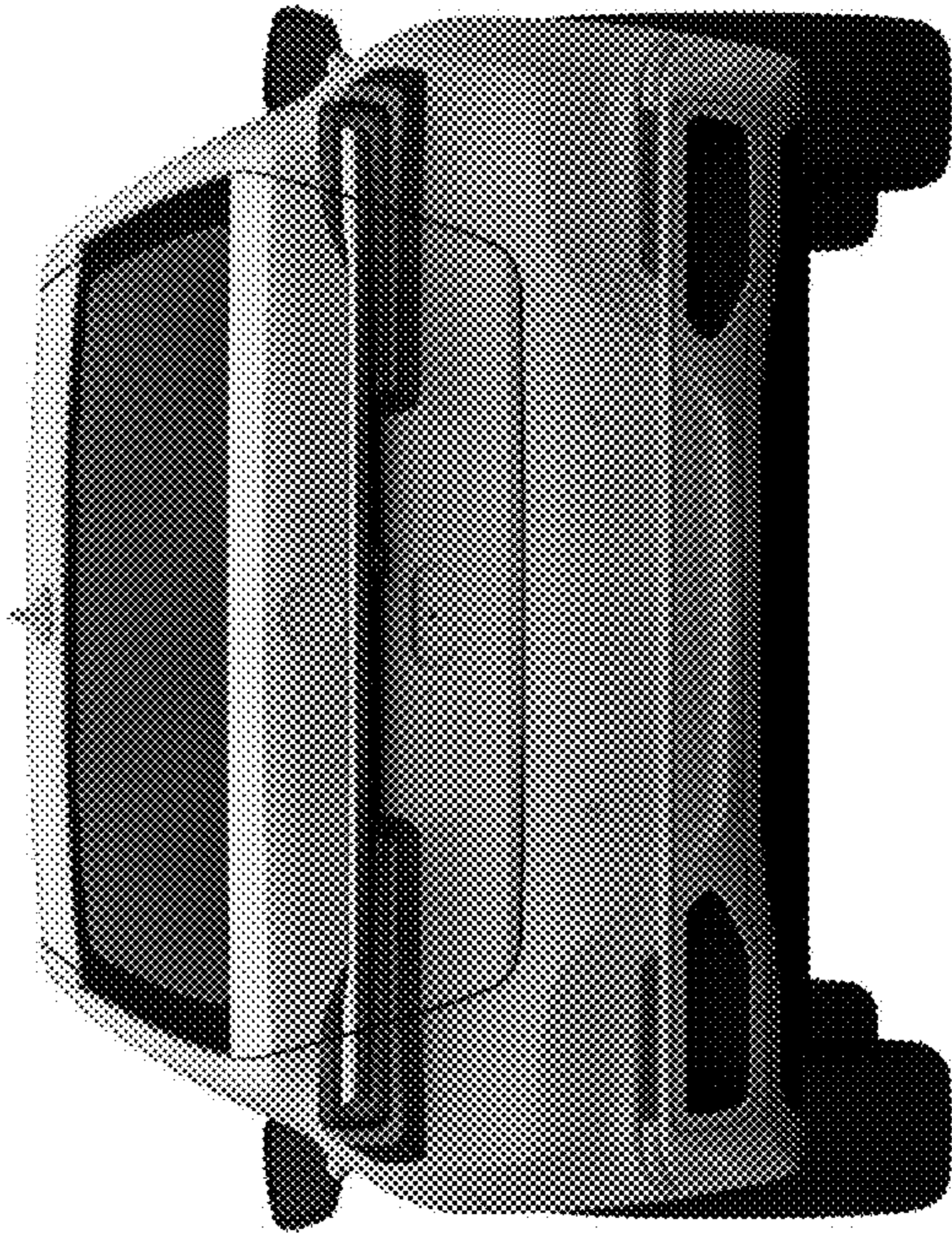


Fig. 6

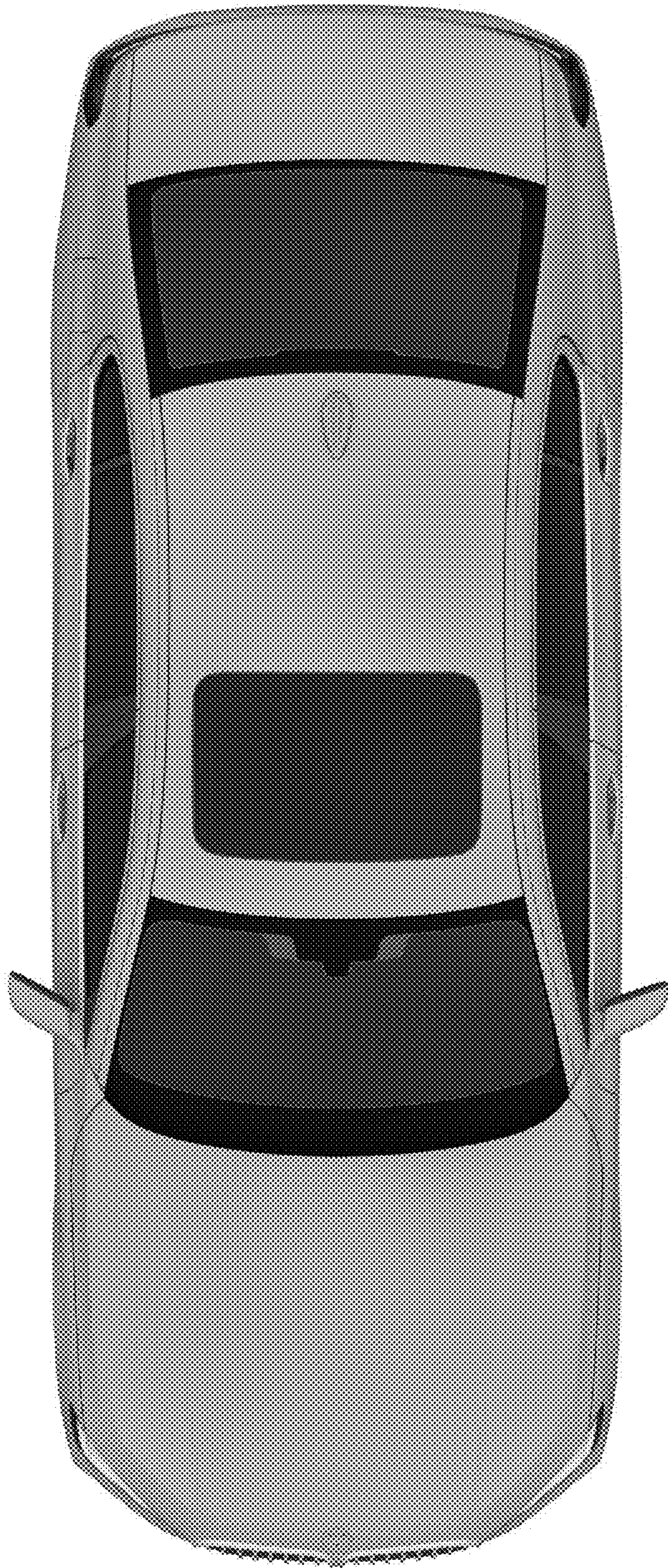


Fig. 7