



US00D881754S

(12) **United States Design Patent**
Park et al.

(10) **Patent No.:** **US D881,754 S**
(45) **Date of Patent:** **** Apr. 21, 2020**

(54) **VEHICLE EXTERIOR**

(71) Applicant: **Ford Global Technologies, LLC**,
Dearborn, MI (US)

(72) Inventors: **Dong H. Park**, Canton, MI (US);
Anthony Meyer, Royal Oak, MI (US);
William K. Moore, West Bloomfield,
MI (US); **Soohyoung Kim**, Northville,
MI (US); **Thomas Marminc**, Ferndale,
MI (US); **Damon G. Depeyster**,
Northville, MI (US); **Gordon M.**
Platto, Troy, MI (US)

(73) Assignee: **Ford Global Technologies, LLC**,
Dearborn, MI (US)

(**) Term: **15 Years**

(21) Appl. No.: **29/650,660**

(22) Filed: **Jun. 8, 2018**

(51) **LOC (12) Cl.** **12-08**

(52) **U.S. Cl.**
USPC **D12/91**

(58) **Field of Classification Search**
USPC D12/86, 90-92; D21/424, 433, 434;
296/181.1-181.5, 183.1
CPC B62D 25/00; B62D 25/06; B62D 33/00;
B62D 35/00
See application file for complete search history.

(56) **References Cited**

U.S. PATENT DOCUMENTS

D725,550 S * 3/2015 Wolff D12/91
D728,424 S * 5/2015 Rupar D12/91

D728,426 S * 5/2015 Di Buduo D12/91
D736,120 S * 8/2015 Blanski D12/91
D741,224 S * 10/2015 Rupar D12/91
D741,752 S * 10/2015 Messale D12/91
D743,303 S * 11/2015 Huang D12/91
D754,563 S 4/2016 Behmer et al.
D791,645 S * 7/2017 Henstridge D12/91
D819,495 S * 6/2018 Bucher D12/91
D819,496 S * 6/2018 Bucher D12/91
D819,497 S * 6/2018 Platto D12/91
D821,920 S * 7/2018 Platto D12/91
D830,232 S * 10/2018 Tamiya D12/91

* cited by examiner

Primary Examiner — Melody N Brown

(57) **CLAIM**

The ornamental design for a vehicle exterior, as shown and described.

DESCRIPTION

FIG. 1 is a front elevational view of a vehicle exterior, showing our new design;
FIG. 2 is a rear view thereof;
FIG. 3 is a left side elevational view thereof;
FIG. 4 is a right side elevational view thereof;
FIG. 5 is a top plan view thereof;
FIG. 6 is a top, front and left side perspective view thereof; and,
FIG. 7 is a top, rear, and left side perspective view thereof.

1 Claim, 7 Drawing Sheets



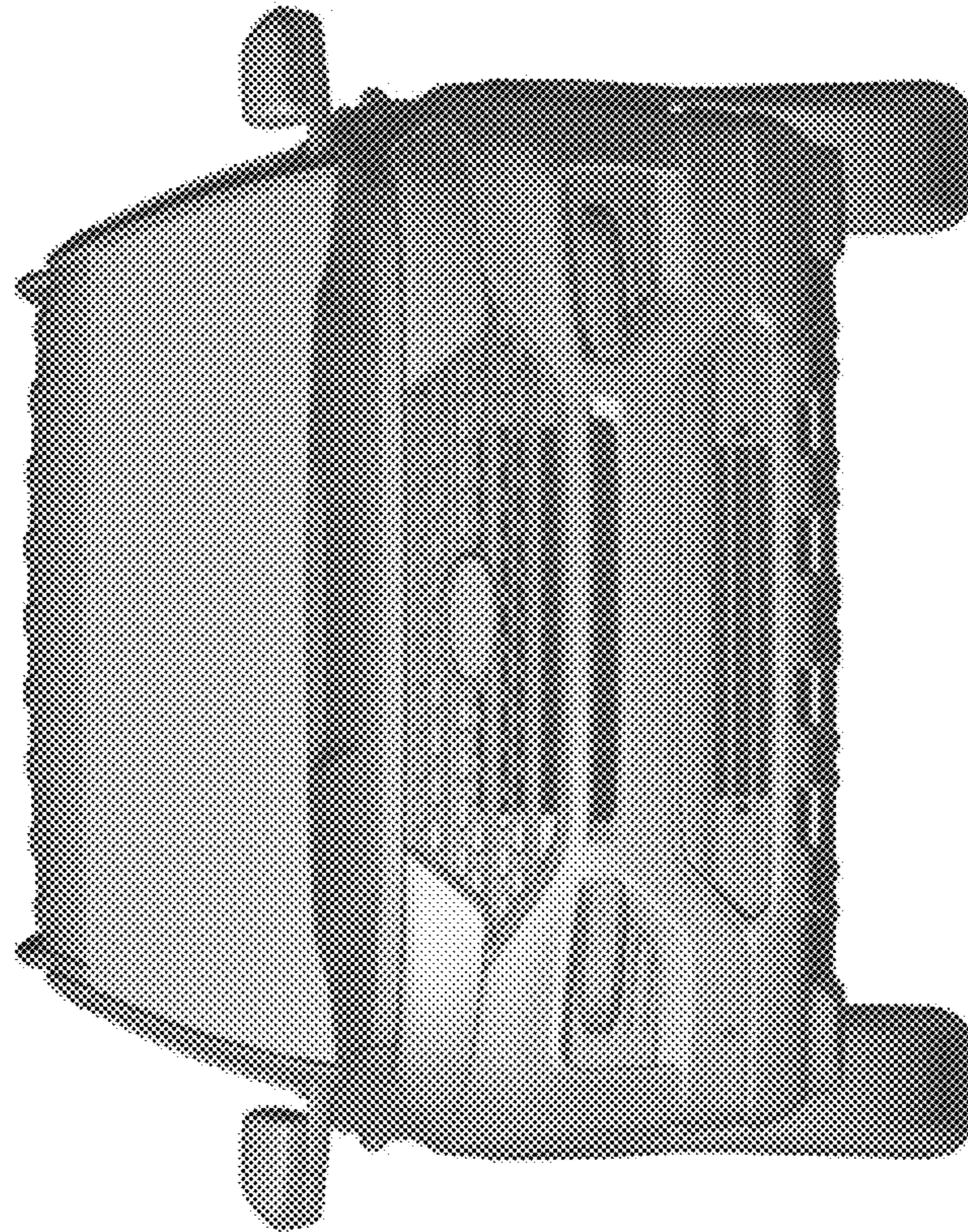


Fig. 1

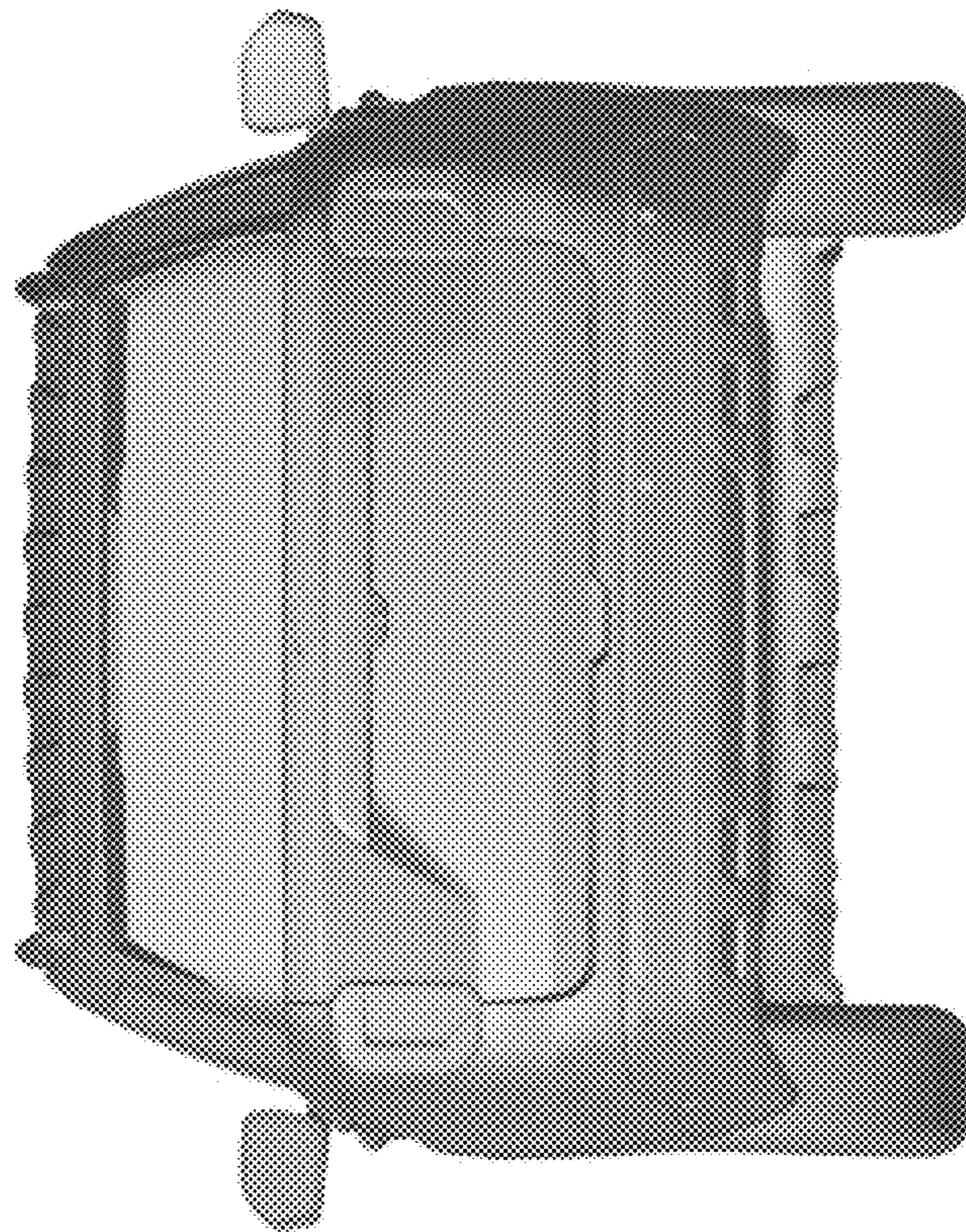


Fig. 2



Fig. 3



Fig. 4



Fig. 5



Fig. 6

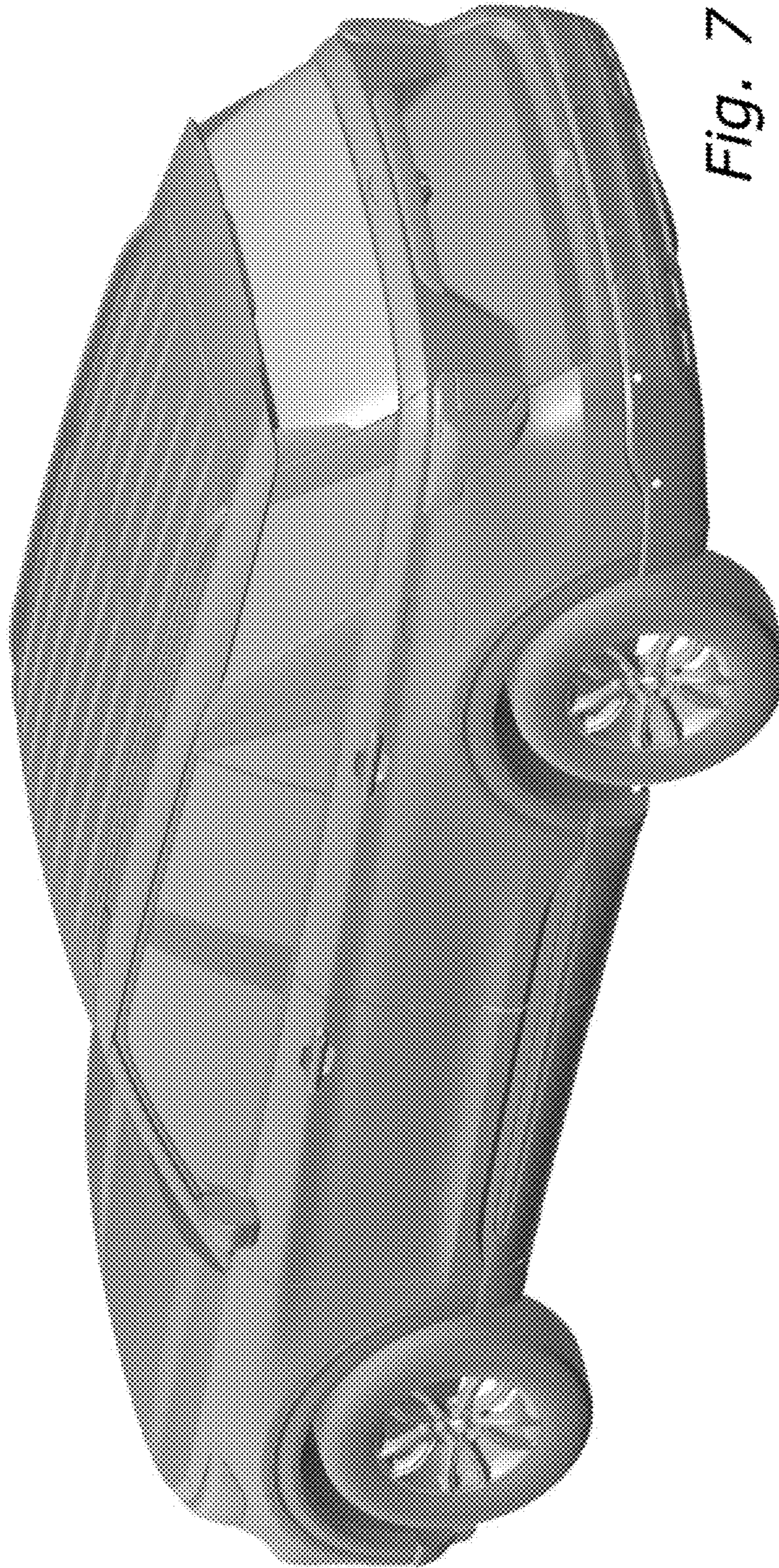


Fig. 7