



US00D881750S

(12) **United States Design Patent**
Hung

(10) **Patent No.:** **US D881,750 S**

(45) **Date of Patent:** **** Apr. 21, 2020**

(54) **SLIDER**

Primary Examiner — Kevin K Rudzinski

Assistant Examiner — Richard Kearney

(71) Applicant: **IDEAL FASTENER (GUANGDONG) INDUSTRIES LTD.**, Zhaoqing, Guangdong (CN)

(72) Inventor: **Franklin Chi Yen Hung**, Guangdong (CN)

(57) **CLAIM**

The ornamental design for a slider, as shown and described.

(73) Assignee: **IDEAL FASTENER (GUANGDONG) INDUSTRIES LTD.**, Zhaoqing (CN)

(**) Term: **15 Years**

DESCRIPTION

(21) Appl. No.: **29/625,870**

FIG. 1 is a front elevational view of a first embodiment of the slider;

(22) Filed: **Nov. 13, 2017**

FIG. 2 is a rear elevational view of FIG. 1;

(30) **Foreign Application Priority Data**

Sep. 26, 2017 (CN) 2017 3 0459472

FIG. 3 is a left side view of FIG. 1;

(51) **LOC (12) Cl.** **02-07**

FIG. 4 is a right side view of FIG. 1;

(52) **U.S. Cl.**

USPC **D11/221**

FIG. 5 is a top plan view of FIG. 1;

(58) **Field of Classification Search**

USPC D2/639, 705, 828, 853, 911, 946;

D3/252, 285, 298, 301, 318; D8/310;

D11/200, 201, 221

CPC A44B 19/00; A44B 19/02; A44B 19/04;

A44B 19/06; A44B 19/08; A44B 19/10;

A44B 19/24; A44B 19/26; A44B 19/28;

A44B 19/30; A44B 19/262; A44B

19/386; A44B 19/388

See application file for complete search history.

FIG. 6 is a bottom plan view of FIG. 1;

FIG. 7 is a bottom, front and left side perspective view of FIG. 1;

FIG. 8 is a top, front and right side perspective view of FIG. 1;

FIG. 9 is a bottom and rear perspective view of FIG. 1;

FIG. 10 is a front elevational view of a second embodiment of the slider;

FIG. 11 is a rear elevational view of FIG. 10;

FIG. 12 is a left side view of FIG. 10;

FIG. 13 is a right side view of FIG. 10;

FIG. 14 is a top plan view of FIG. 10;

FIG. 15 is a bottom plan view of FIG. 10;

FIG. 16 is a bottom, front and left side perspective view of FIG. 10;

FIG. 17 is a top, front and right side perspective view of FIG. 10;

FIG. 18 is a bottom and rear perspective view of FIG. 10; and,

FIG. 19 is another bottom and rear perspective view of FIG. 10.

The broken lines in the drawings illustrate portions of the slider which form no part of the claimed design.

(56) **References Cited**

U.S. PATENT DOCUMENTS

2,373,523 A * 4/1945 Winterhalter A44B 19/30

24/421

4,525,903 A * 7/1985 Ishii A44B 19/26

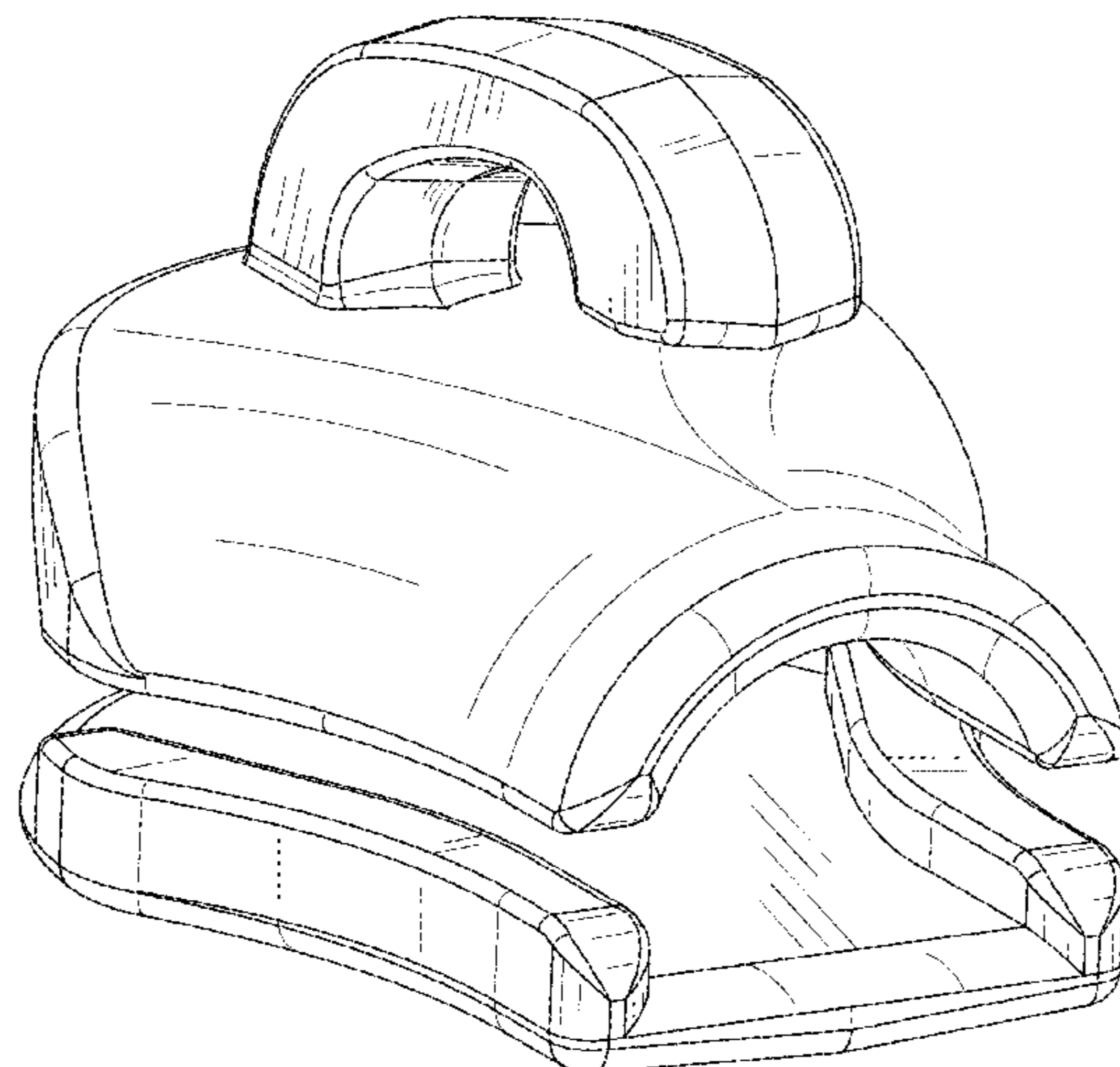
24/429

4,570,309 A * 2/1986 Ishii A44B 19/26

24/429

(Continued)

1 Claim, 19 Drawing Sheets



(56)

References Cited

U.S. PATENT DOCUMENTS

5,551,129 A * 9/1996 Chu A44B 19/26
24/419
5,568,674 A * 10/1996 Harada A44B 19/26
24/429
5,621,954 A * 4/1997 Mizuno A44B 19/26
24/429
5,864,928 A * 2/1999 Matsushima A44B 19/26
24/421
D497,836 S * 11/2004 Iwase D11/221
D499,668 S * 12/2004 Iwase D11/221
D556,088 S * 11/2007 Cossutti D11/221
D558,091 S * 12/2007 Cossutti D11/221
D579,379 S * 10/2008 Lin D11/221
D631,790 S * 2/2011 Keyaki D11/221
D643,332 S * 8/2011 Iwase D11/221
D643,333 S * 8/2011 Iwase D11/221
D643,777 S * 8/2011 Iwase D11/221
D643,779 S * 8/2011 Di Girolami D11/221
D673,076 S * 12/2012 Hsiang D11/221
D705,124 S * 5/2014 Wang D11/221
D741,750 S * 10/2015 Ng D11/221
D778,781 S * 2/2017 Wang D11/221
D804,989 S * 12/2017 Hung D11/221
D830,895 S * 10/2018 Hung D11/221
2003/0079317 A1 * 5/2003 Oda A44B 19/26
24/429
2016/0095393 A1 * 4/2016 Lin A44B 19/26
24/403
2019/0159556 A1 * 5/2019 Lin A44B 19/26

* cited by examiner

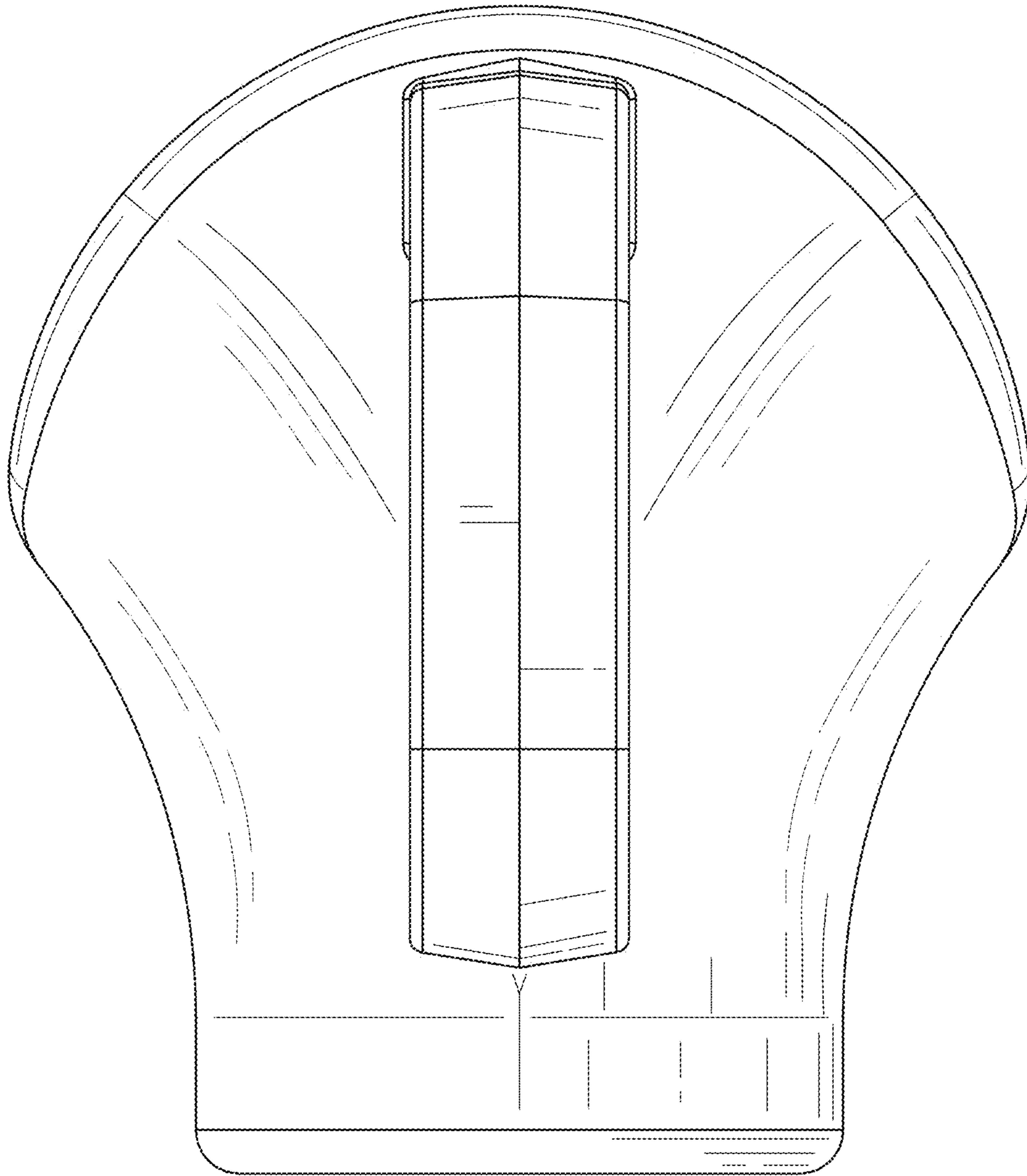


Fig. 1

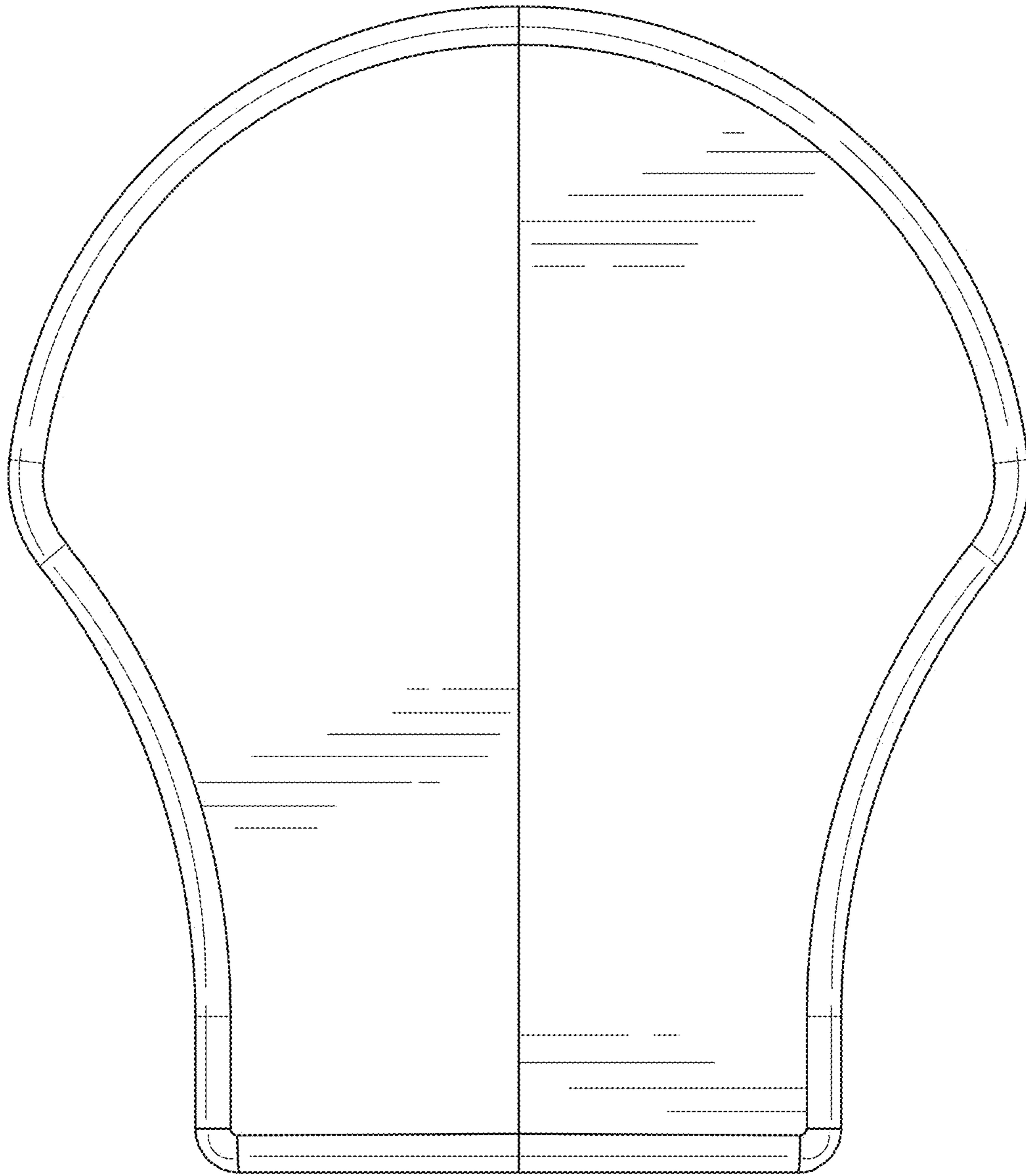


Fig. 2

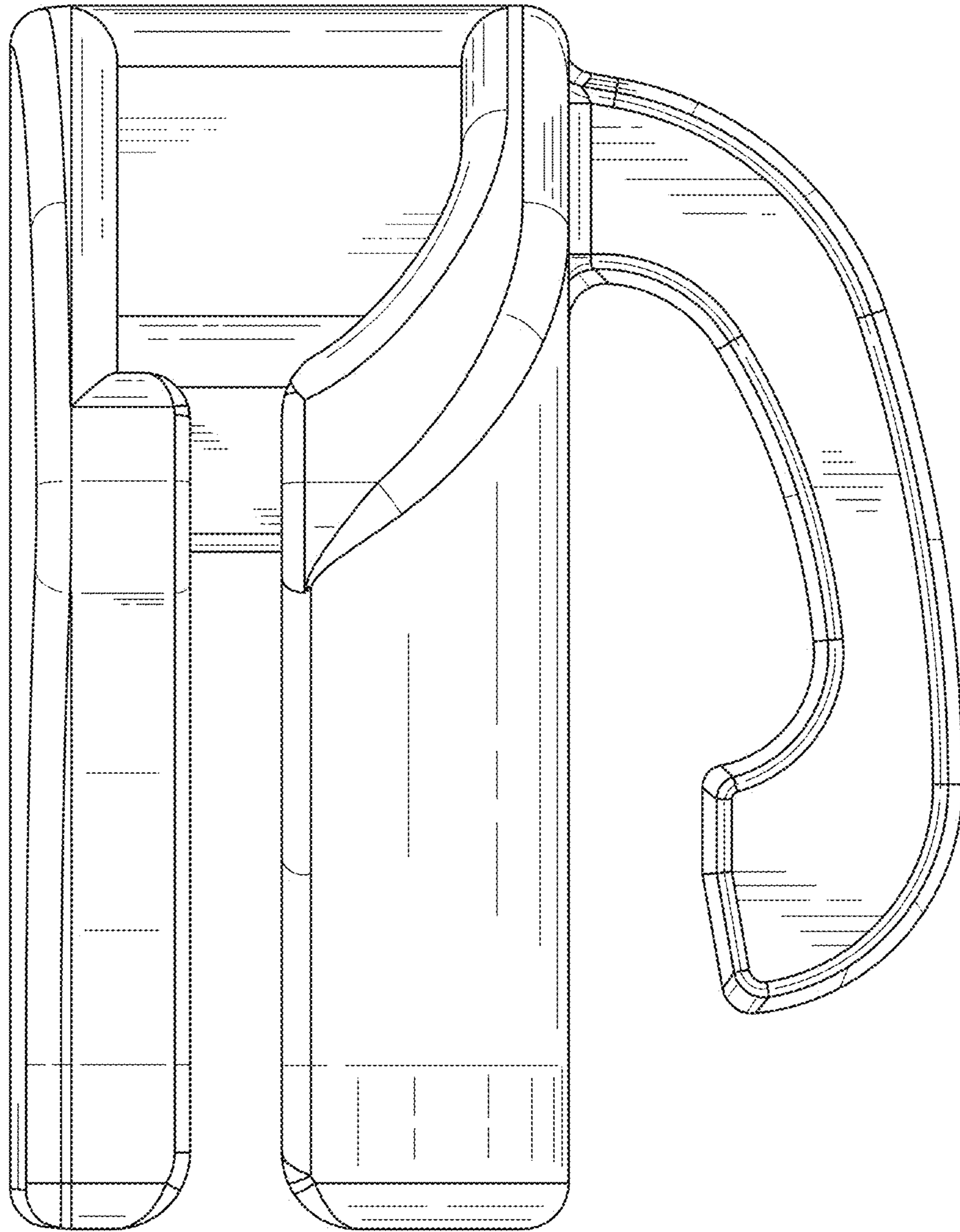


Fig. 3

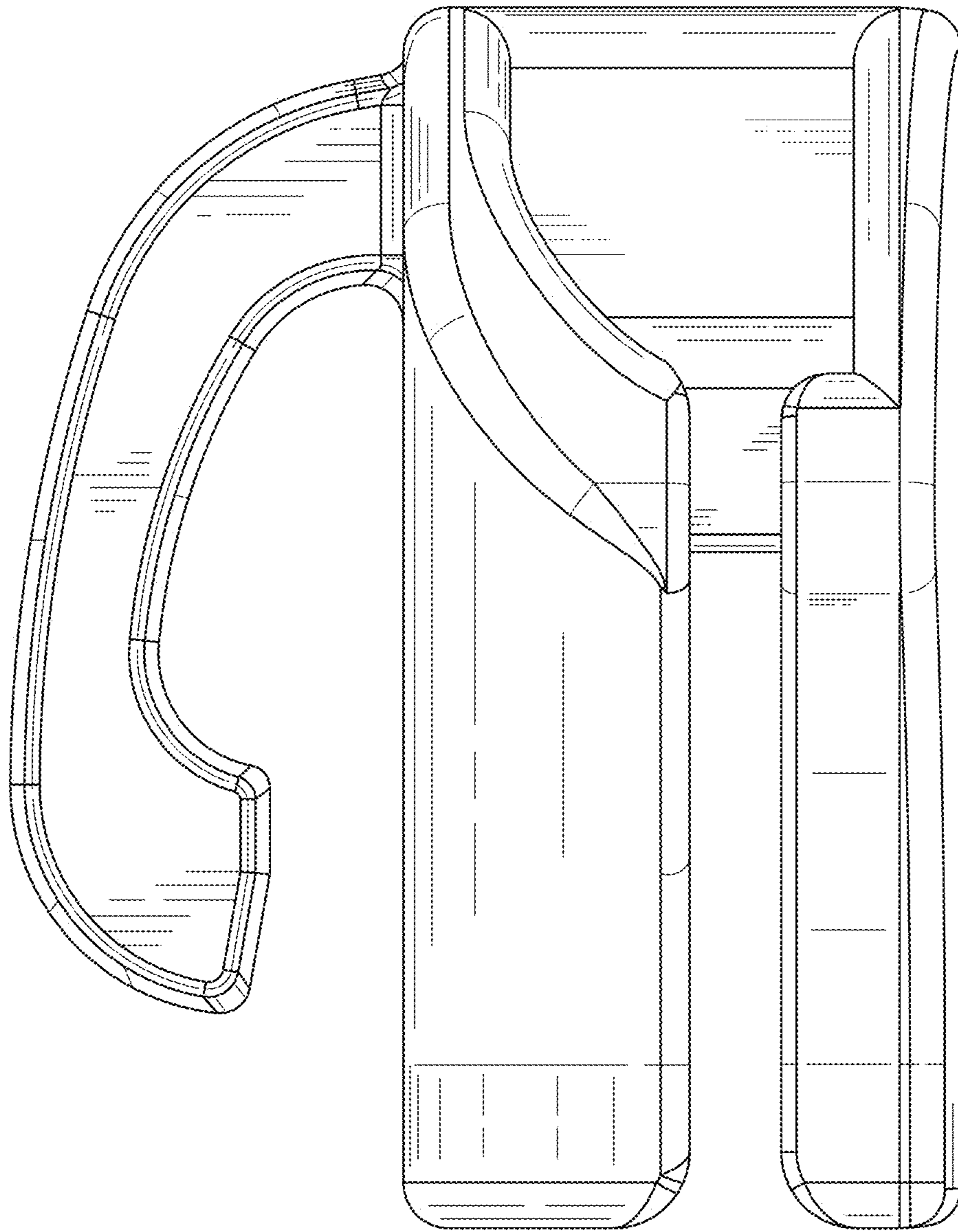


Fig. 4

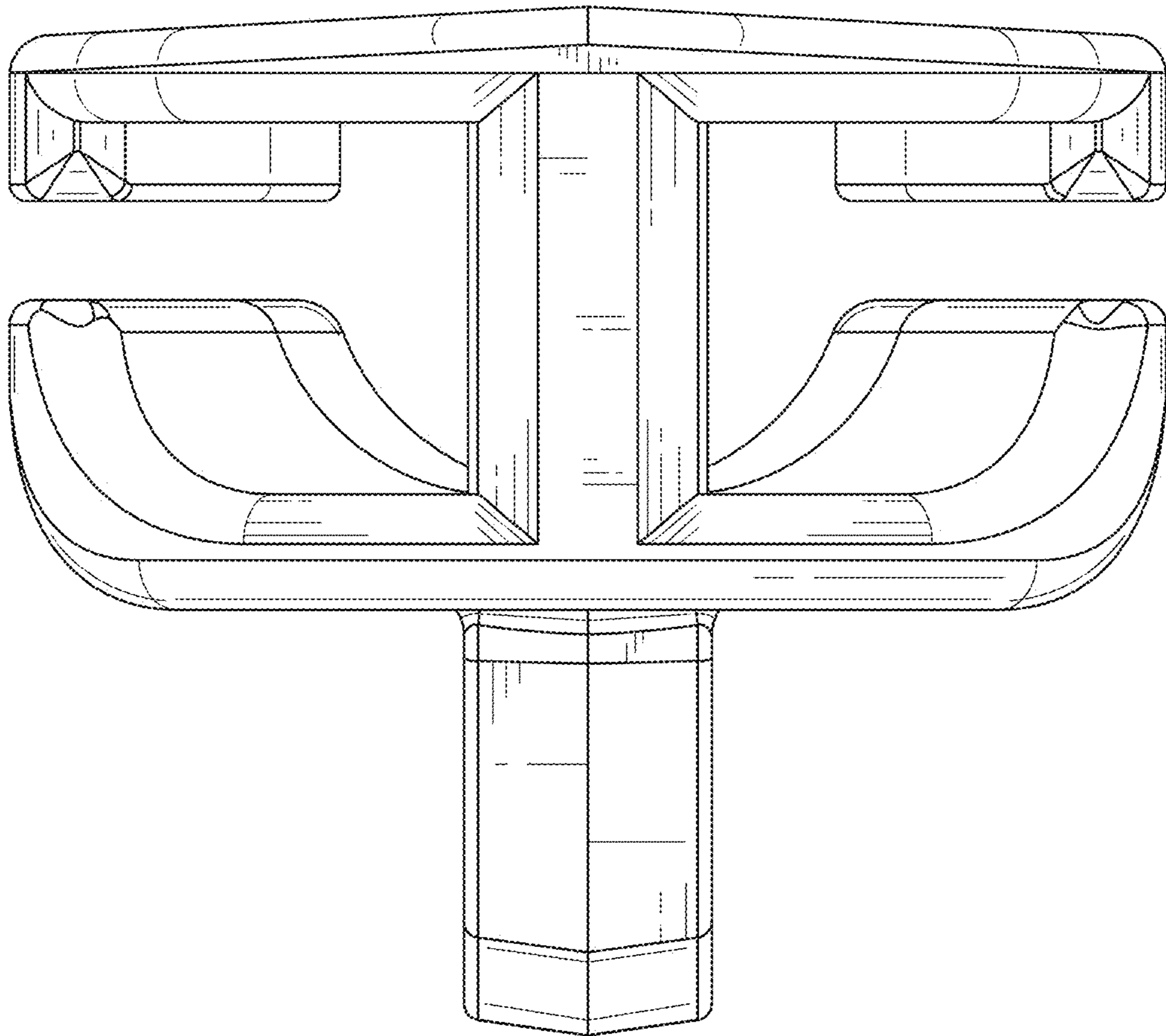


Fig. 5

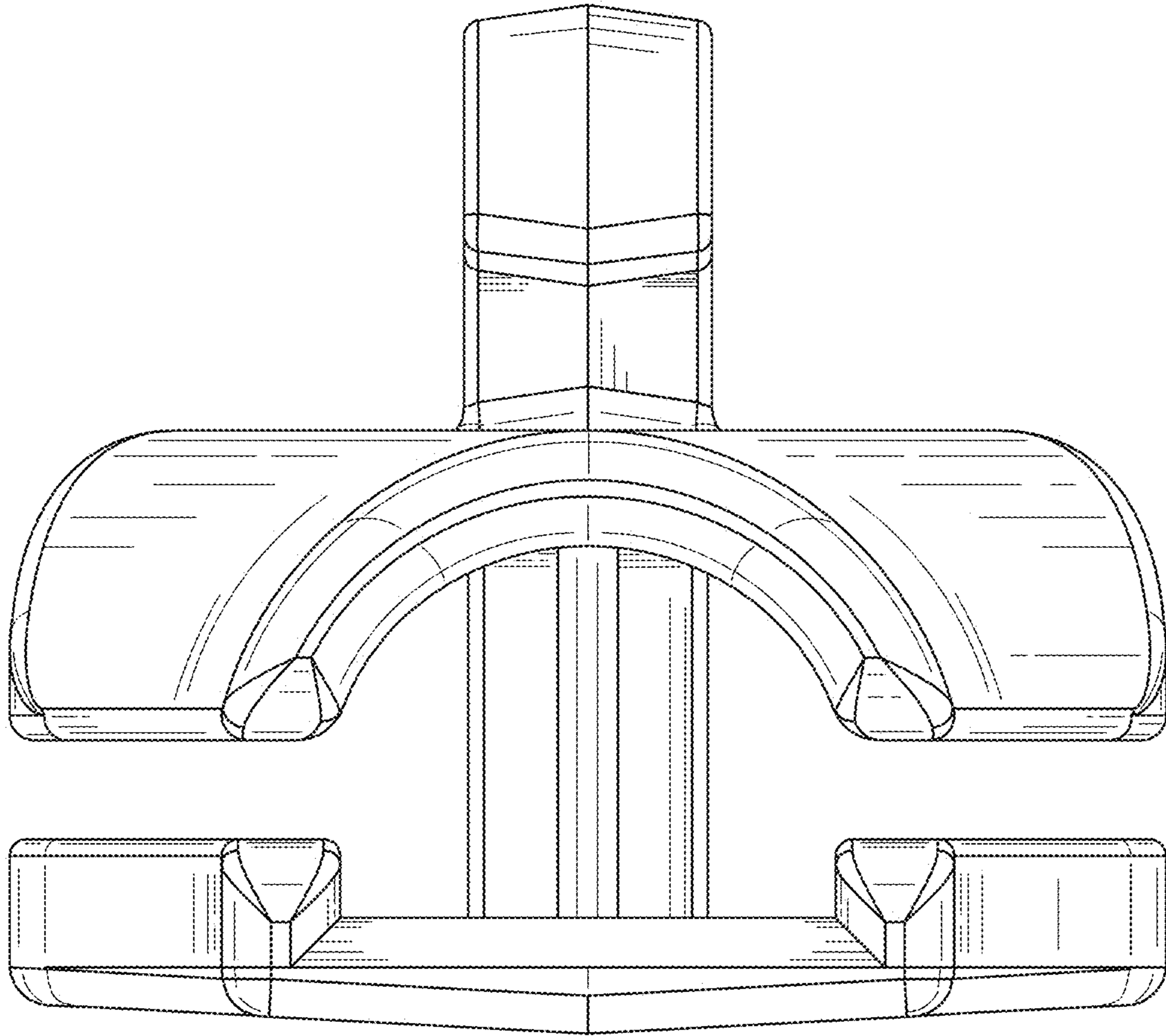


Fig. 6

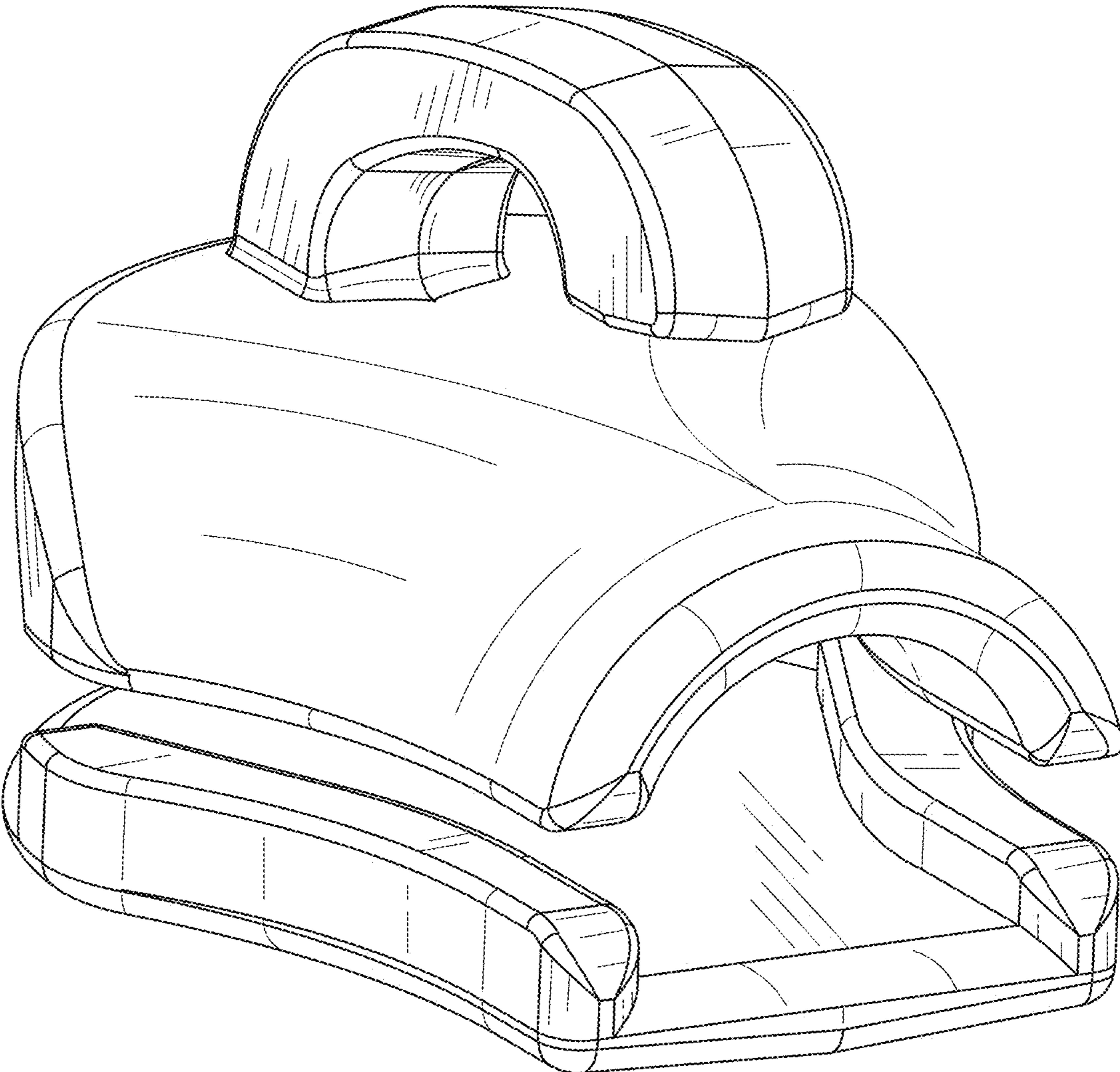


Fig. 7

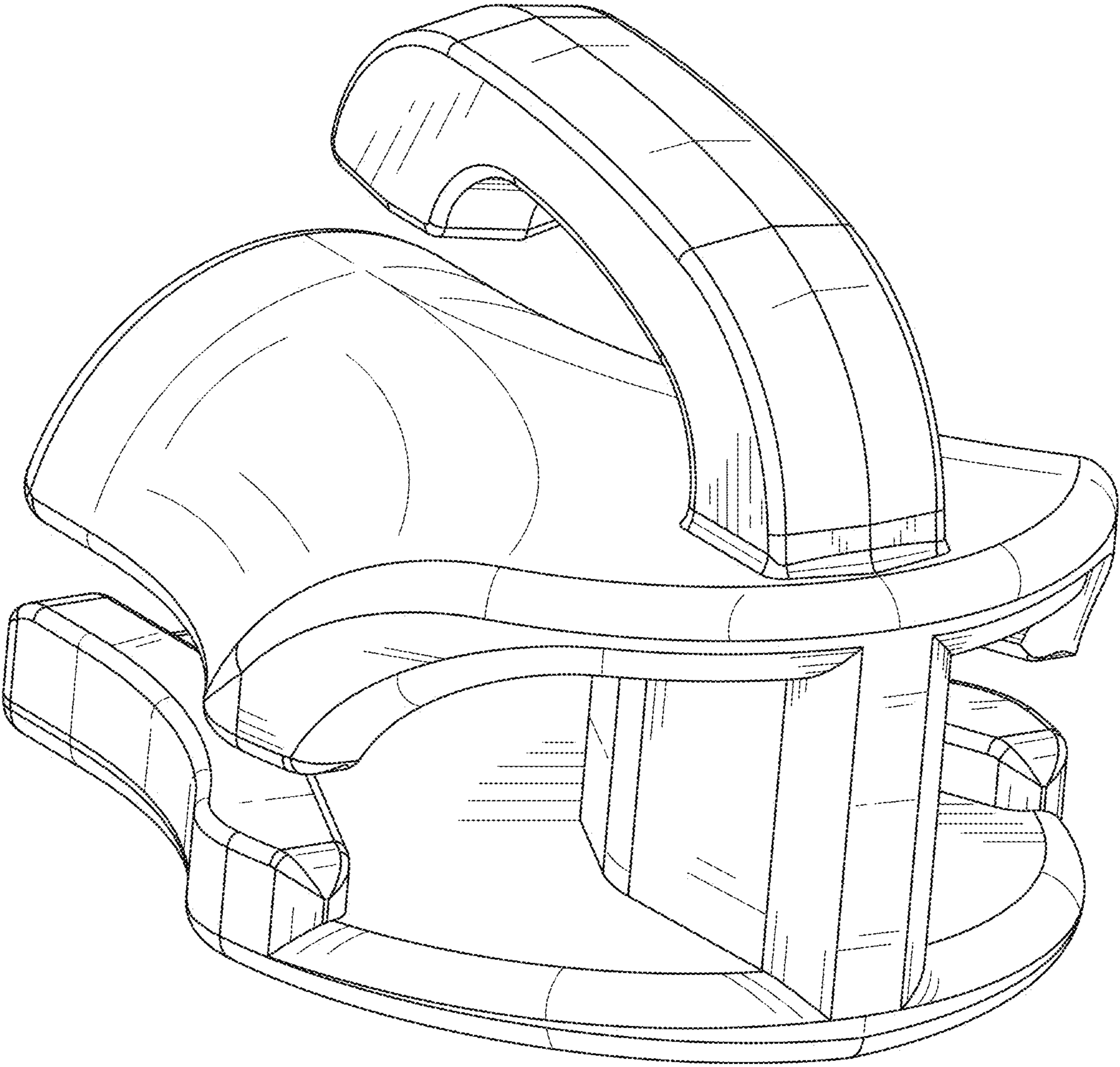


Fig. 8

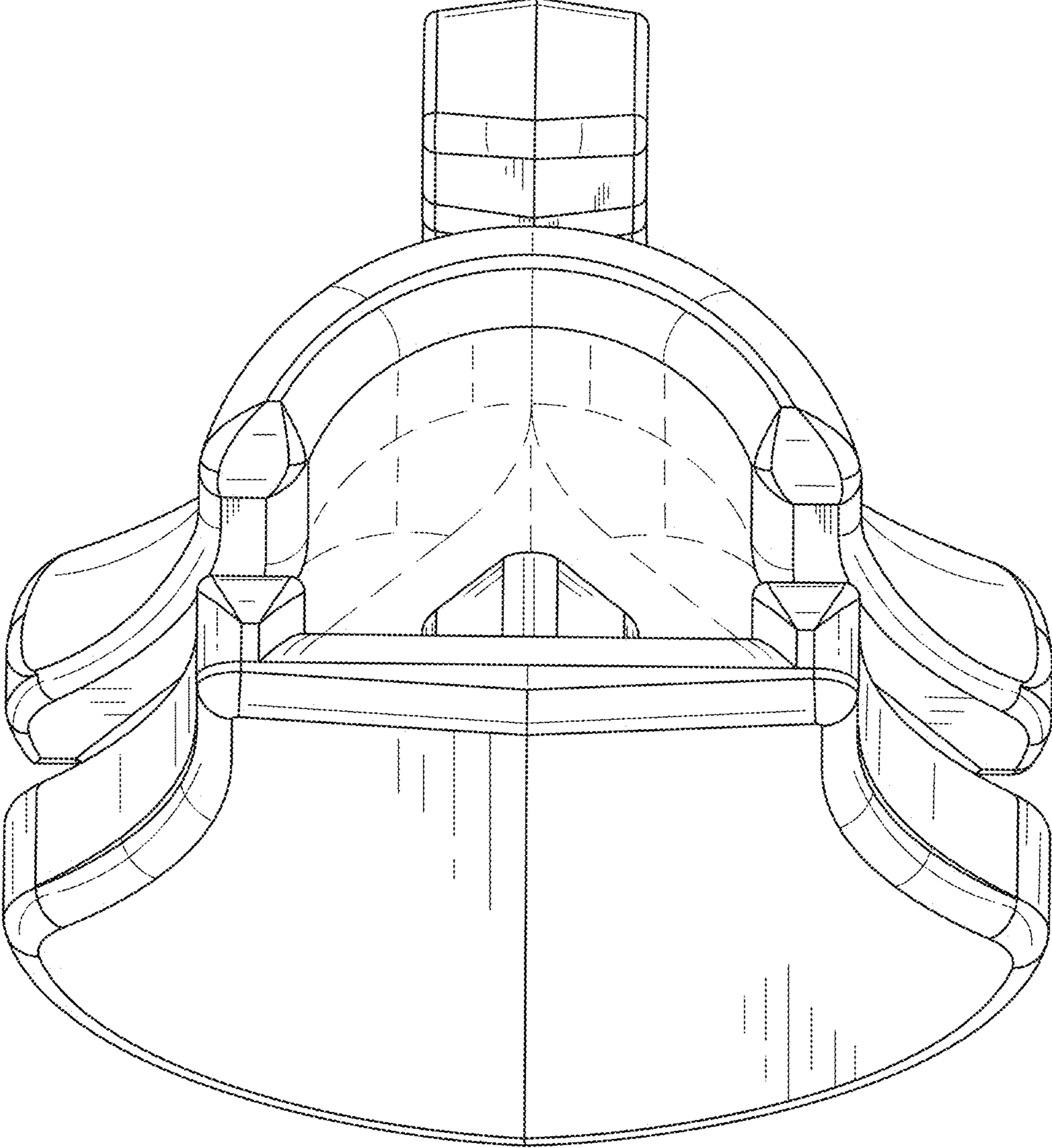


Fig. 9

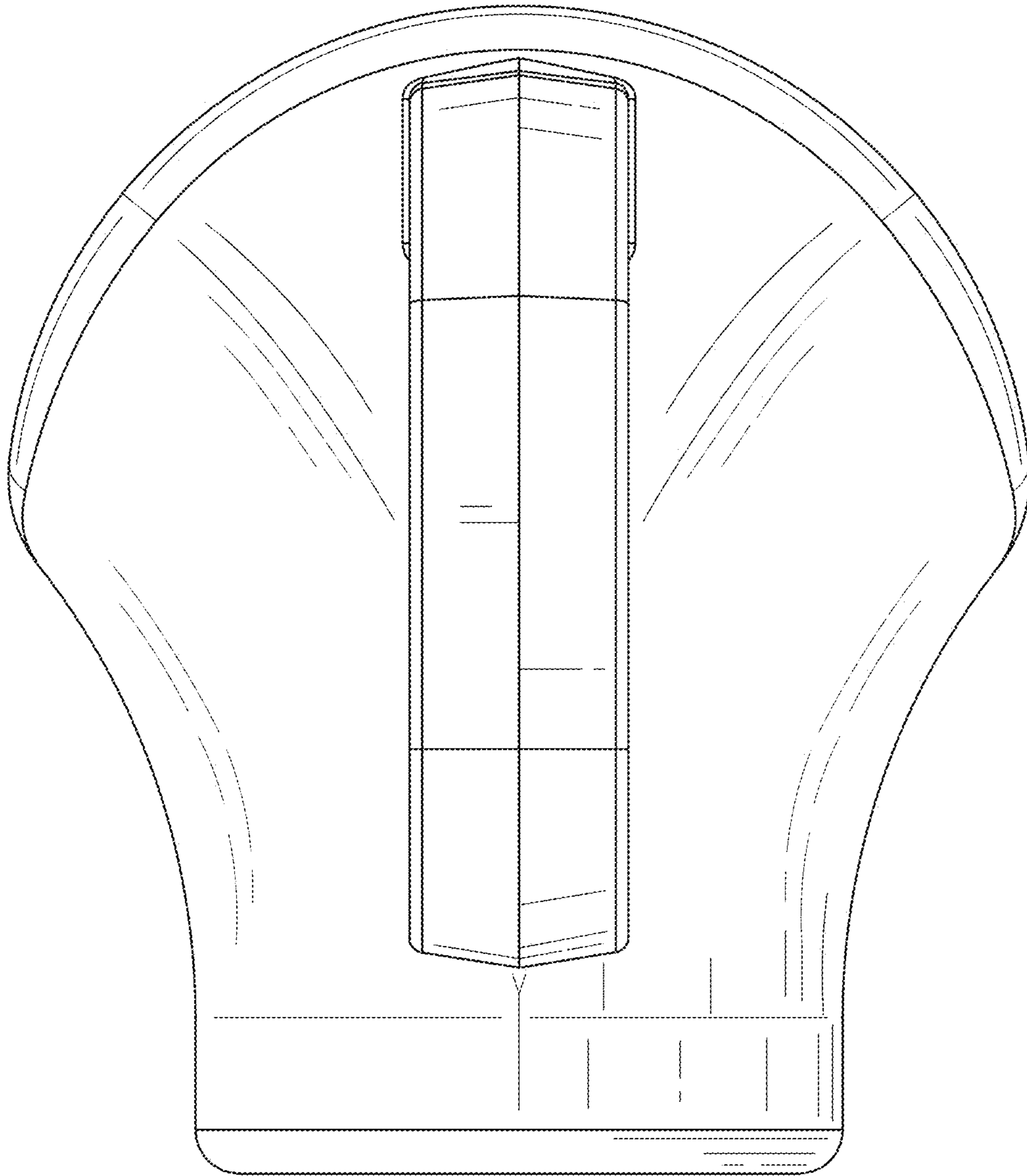


Fig. 10

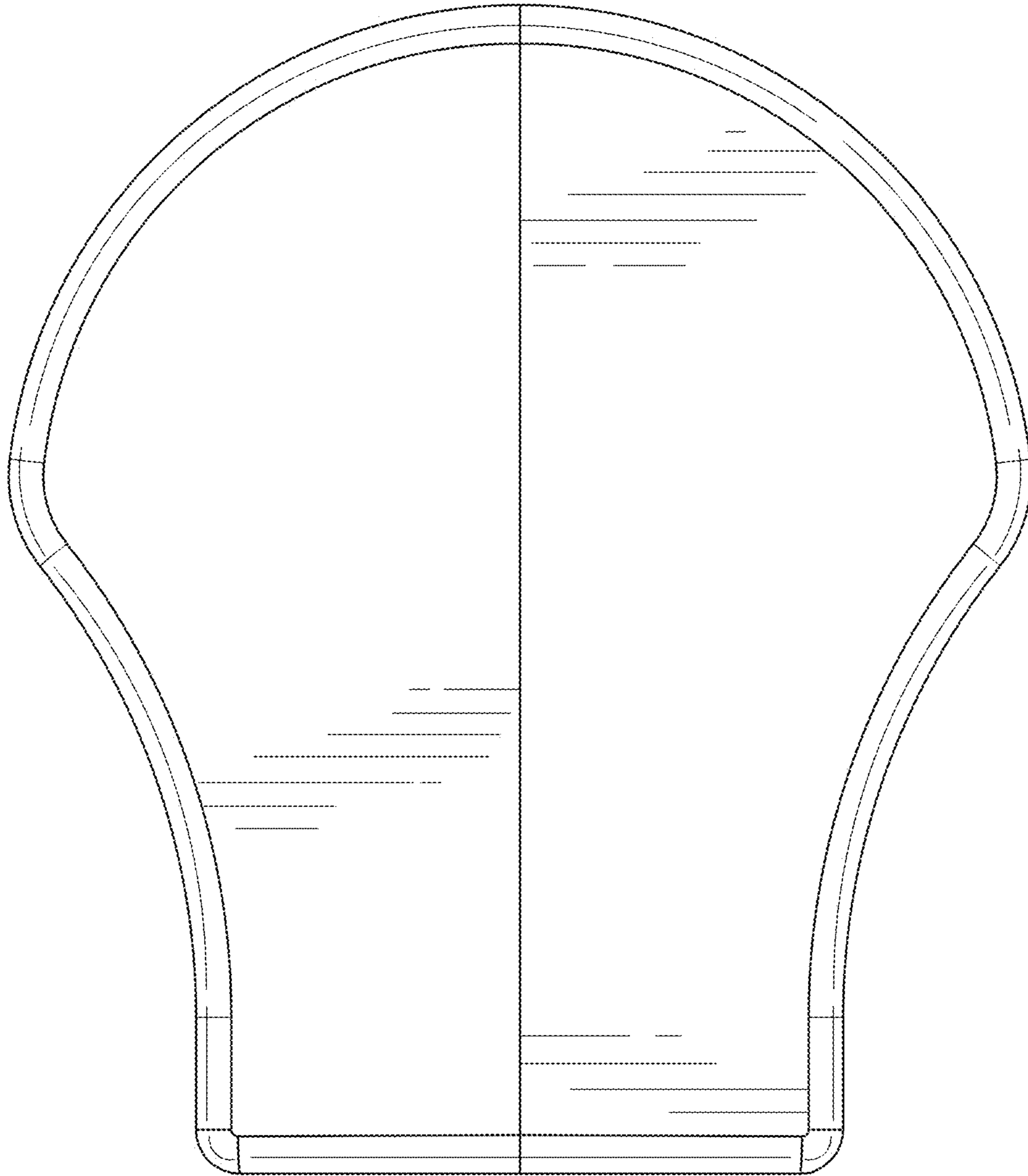


Fig. 11

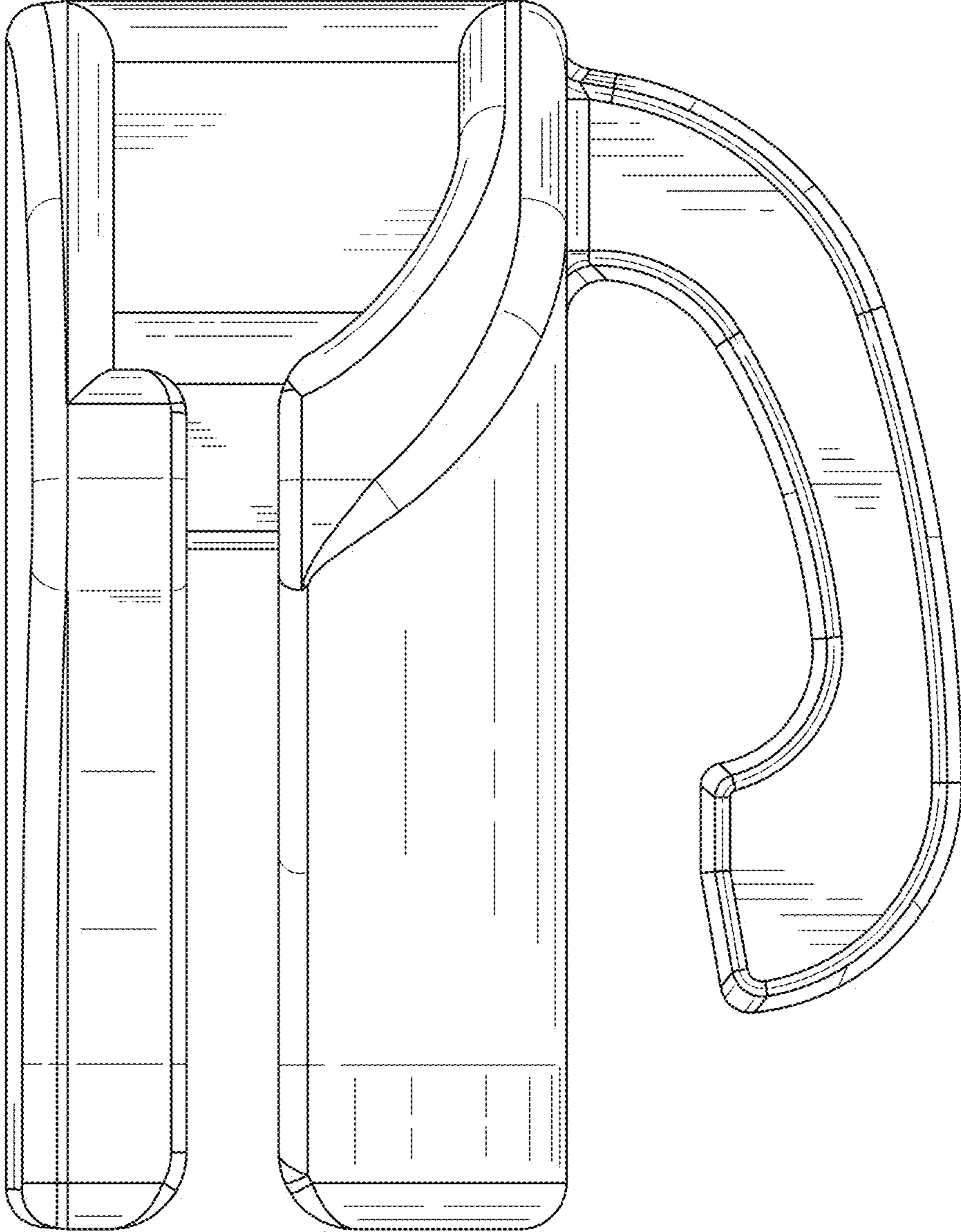


Fig. 12

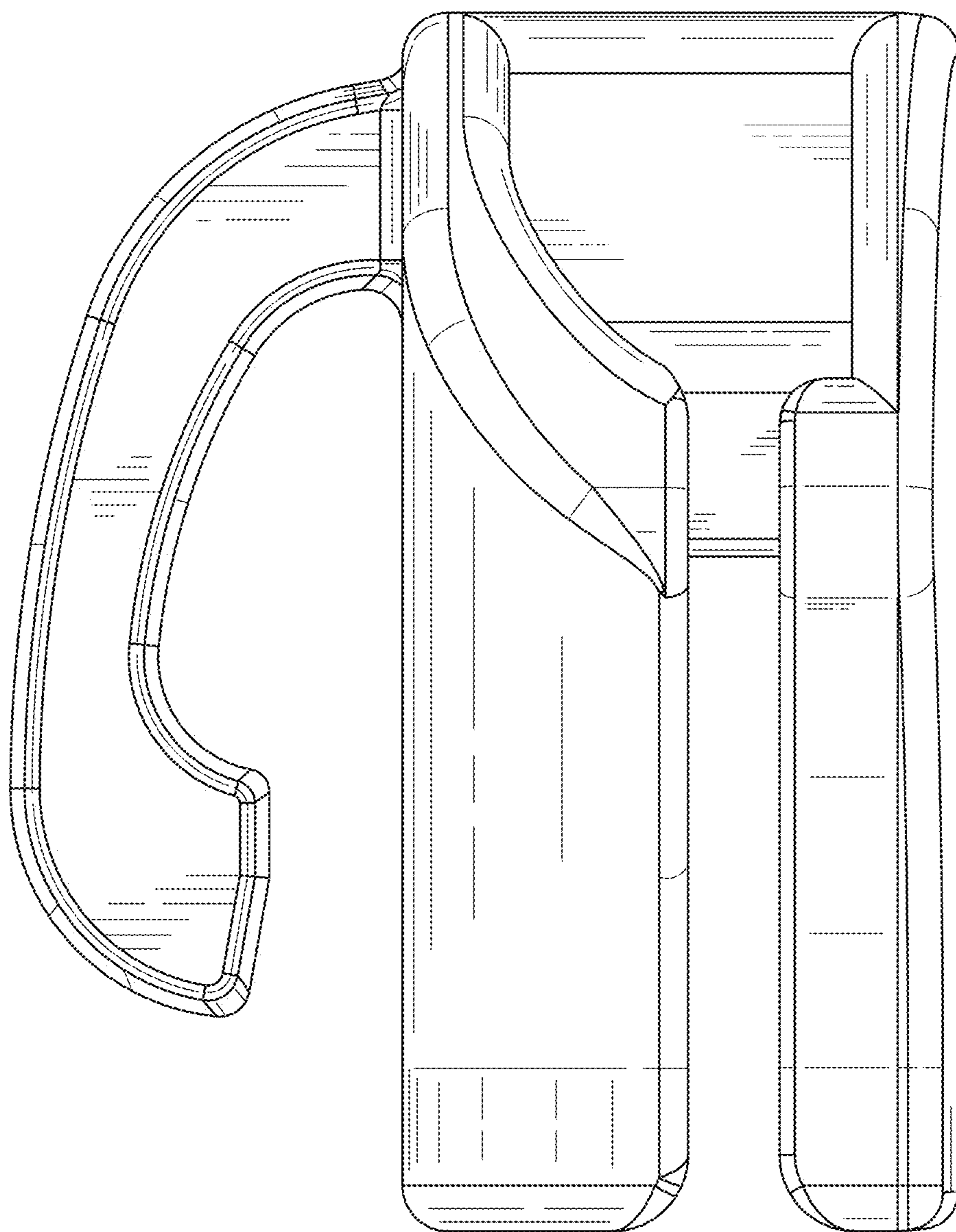


Fig. 13

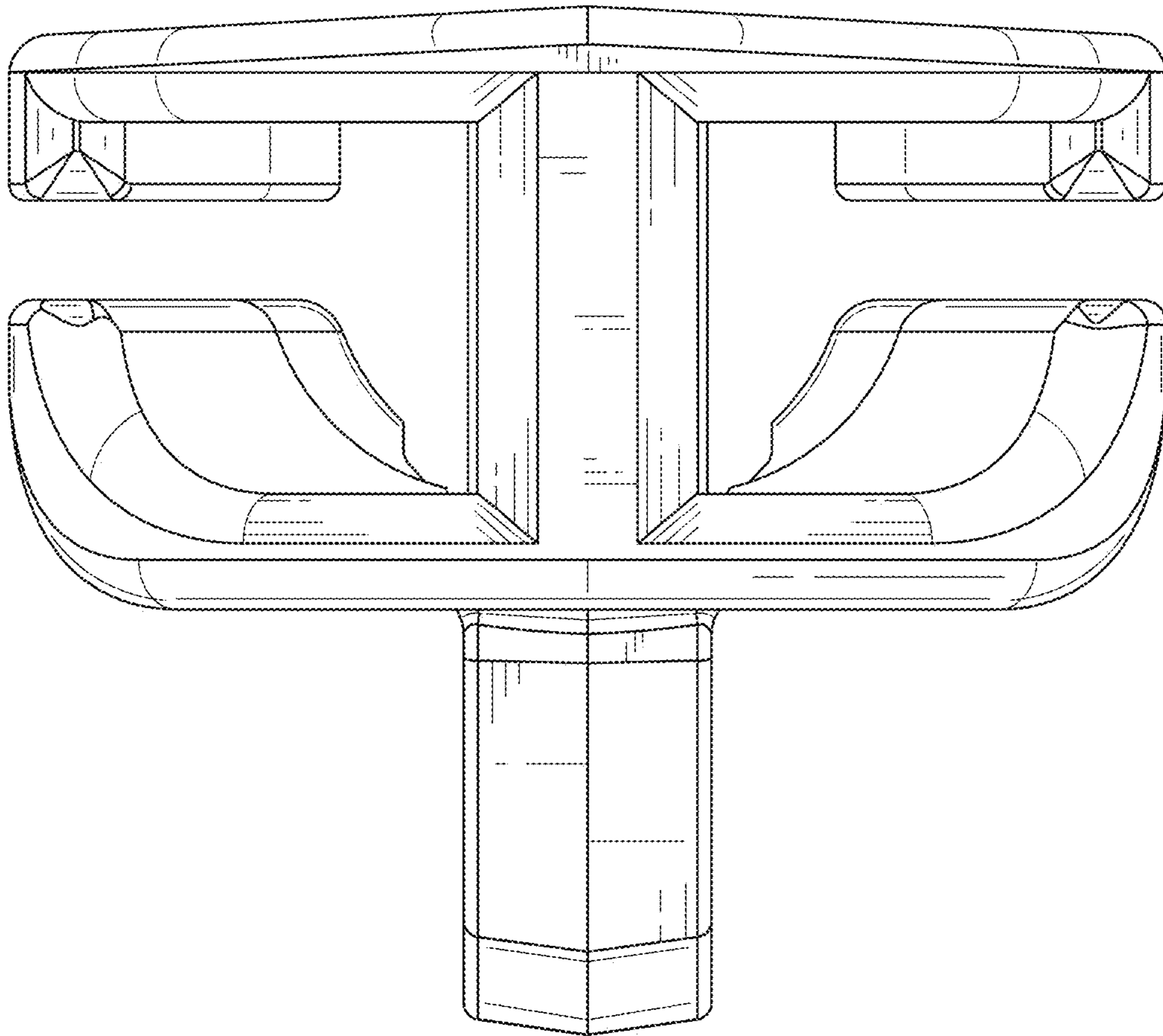


Fig. 14

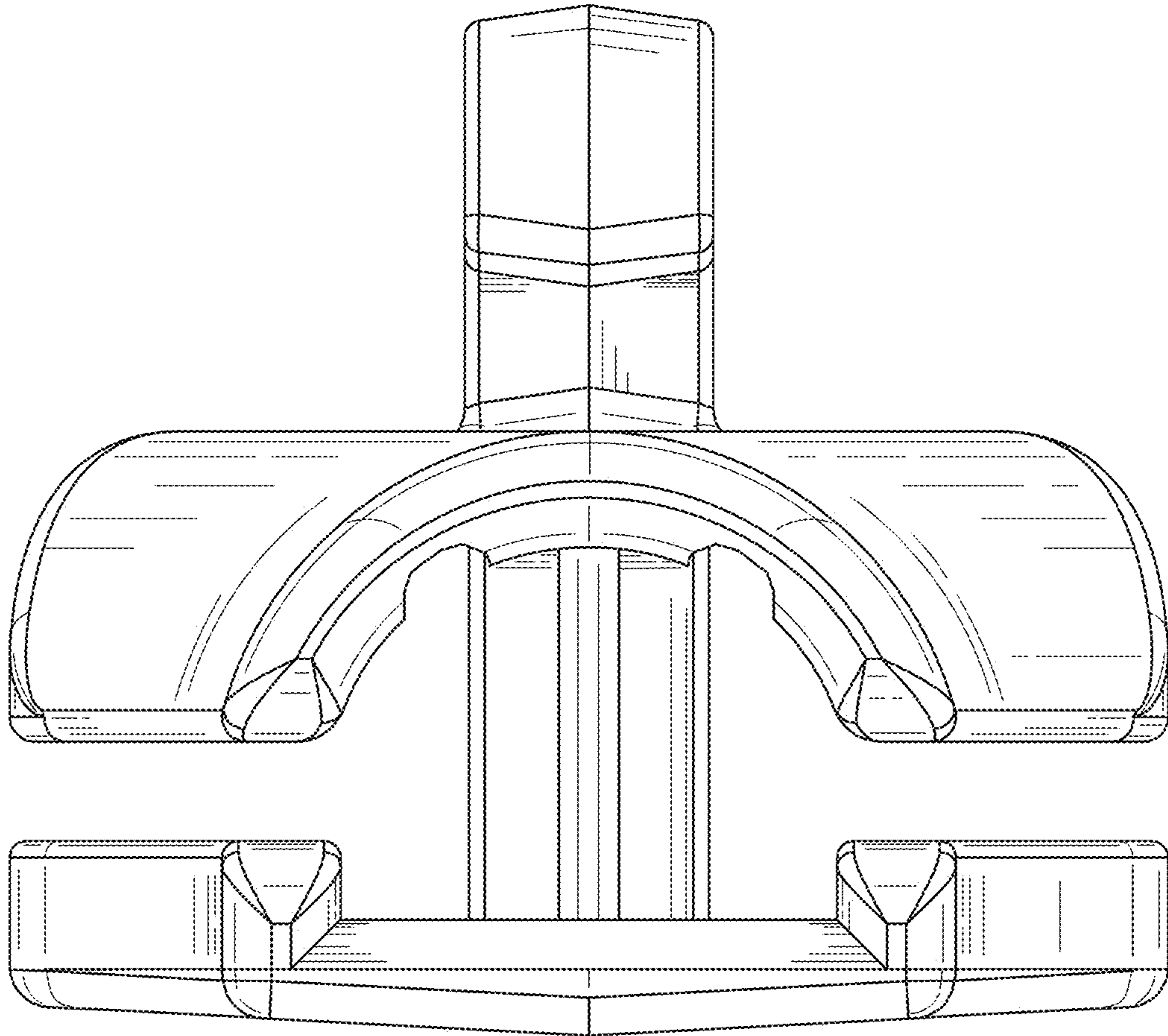


Fig. 15

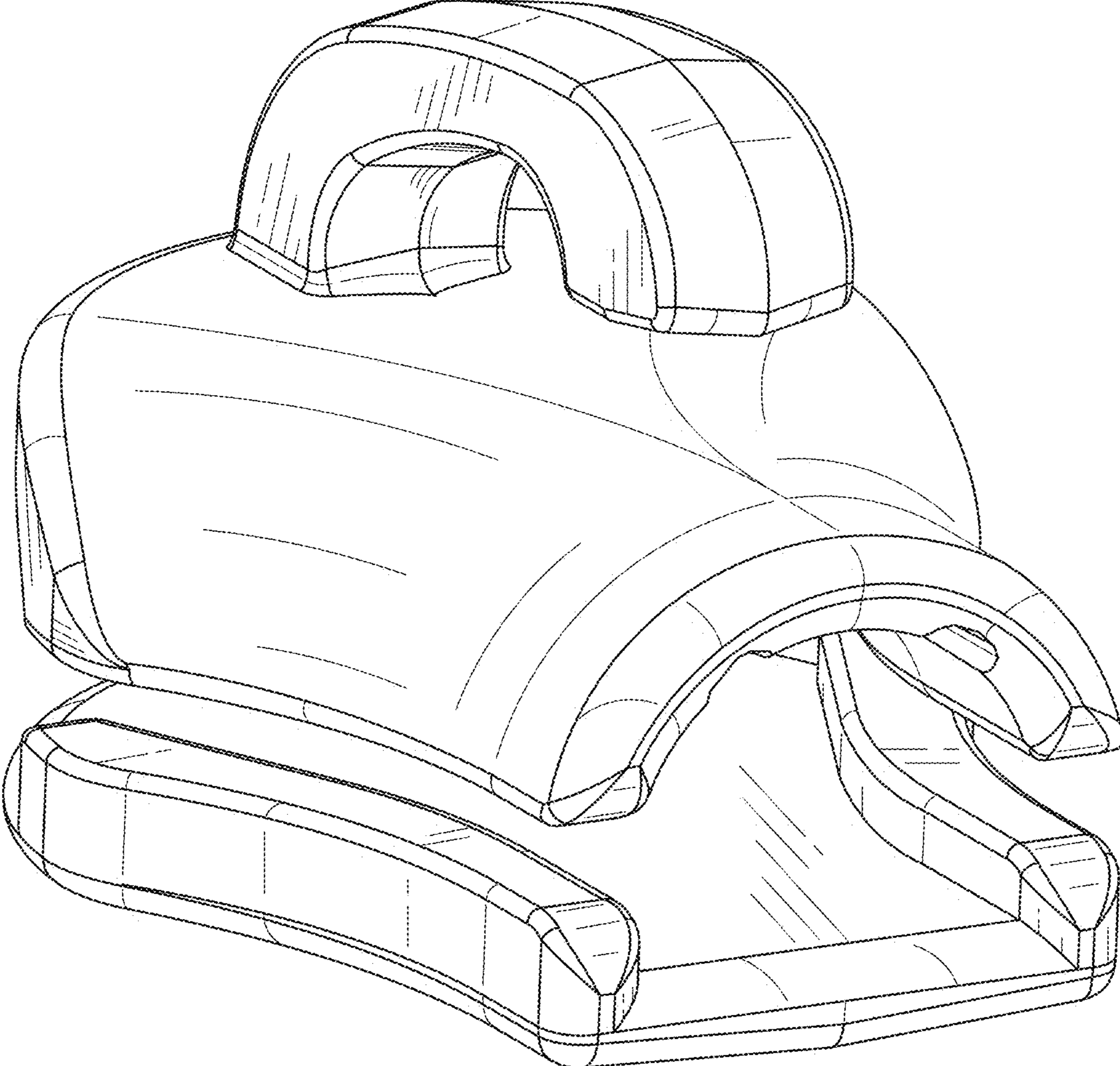


Fig. 16

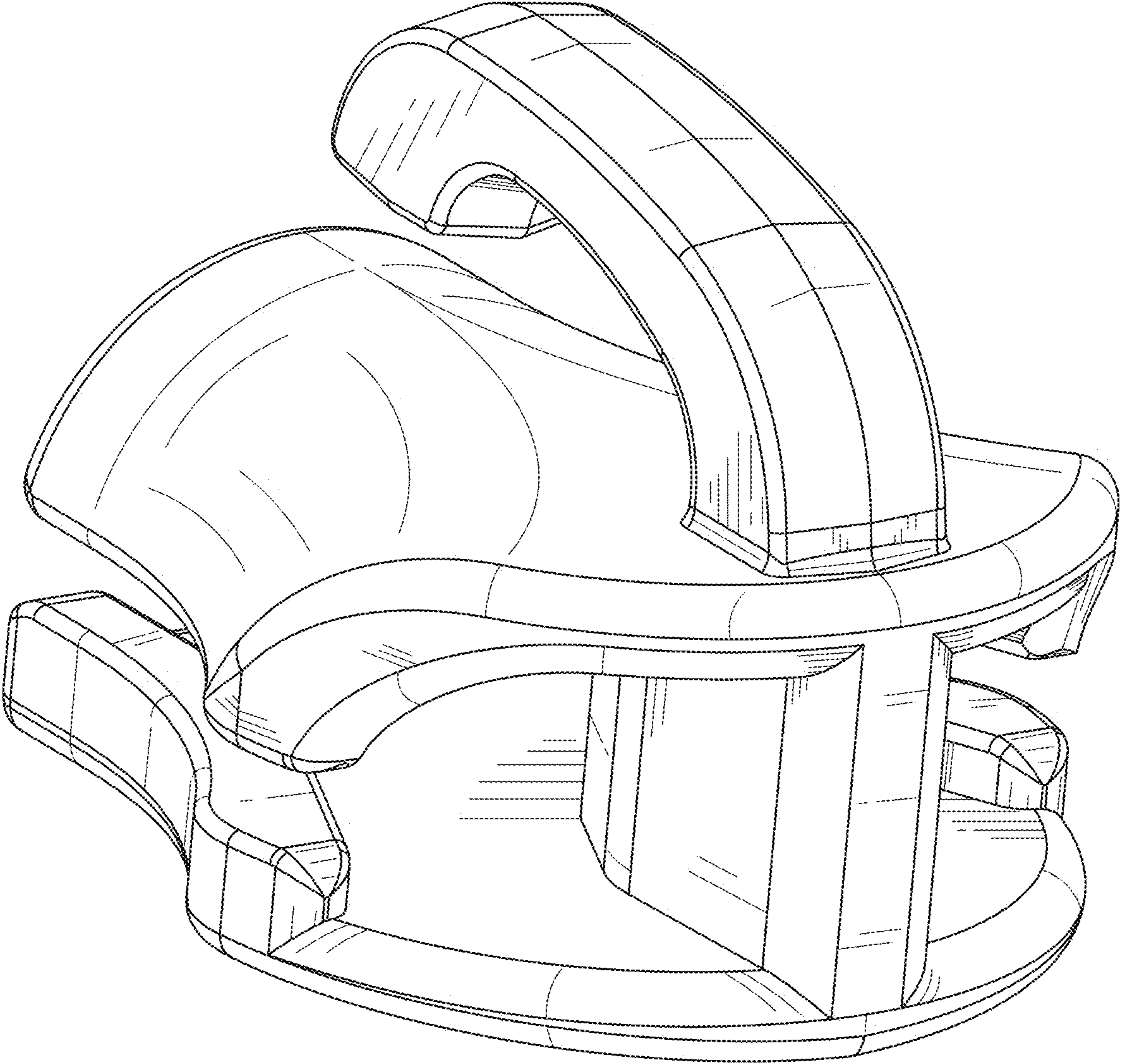


Fig. 17

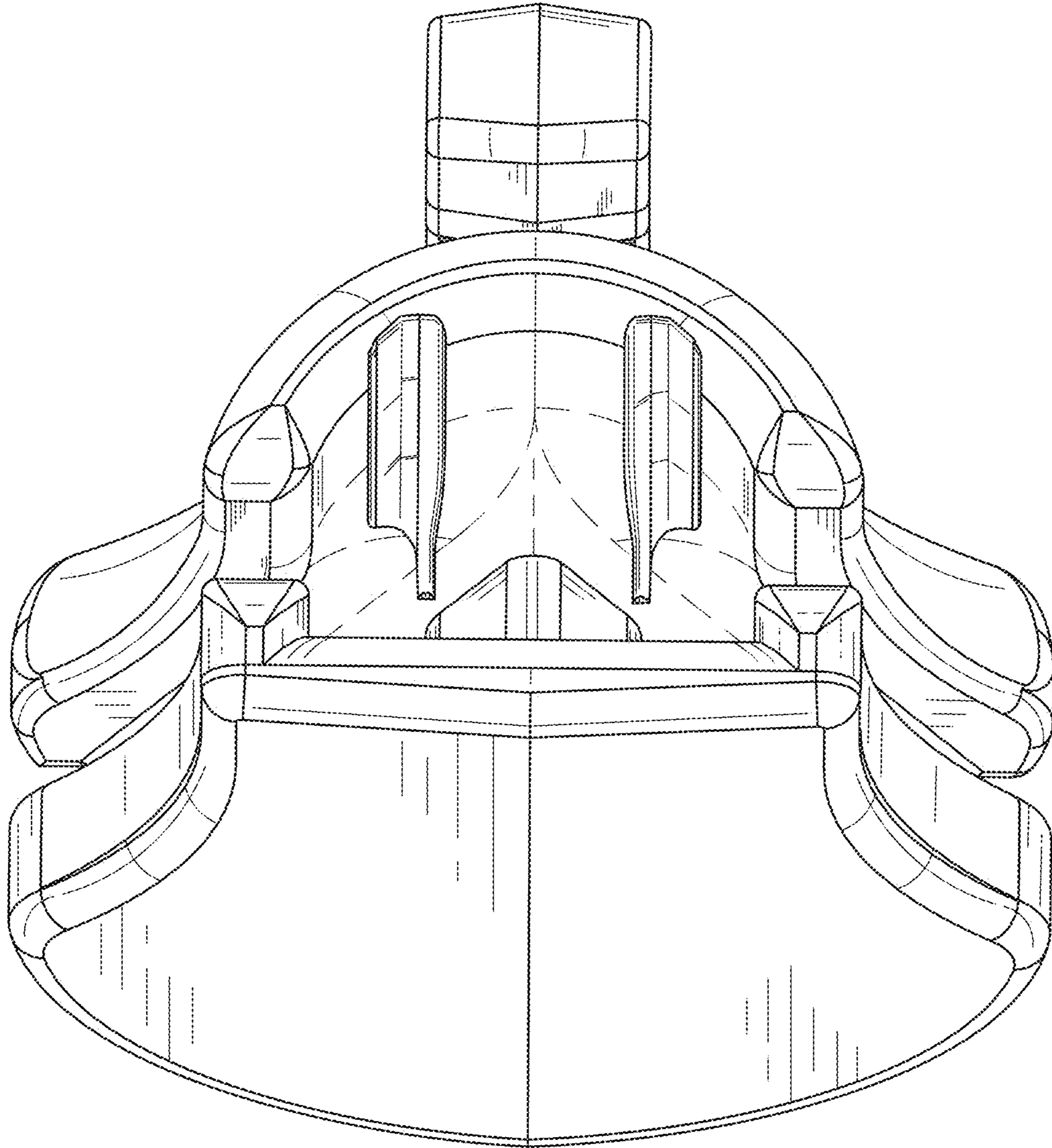


Fig. 18

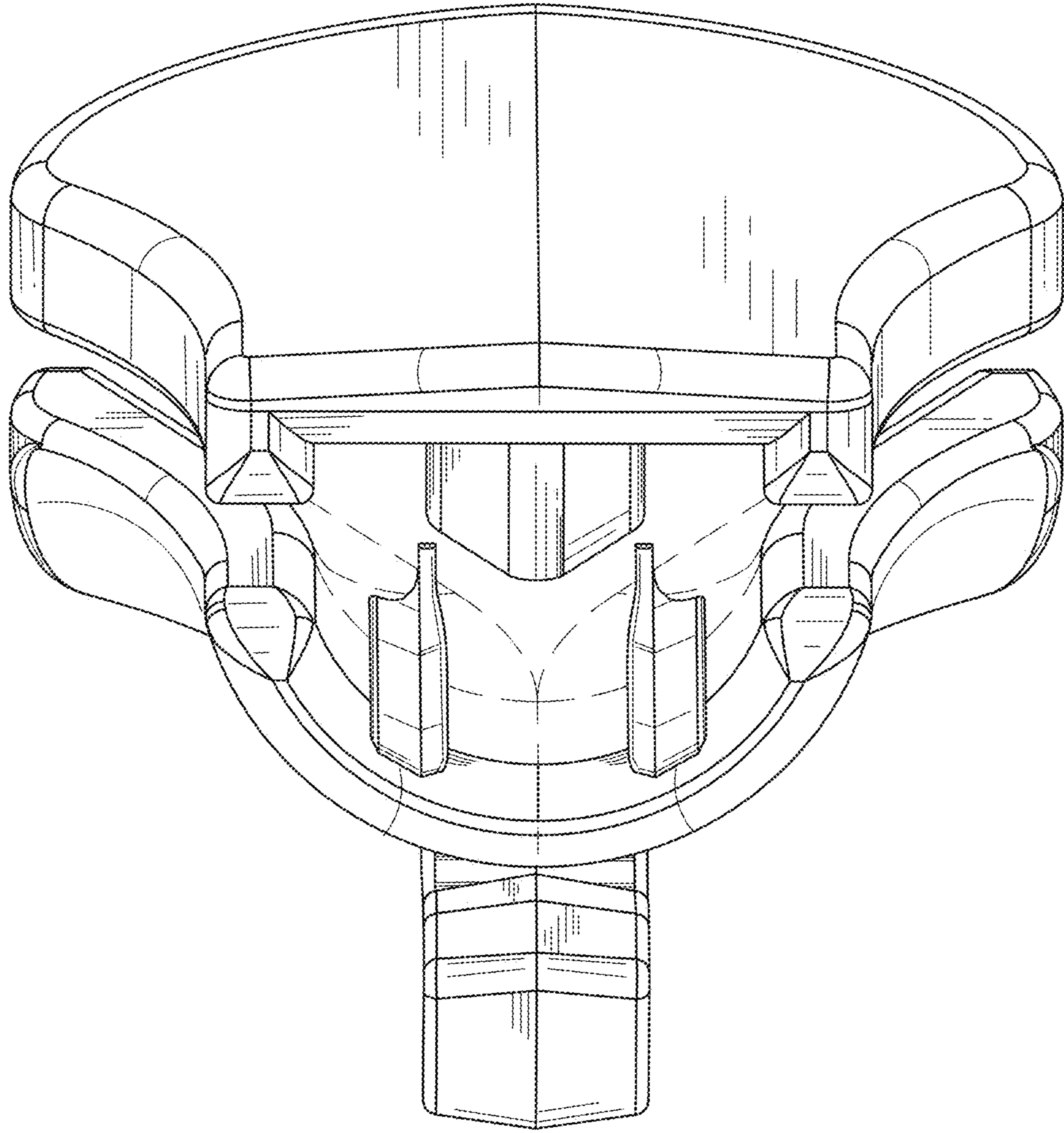


Fig. 19