



US00D881749S

(12) **United States Design Patent** (10) **Patent No.:** **US D881,749 S**
Shaw (45) **Date of Patent:** **** Apr. 21, 2020**

(54) **PLANTER** D853,273 S * 7/2019 Shaw, Jr. D11/152
D853,274 S * 7/2019 Shaw, Jr. D11/152
(71) Applicant: **Crawford Shaw**, Atlanta, GA (US) 2005/0005516 A1* 1/2005 Schmidt A01G 9/021
47/65.5
(72) Inventor: **Crawford Shaw**, Atlanta, GA (US) 2008/0115414 A1 5/2008 Hogan
2009/0249688 A1* 10/2009 Cameron A01G 9/02
47/65.7
(73) Assignee: **In the Black Revocable Trust**, Dallas, TX (US) 2011/0083365 A1* 4/2011 Nobbe A01G 9/021
47/65.7
2019/0200538 A1* 7/2019 Middleton A01G 9/021

(**) Term: **15 Years**
(21) Appl. No.: **29/653,831**
(22) Filed: **Jun. 19, 2018**
(51) **LOC (12) Cl.** **11-02**
(52) **U.S. Cl.**
USPC **D11/164**
(58) **Field of Classification Search**
USPC D11/164, 143, 144, 146; 111/100, 200,
111/905
CPC A01G 9/021; A01G 9/028
See application file for complete search history.

(56) **References Cited**
U.S. PATENT DOCUMENTS
D20,336 S * 11/1890 Whilldin D11/152
D253,757 S * 12/1979 Cone D11/153
4,593,490 A 6/1986 Bodine
D422,936 S * 4/2000 Tsou D11/152
D503,654 S * 4/2005 Harbaugh D11/151
D511,477 S * 11/2005 Hensen D11/153
D515,970 S * 2/2006 Hensen D11/153
D573,060 S * 7/2008 White D11/152
D631,390 S * 1/2011 Izardel D11/144
D642,957 S * 8/2011 Eckert D11/153
8,434,261 B2* 5/2013 Nobbe A01G 9/021
47/65.7
D819,488 S * 6/2018 Beesley D11/152
D819,490 S * 6/2018 Ryan D11/153
D820,149 S * 6/2018 Tao D11/152
D821,258 S * 6/2018 Tao D11/152
D832,135 S * 10/2018 Gentile D11/152

FOREIGN PATENT DOCUMENTS

DE 201420102995 7/2014
FR 9913946 A 11/1999
KR 20130001866 U 3/2013
KR 20130105353 A 9/2013

* cited by examiner

Primary Examiner — W. A. Teddy Falloway
(74) *Attorney, Agent, or Firm* — Eversheds Sutherland (US) LLP

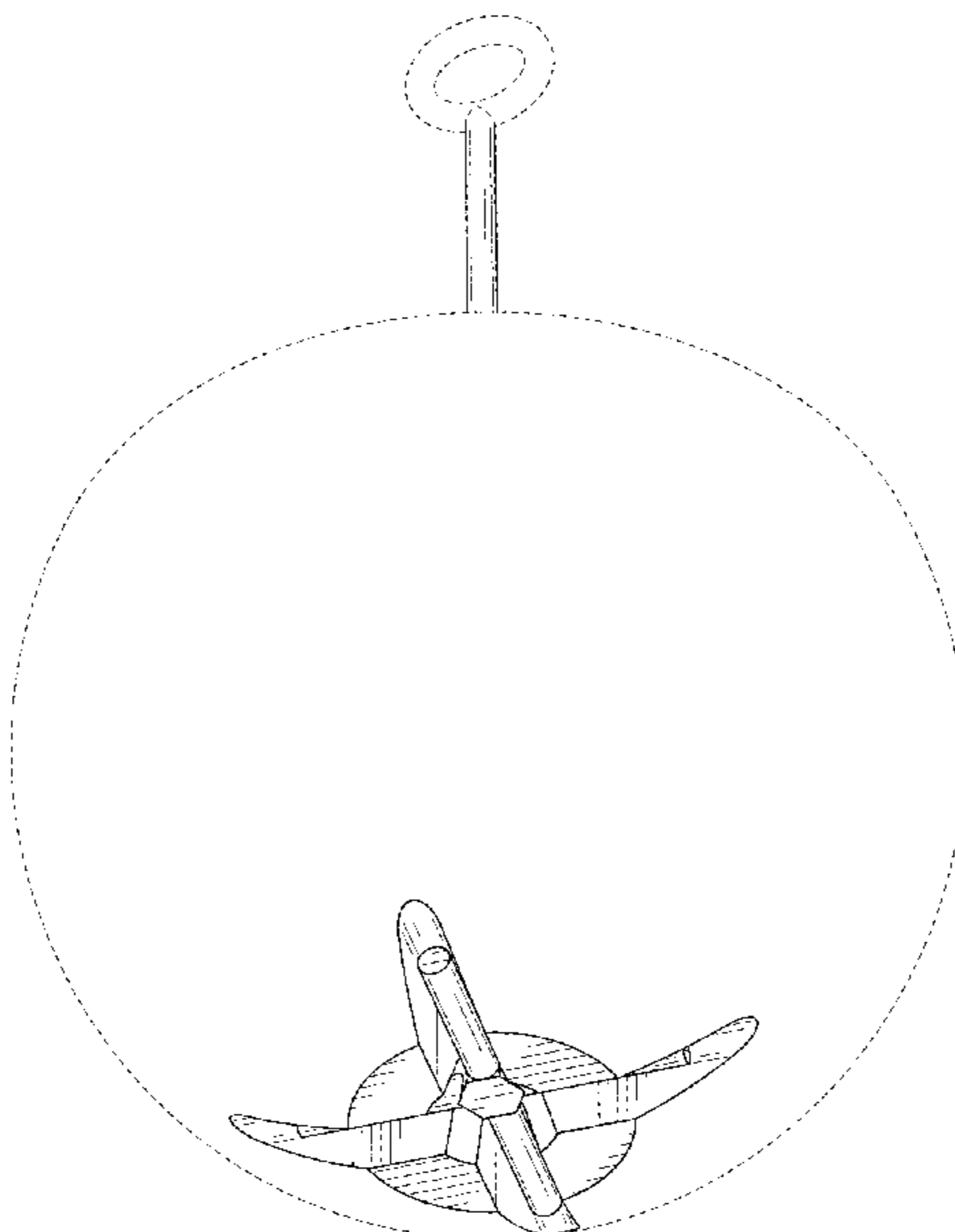
(57) **CLAIM**

I claim the ornamental design for a planter, as shown and described.

DESCRIPTION

FIG. 1 is an upper perspective view showing my new design for a planter;
FIG. 2 is a lower perspective view showing the design of FIG. 1;
FIG. 3 is a side view showing the design of FIG. 1;
FIG. 4 is a top view showing the design of FIG. 1; and,
FIG. 5 is a bottom view showing the design of FIG. 1.
In FIGS. 1-5, the broken lines are for purposes of illustration only and do not form a part of the claimed design.
The broken lines shown illustrate portions of the planter that form no part of the claimed design.

1 Claim, 5 Drawing Sheets



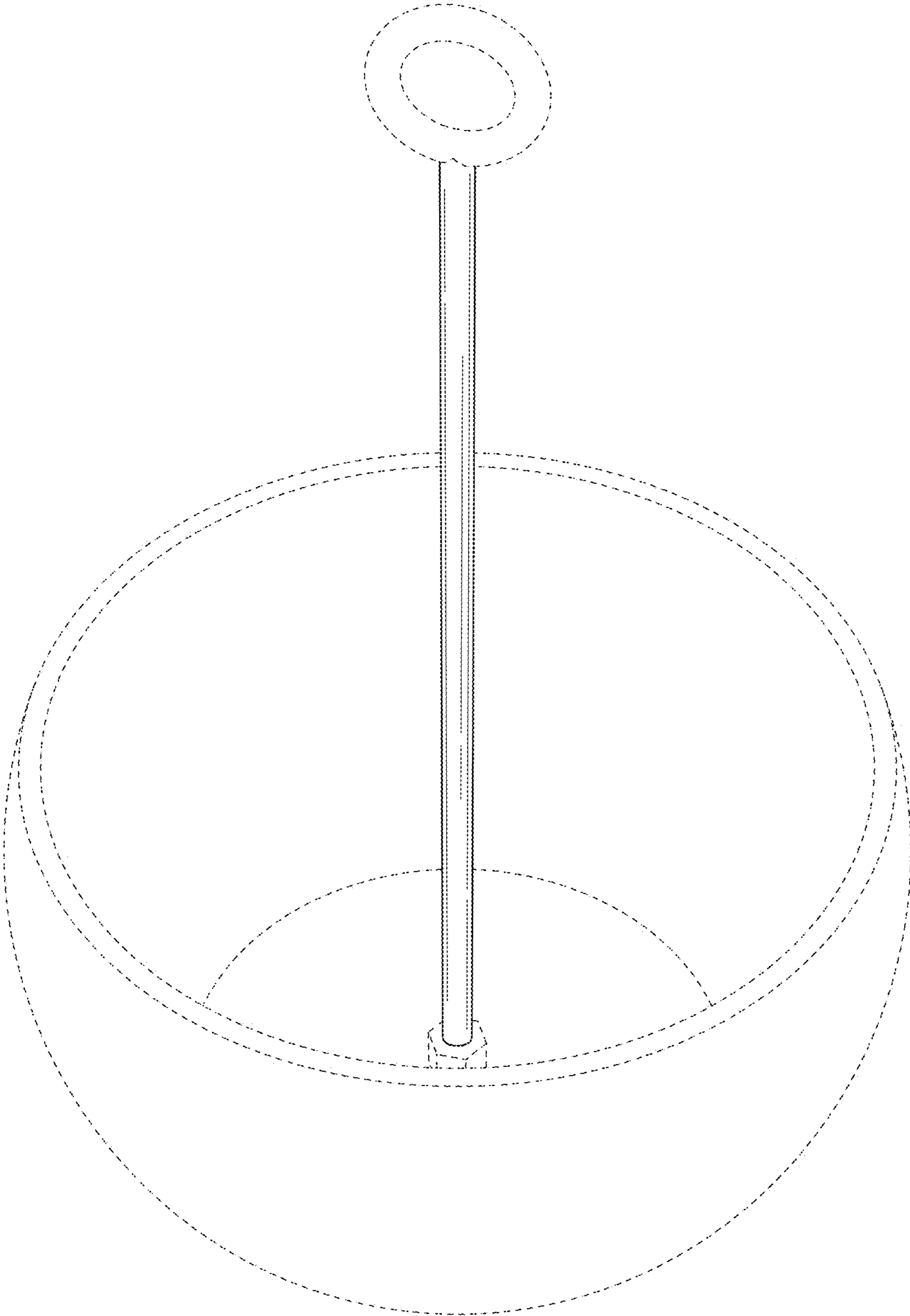


FIG. 1

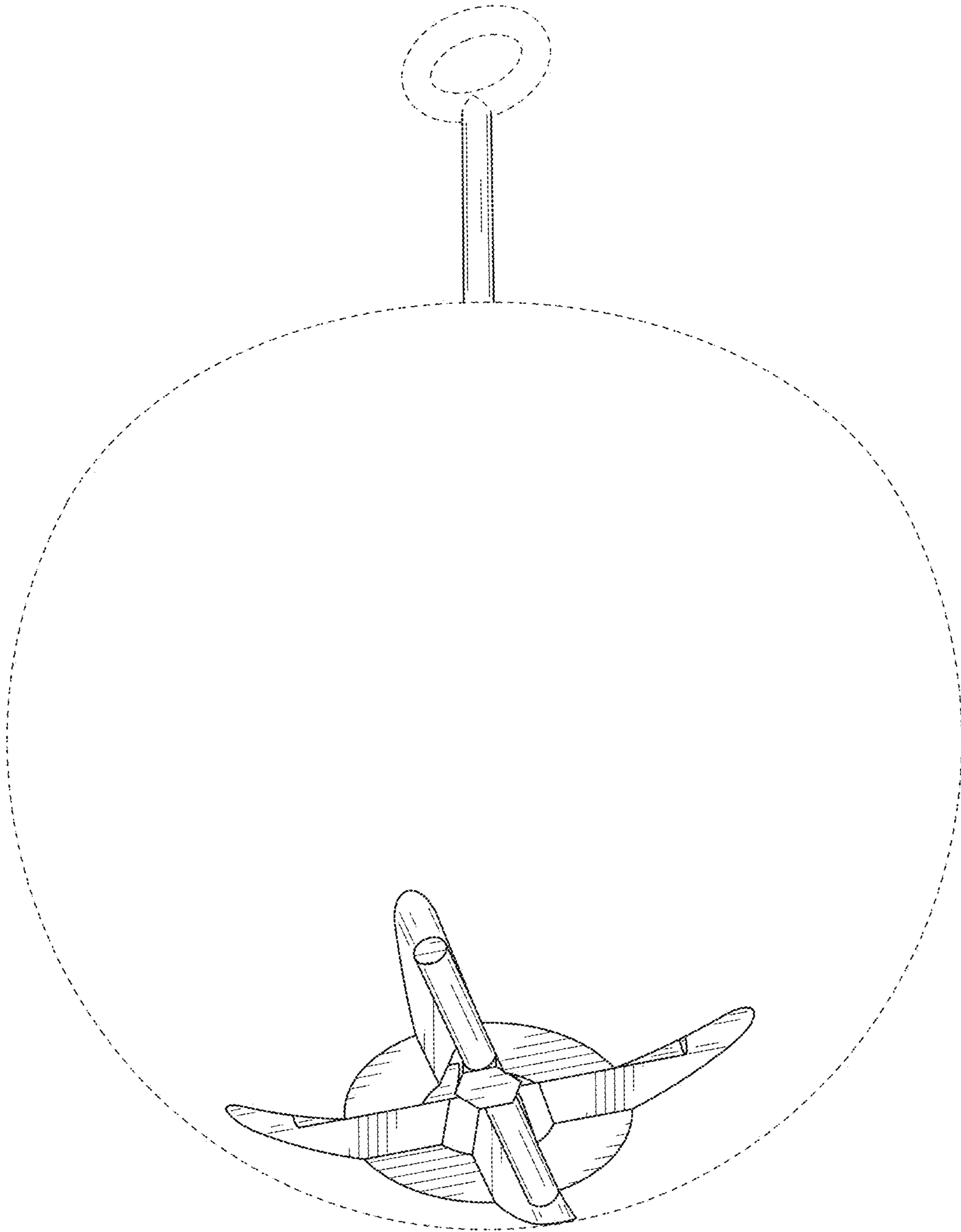


FIG. 2

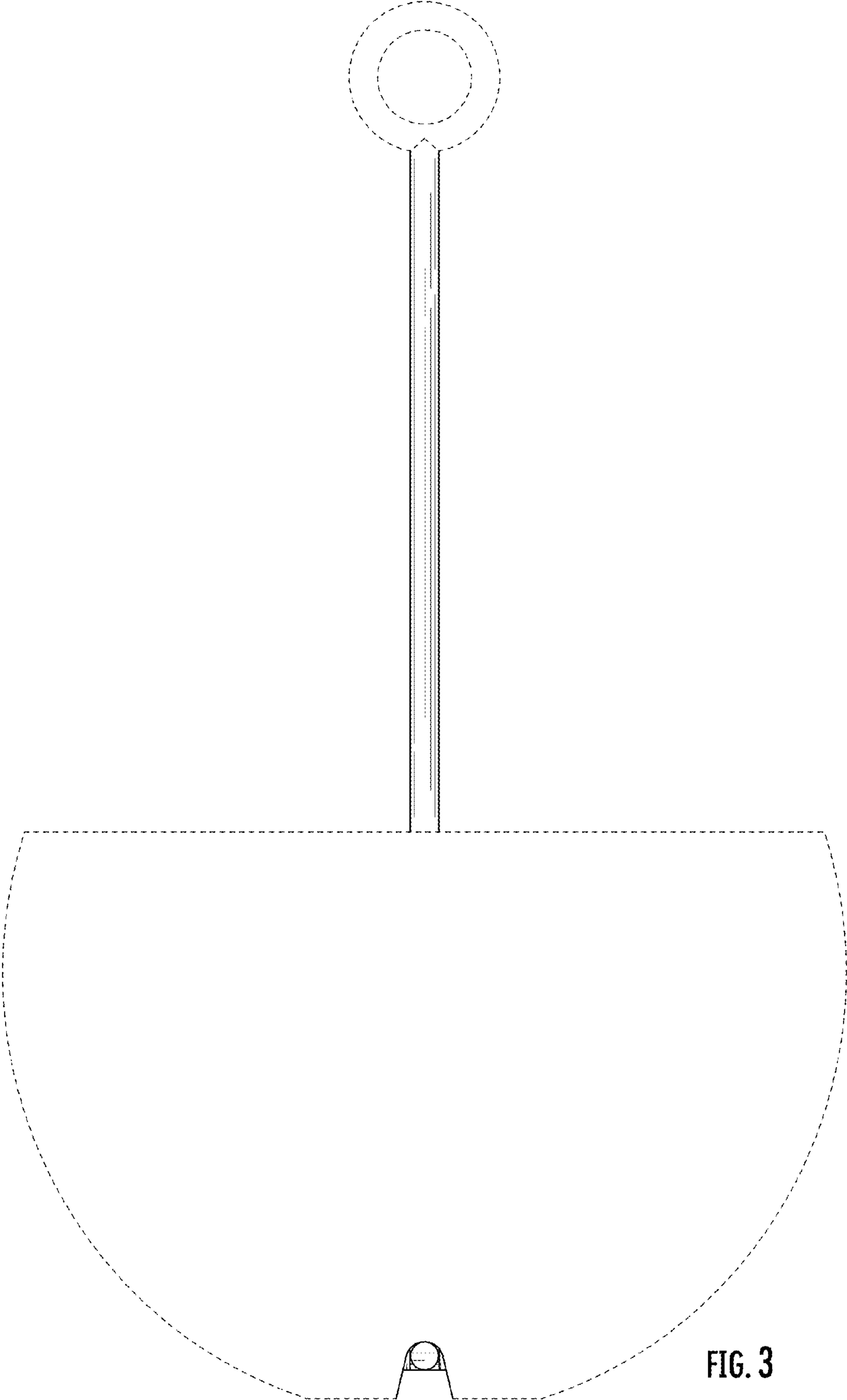


FIG. 3

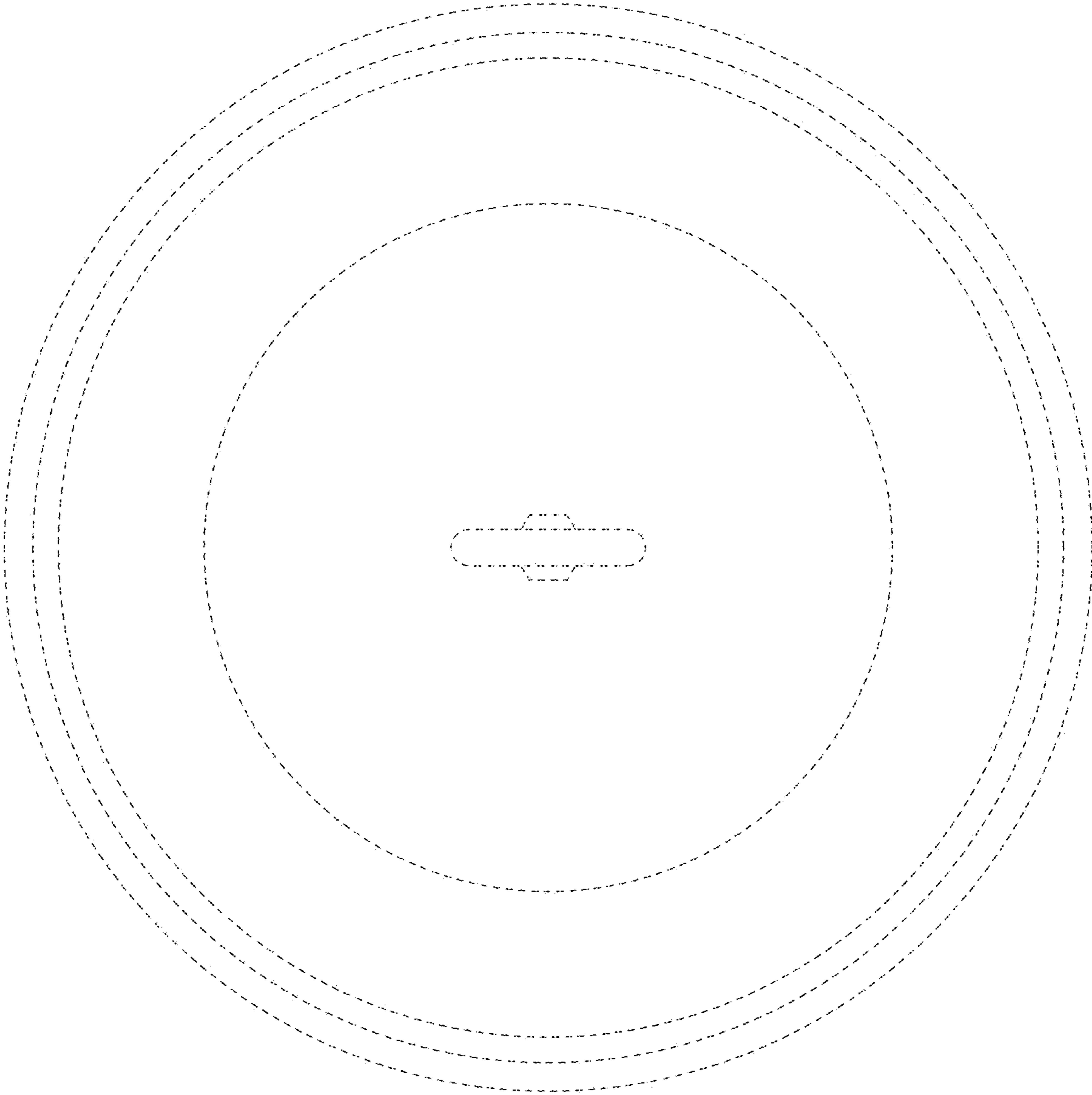


FIG. 4

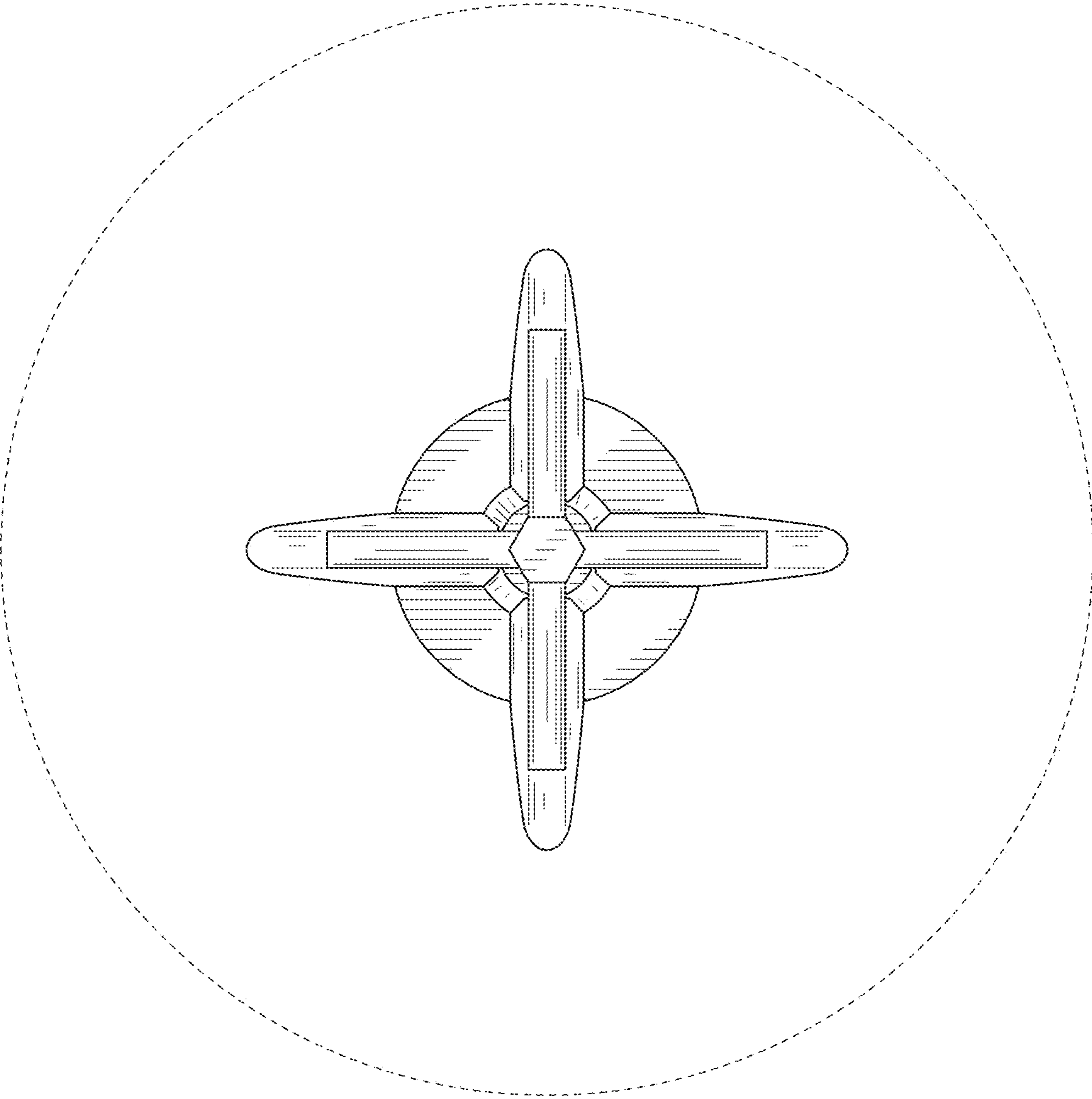


FIG. 5