



US00D881747S

(12) **United States Design Patent**  
**Harshman**

(10) **Patent No.:** **US D881,747 S**  
(45) **Date of Patent:** **\*\* Apr. 21, 2020**

- (54) **VASE**
- (71) Applicant: **Syndicate Sales, Inc.**, Kokomo, IN  
(US)
- (72) Inventor: **Trent A. Harshman**, Galveston, IN  
(US)
- (73) Assignee: **Syndicate Sales, Inc.**, Kokomo, IN  
(US)
- (\*\*) Term: **15 Years**
- (21) Appl. No.: **29/673,749**
- (22) Filed: **Dec. 18, 2018**
- (51) **LOC (12) Cl.** ..... **11-02**
- (52) **U.S. Cl.**  
USPC ..... **D11/143**
- (58) **Field of Classification Search**  
USPC ..... D3/304, 313, 309; D6/403–405,  
D6/556–558, 512, 672, 675, 675.1, 717;  
D7/640, 641, 400, 545, 701, 622;  
D9/500, 549, 428, 532, 907, 424, 758,  
D9/443; D11/143–156, 164  
CPC ..... A01G 9/02; A01G 9/021; A01G 9/022;  
A01G 9/025; A01G 9/026; A01G 9/028;  
A01G 9/029; A01G 9/0291; A01G  
9/0293; A01G 9/0295; A01G 9/0297;  
A01G 9/0299; A01G 9/04; A01G 9/045  
See application file for complete search history.

- (56) **References Cited**  
**U.S. PATENT DOCUMENTS**  
4,308,955 A \* 1/1982 Schieser ..... B65D 1/0223  
206/509  
4,609,106 A \* 9/1986 Gentili ..... B65D 1/12  
206/509  
D330,484 S \* 10/1992 Ross ..... D7/511

5,199,587 A \* 4/1993 Ota ..... B29C 33/005  
215/381  
D343,991 S \* 2/1994 Schaeppi ..... D7/533  
D350,457 S \* 9/1994 Bailey ..... D7/509  
(Continued)

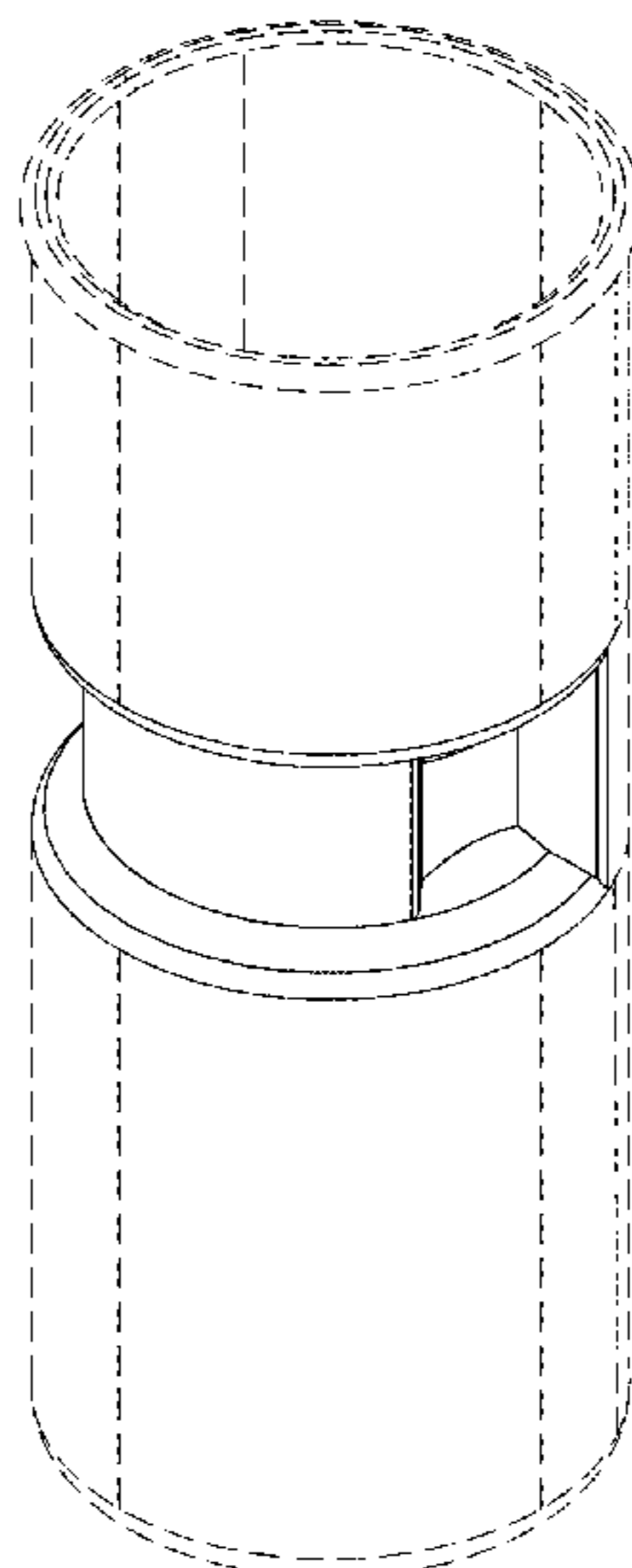
*Primary Examiner* — Elizabeth A. Albert  
(74) *Attorney, Agent, or Firm* — Woodard, Emhardt,  
Henry, Reeves & Wagner, LLP; William McKenna;  
Thomas Henry

(57) **CLAIM**  
The ornamental design for a vase, as shown and described.

**DESCRIPTION**

FIG. 1 is a top perspective view of the vase incorporating the new design;  
FIG. 2 is a rear view thereof;  
FIG. 3 is a right view thereof;  
FIG. 4 is a front view thereof;  
FIG. 5 is a left view thereof;  
FIG. 6 is a top view thereof;  
FIG. 7 is a bottom view thereof;  
FIG. 8 is a top perspective view of an alternate embodiment of the vase incorporating the new design;  
FIG. 9 is a rear view thereof;  
FIG. 10 is a right view thereof;  
FIG. 11 is a front view thereof;  
FIG. 12 is a left view thereof;  
FIG. 13 is a top view thereof;  
FIG. 14 is a bottom view thereof;  
FIG. 15 is a top perspective view of the vase incorporating the new design;  
FIG. 16 is a rear view thereof;  
FIG. 17 is a right view thereof;  
FIG. 18 is a front view thereof;  
FIG. 19 is a left view thereof;  
FIG. 20 is a top view thereof; and,  
FIG. 21 is a bottom view thereof.  
The broken lines in the drawings are included to show portions of the vase that form no part of the claimed design.

**1 Claim, 18 Drawing Sheets**



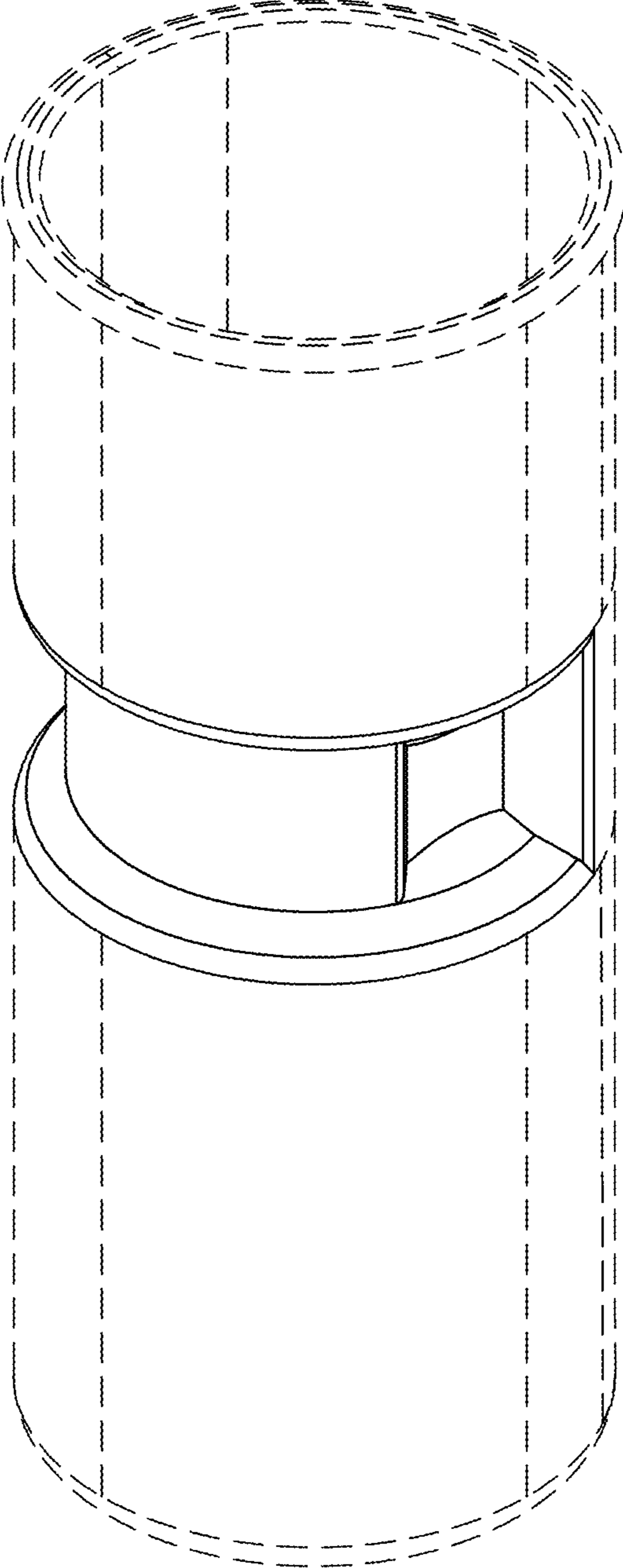
(56)

## References Cited

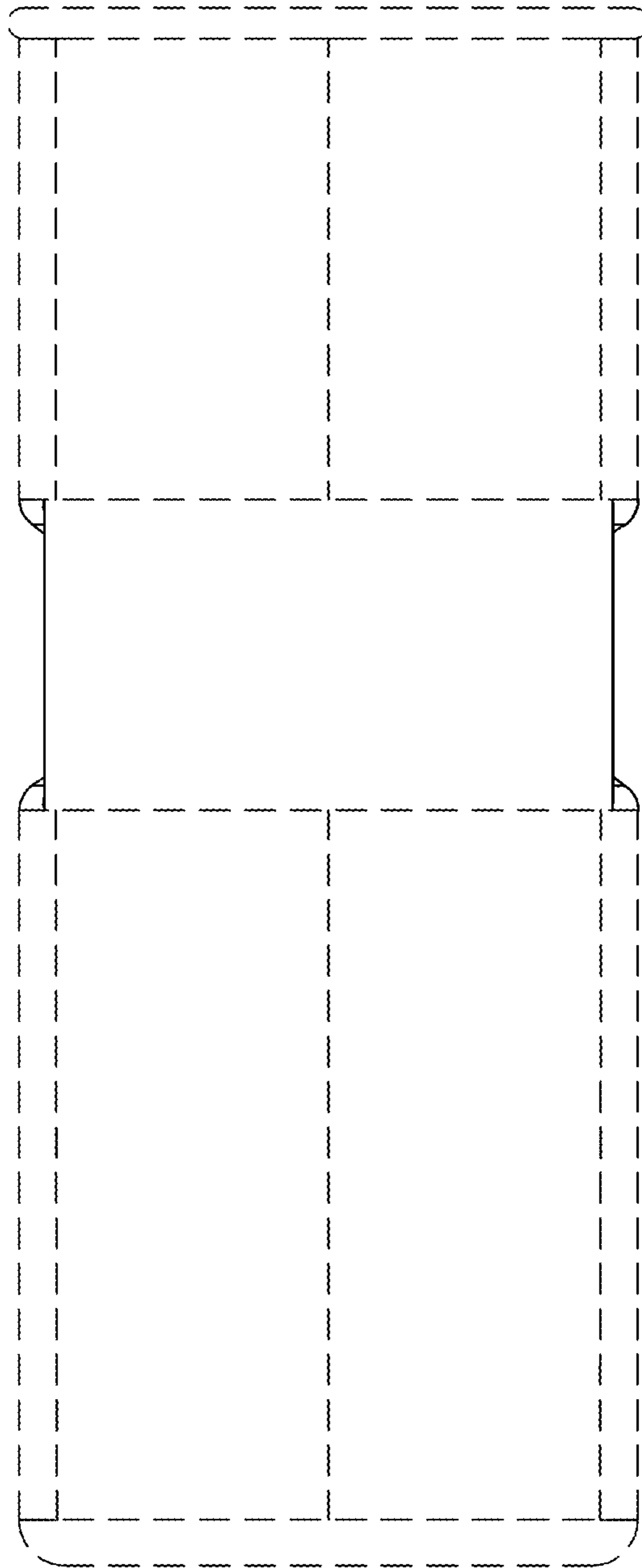
## U.S. PATENT DOCUMENTS

D372,735 S \* 8/1996 Tseng ..... D19/168  
D385,497 S \* 10/1997 Krishnakumar ..... D9/543  
D409,441 S \* 5/1999 Stephenson ..... D7/510  
D433,938 S \* 11/2000 Polan ..... D9/560  
D448,672 S \* 10/2001 Cheng ..... D9/530  
D465,153 S \* 11/2002 Meeker ..... D9/418  
D645,747 S \* 9/2011 Yu ..... D9/445  
D654,010 S \* 2/2012 Maks ..... D12/419  
D654,763 S \* 2/2012 George ..... D7/510  
D656,361 S \* 3/2012 Gilbert ..... D7/533  
D698,657 S \* 2/2014 Bernstein ..... D7/510  
D703,540 S \* 4/2014 Yourist ..... D9/538  
D703,541 S \* 4/2014 Yourist ..... D9/541  
D706,582 S \* 6/2014 Oas ..... D7/510  
D718,585 S \* 12/2014 Zieger ..... D8/14  
D739,236 S \* 9/2015 Monbarren ..... D9/449  
D739,249 S \* 9/2015 Glaser ..... D9/560  
D743,269 S \* 11/2015 Pape ..... D9/550  
D749,956 S \* 2/2016 Bernstein ..... D7/510  
D784,763 S \* 4/2017 Oshana ..... D7/509  
D797,508 S \* 9/2017 Gobrecht et al. .... D11/143  
D803,633 S \* 11/2017 Boroski ..... D7/608  
D821,669 S \* 6/2018 Arciniegas ..... D32/53  
D829,507 S \* 10/2018 Breit ..... D7/529  
10,183,779 B2 \* 1/2019 Yourist ..... B65D 1/0223  
D843,788 S \* 3/2019 Boroski ..... D7/608  
D850,263 S \* 6/2019 Struggl ..... D9/503

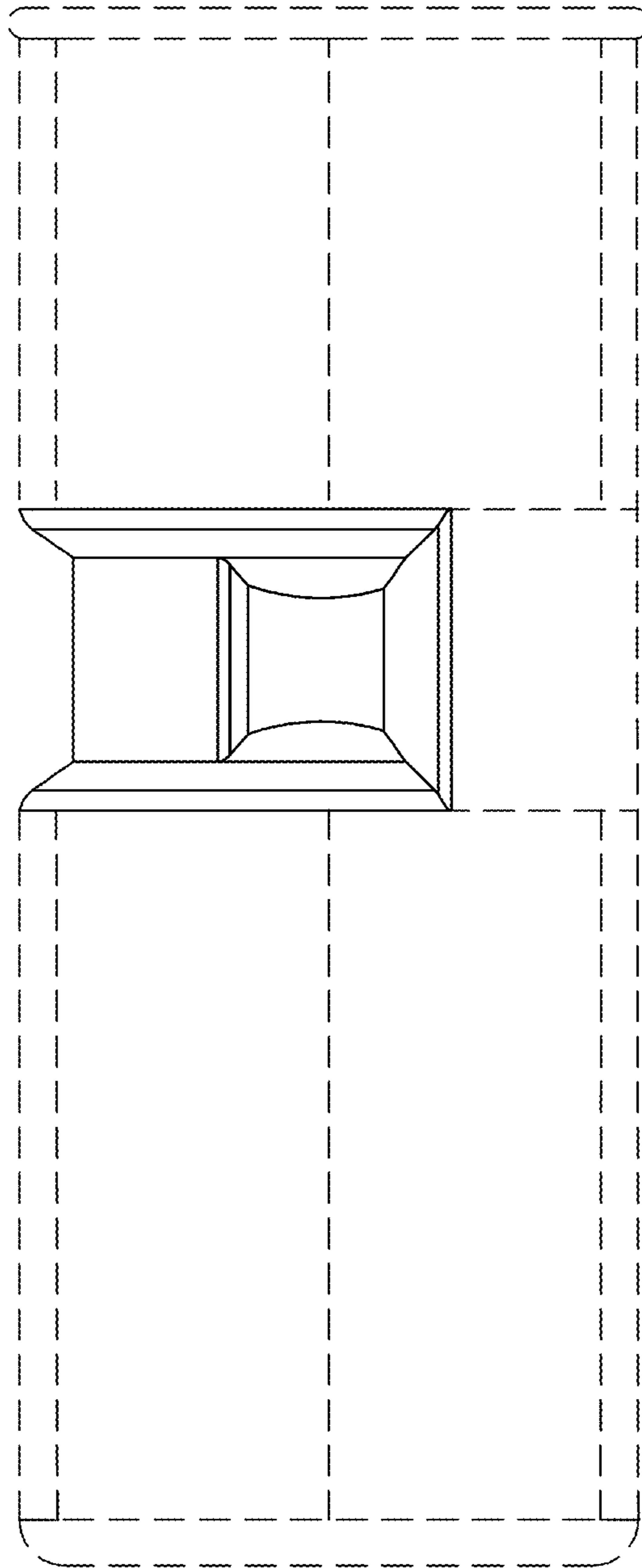
\* cited by examiner



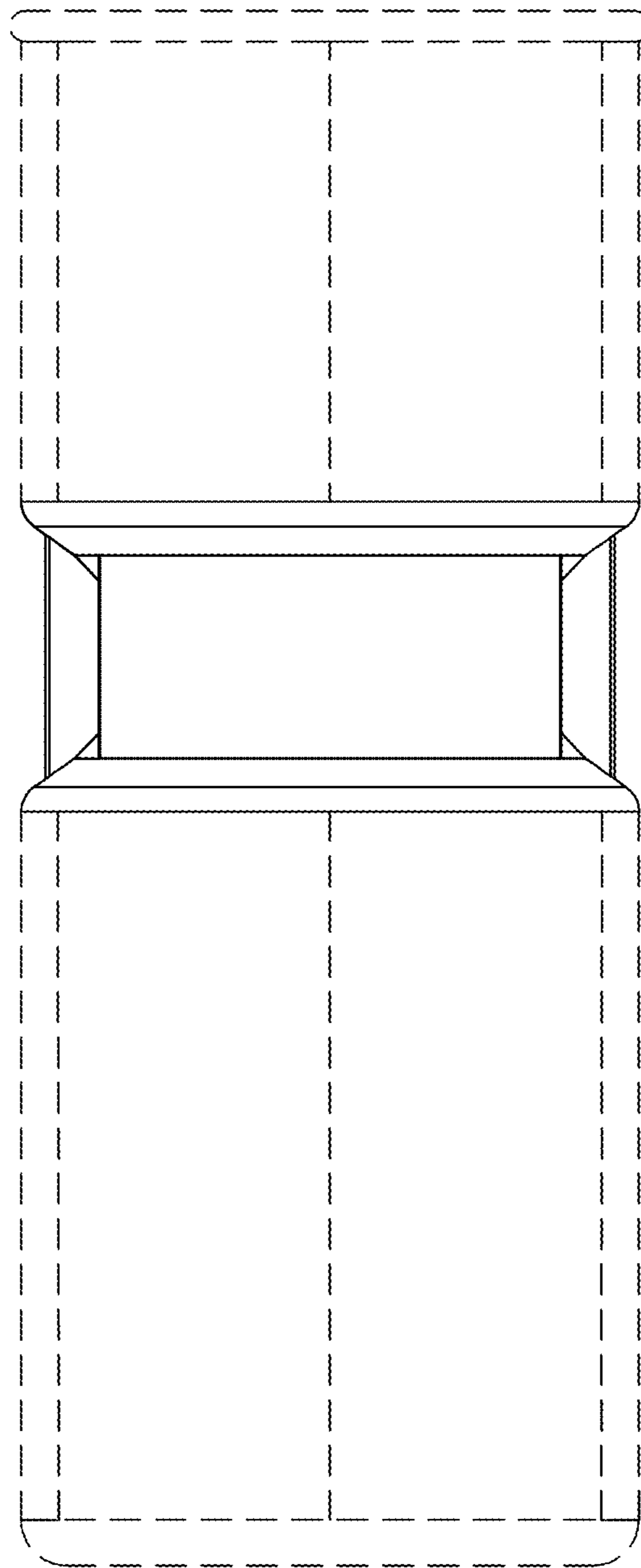
**Fig. 1**



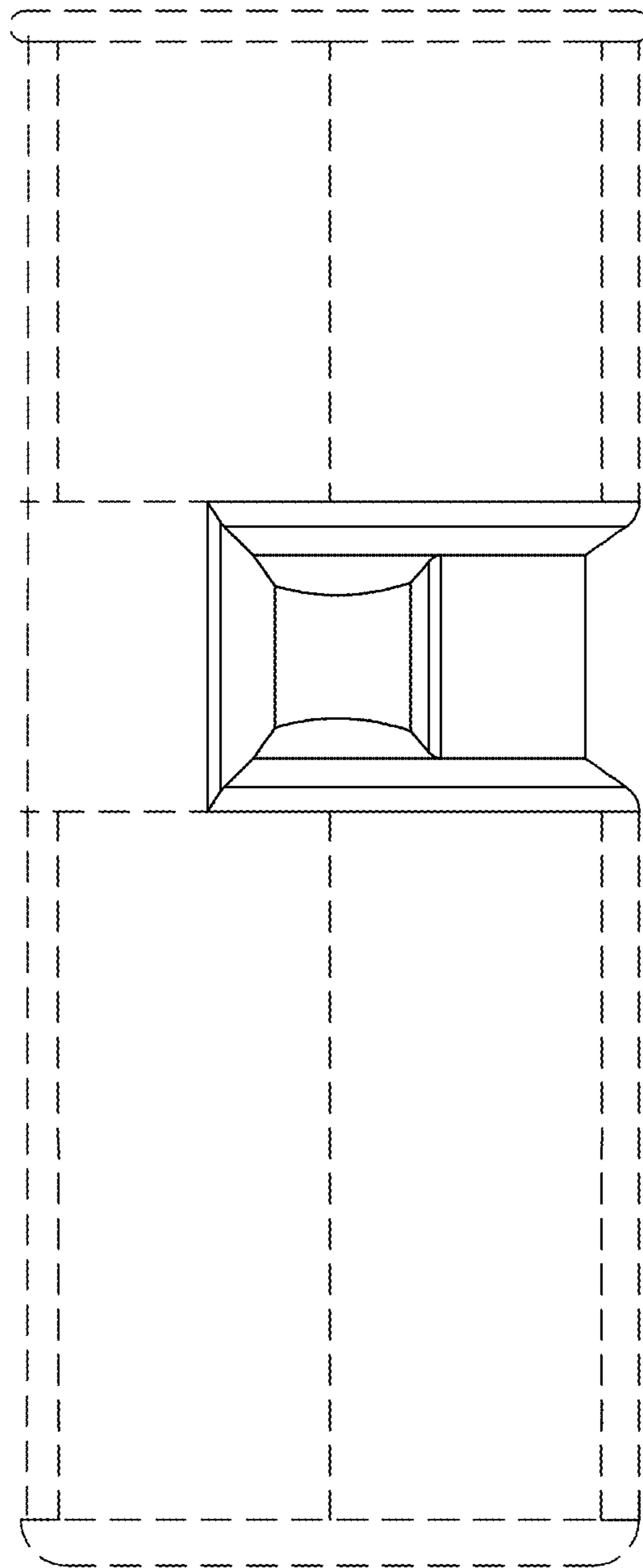
**Fig. 2**



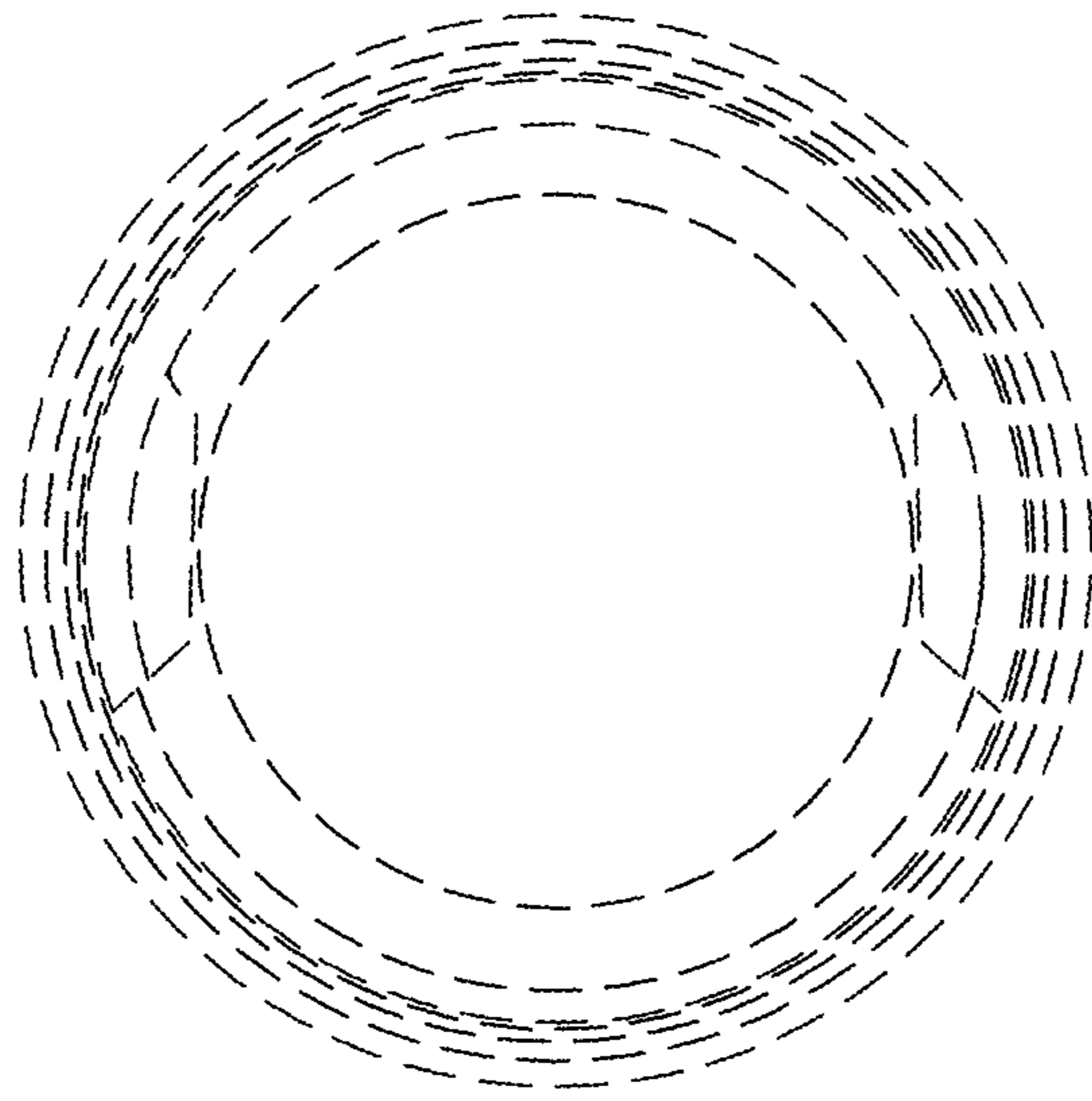
***Fig. 3***



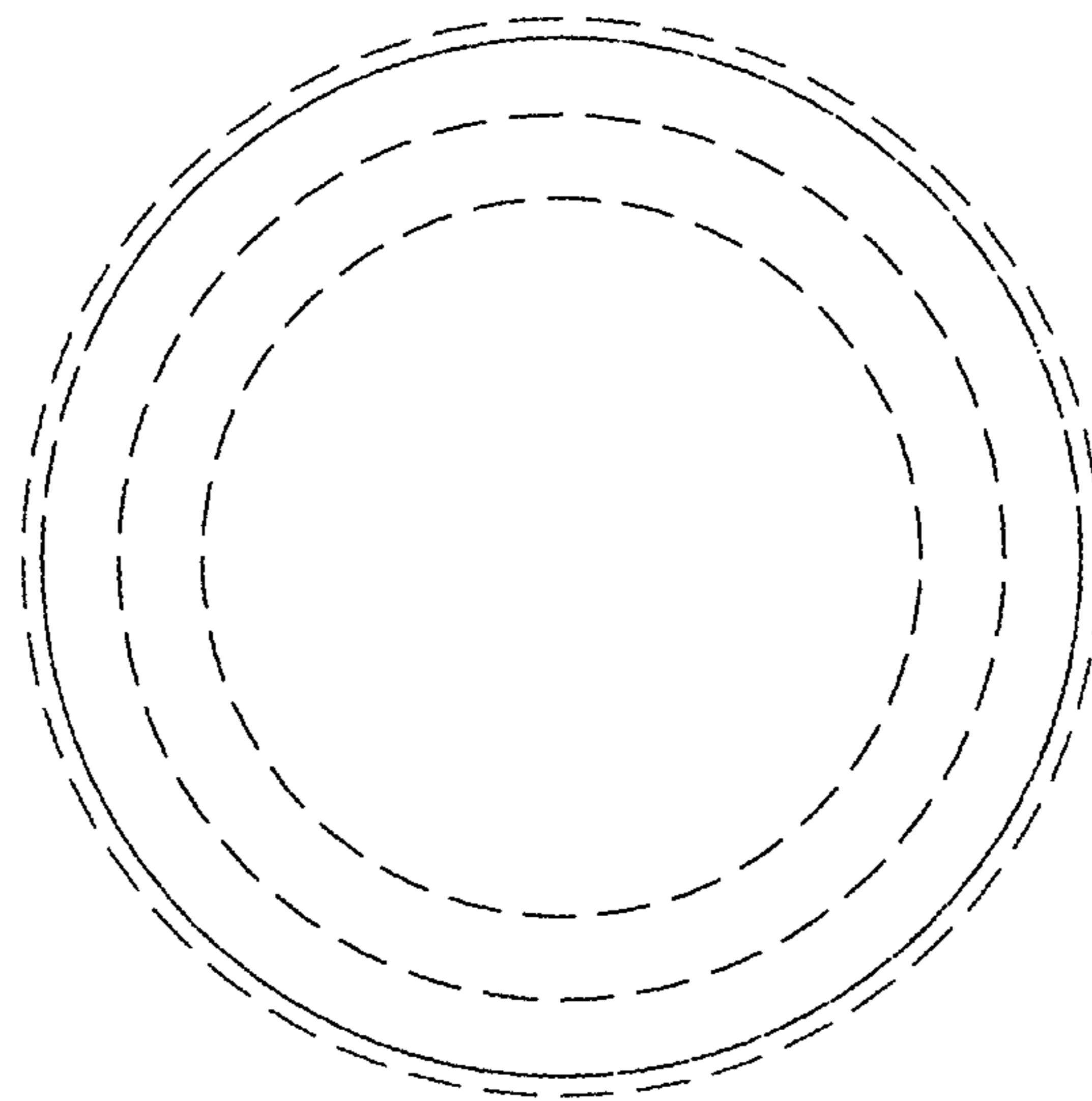
**Fig. 4**



**Fig. 5**

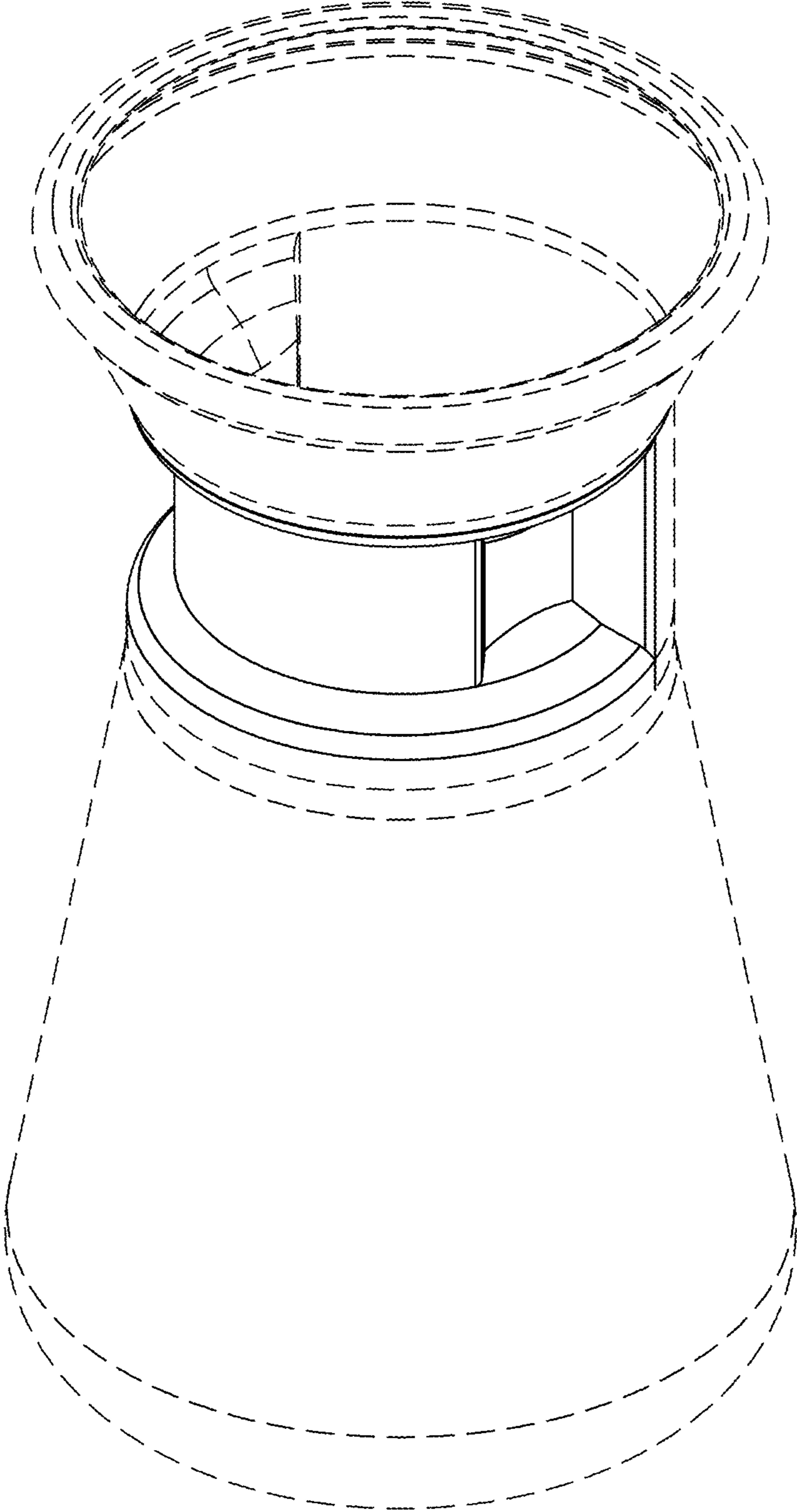


**Fig. 6**

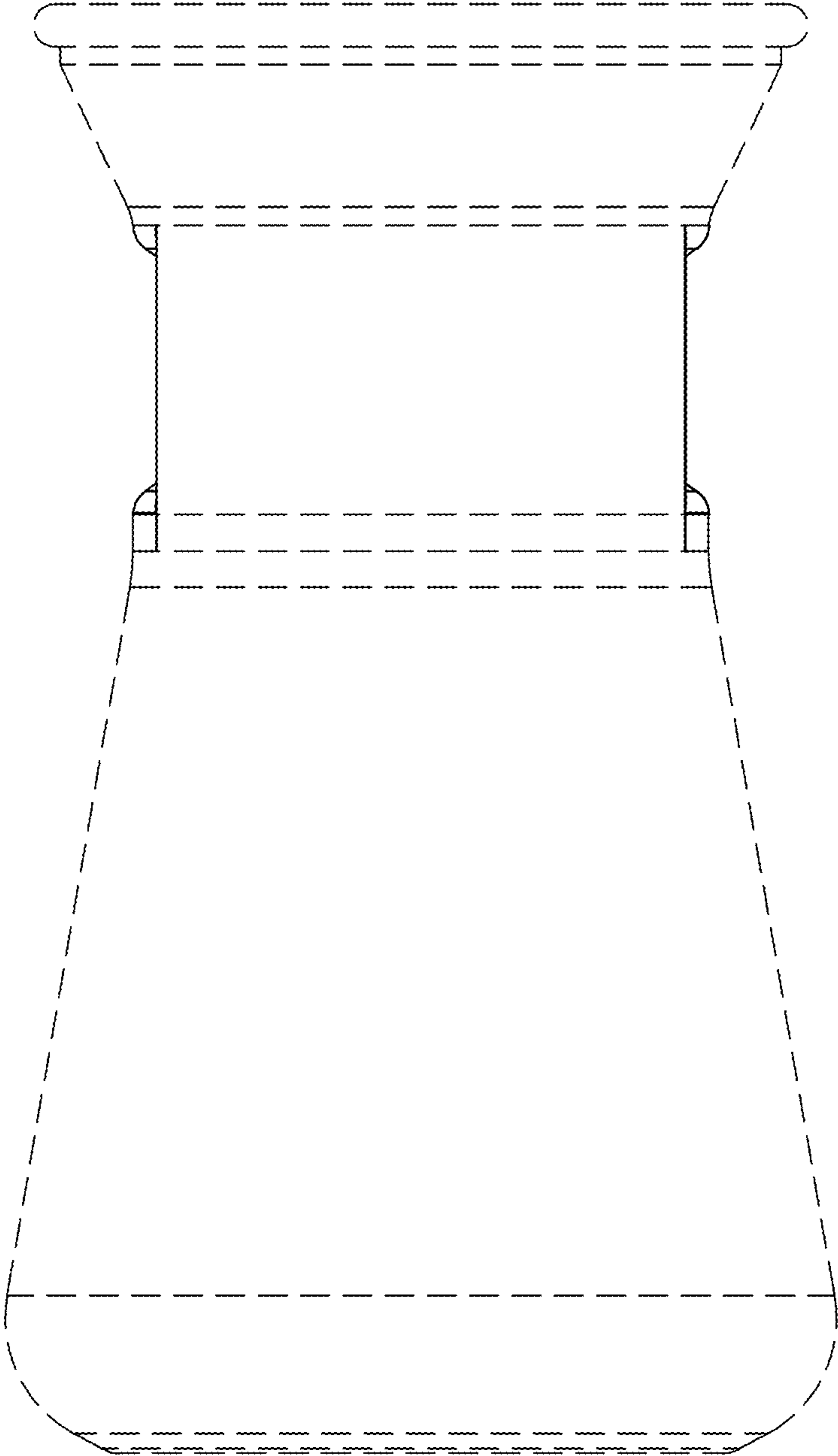


**Fig. 7**

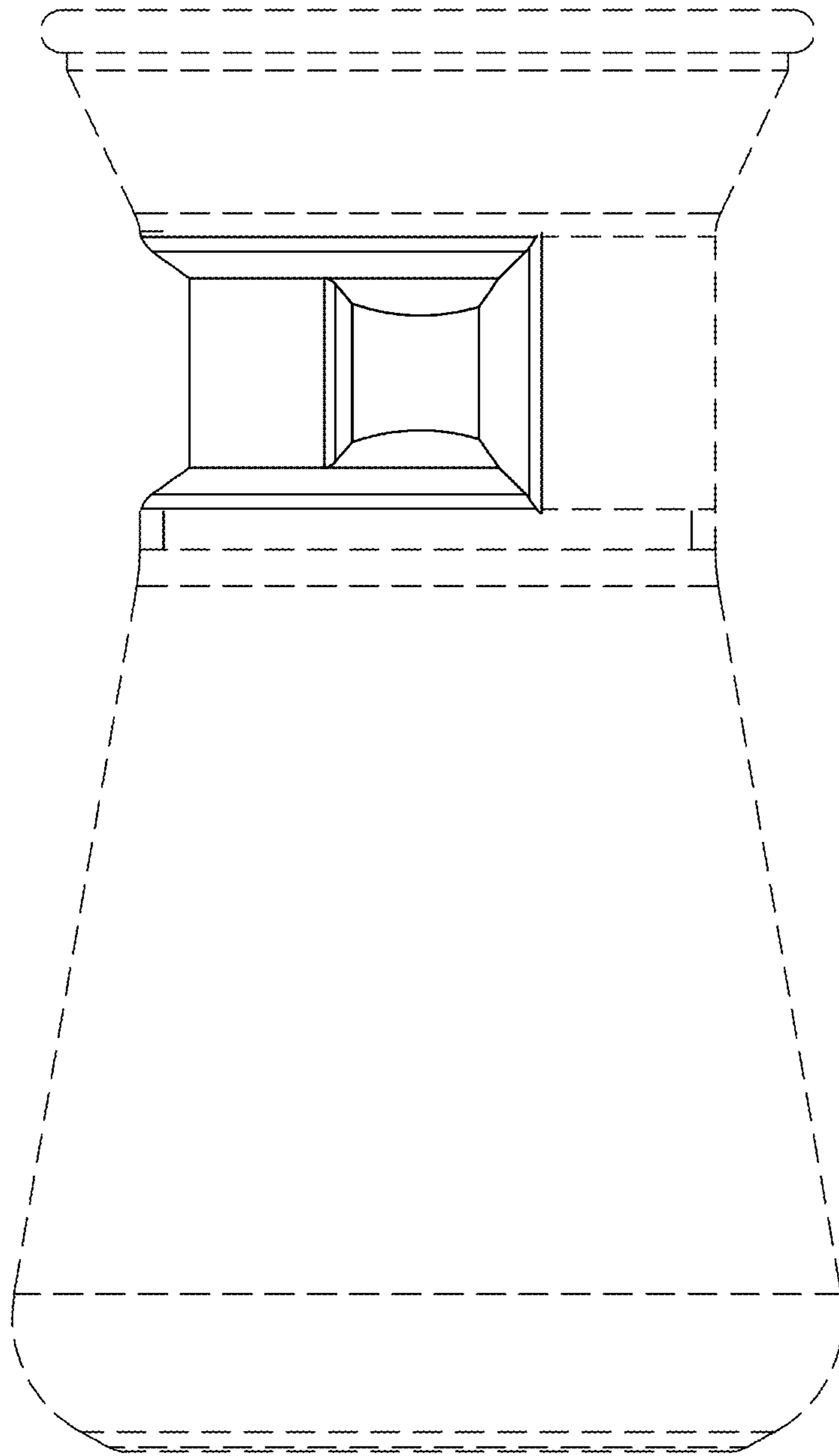




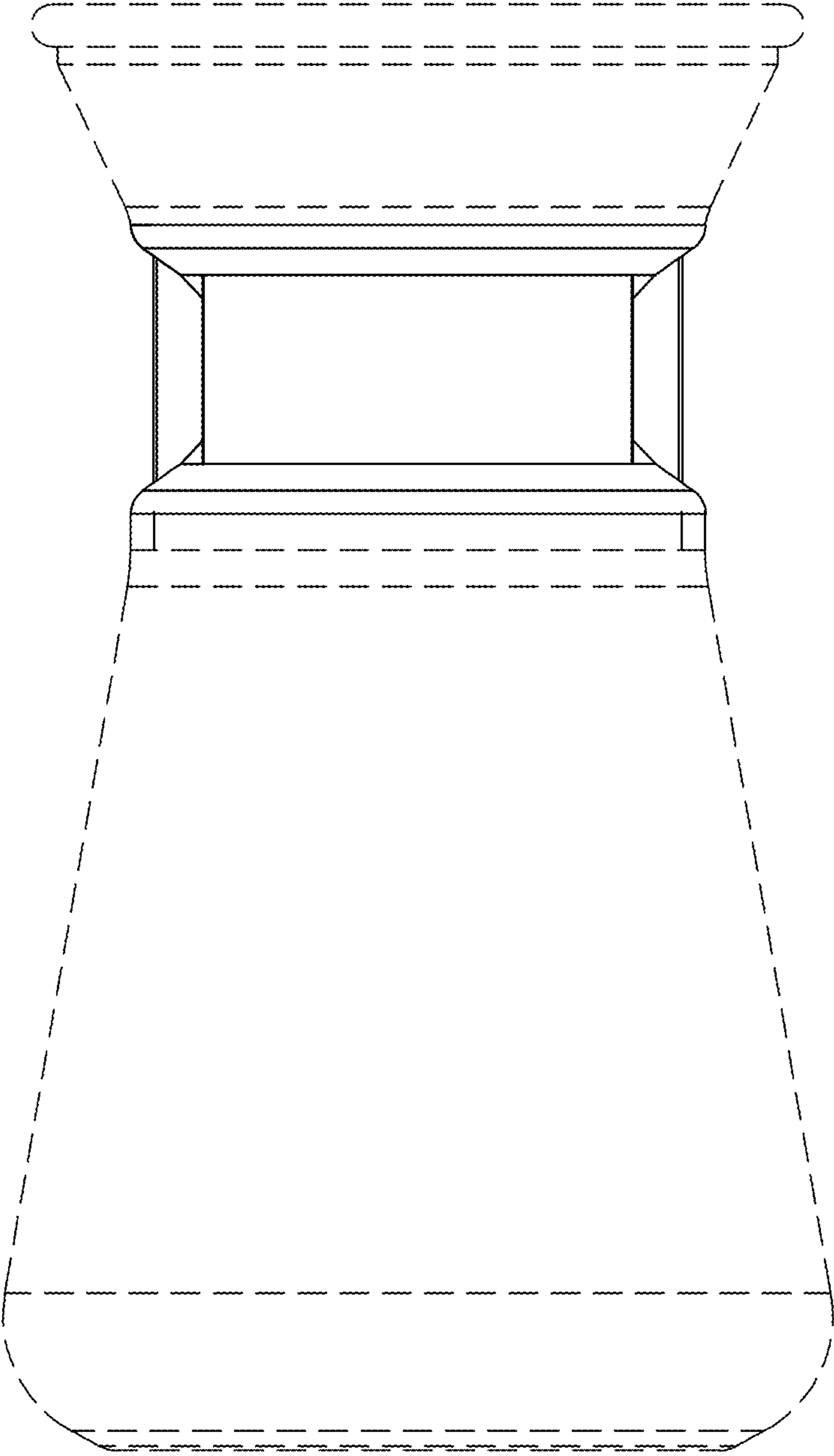
**Fig. 8**



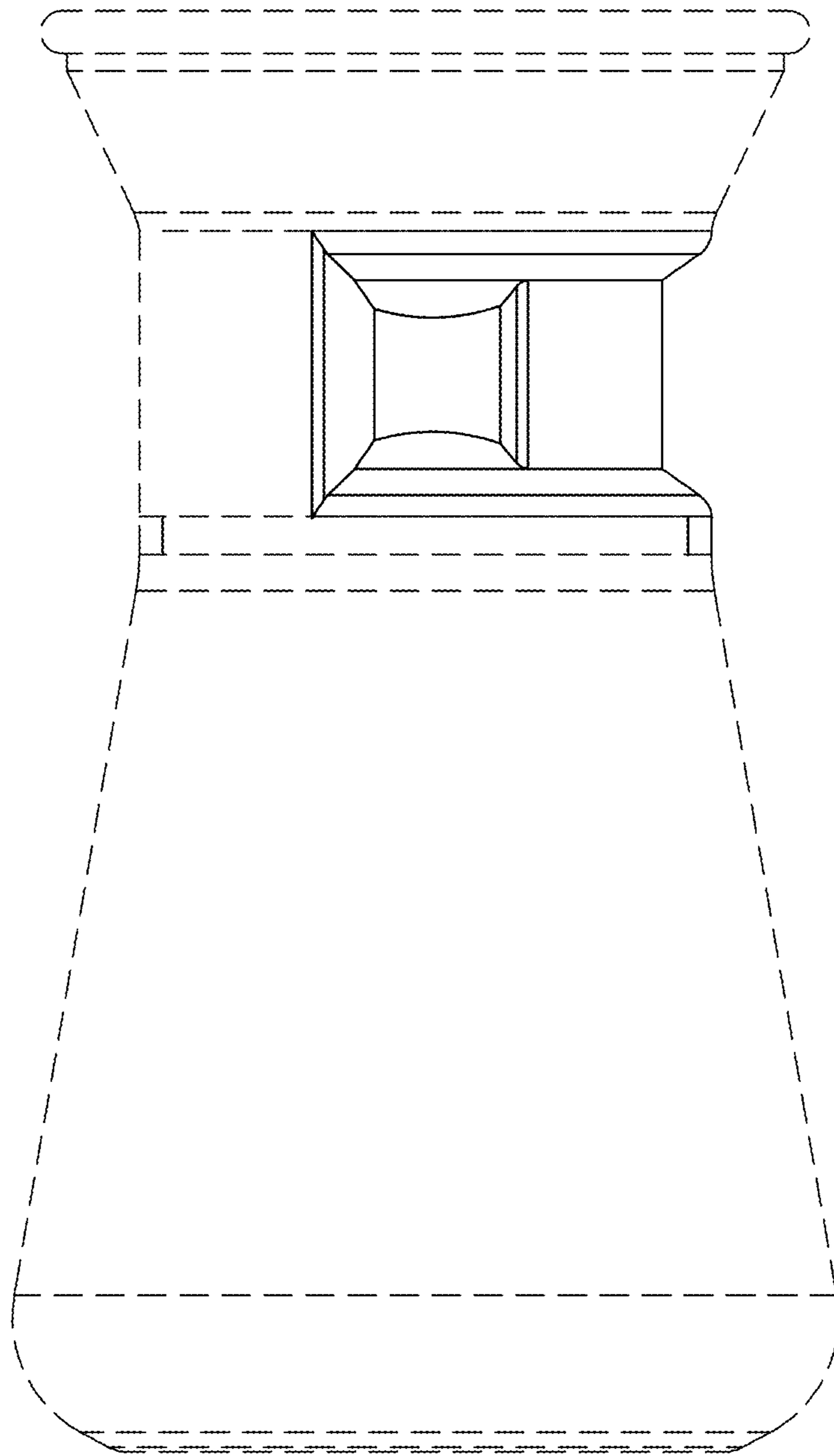
**Fig. 9**



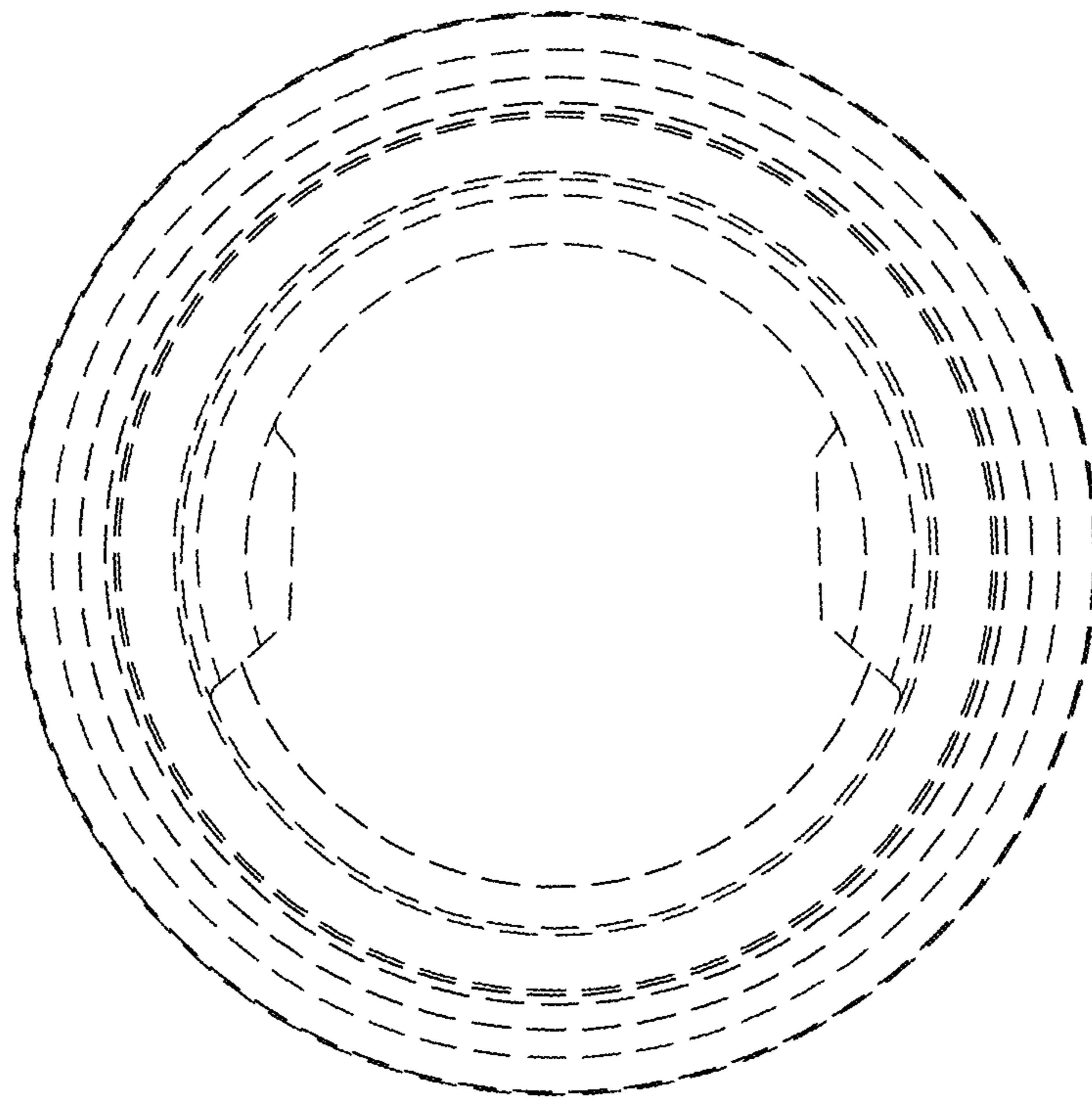
**Fig. 10**



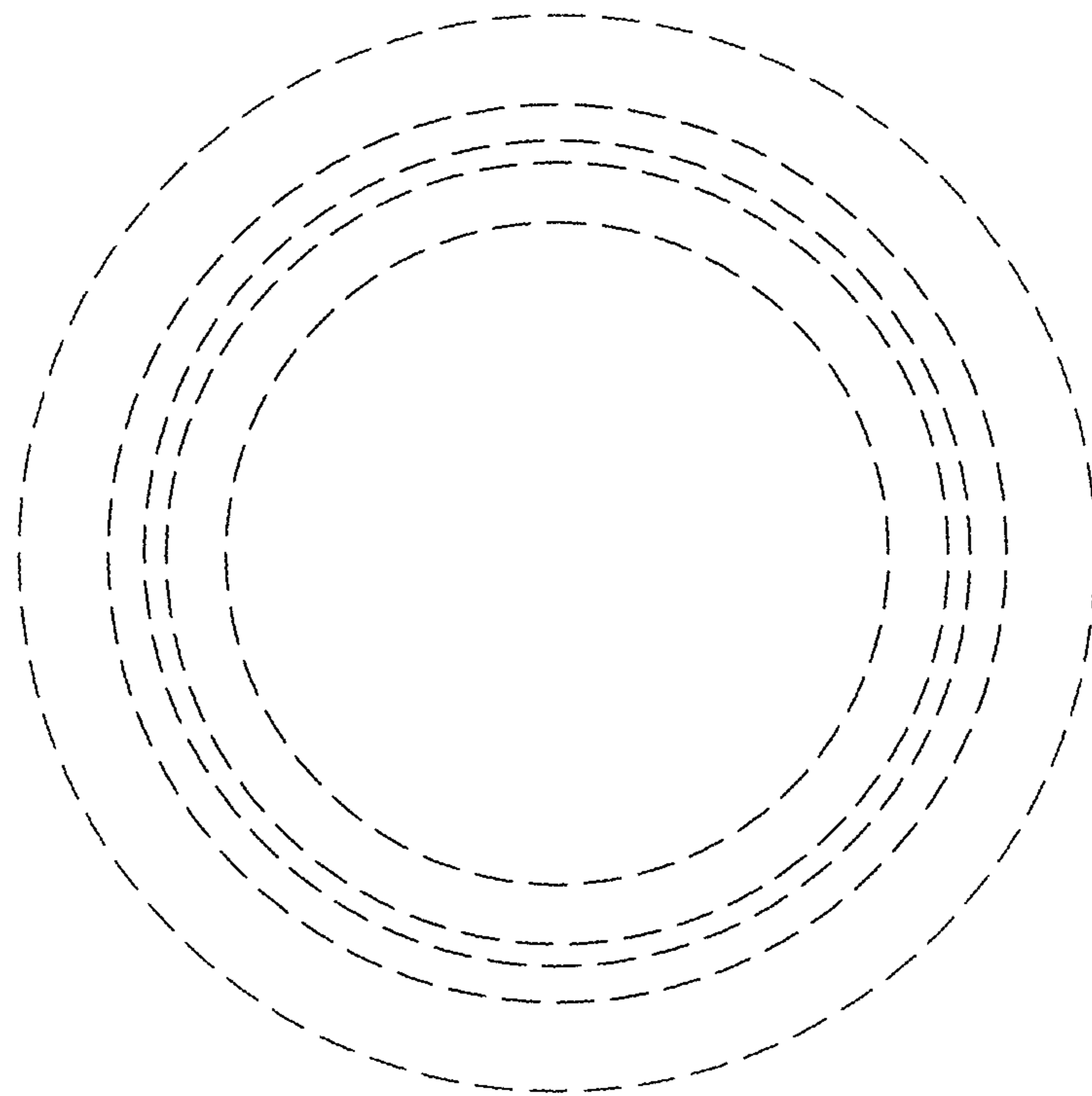
**Fig. 11**



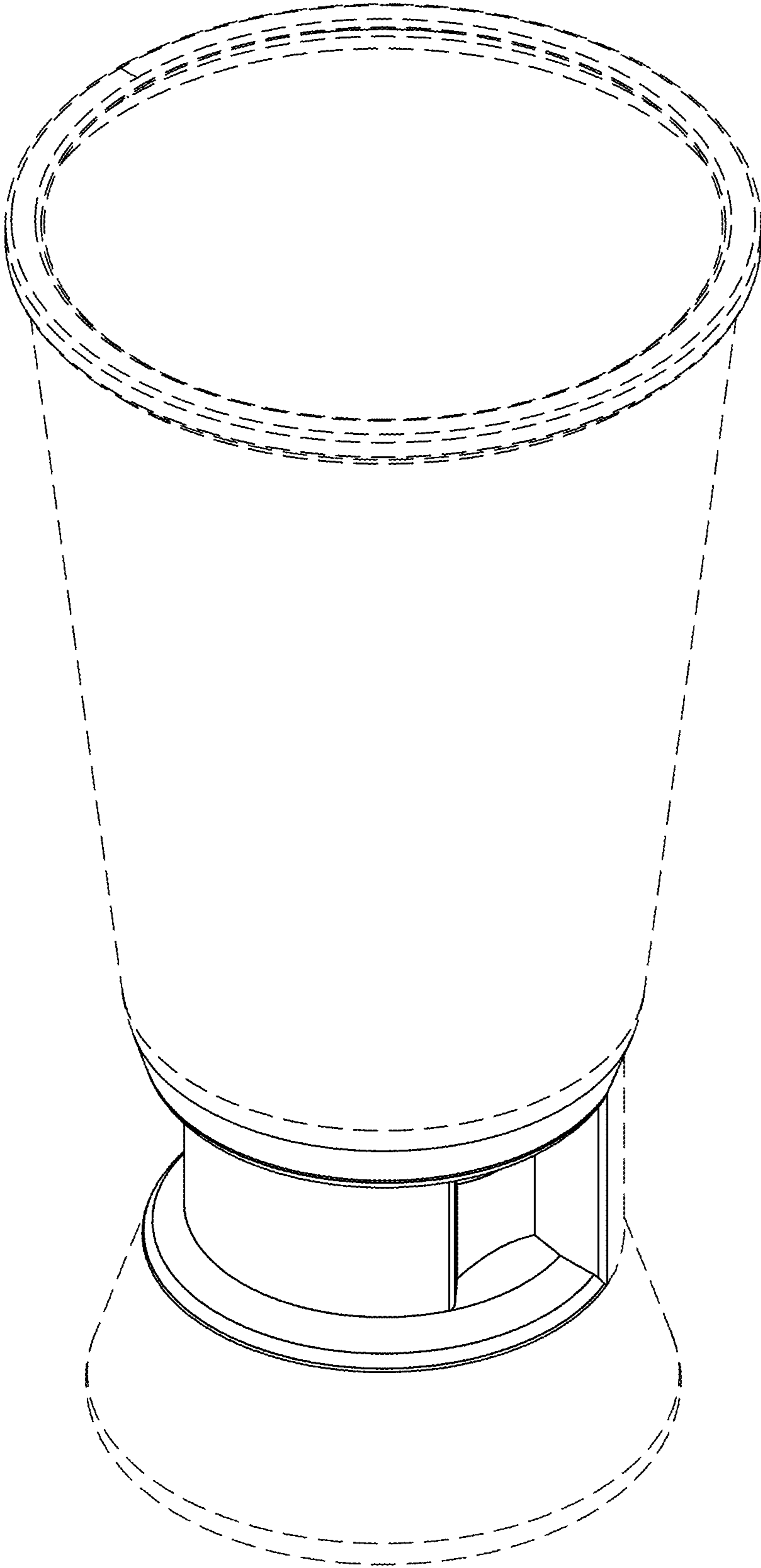
**Fig. 12**



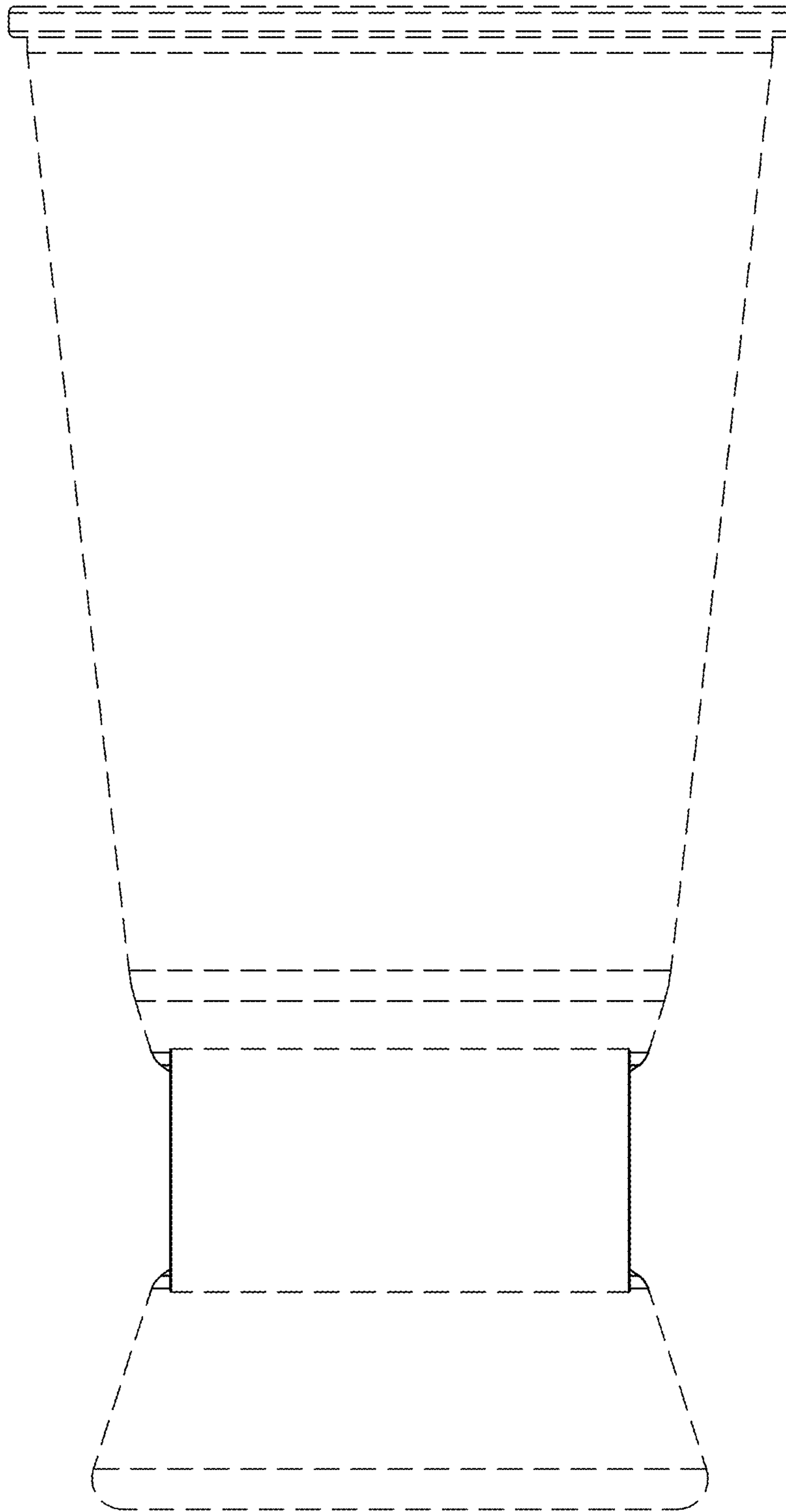
**Fig. 13**



**Fig. 14**

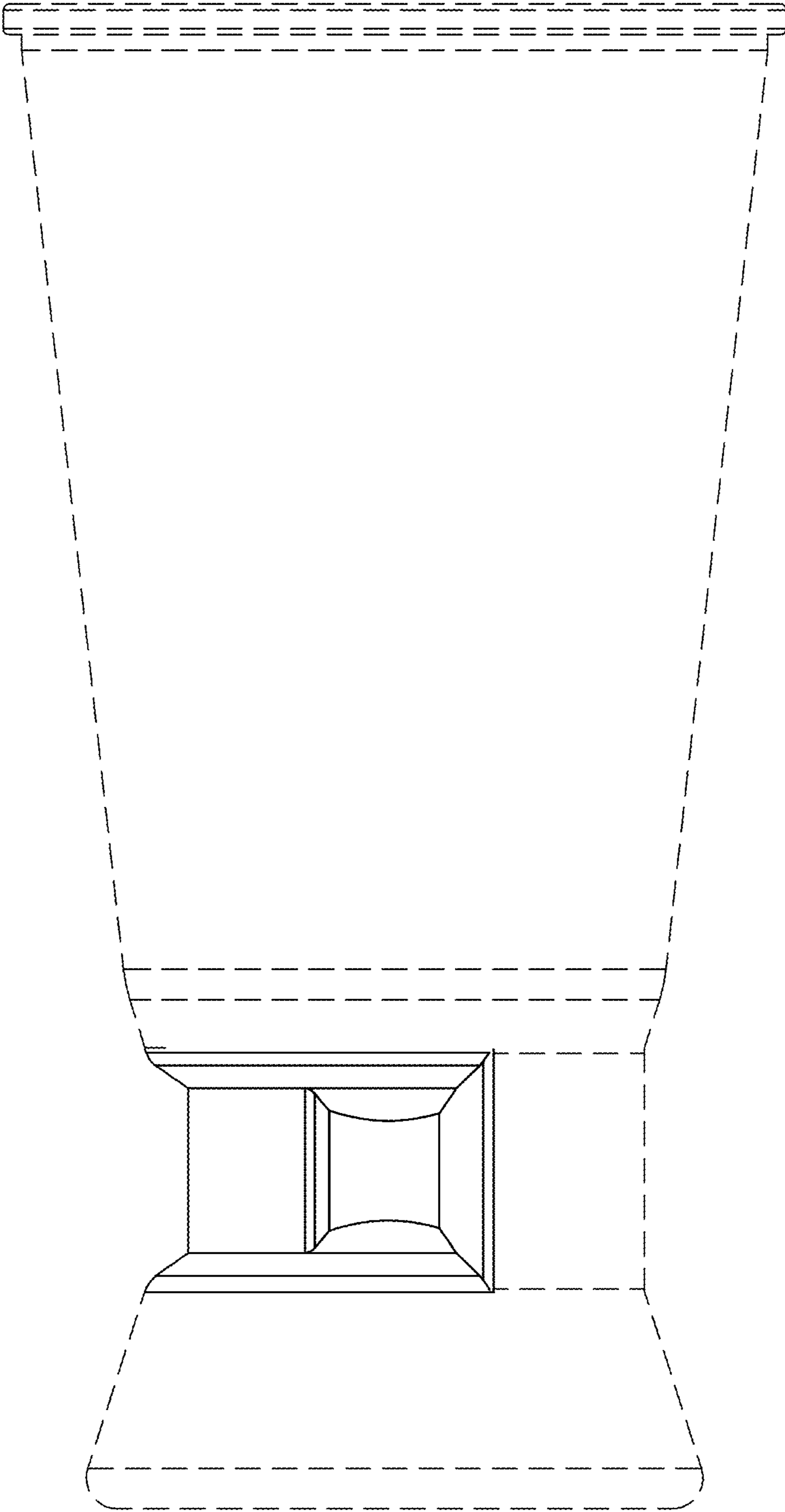


**Fig. 15**

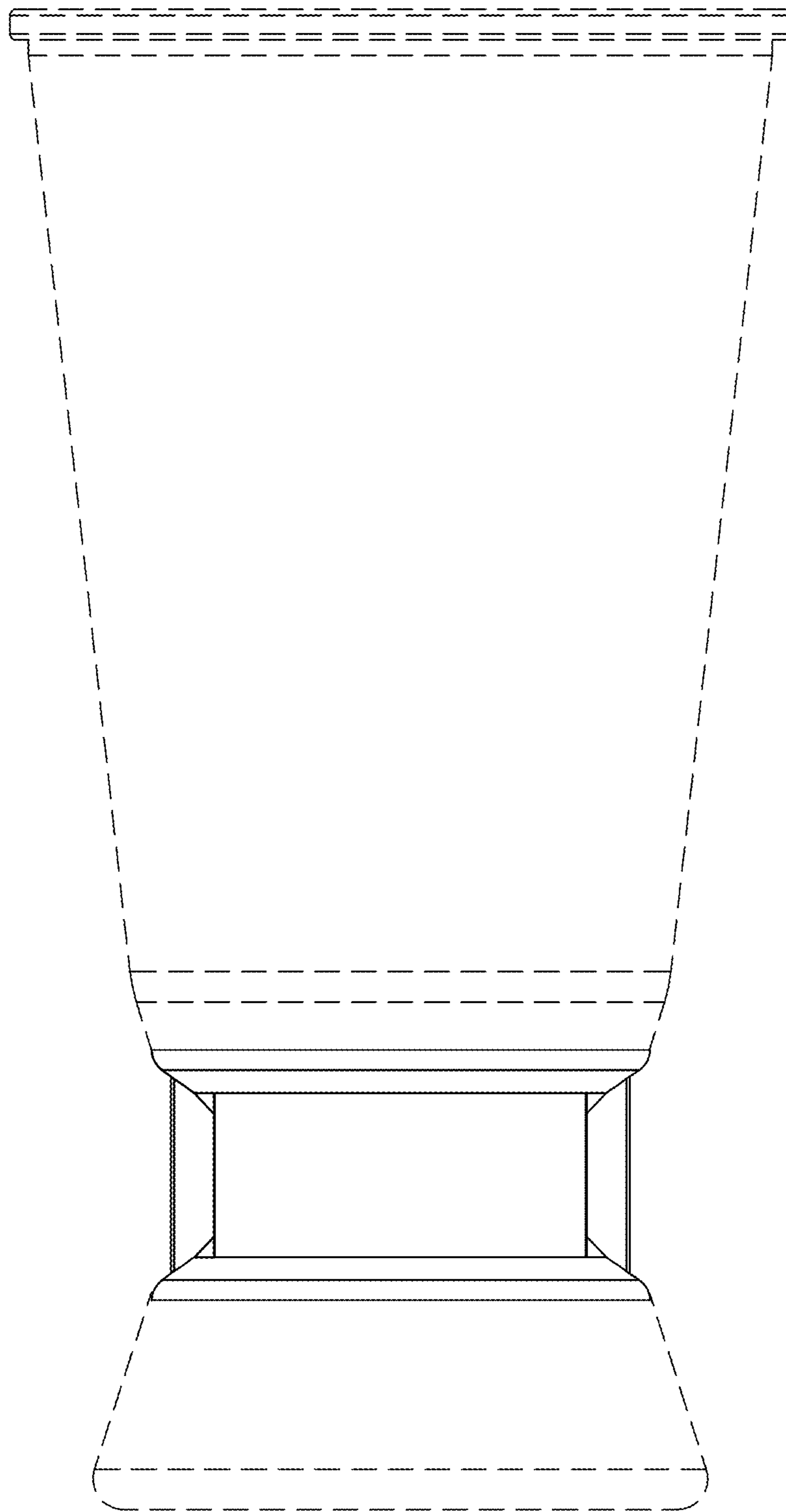


**Fig. 16**

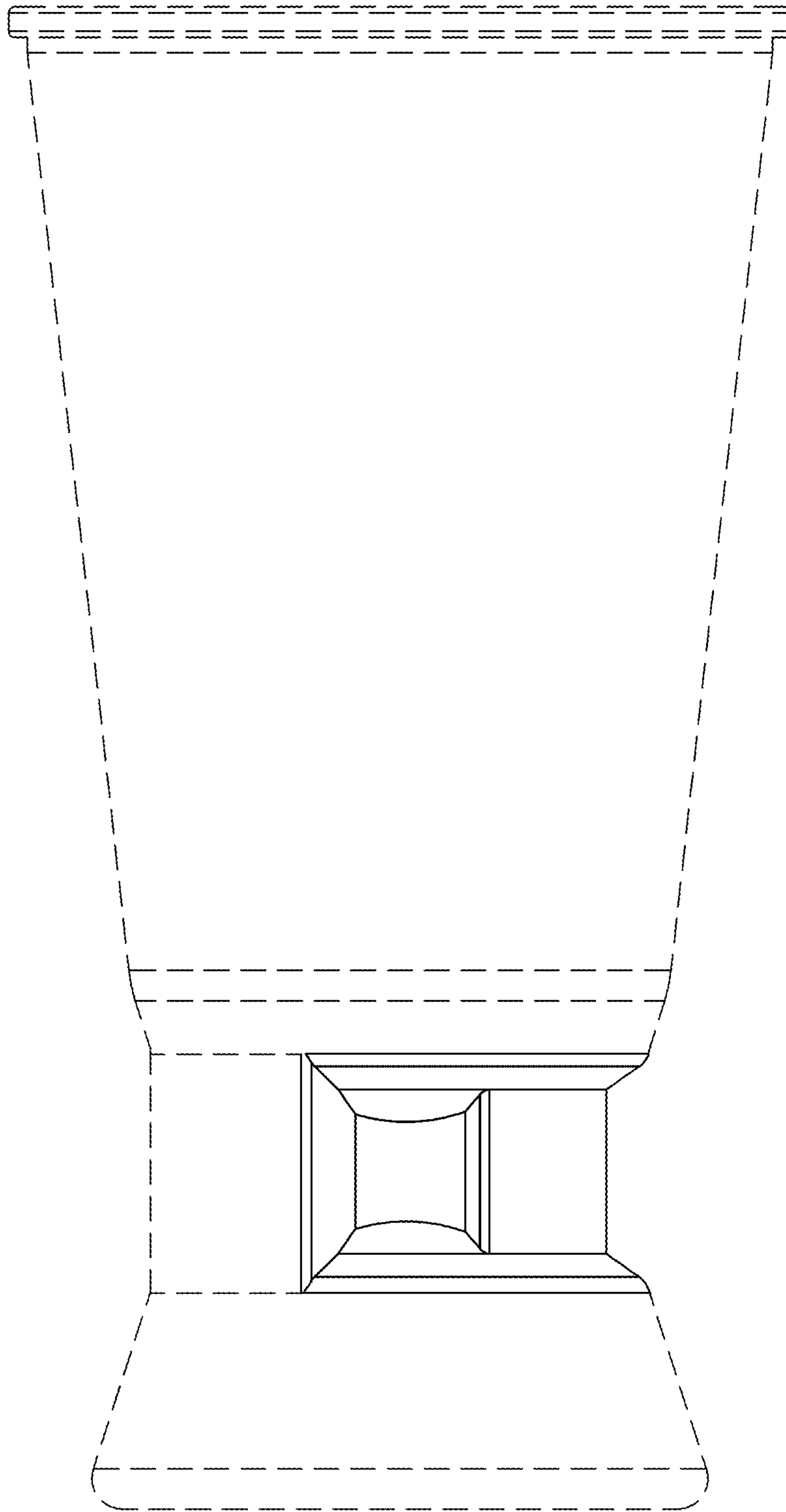




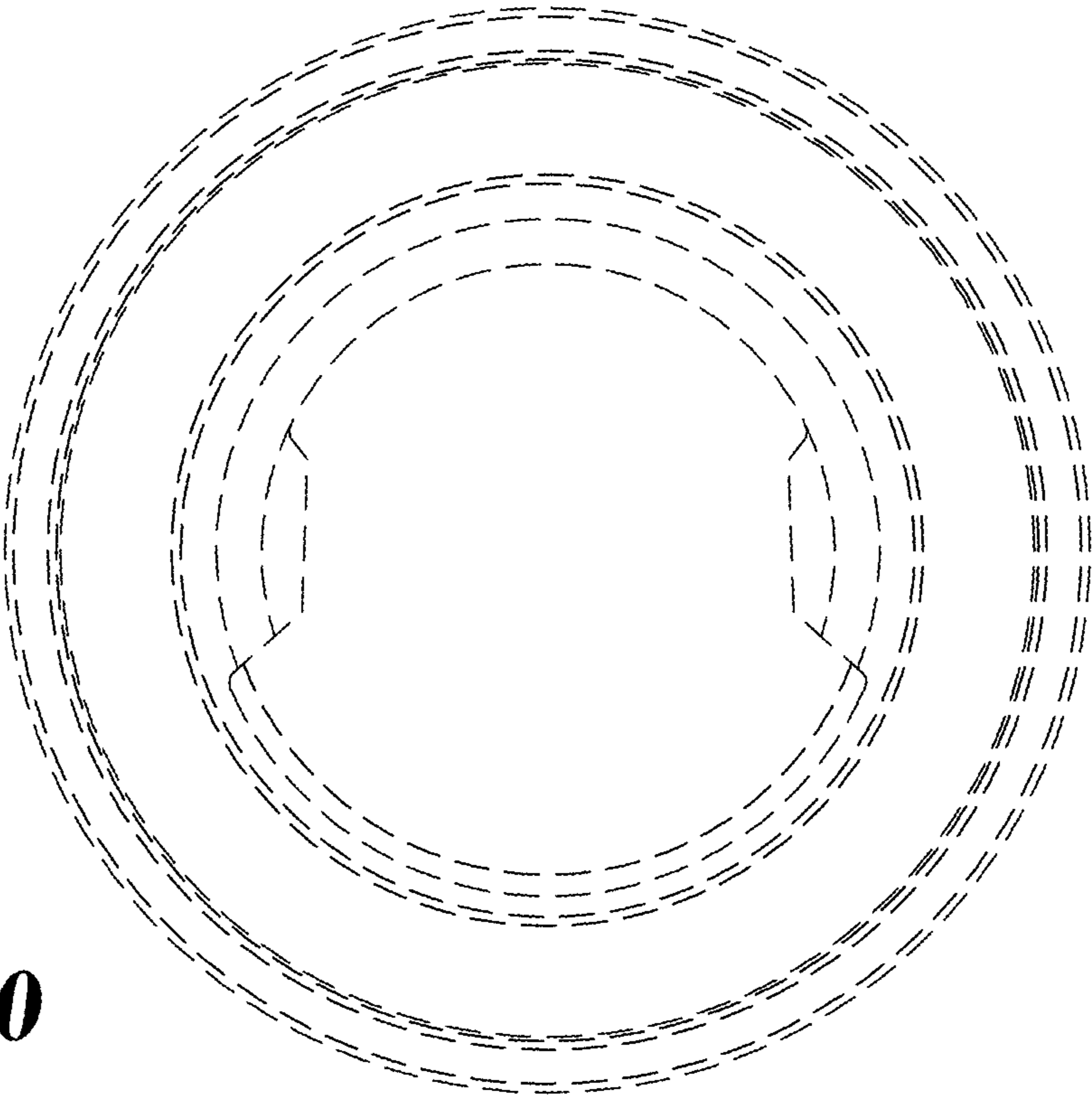
**Fig. 17**



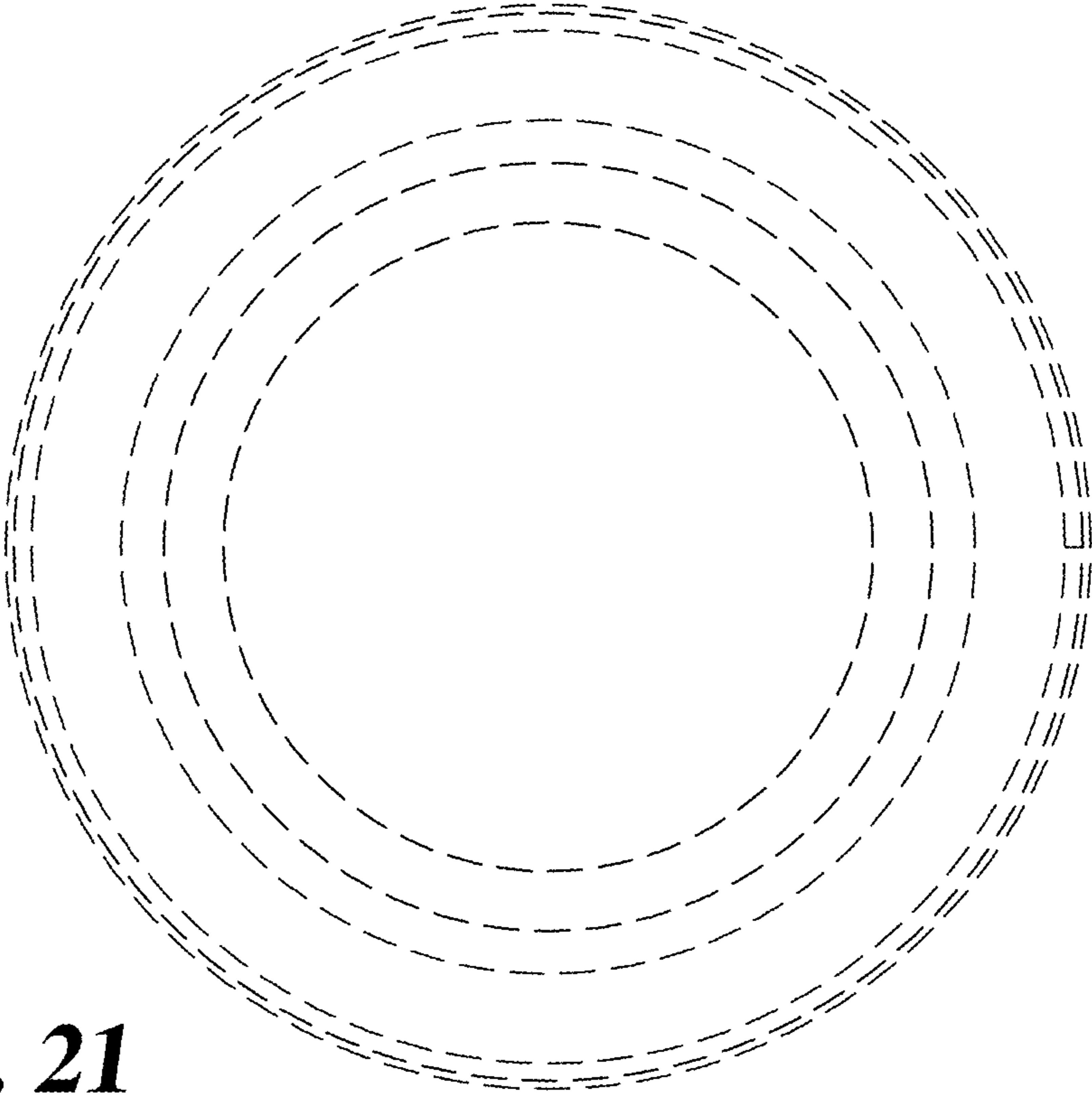
**Fig. 18**



**Fig. 19**



**Fig. 20**



**Fig. 21**