



US00D881745S

(12) **United States Design Patent**
Dionne

(10) **Patent No.:** **US D881,745 S**

(45) **Date of Patent:** **** Apr. 21, 2020**

(54) **MINI MANTLE**

(71) Applicant: **Robert Dionne**, West Chester, PA (US)

(72) Inventor: **Robert Dionne**, West Chester, PA (US)

(**) Term: **15 Years**

(21) Appl. No.: **29/645,949**

(22) Filed: **Apr. 30, 2018**

(51) **LOC (12) Cl.** **11-02**

(52) **U.S. Cl.**

USPC **D11/131**

(58) **Field of Classification Search**

USPC D11/131, 132, 133, 140, 143, 144, 149,
D11/157, 164, 184; D6/300-303, 316,
D6/320, 321, 329, 672-674, 675, 675.3;
D20/10, 19, 99; D99/17, 21; 211/13.1,
211/85.1-85.14, 12, 87.01, 90.01, 85.26,
211/35-37; 312/114, 117

CPC A47F 1/04; A47F 5/0093; A47F 5/114;
A47F 7/163; A47G 1/0616; A47G 1/12;
G09F 2013/184; G09F 2013/1877

See application file for complete search history.

(56) **References Cited**

U.S. PATENT DOCUMENTS

D264,281 S *	5/1982	Okruszynski	D11/125
D264,783 S *	6/1982	Wahl	D6/682.2
D268,238 S *	3/1983	Brescia	D6/300
D274,203 S *	6/1984	Everett	D6/675.4
D277,064 S *	1/1985	Nagle	D6/682.2
D300,094 S *	3/1989	Meyers	D6/674
D305,930 S *	2/1990	MacAleese	D23/404
D391,891 S *	3/1998	Johnson	D11/131
D398,555 S *	9/1998	Johnson	D11/131
D398,801 S *	9/1998	Shaw	D11/143
D441,545 S *	5/2001	Ungaro	D6/300
D441,546 S *	5/2001	Harwanko	D6/300
D441,689 S *	5/2001	Howard	D11/131

D455,273 S *	4/2002	Harwanko	D6/300
D661,124 S *	6/2012	Curbbun	D20/10
D684,792 S *	6/2013	Kikkert	D6/674
D727,666 S *	4/2015	Wagemans	D20/19
D734,965 S *	7/2015	Tio	D6/675
D741,091 S *	10/2015	Tio	D6/675
D769,651 S *	10/2016	Tio	D6/675
D779,240 S *	2/2017	Tio	D6/675
D779,859 S *	2/2017	Richardson	D6/675.3
D787,201 S *	5/2017	Kraemer	D6/300
D807,086 S *	1/2018	Tio	D6/675
D815,843 S *	4/2018	Gale	D6/300

(Continued)

Primary Examiner — W. A. Teddy Falloway

(57) **CLAIM**

The ornamental design for a mini mantle, as shown and described.

DESCRIPTION

FIG. 1 is a top perspective view of a mini mantle showing my new design;

FIG. 2 is a bottom perspective view thereof;

FIG. 3 is a front view thereof;

FIG. 4 is a back view thereof, showing the plane upon which, a cross-sectional view is taken and shown in FIG. 5;

FIG. 5 is a vertical cross-sectional view thereof taken along line 5-5 of FIG. 4;

FIG. 6 is a magnified view of a groove portion on the mini mantle shown in FIG. 5;

FIG. 7 is a top view thereof;

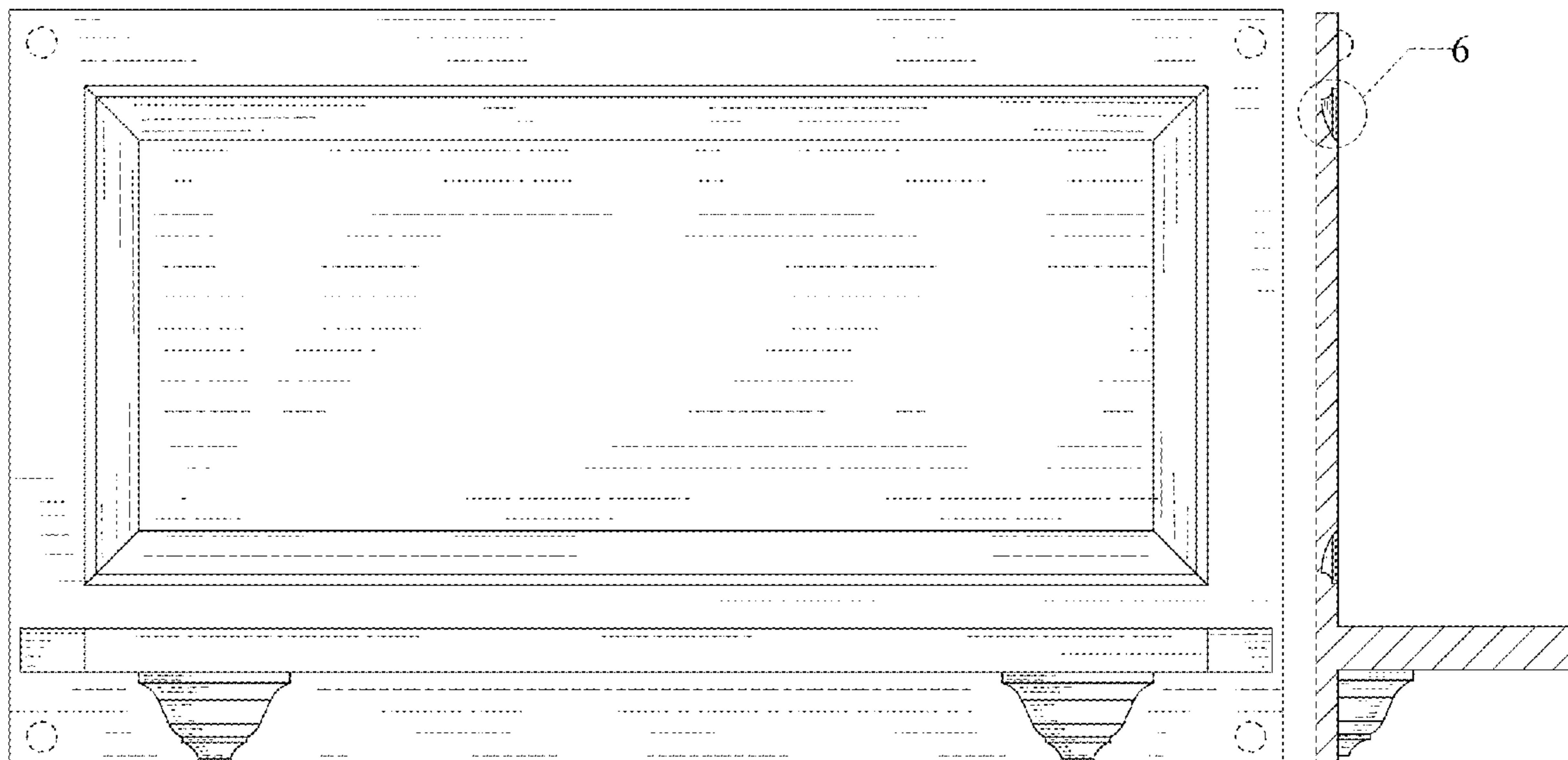
FIG. 8 is a bottom view thereof;

FIG. 9 is a left view thereof; and,

FIG. 10 is a right view thereof.

The broken lines showing of a back in FIGS. 1-2 and FIGS. 4-10, and the broken lines showing of protrusions in FIG. 1, FIG. 3, FIG. 5, and FIGS. 7-10 are included for the purpose of showing environmental structure and form no part of the claimed design.

1 Claim, 10 Drawing Sheets



(56)

References Cited

U.S. PATENT DOCUMENTS

D815,864 S *	4/2018	Burton	D6/675
D824,702 S *	8/2018	Tio	D6/675
D867,035 S *	11/2019	Brugger	D6/675
D867,036 S *	11/2019	Brugger	D6/675
D871,807 S *	1/2020	Spielmann	D6/675
D872,800 S *	1/2020	Kan	D19/113
2016/0217718 A1 *	7/2016	Silver	G09F 13/18

* cited by examiner

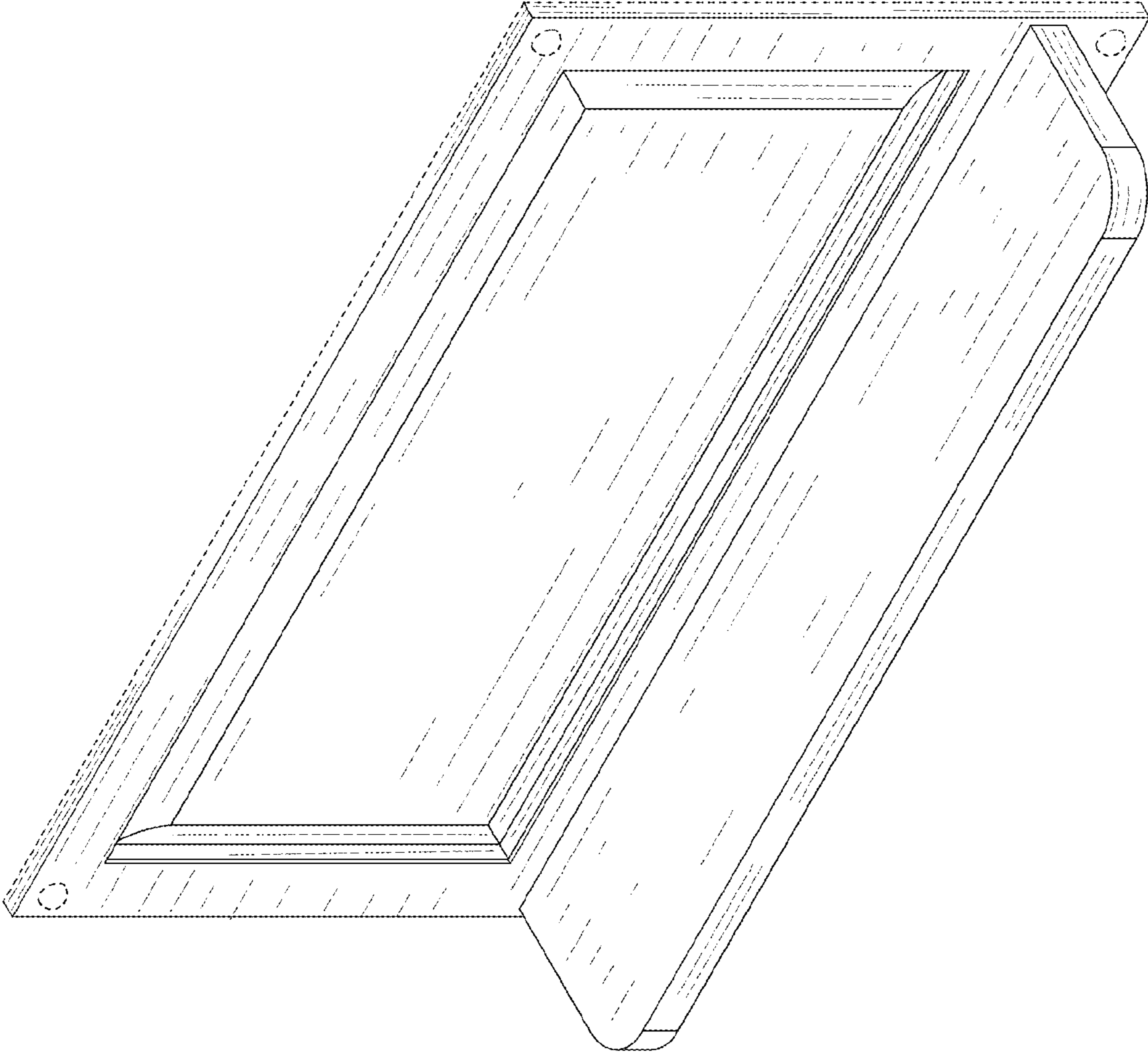


FIG. 1

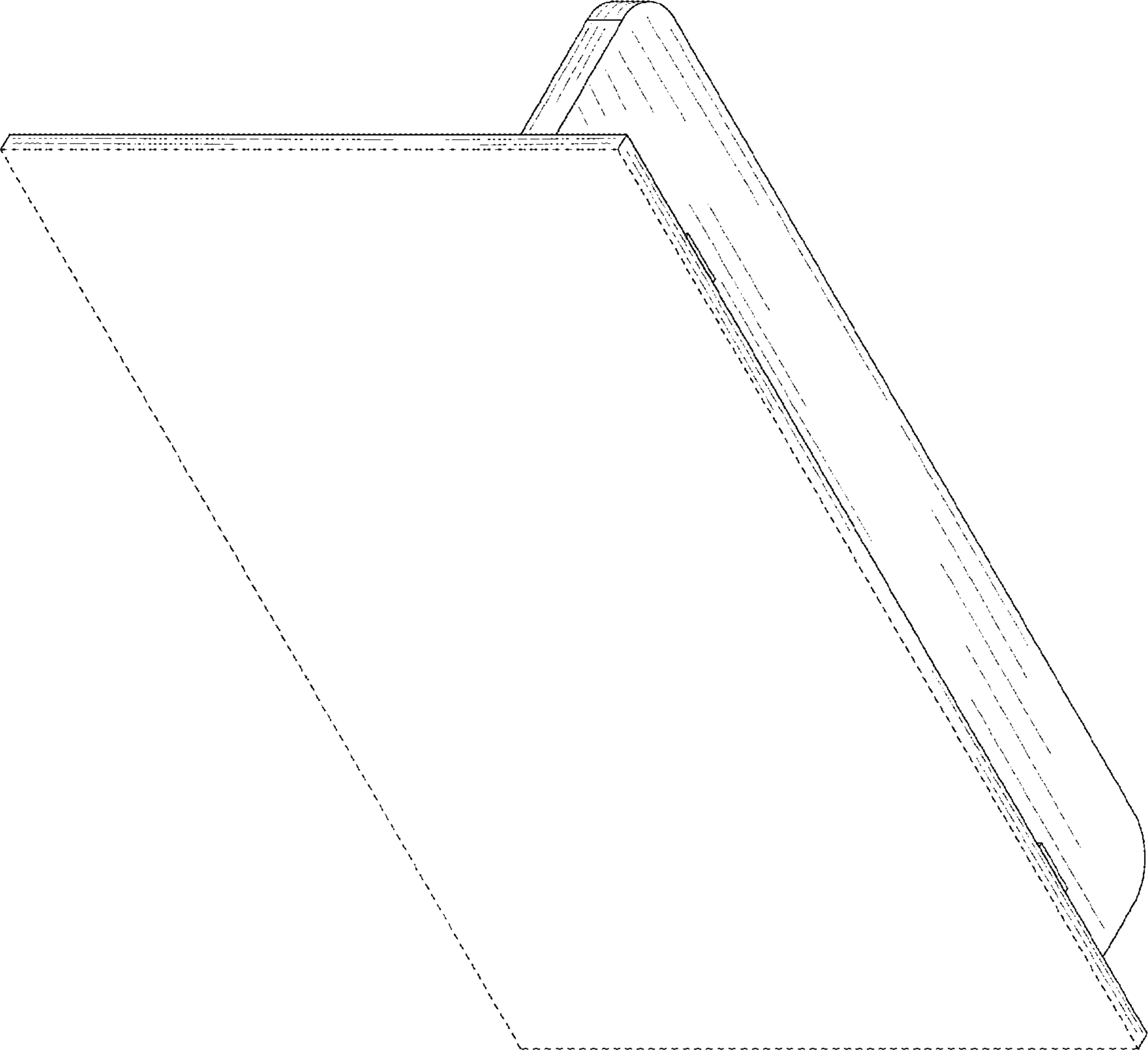


FIG. 2

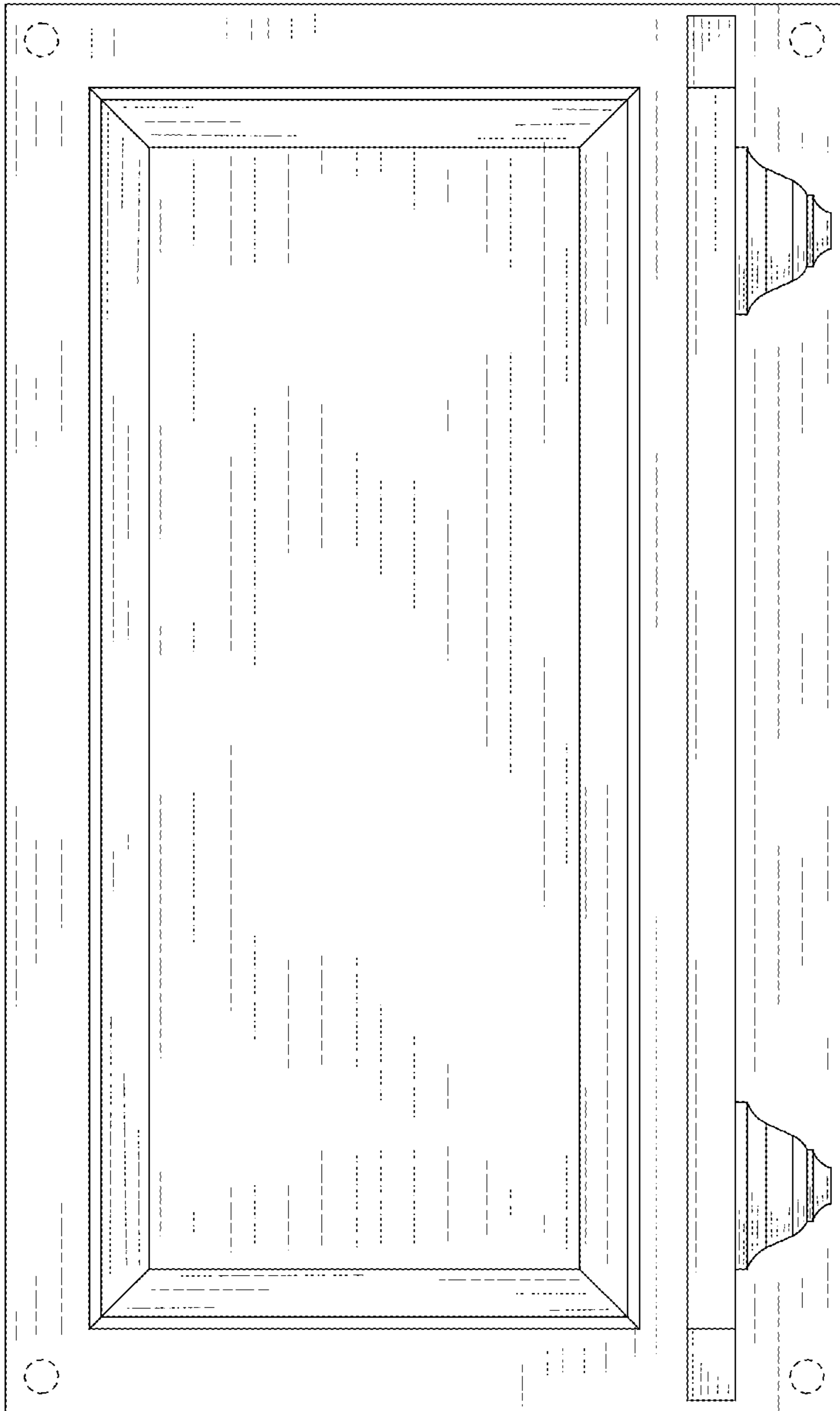


FIG. 3

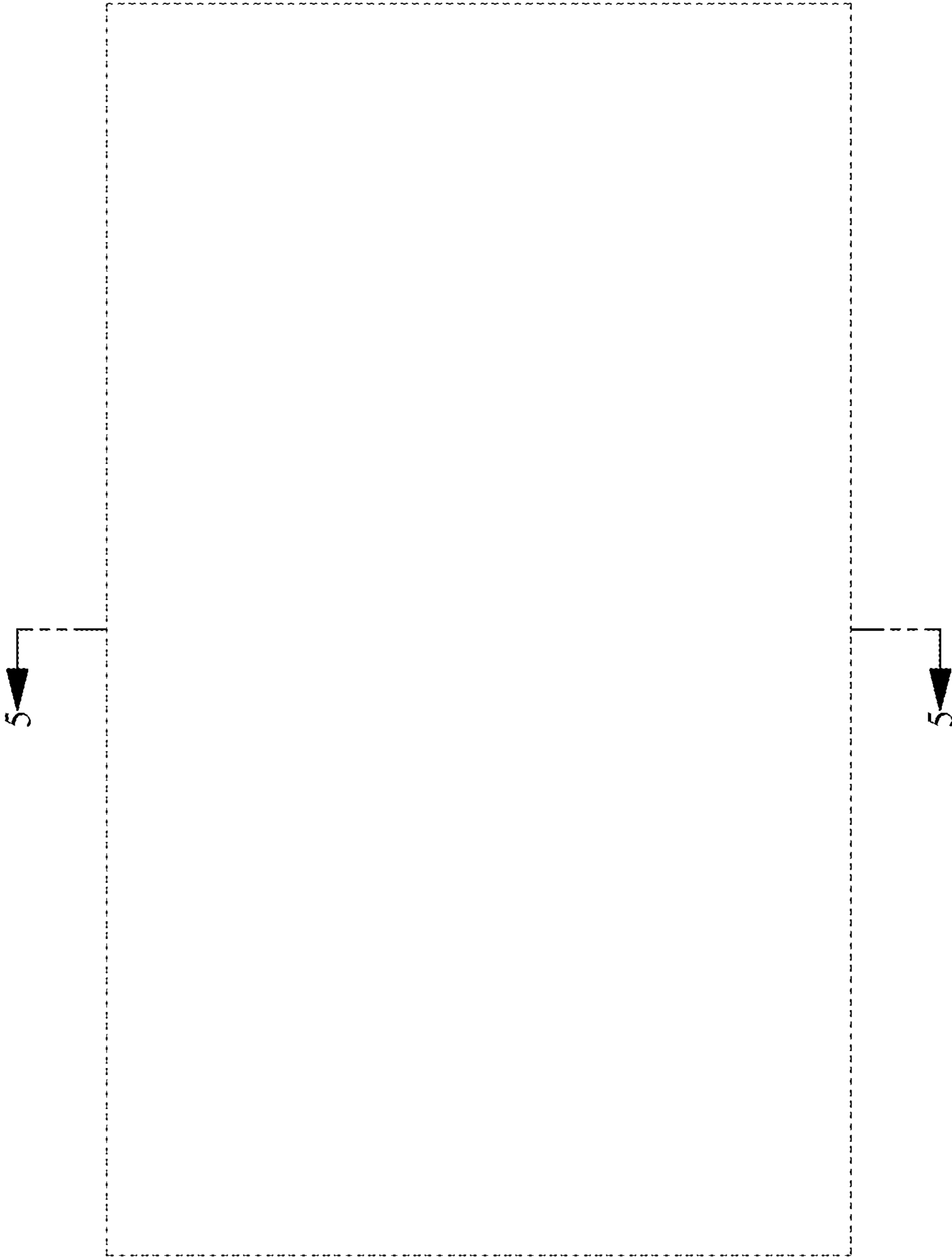


FIG. 4

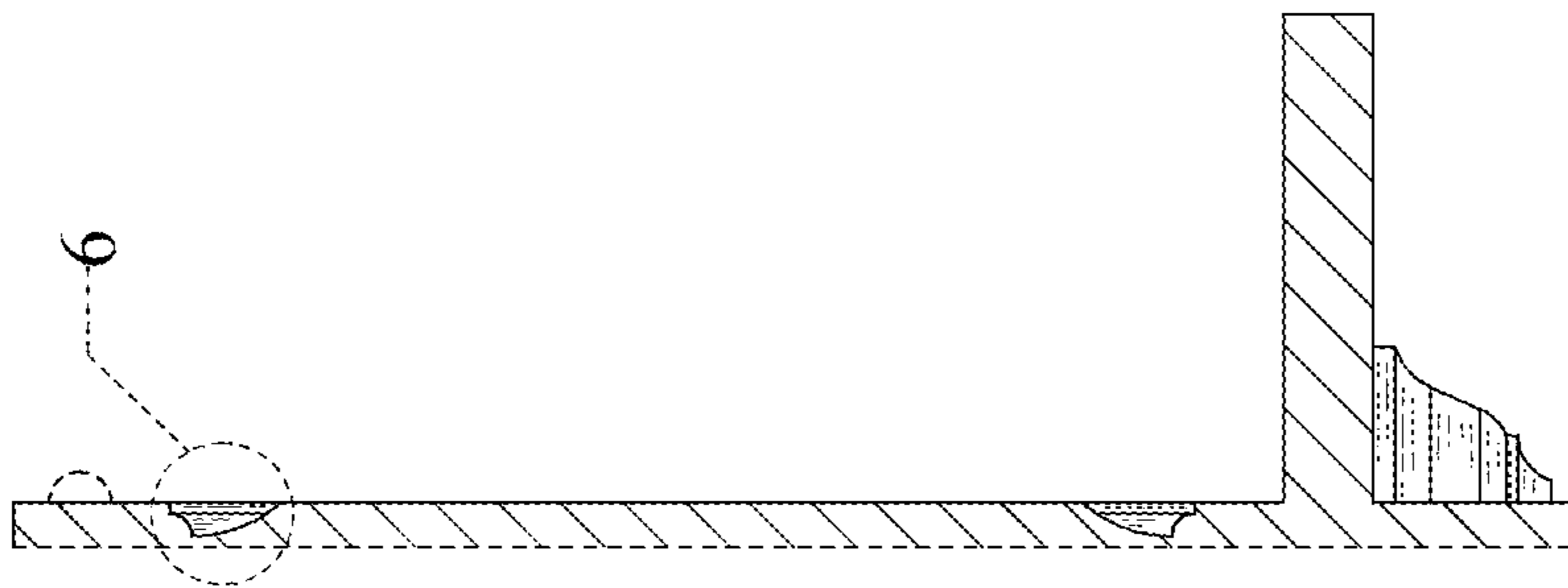


FIG. 5

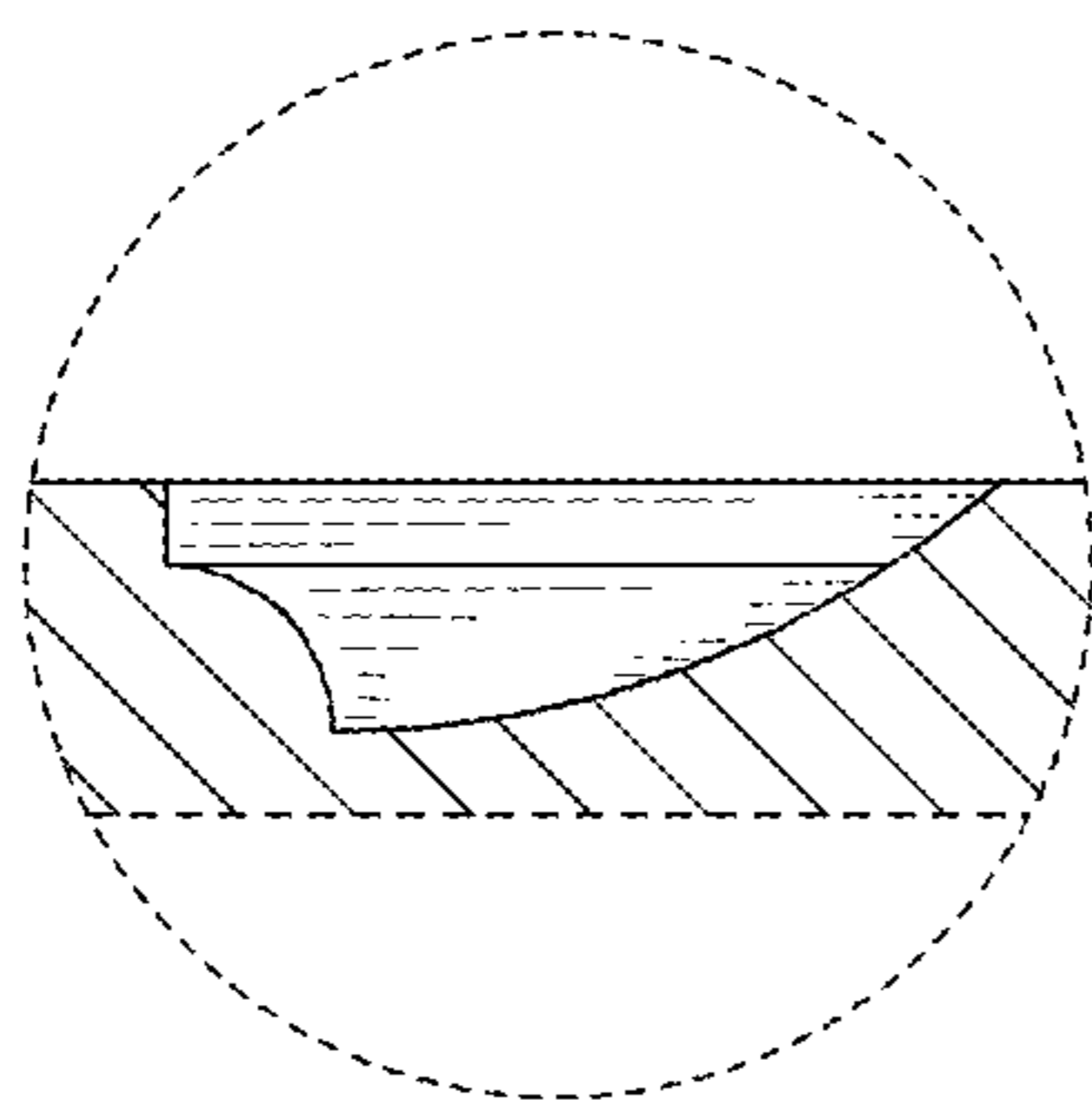


FIG. 6

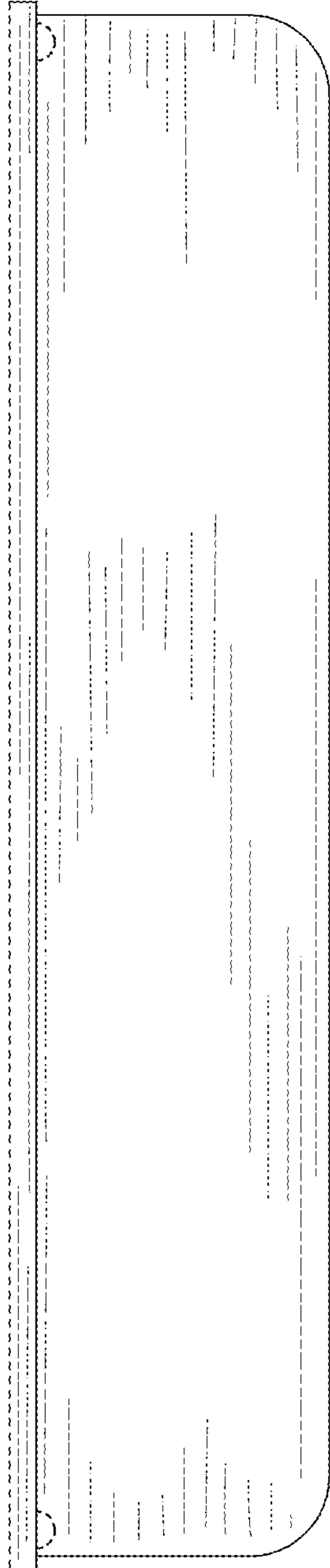


FIG. 7

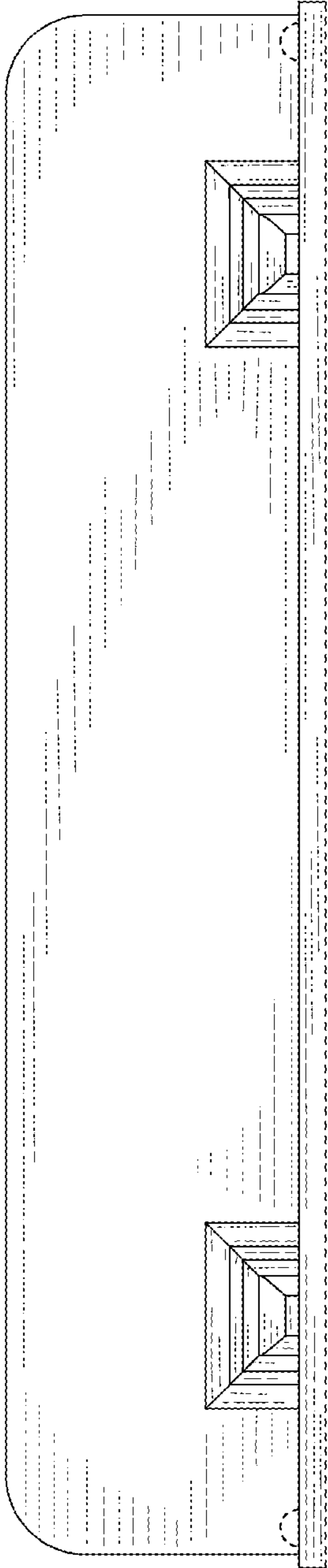


FIG. 8



FIG. 9

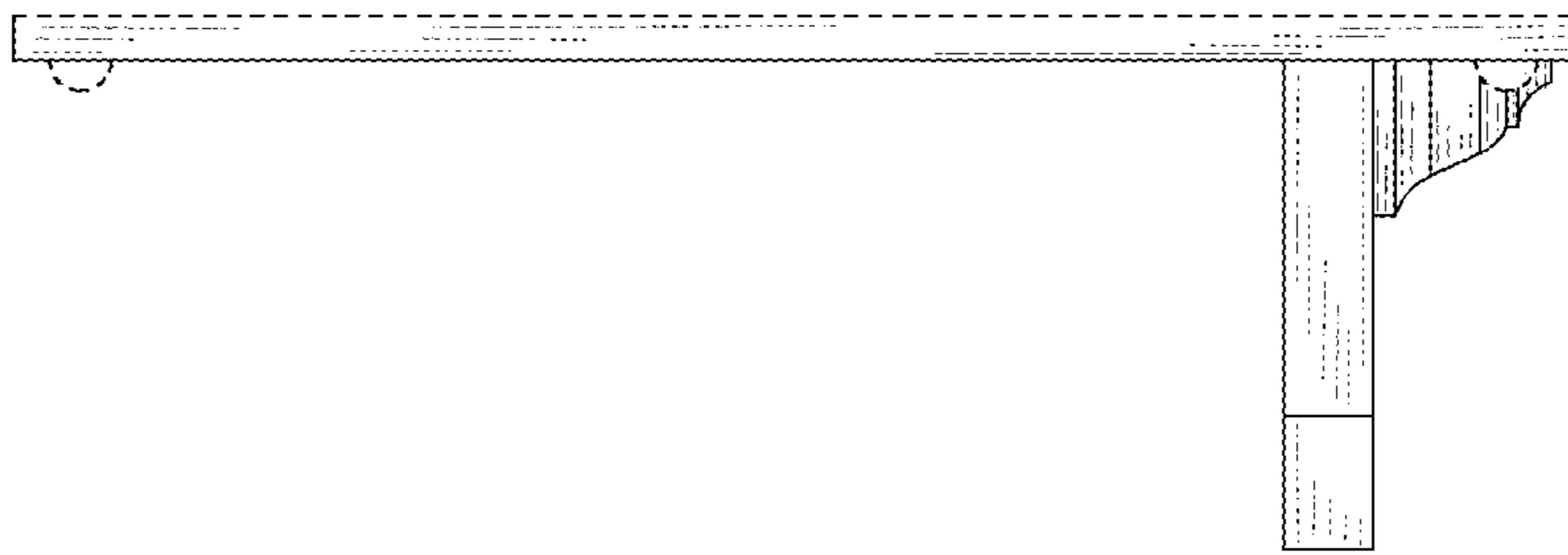


FIG. 10