



US00D881742S

(12) **United States Design Patent** (10) **Patent No.:** **US D881,742 S**
Gruosi-Scheufele (45) **Date of Patent:** **** *Apr. 21, 2020**

(54) **PENDANT**

(71) Applicant: **CHOPARD INTERNATIONAL SA,**
Prangins (CH)

(72) Inventor: **Karolin Gruosi-Scheufele,** Prangins
(CH)

(73) Assignee: **CHOPARD INTERNATIONAL SA,**
Prangins (CH)

(*) Notice: This patent is subject to a terminal disclaimer.

(**) Term: **15 Years**

(21) Appl. No.: **29/610,257**

(22) Filed: **Jul. 11, 2017**

(30) **Foreign Application Priority Data**

Jan. 12, 2017 (WO) DM/094 683

(51) **LOC (12) Cl.** **11-01**

(52) **U.S. Cl.**
USPC **D11/79; D11/93**

(58) **Field of Classification Search**
USPC D11/1-25, 40, 41, 43-46, 48, 69, 77, 78,
D11/79, 80, 81, 86, 87, 93, 97, 98, 201,
D11/203, 208, 209, 211, 218, 219
CPC .. A44C 5/00; A44C 5/02; A44C 5/025; A44C
5/027; A44C 5/0007; A44C 5/0053; A44C
5/0076; A44C 5/2028; A44C 5/102; A44C
5/105; A44C 5/12; A44C 5/14; A44C
5/18; A44C 17/02; A44C 17/0216; A44C
17/0258; A44C 17/0266
See application file for complete search history.

(56) **References Cited**

U.S. PATENT DOCUMENTS

D7,417 S * 5/1874 Cottle D11/86
D75,488 S * 6/1928 Grasmere D11/87

D120,593 S * 5/1940 Philippe D11/10
D131,373 S * 2/1942 Chernow D11/12
D243,836 S * 3/1977 Durante D11/12
D246,357 S * 11/1977 Durante D11/40
D340,879 S * 11/1993 French D11/3
D390,129 S * 2/1998 Brzezinski D10/32
D407,035 S * 3/1999 Ambar D11/6
D411,899 S * 7/1999 Martz D11/7
D566,603 S * 4/2008 Bulgari D11/7
D595,174 S * 6/2009 Hardy D11/11
D643,325 S * 8/2011 Marchand D11/43
D651,930 S * 1/2012 Marchand D11/3
D672,678 S * 12/2012 Nadeau D11/11
D707,150 S * 6/2014 Pugnet D11/13
D720,647 S * 1/2015 Kwon D11/43
D723,412 S * 3/2015 Kwon D11/16

(Continued)

OTHER PUBLICATIONS

Ice Cube Jewelry (available online) Retrieved from the internet
Aug. 6, 2019 from URL: <https://www.chopard.com/us/jewelry/ice-cube>.*

(Continued)

Primary Examiner — George A Bugg
Assistant Examiner — Richard Kearney
(74) *Attorney, Agent, or Firm* — McGlew and Tuttle, P.C.

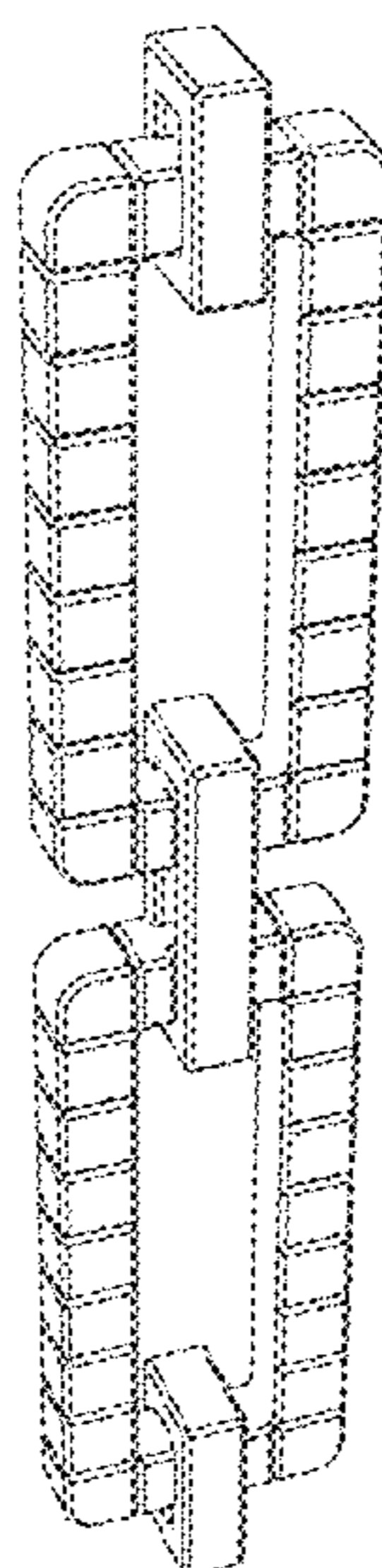
(57) **CLAIM**

The ornamental design for a pendant, as shown and described.

DESCRIPTION

FIG. 1 is a perspective view of the design;
FIG. 2 is a view of the back of the design;
FIG. 3 is a view of the bottom of the design;
FIG. 4 is a view of the front of the design;
FIG. 5 is a view of the left side of the design;
FIG. 6 is a view of the right side of the design; and,
FIG. 7 is a view of the top of the design.

1 Claim, 7 Drawing Sheets



(56)

References Cited

U.S. PATENT DOCUMENTS

D761,152 S * 7/2016 Wong D11/93
D831,522 S * 10/2018 Gruosi-Scheufele D11/4
D833,326 S * 11/2018 Pierce D11/121
D837,676 S * 1/2019 Gruosi-Scheufele D11/4

OTHER PUBLICATIONS

Roberto_Coin_Classica_Parisienne_Rectangle_Link_Necklace_with_Diamonds (available online) Retrieved from the internet Aug. 6, 2019 from URL: <https://wilsonandsonjewelers.com/roberto-coin-classica-parisienne-rectangle-link-necklace-with-diamonds.html>.*

Dana-kellin-fine-jewelry--Sideways-Rectangular-Link-Necklace (available online) Retrieved from the internet Aug. 6, 2019 from URL: <https://cdna.lystit.com/photos/stanleykorshak/e78a345a/dana-kellin-fine-jewelry--Sideways-Rectangular-Link-Necklace.jpeg>.*

* cited by examiner

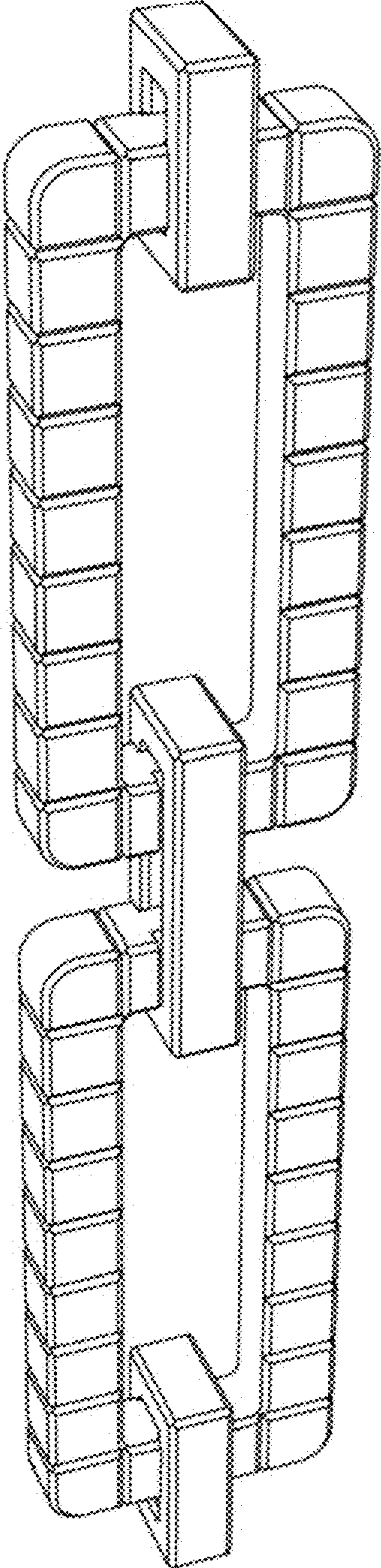


Fig. 1

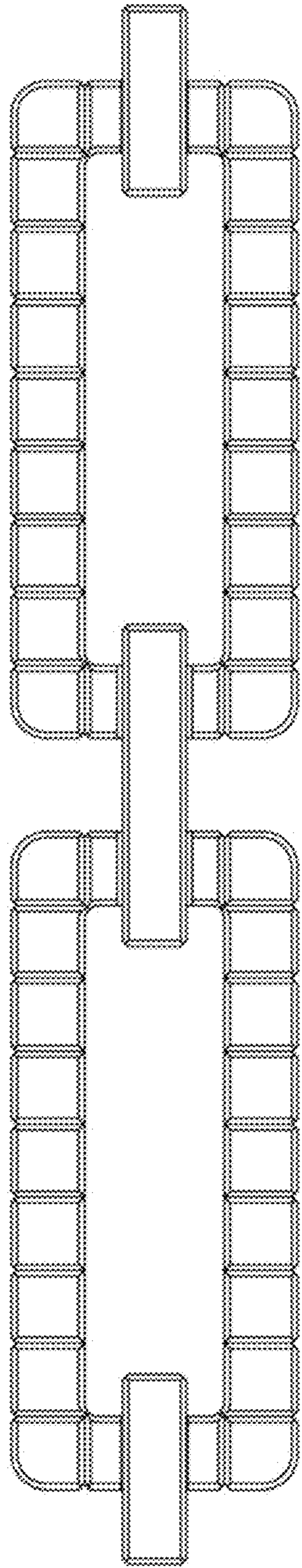


Fig. 2

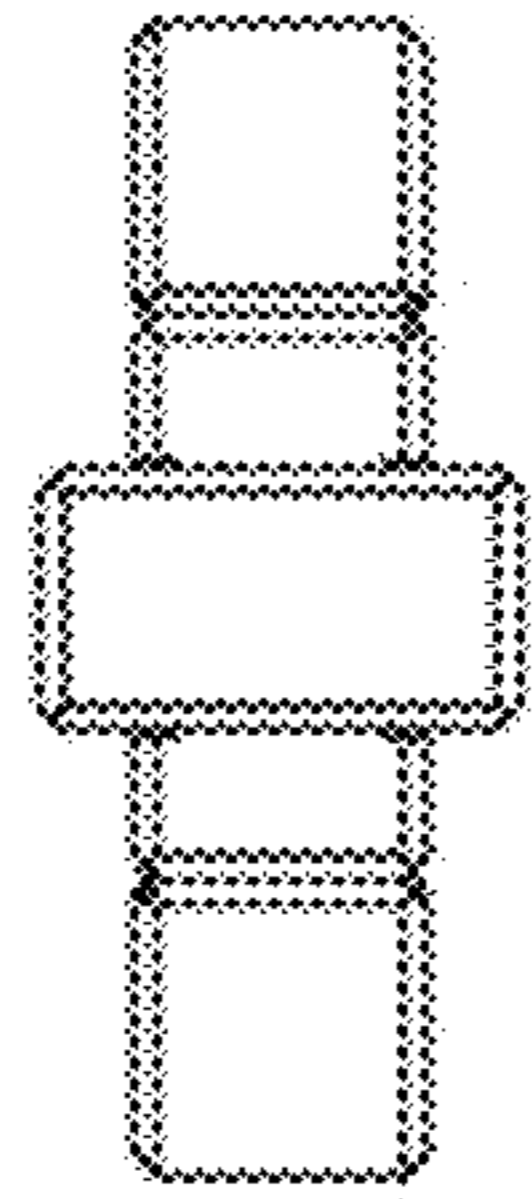


Fig. 3

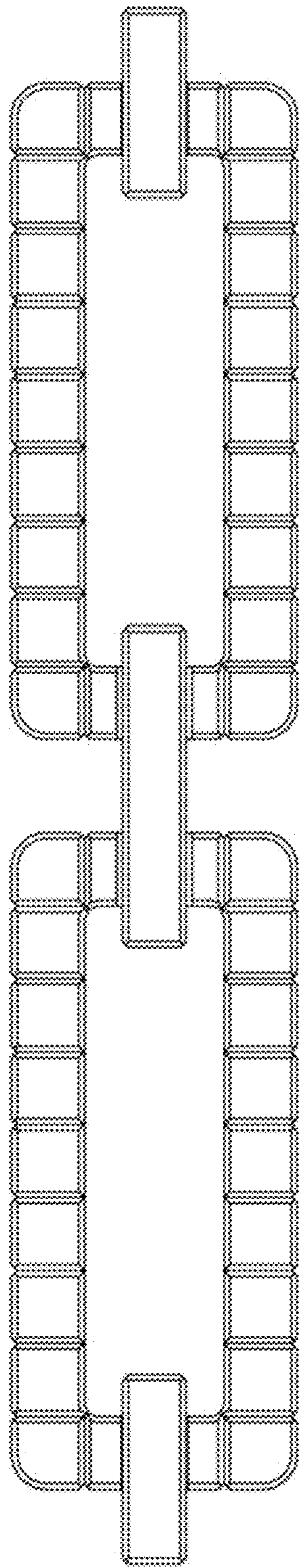


Fig. 4

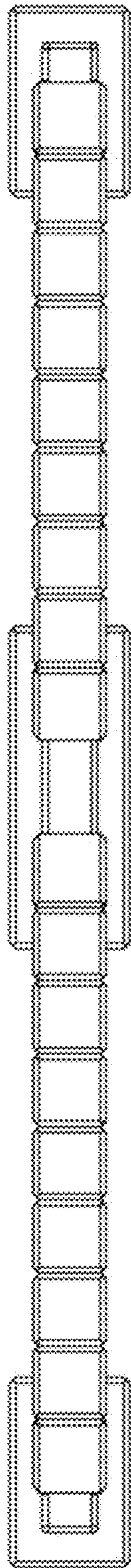


Fig. 5

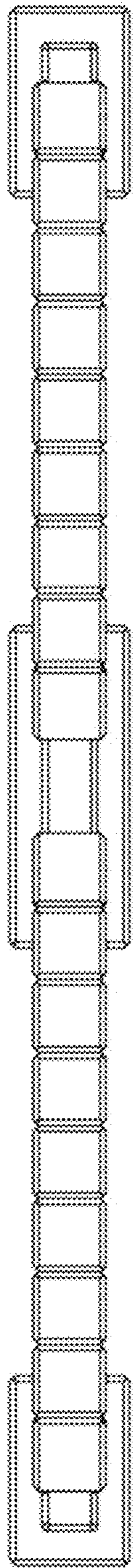


Fig. 6

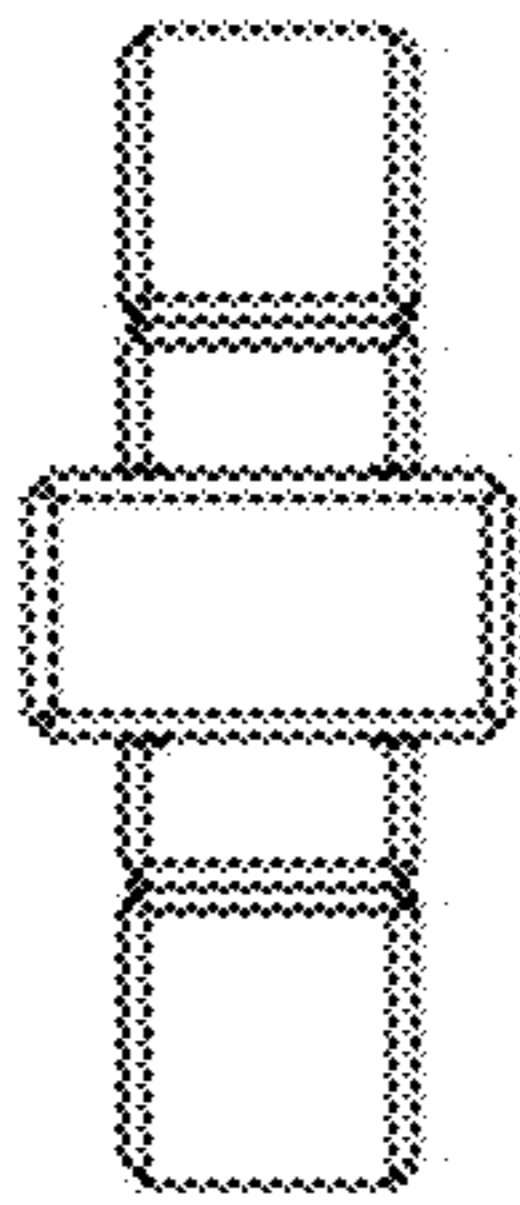


Fig. 7