



US00D881741S

(12) **United States Design Patent**
Tang

(10) **Patent No.:** **US D881,741 S**

(45) **Date of Patent:** **** Apr. 21, 2020**

(54) **EARRING**

(71) Applicant: **Yiwu Xinzhang E-commerce Co., Ltd., Yiwu (CN)**

(72) Inventor: **Yeqing Tang, Yiwu (CN)**

(73) Assignee: **Yiwu Xinzhang E-commerce Co., Ltd., Yiwu (CN)**

(**) Term: **15 Years**

(21) Appl. No.: **29/713,392**

(22) Filed: **Nov. 15, 2019**

(51) **LOC (12) Cl.** **11-01**

(52) **U.S. Cl.**
USPC **D11/40**

(58) **Field of Classification Search**
USPC D11/40-48, 3, 4, 11-14
CPC A44C 7/00; A44C 7/002; A44C 7/003;
A44C 7/004; A44C 7/005; A44C 7/006;
A44C 7/007; A44C 7/008; A44C 7/009;
A44C 5/00

See application file for complete search history.

(56) **References Cited**

U.S. PATENT DOCUMENTS

D128,297 S * 7/1941 Healy D11/5
D199,537 S * 11/1964 Sklar D11/39
3,861,169 A * 1/1975 Dansereau A44C 7/00
63/12
D271,672 S * 12/1983 Bulgari D11/20
4,630,452 A * 12/1986 Connelly A44C 7/003
24/108

D374,837 S 10/1996 Austin
D391,887 S 3/1998 Barr
5,743,114 A * 4/1998 Barr A44C 7/00
63/12
D529,834 S * 10/2006 Yurman D11/3
D562,718 S 2/2008 Wong
D592,538 S 5/2009 Momjian
D753,533 S 4/2016 Roth
9,392,849 B1 * 7/2016 Makhouljian A44C 7/003
D791,006 S * 7/2017 Ramsey D11/4
D815,553 S * 4/2018 Fillon D11/4
D824,274 S * 7/2018 Trafton D11/3
D831,522 S * 10/2018 Gruosi-Scheufele D11/4
2016/0037881 A1 * 2/2016 Thomas A44C 7/008
24/705

* cited by examiner

Primary Examiner — Melanie Pellegrini

(74) *Attorney, Agent, or Firm* — ScienBiziP, P.C.

(57) **CLAIM**

The ornamental design for an earring, as shown and described.

DESCRIPTION

FIG. 1 is a top, front, left side perspective view of an earring, showing my design.

FIG. 2 is a front elevation view thereof.

FIG. 3 is a rear elevation view thereof.

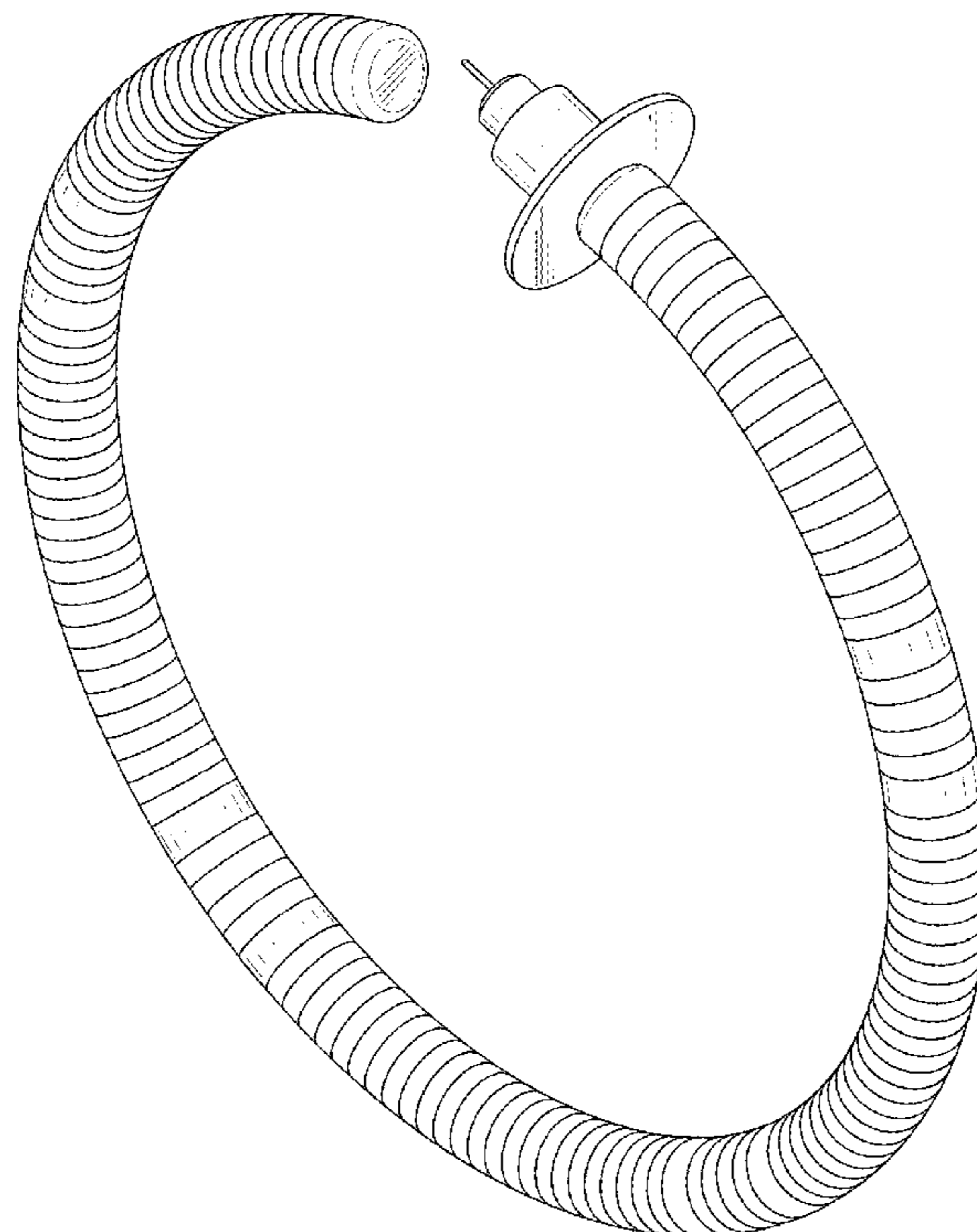
FIG. 4 is a left side elevation view thereof.

FIG. 5 is a right side elevation view thereof.

FIG. 6 is a top plan view thereof; and,

FIG. 7 is a bottom plan view thereof.

1 Claim, 7 Drawing Sheets



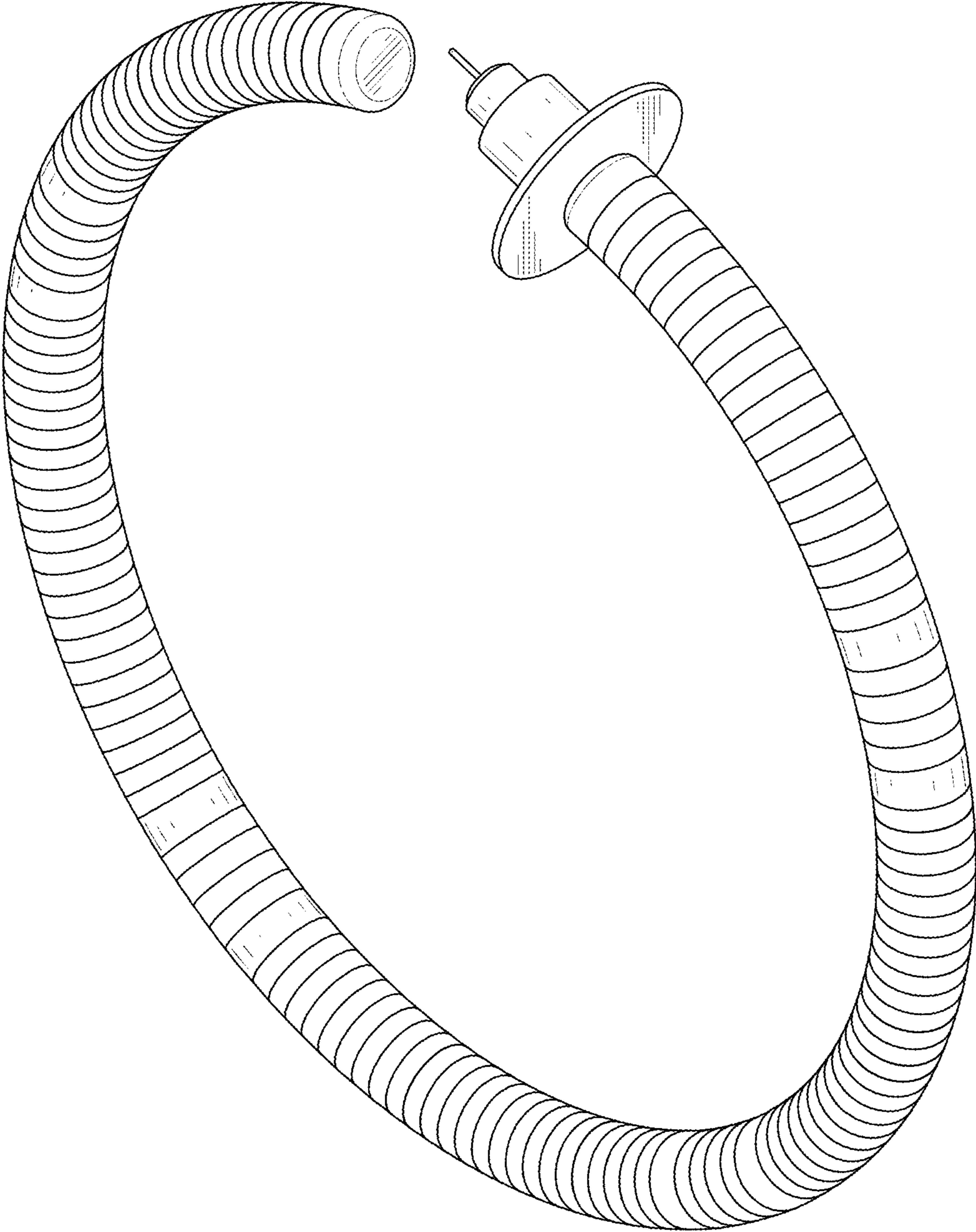


FIG. 1

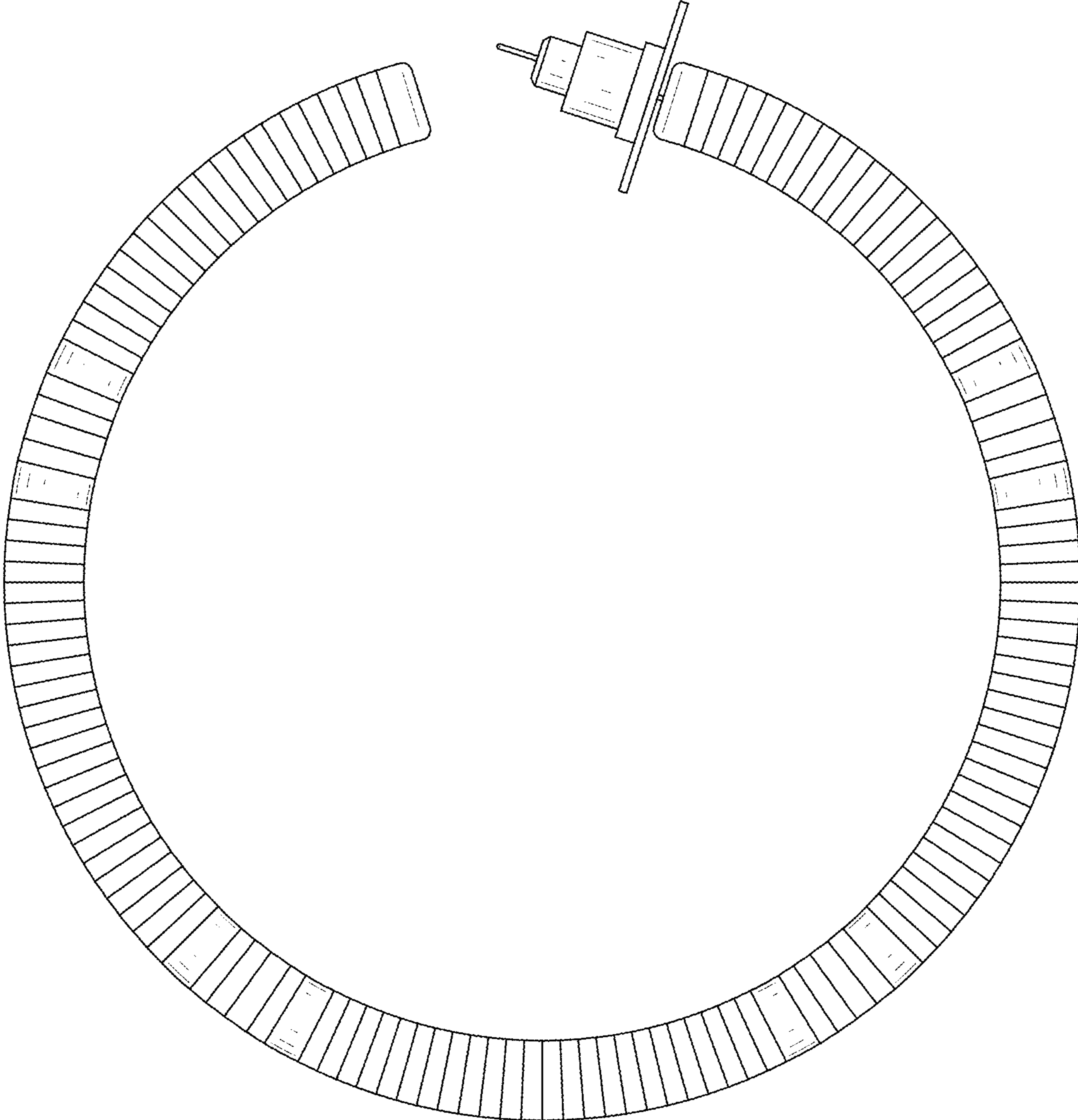


FIG. 2

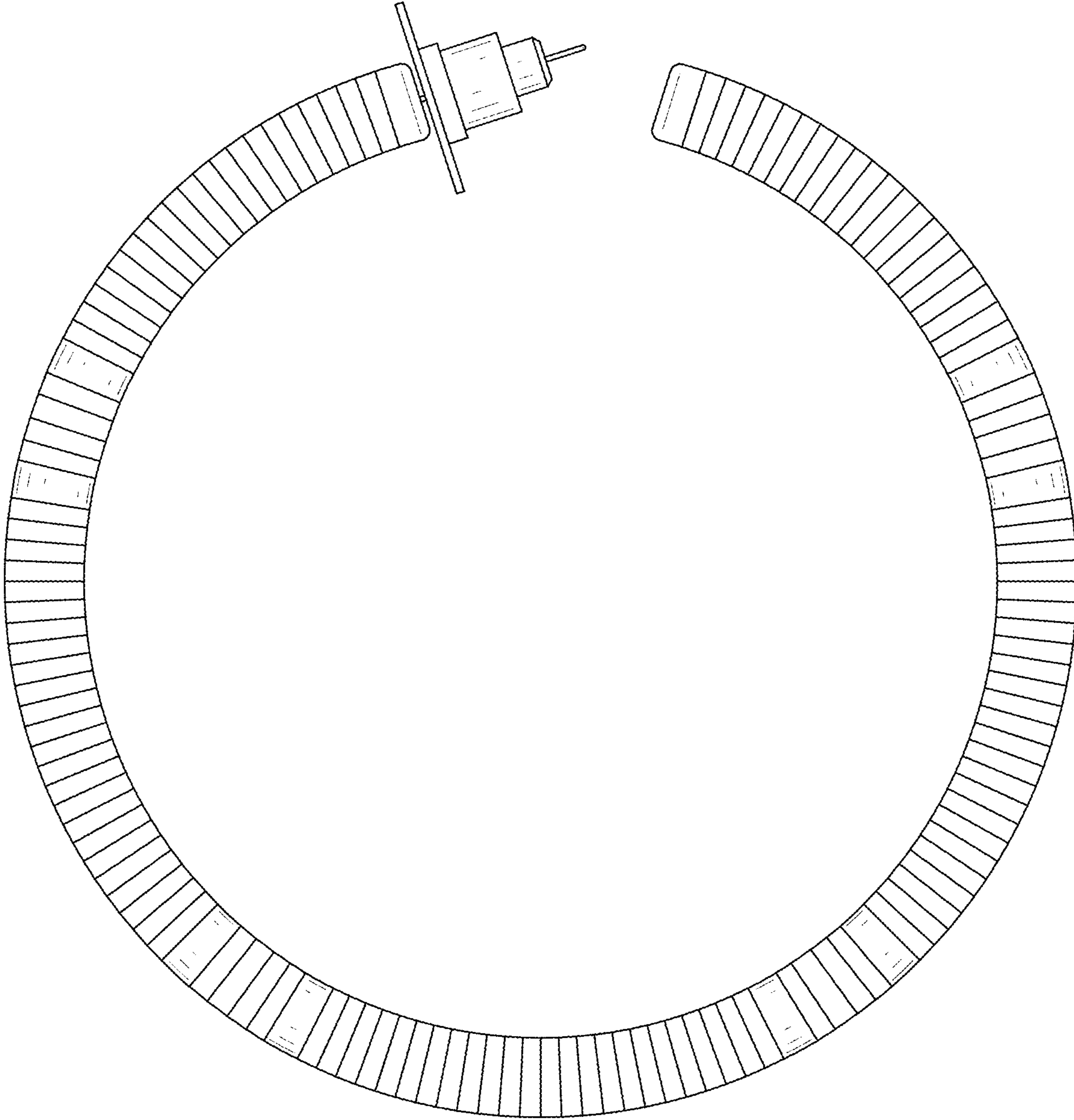


FIG. 3

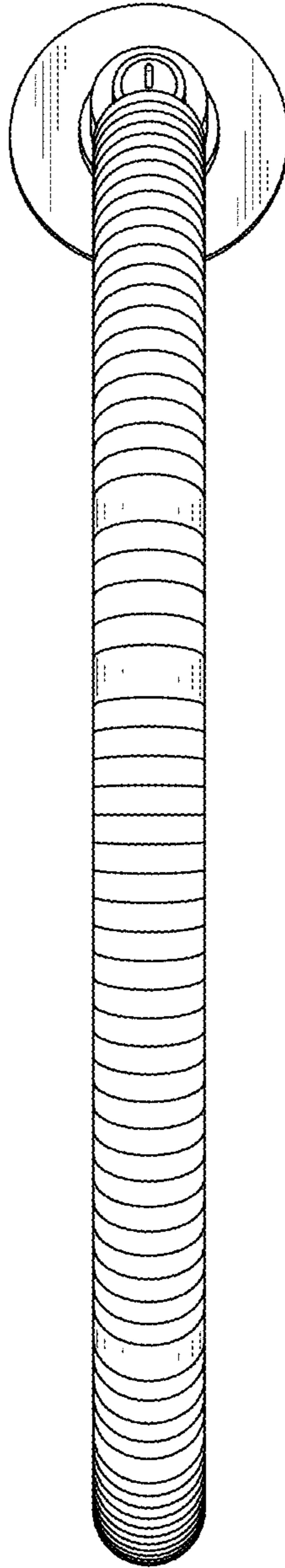


FIG. 4

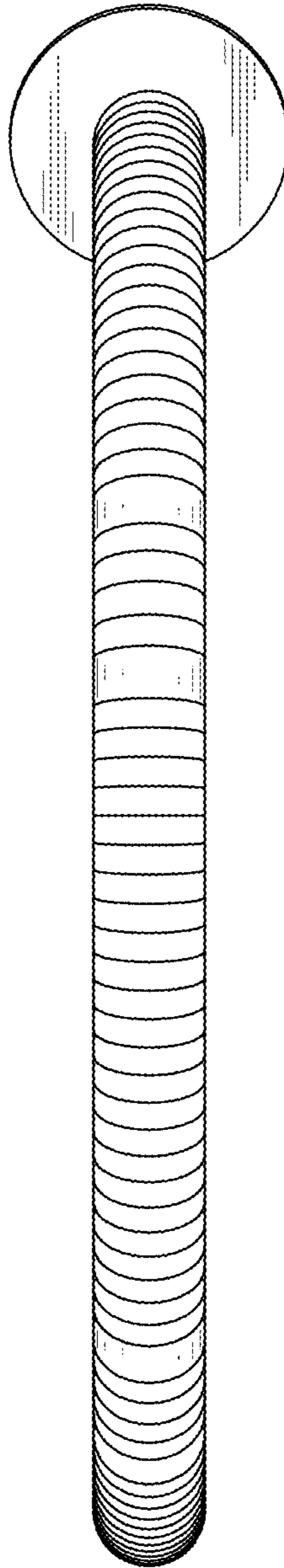


FIG. 5

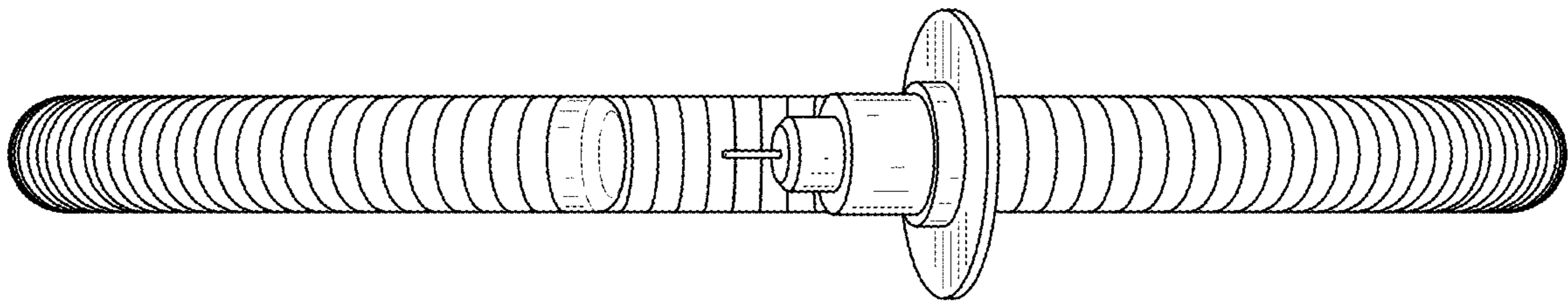


FIG. 6

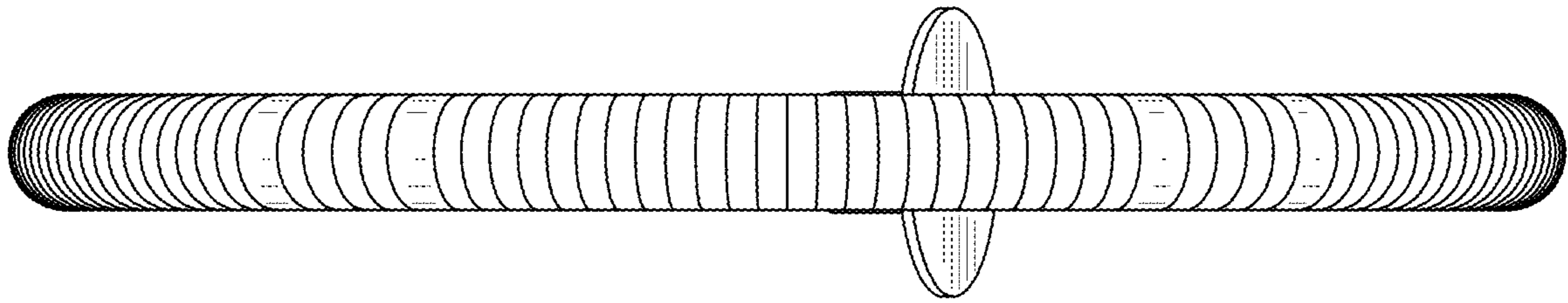


FIG. 7