



US00D881739S

(12) **United States Design Patent**
Deng et al.

(10) **Patent No.:** **US D881,739 S**
(45) **Date of Patent:** **** Apr. 21, 2020**

(54) **WATCHBAND**

Primary Examiner — Melanie Pellegrini

(71) Applicant: **SHENZHEN BAILINNAO TECHNOLOGY CO., LTD.**, Shenzhen (CN)

(57) **CLAIM**

The ornamental design for a watchband, as shown and described.

(72) Inventors: **Jianjie Deng**, Guilin (CN); **Xu Guang Zou**, Yueyang (CN)

DESCRIPTION

(73) Assignee: **SHENZHEN BAILINNAO TECHNOLOGY CO., LTD.**, Shenzhen (CN)

FIG. 1 is a perspective view of a first embodiment of a watchband showing my new design; FIG. 2 is another perspective thereof; FIG. 3 is a front elevational view thereof; FIG. 4 is a rear elevational view thereof; FIG. 5 is a left side elevational view thereof; FIG. 6 is a right side elevational view thereof; FIG. 7 is a top plan view thereof; FIG. 8 is a bottom plan view thereof; FIG. 9 is a perspective view of the watchband where the watchband is in a configuration of use; FIG. 10 is an enlarged view of portion 10 shown in FIG. 1; FIG. 11 is an enlarged view of portion 11 shown in FIG. 2; FIG. 12 is a perspective view of a second embodiment of the watchband showing my new design; FIG. 13 is another perspective view thereof; FIG. 14 is a front elevational view thereof; FIG. 15 is a rear elevational view thereof; FIG. 16 is a left side elevational view thereof; FIG. 17 is a right side elevational view thereof; FIG. 18 is a top plan view thereof; FIG. 19 is a bottom plan view thereof; FIG. 20 is an enlarged view of portion 20 shown in FIG. 12; and, FIG. 21 is an enlarged view of portion 21 shown in FIG. 13. The evenly spaced broken lines shown in the drawings illustrate portions of the watchband that form no part of the claimed design. The dot-dash style broken lines shown in FIGS. 1, 2, 10, 11, 12, 13, 20 and 21 represent boundaries which form no part of the claimed design.

(**) Term: **15 Years**

(21) Appl. No.: **29/713,327**

(22) Filed: **Nov. 15, 2019**

(51) **LOC (12) Cl.** **11-01**

(52) **U.S. Cl.**
USPC **D11/3**

(58) **Field of Classification Search**

USPC D11/1-25, 86, 93, 94; D10/30-39, 70, D10/46; D24/186, 167; D14/344
CPC G04B 37/1486; G04B 37/16; G04B 37/18; A44C 5/14; A44C 5/0053; A44C 5/0069; A44C 5/0076; A44C 5/00; A44C 5/0007; A44C 5/0015; A44C 5/0023; A44C 5/003; A44C 5/0061; A44C 5/12; A44C 5/147; A44C 5/18; A44C 5/185

See application file for complete search history.

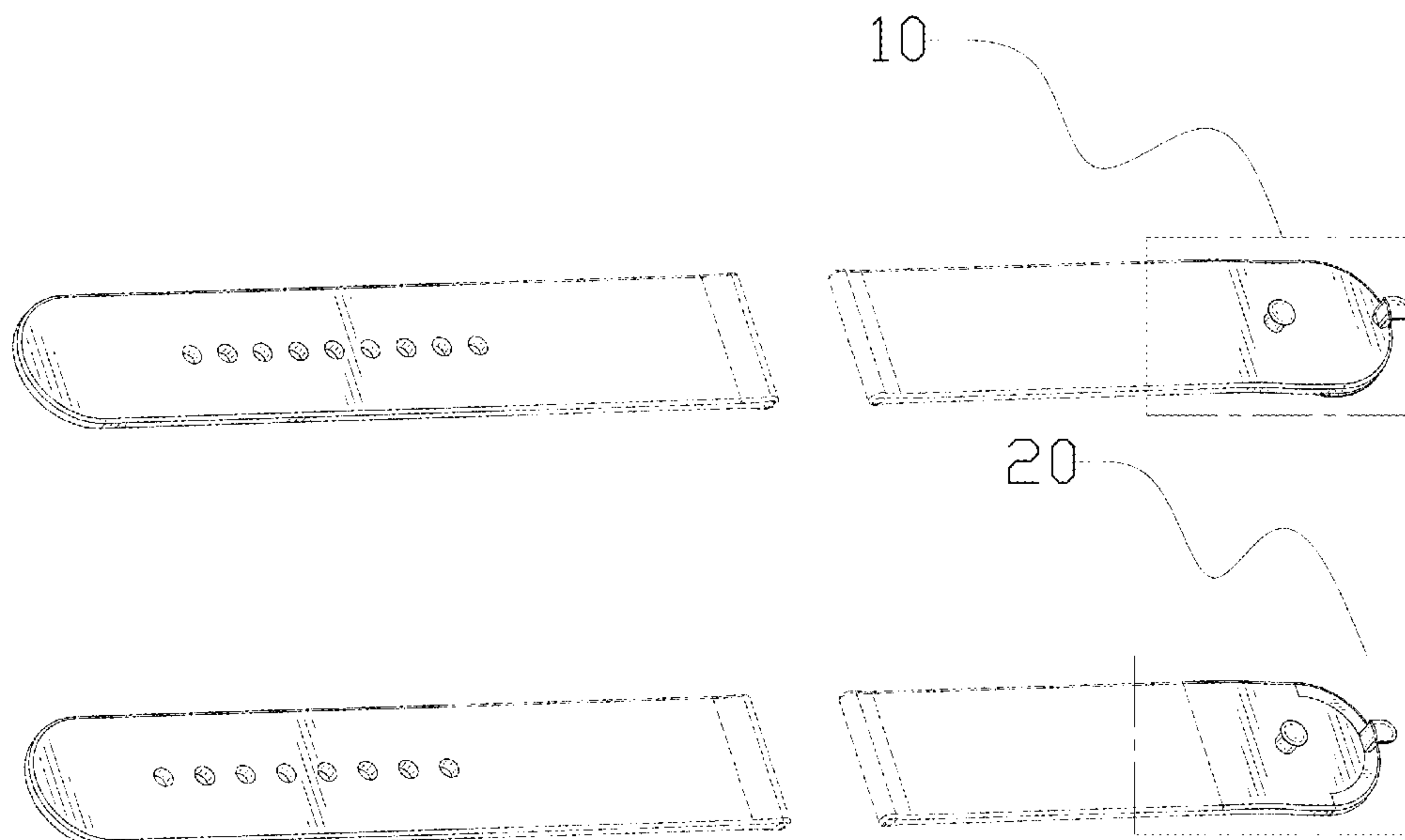
(56) **References Cited**

U.S. PATENT DOCUMENTS

D141,753 S * 7/1945 Du Bois D11/3
3,983,483 A * 9/1976 Pando H01Q 1/273
455/90.2
D417,236 S * 11/1999 Burrus D10/31
D727,197 S * 4/2015 Akana D11/3
D747,997 S * 1/2016 Akana D11/3

(Continued)

1 Claim, 21 Drawing Sheets



(56)

References Cited

U.S. PATENT DOCUMENTS

D781,852 S * 3/2017 Yu D14/344
D791,634 S * 7/2017 Bang D11/3
D793,271 S 8/2017 Cerrato
D800,007 S 10/2017 Tibi
D802,467 S * 11/2017 Novak D11/3
D822,526 S * 7/2018 Lean D11/3
D864,012 S 10/2019 Chen
D868,616 S * 12/2019 Deng D11/94
D869,983 S * 12/2019 Deng D11/94
D871,249 S * 12/2019 Deng D11/94
2017/0181510 A1 * 6/2017 Novak A44C 5/147

* cited by examiner

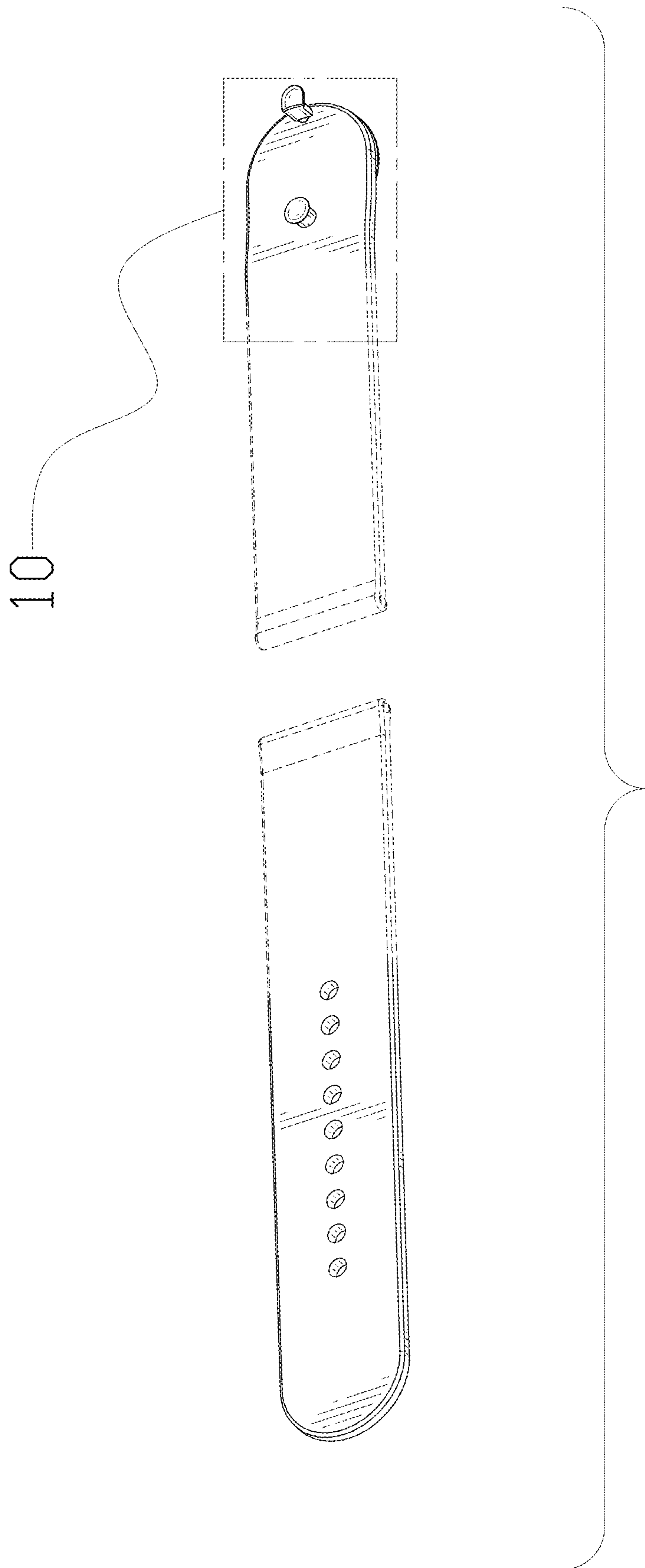


FIG. 1

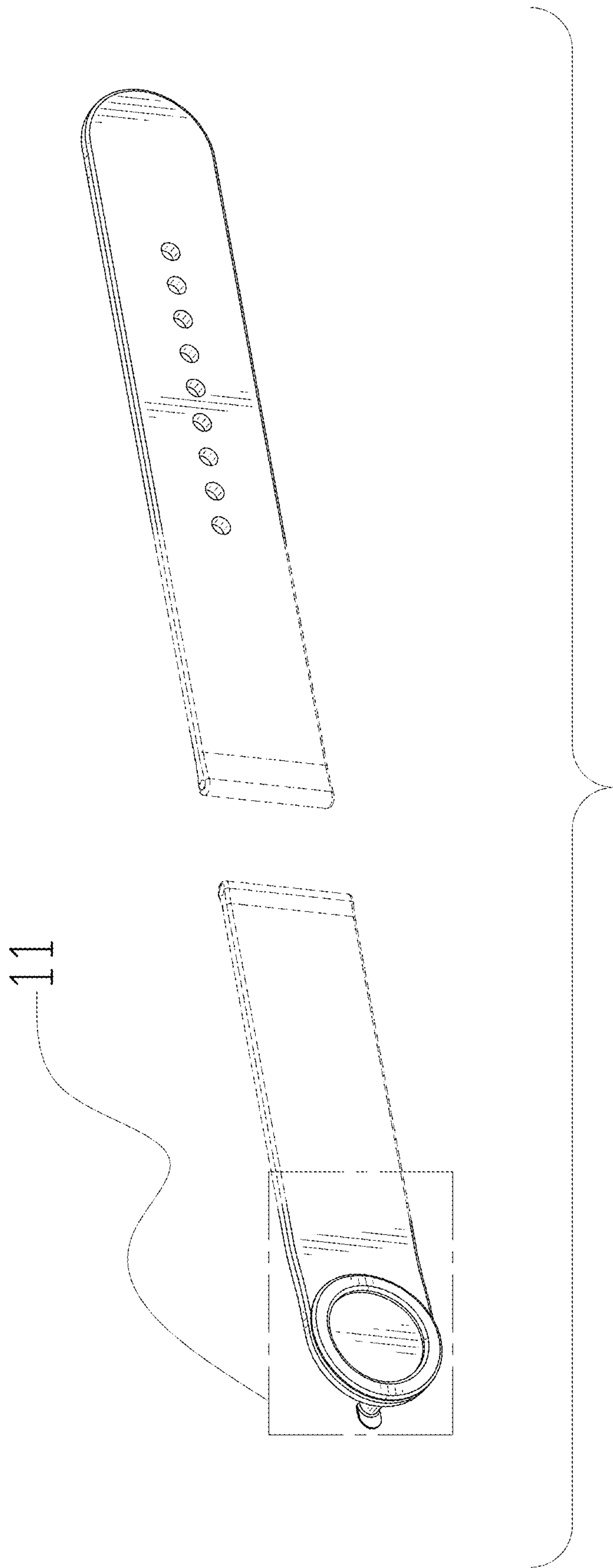


FIG. 2

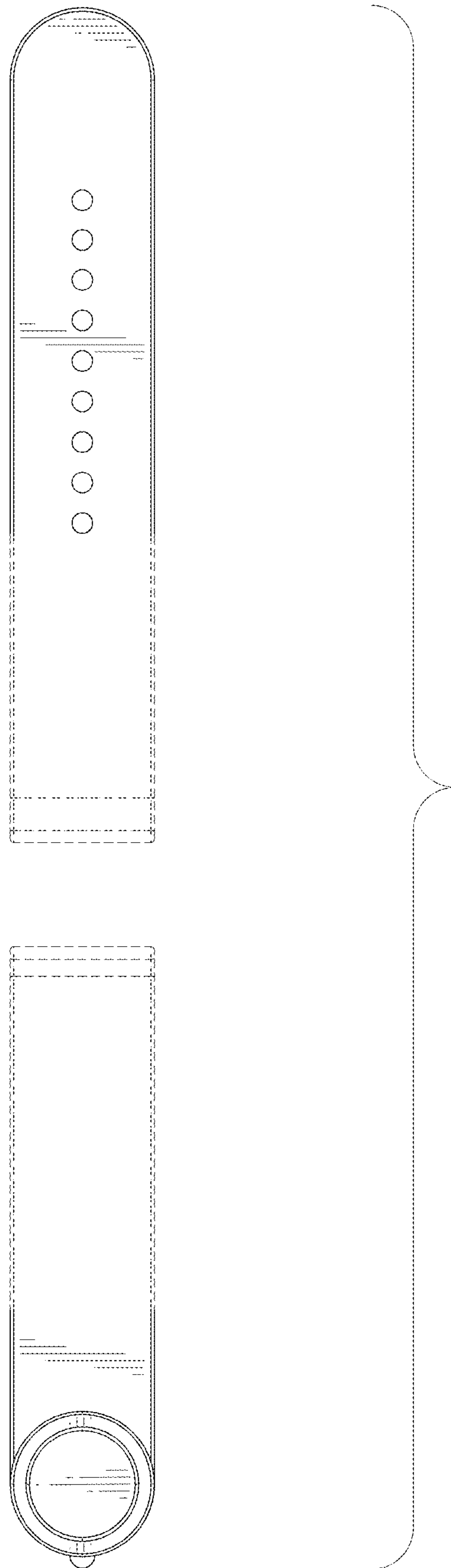


FIG. 3

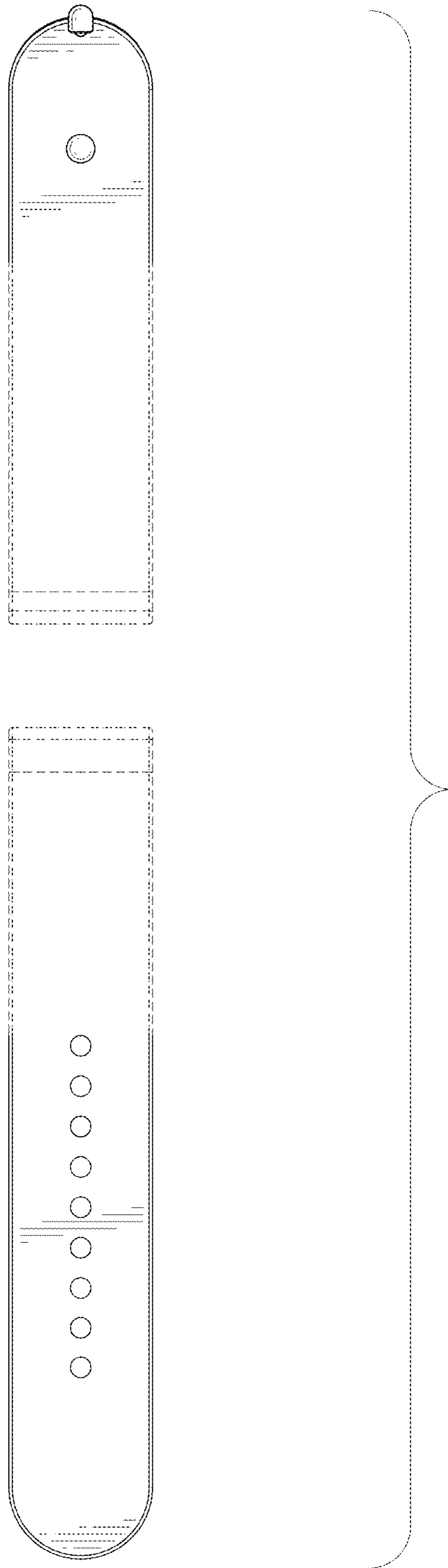


FIG. 4

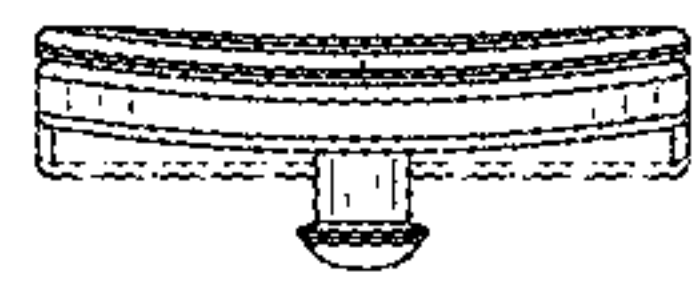


FIG. 5

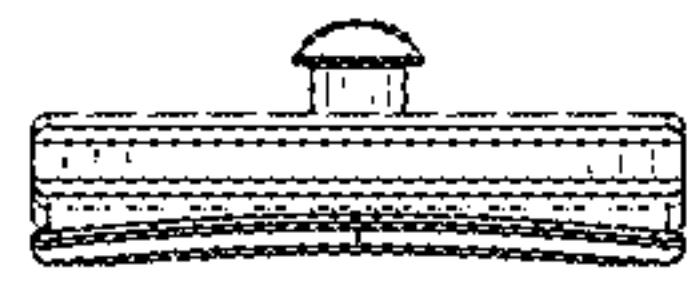


FIG. 6

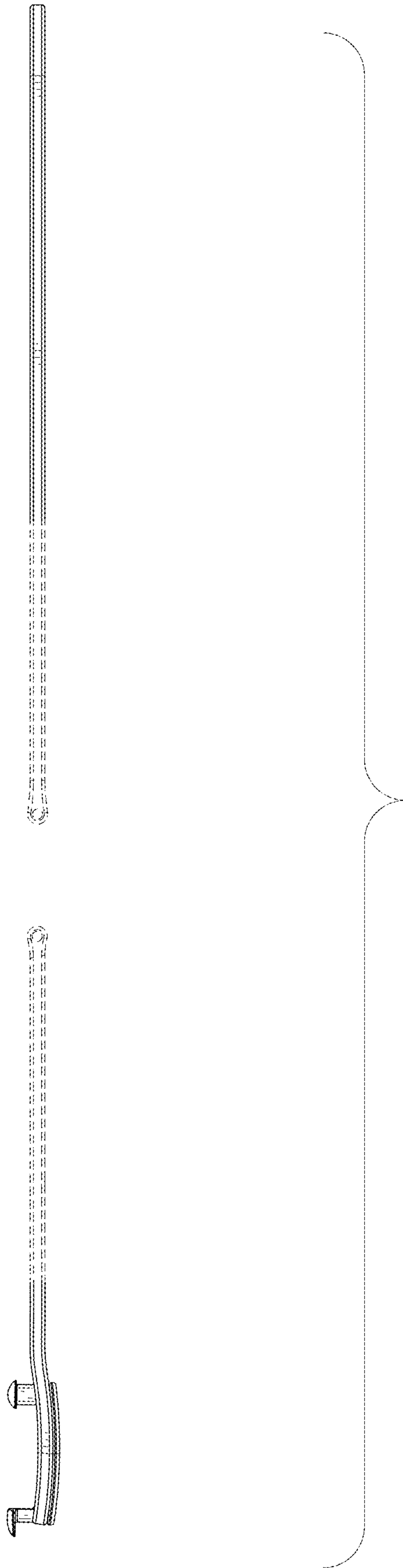


FIG. 7

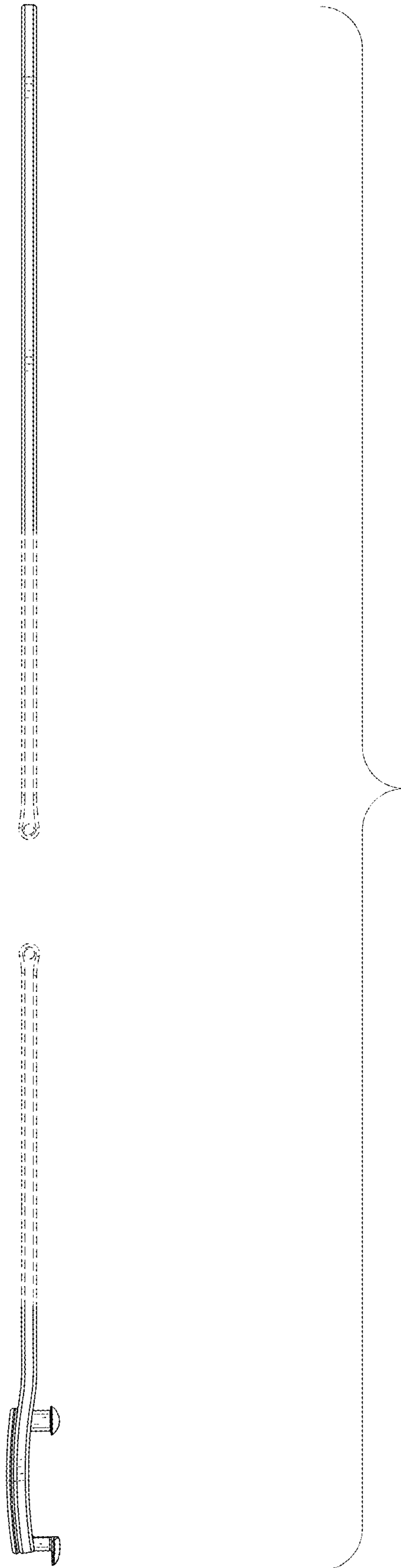


FIG. 8

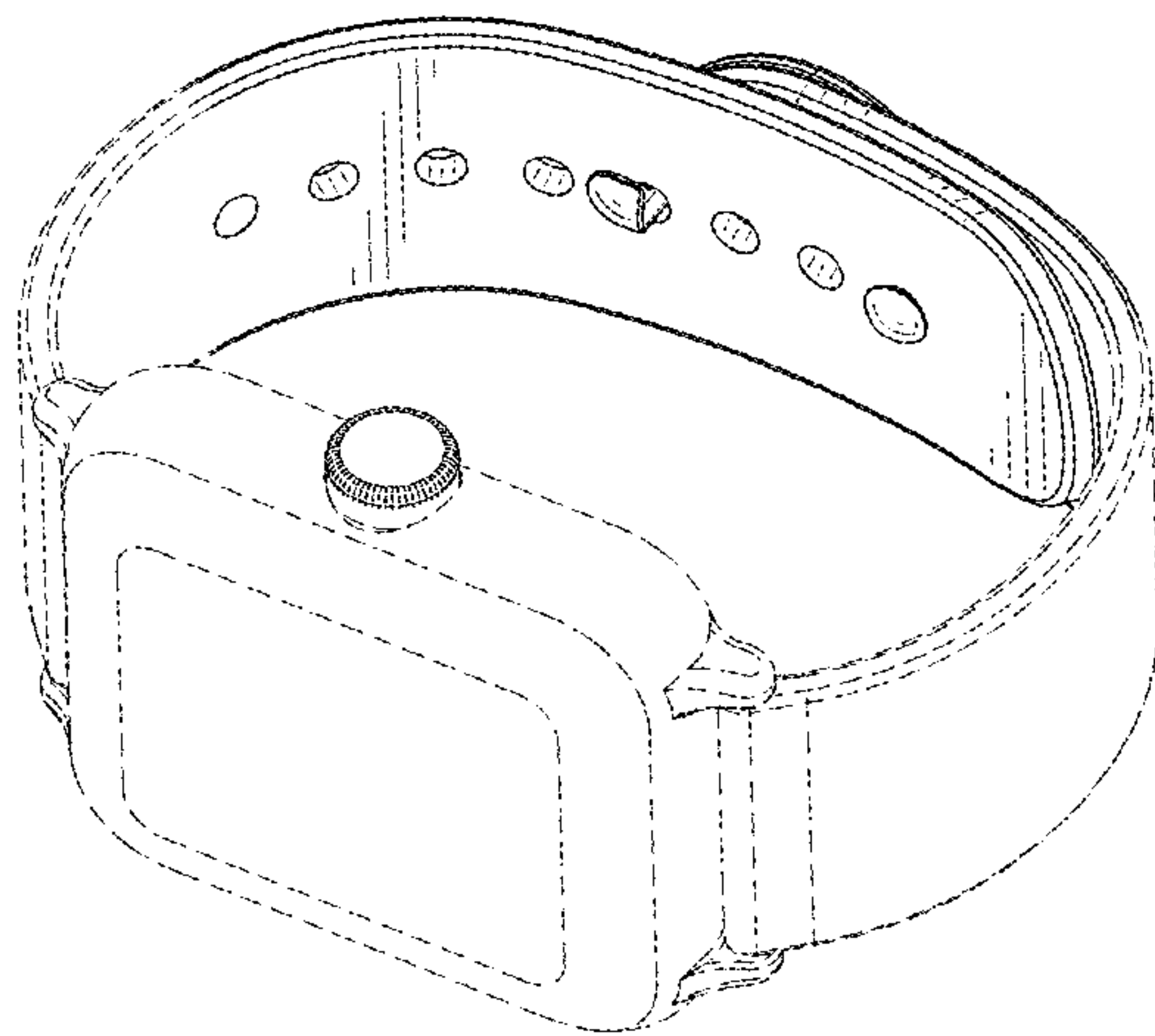


FIG. 9

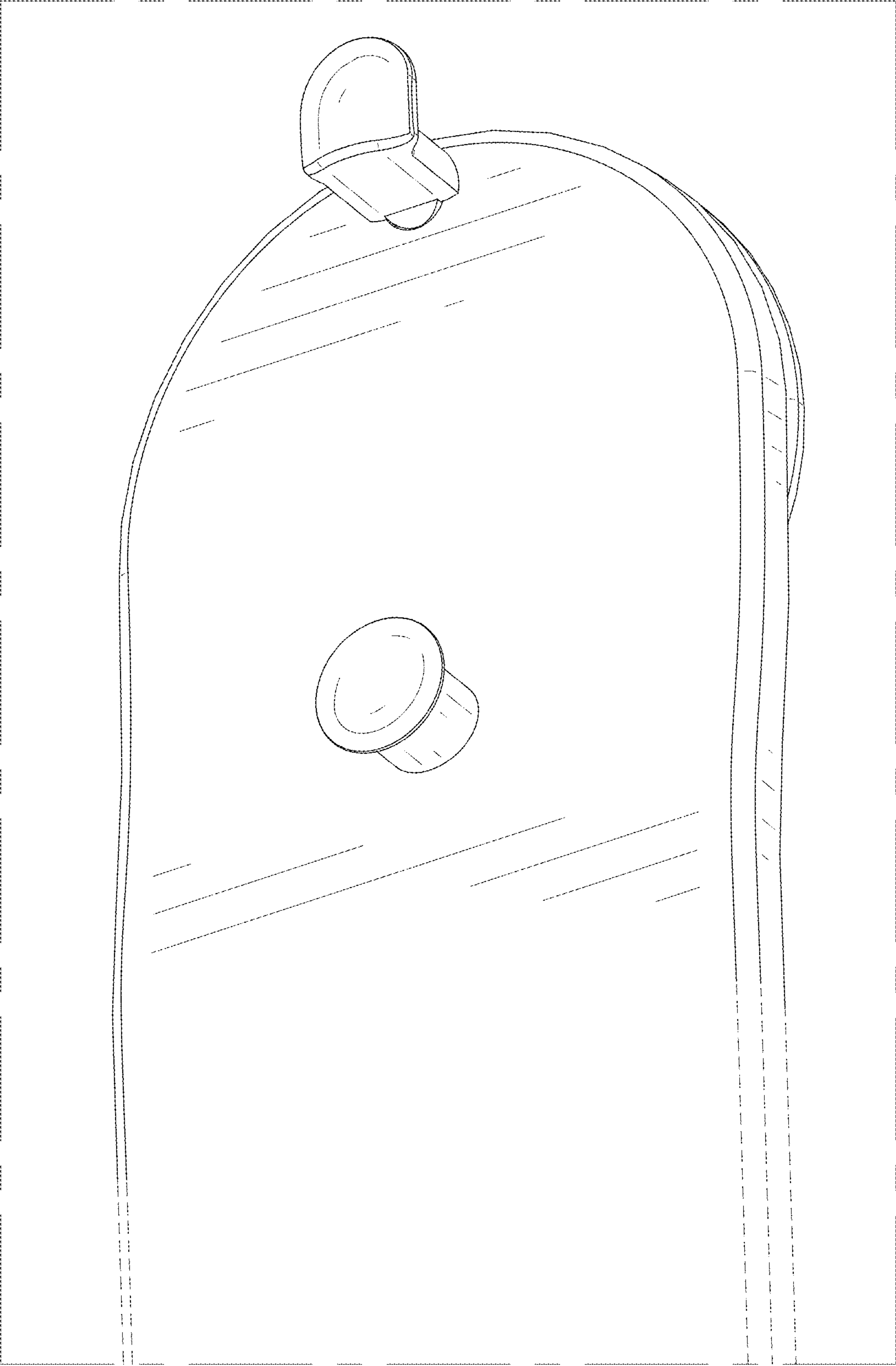


FIG. 10

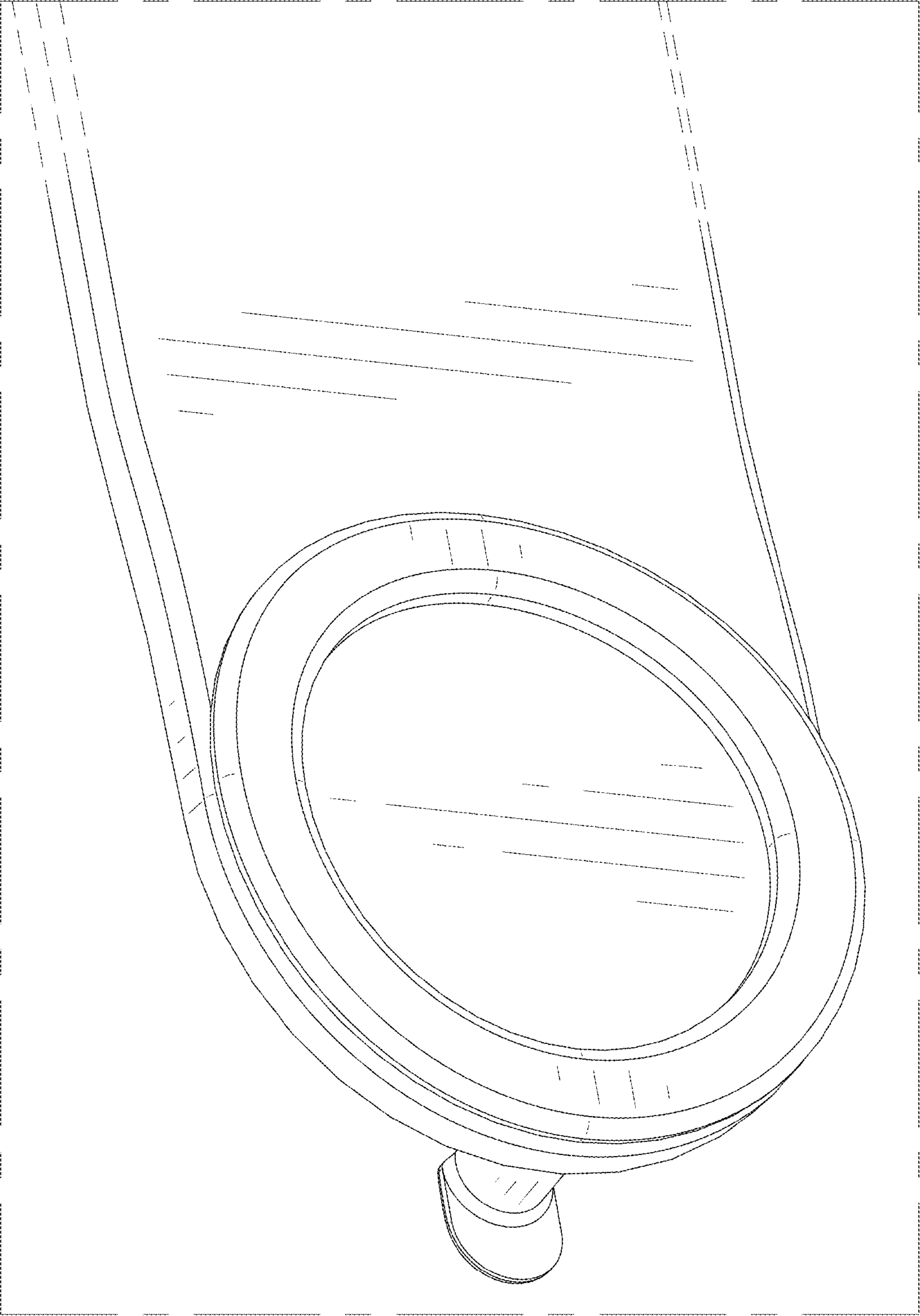


FIG. 11

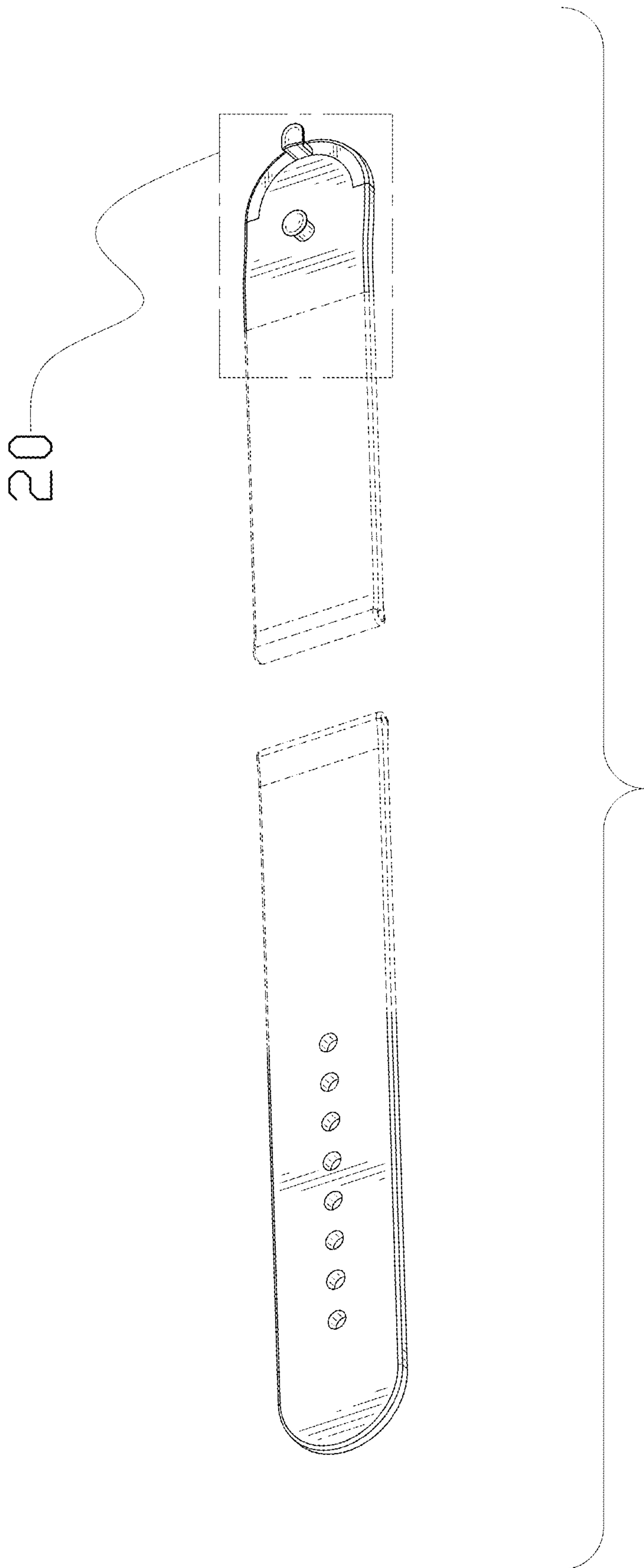


FIG. 12

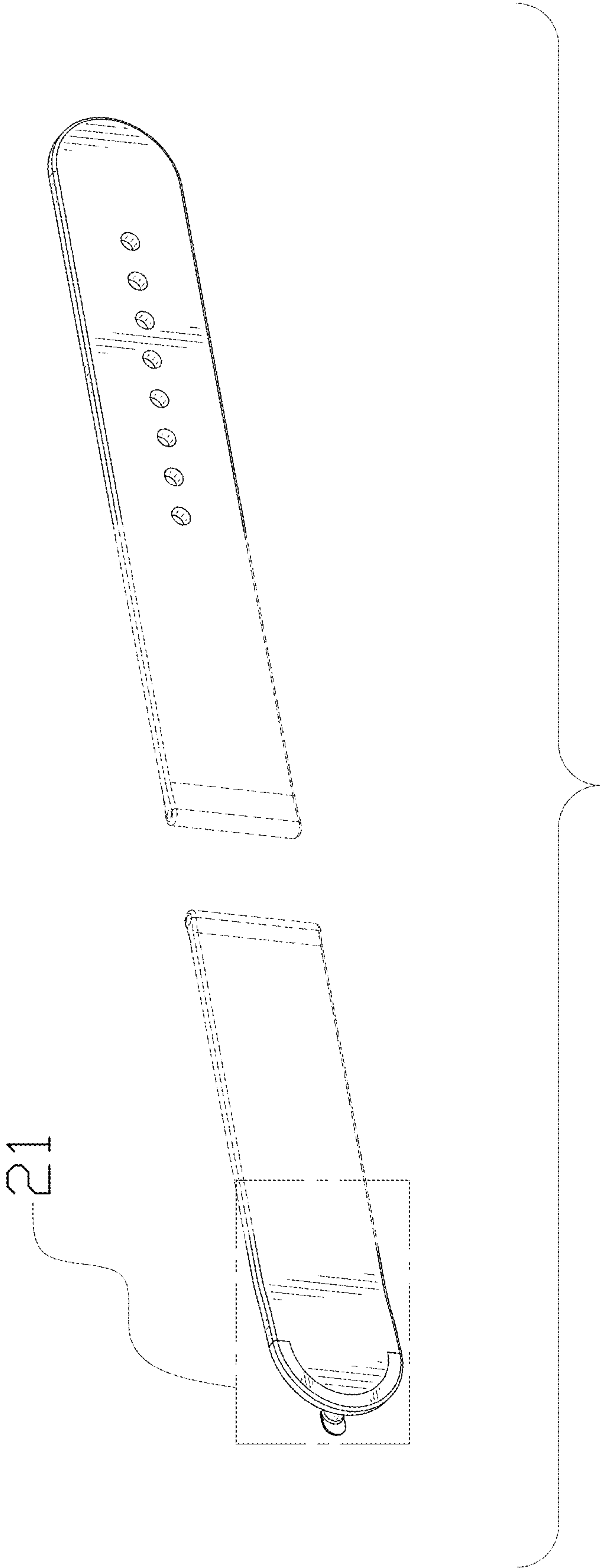


FIG. 13

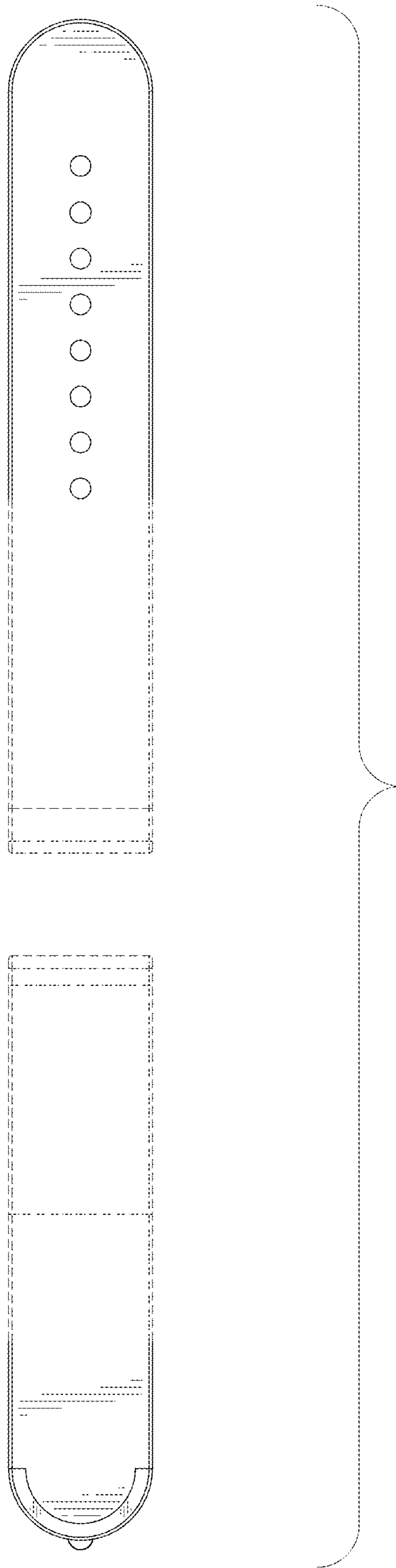


FIG. 14

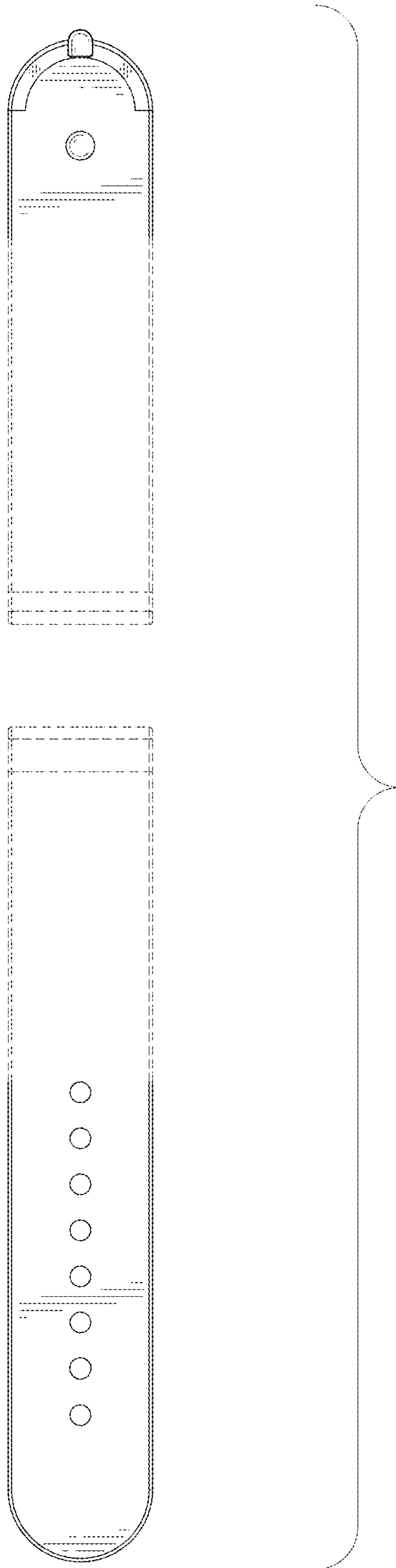


FIG. 15

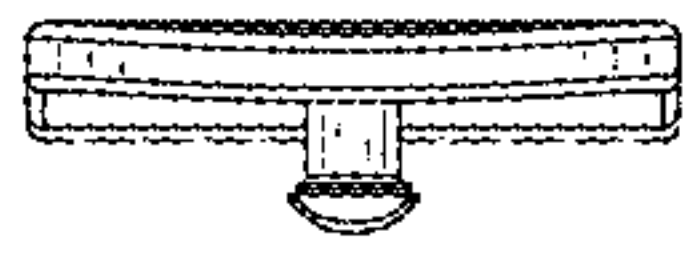


FIG. 16

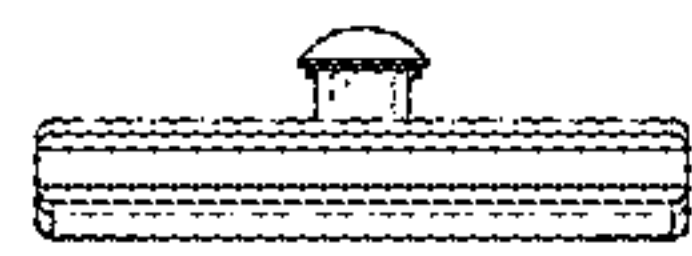


FIG. 17

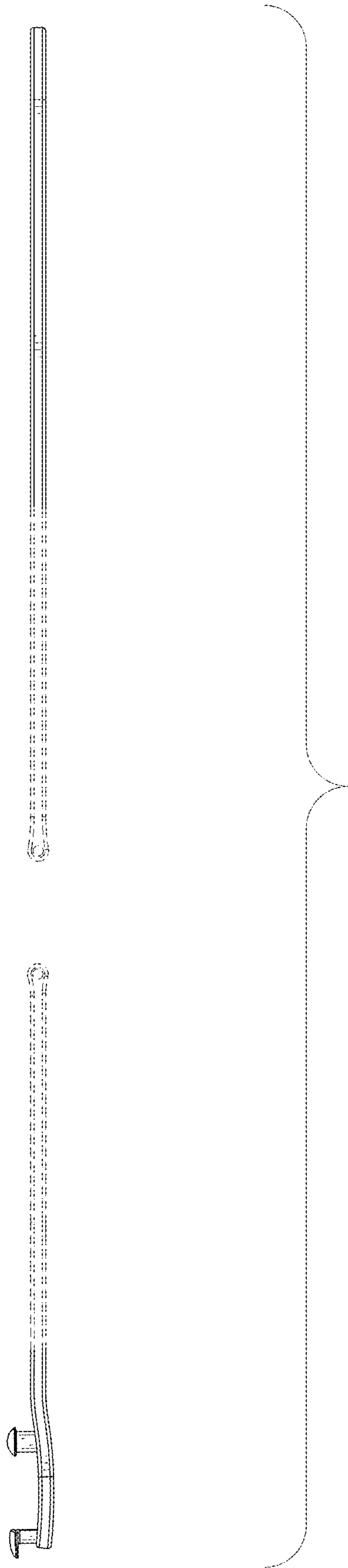


FIG. 18

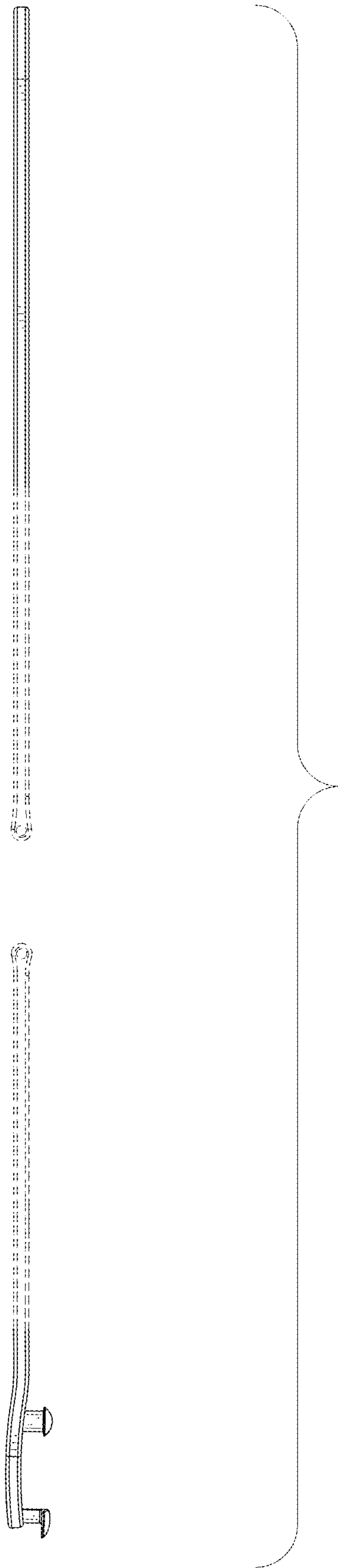


FIG. 19

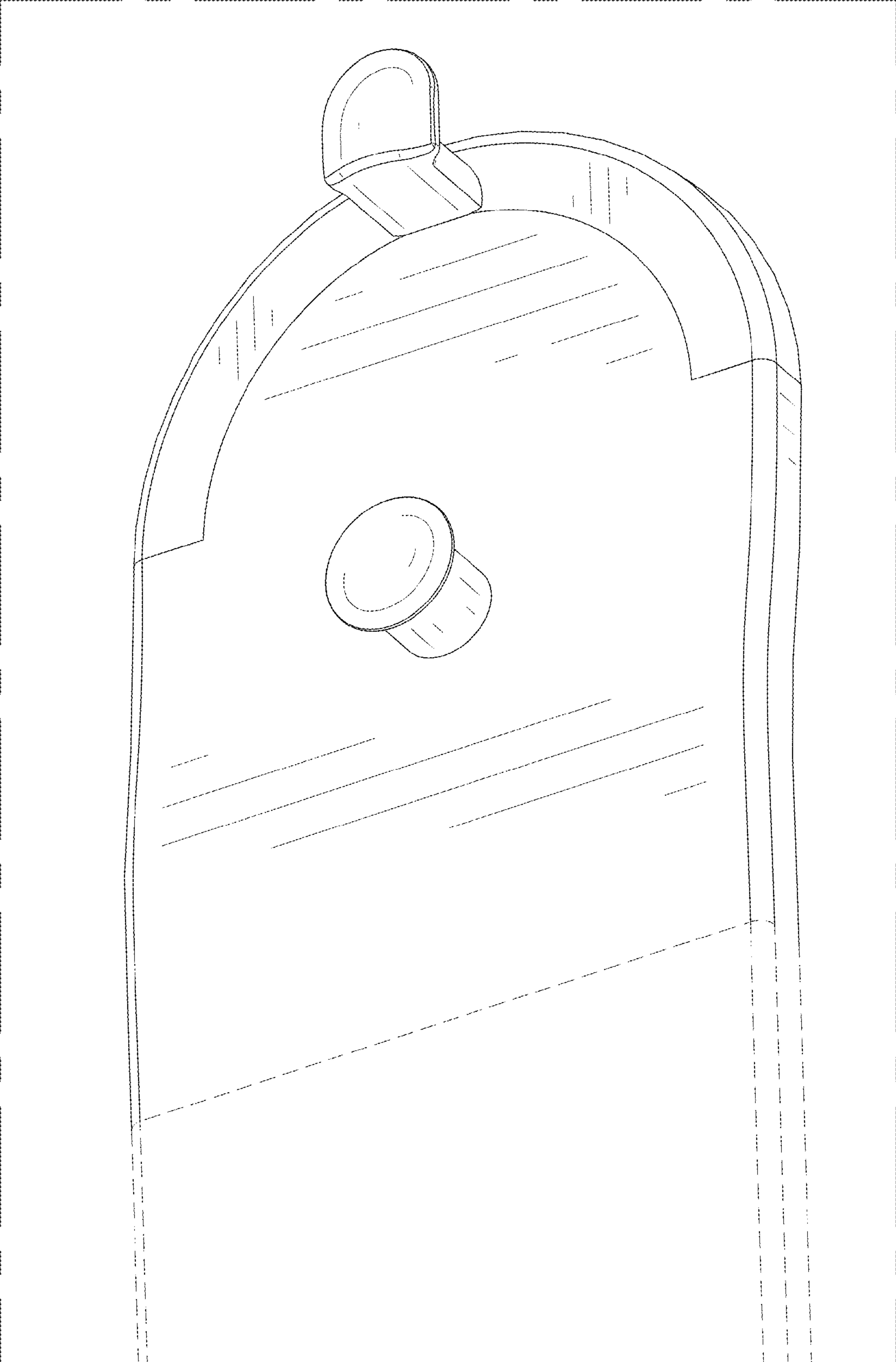


FIG. 20

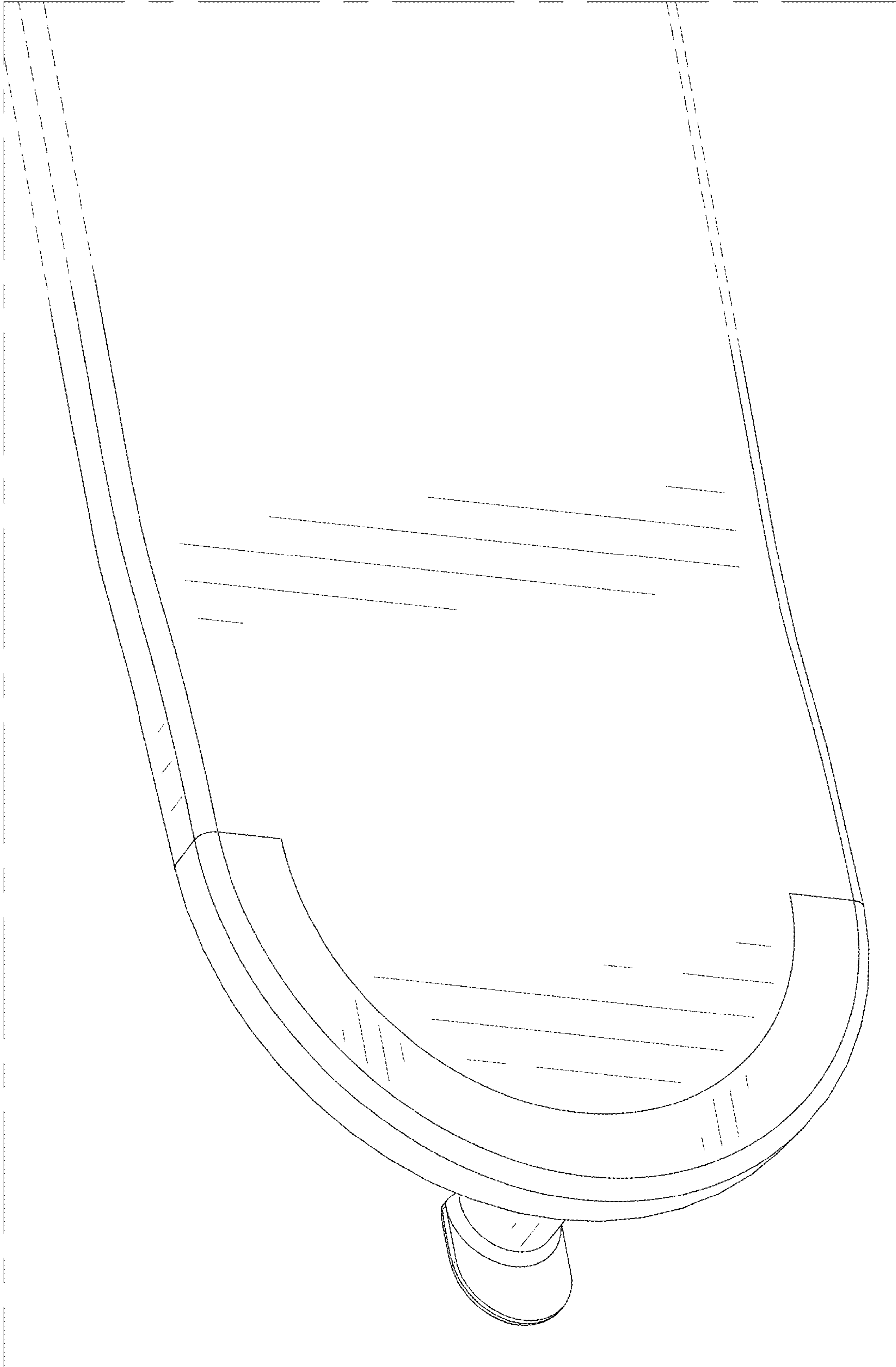


FIG. 21