



US00D881737S

(12) **United States Design Patent**
Matheny

(10) **Patent No.:** **US D881,737 S**

(45) **Date of Patent:** **** Apr. 21, 2020**

(54) **JEWELRY ARTICLE**

(71) Applicant: **Tuff-Links, LLC**, Plano, TX (US)

(72) Inventor: **Keith E. Matheny**, Plano, TX (US)

(73) Assignee: **Tuff-Links, LLC**, Plano, TX (US)

(**) Term: **15 Years**

(21) Appl. No.: **29/615,328**

(22) Filed: **Aug. 28, 2017**

(51) **LOC (12) Cl.** **11-01**

(52) **U.S. Cl.**

USPC **D11/1; D11/78.1; D11/222**

(58) **Field of Classification Search**

USPC **D11/1-6, 79, 78.1, 86, 200, 222**

CPC **A44B 3/00; A44B 3/02; A44B 3/04; A44B 3/06; A44B 5/00; A44B 5/002; A44B 5/005; A44B 5/007; A44B 6/00; A44B 7/00**

See application file for complete search history.

(56) **References Cited**

U.S. PATENT DOCUMENTS

D88,675 S *	12/1932	Schoenleber	D11/222
D283,844 S *	5/1986	Saad	D11/78.1
D379,601 S *	6/1997	Itzkowitz	D11/40
D415,446 S *	10/1999	Kattan	D11/79
D427,932 S *	7/2000	Dumas	D11/3
D512,932 S *	12/2005	Della Valle	D11/4
D514,467 S *	2/2006	Della Valle	D11/4
D643,766 S *	8/2011	Siedler	D11/1
D668,171 S *	10/2012	Hardy	D11/5
9,198,480 B1 *	12/2015	Junge	A44B 5/007
D767,434 S *	9/2016	Matheny	D11/1
D818,863 S *	5/2018	Silvestri	D11/3
D834,440 S *	11/2018	Hawkins	D11/4

D835,537 S *	12/2018	Matheny	D11/1
D836,478 S *	12/2018	Wright	D11/3
2018/0000209 A1 *	1/2018	Sullivan	A44B 5/00

* cited by examiner

Primary Examiner — Cynthia Ramirez

Assistant Examiner — L. Martinez

(57) **CLAIM**

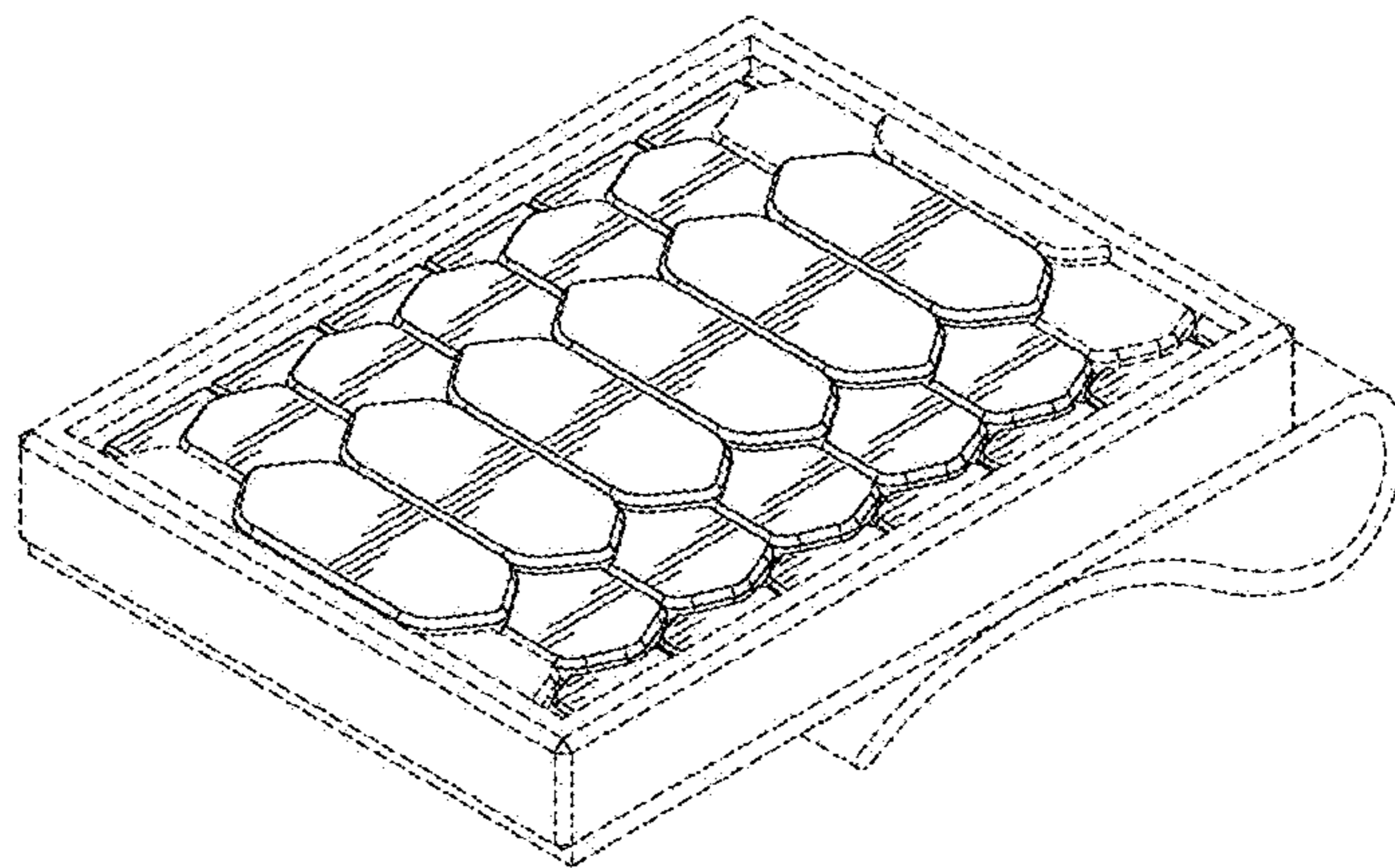
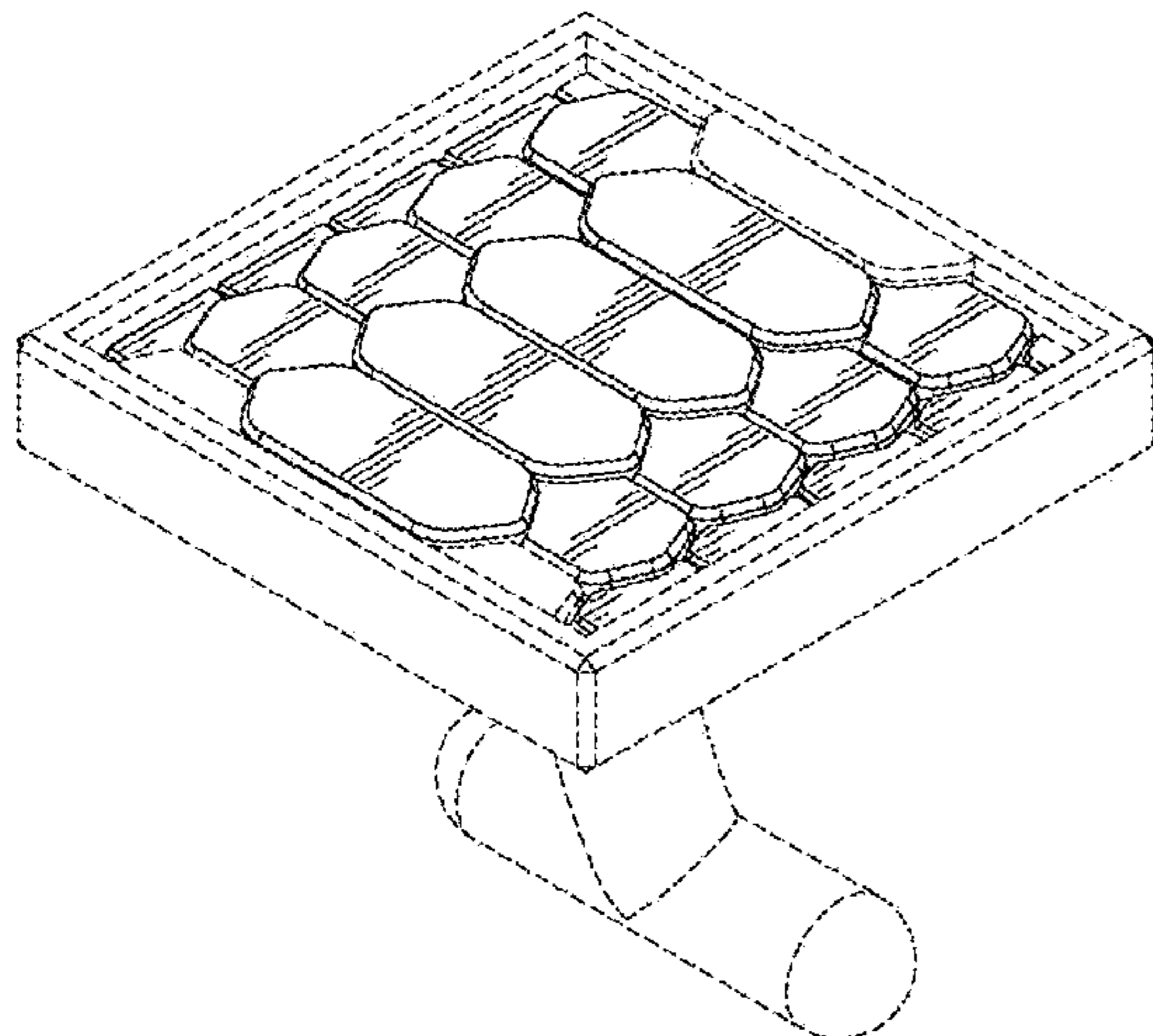
The ornamental design for a jewelry article, as shown and described.

DESCRIPTION

FIG. 1 is a front top perspective view of a first embodiment of a jewelry article showing my new design;
 FIG. 2 is rear top perspective view thereof;
 FIG. 3 is a front elevation view thereof;
 FIG. 4 is rear elevation view thereof;
 FIG. 5 is a side view thereof;
 FIG. 6 is another side view thereof;
 FIG. 7 is a top view thereof;
 FIG. 8 is a bottom view thereof;
 FIG. 9 is a front top perspective view of a second embodiment of a jewelry article showing my new design;
 FIG. 10 is rear top perspective view thereof;
 FIG. 11 is a front elevation view thereof;
 FIG. 12 is rear elevation view thereof;
 FIG. 13 is a side view thereof;
 FIG. 14 is another side view thereof;
 FIG. 15 is a top view thereof; and,
 FIG. 16 is a bottom view thereof.

The broken lines shown immediately adjacent to the shaded areas in FIGS. 1, 2, 7, 9, 10, and 15 represent a boundary of the claim. The other broken lines illustrate environmental subject matter only and form no part of the claimed design.

1 Claim, 7 Drawing Sheets



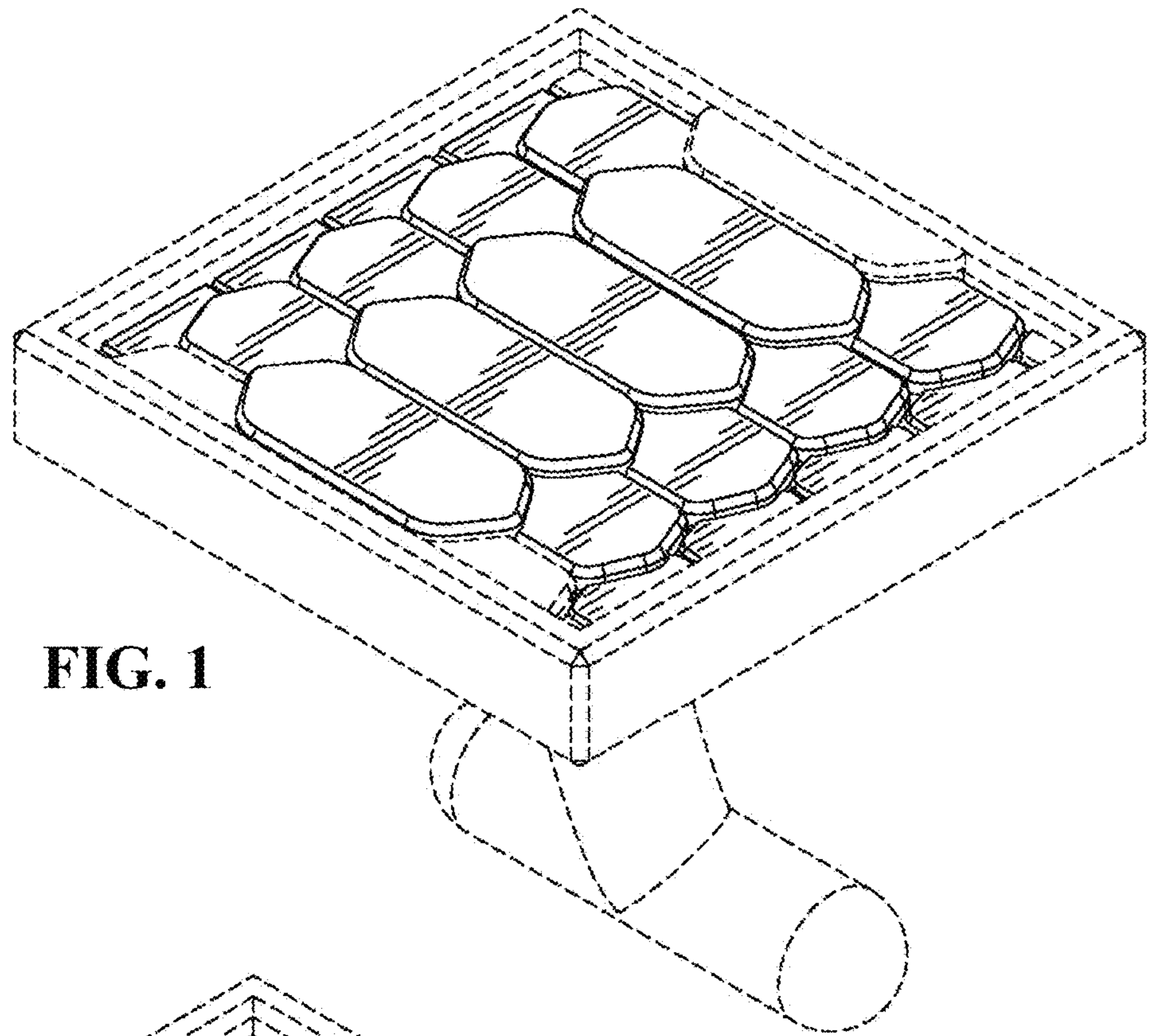


FIG. 1

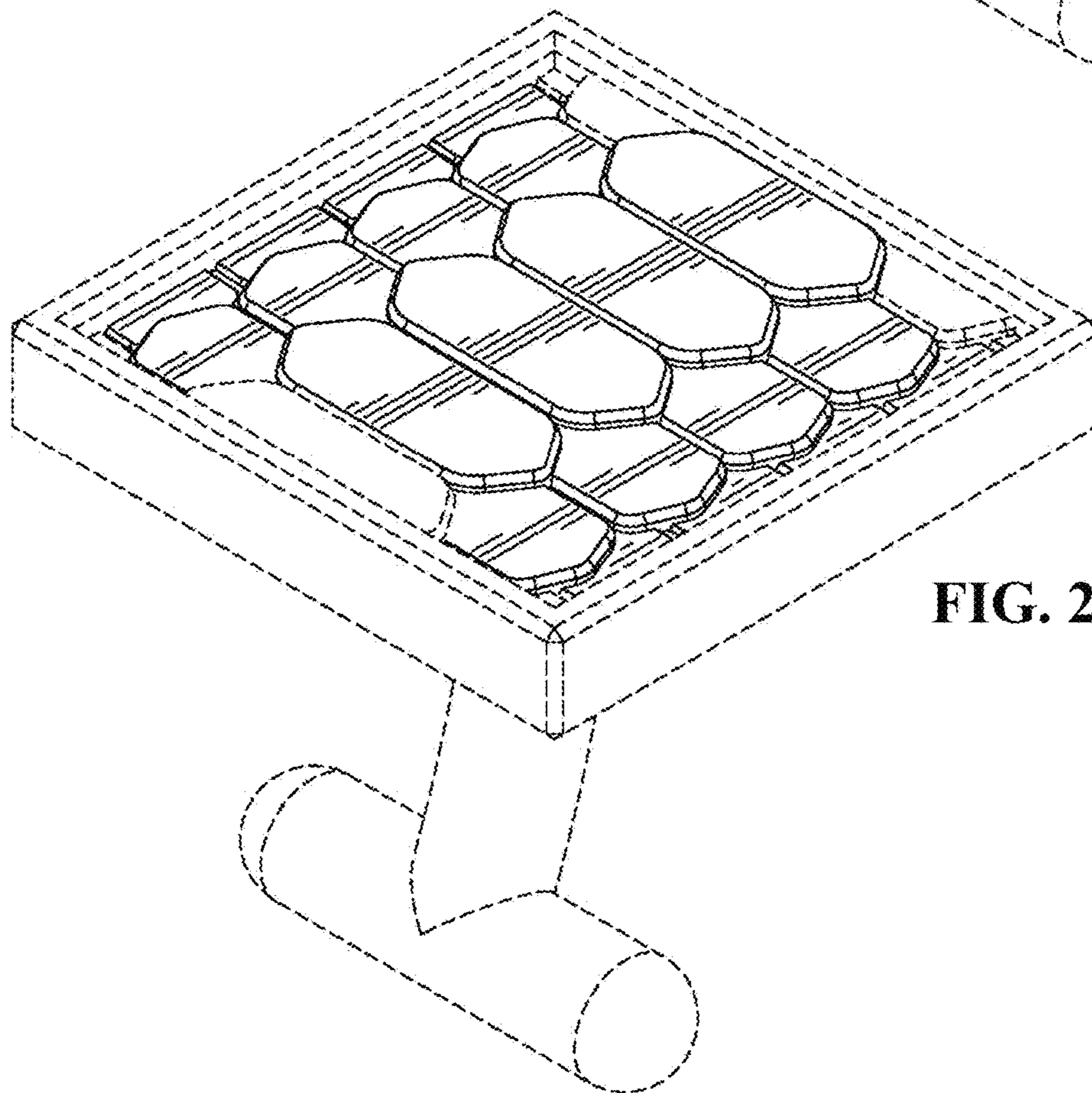


FIG. 2

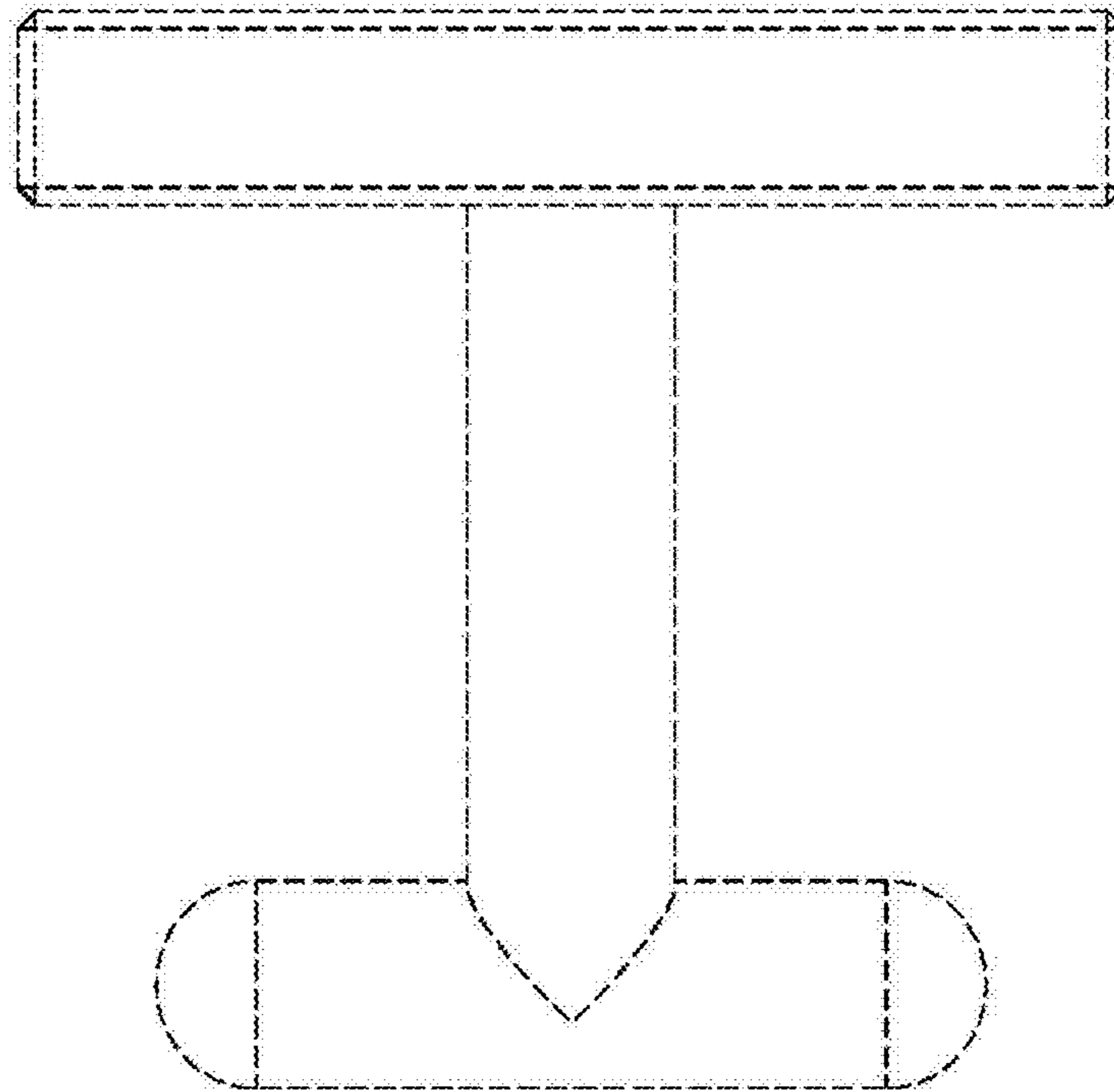


FIG. 3

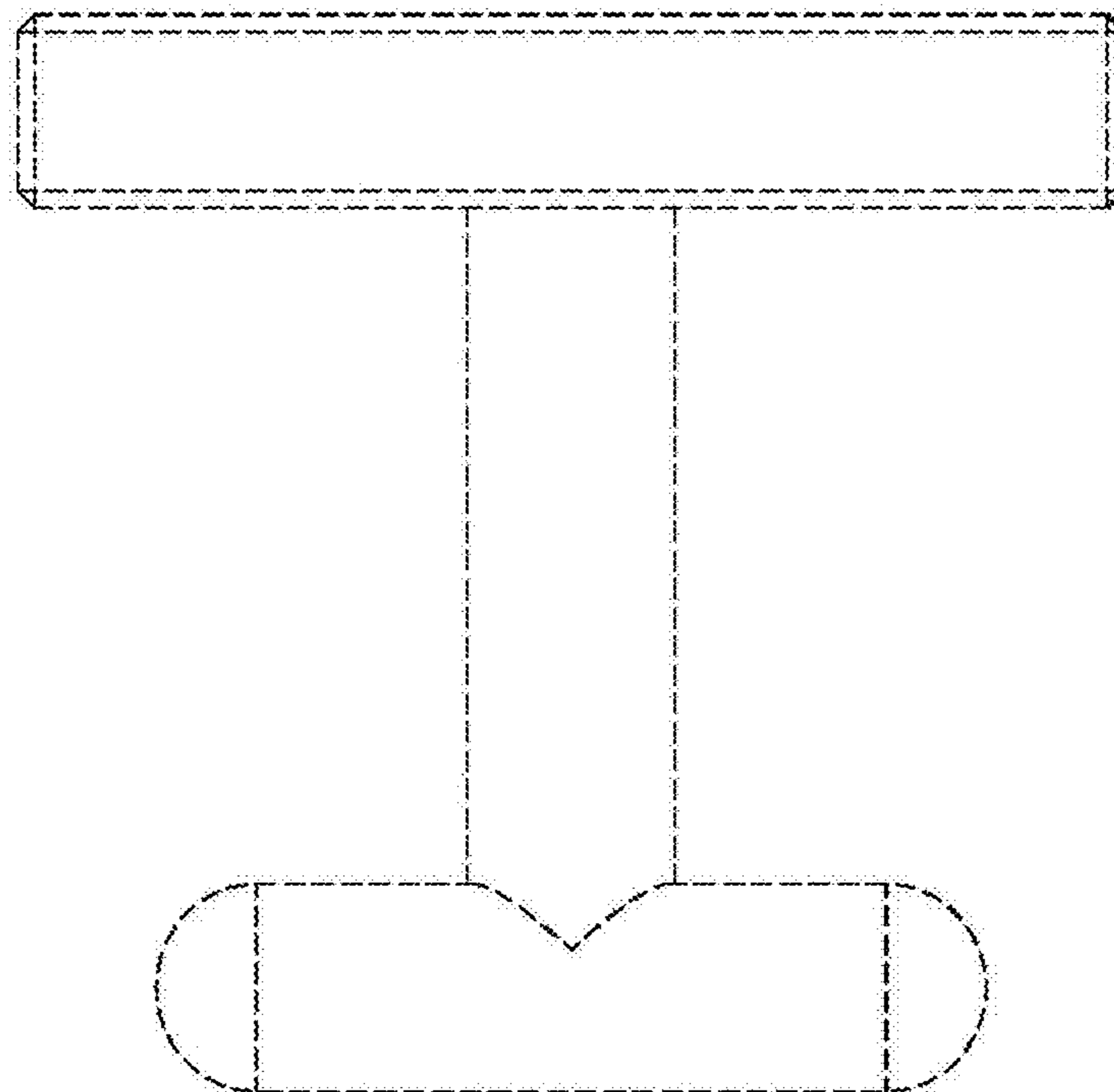


FIG. 4

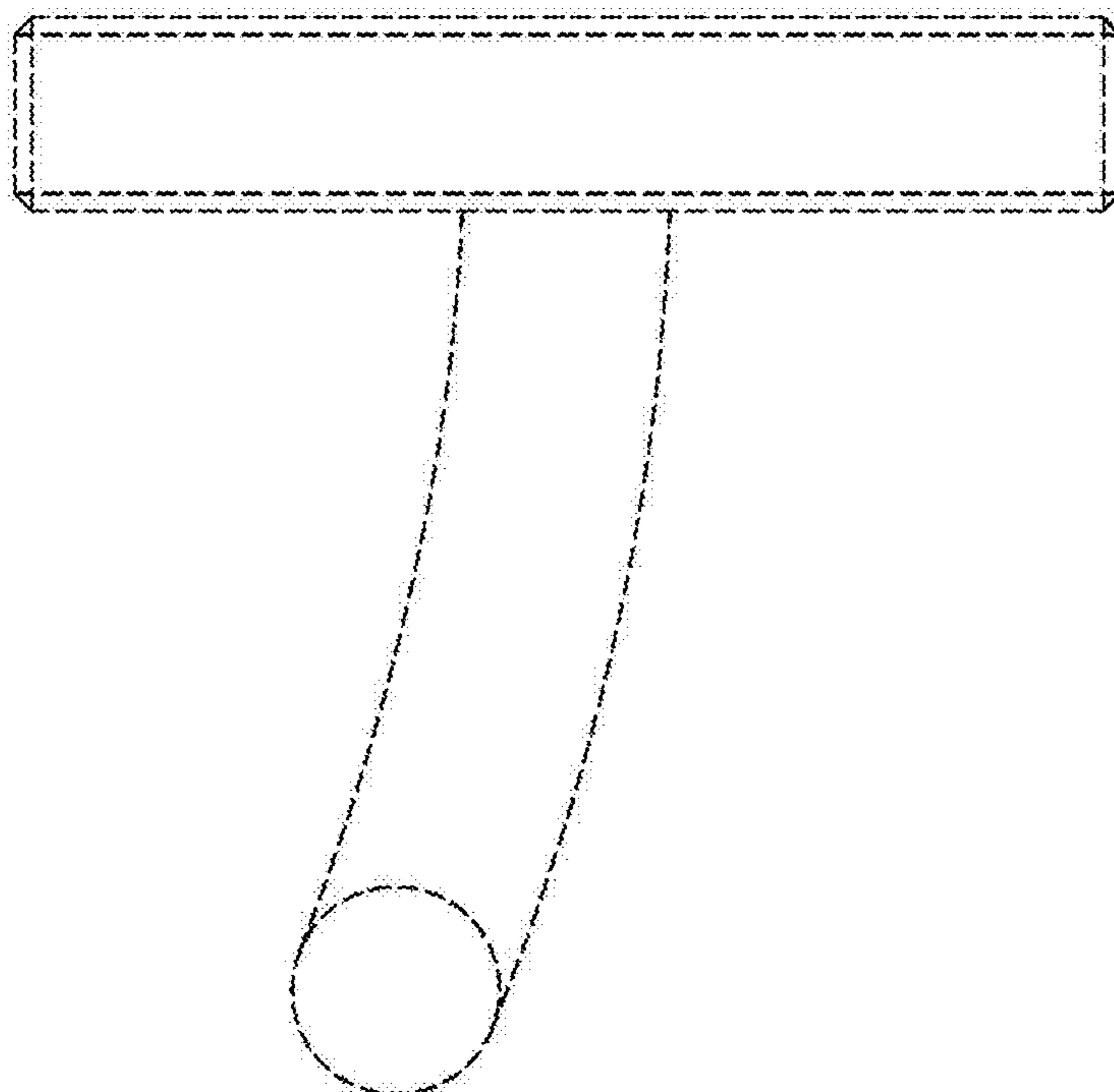


FIG. 5

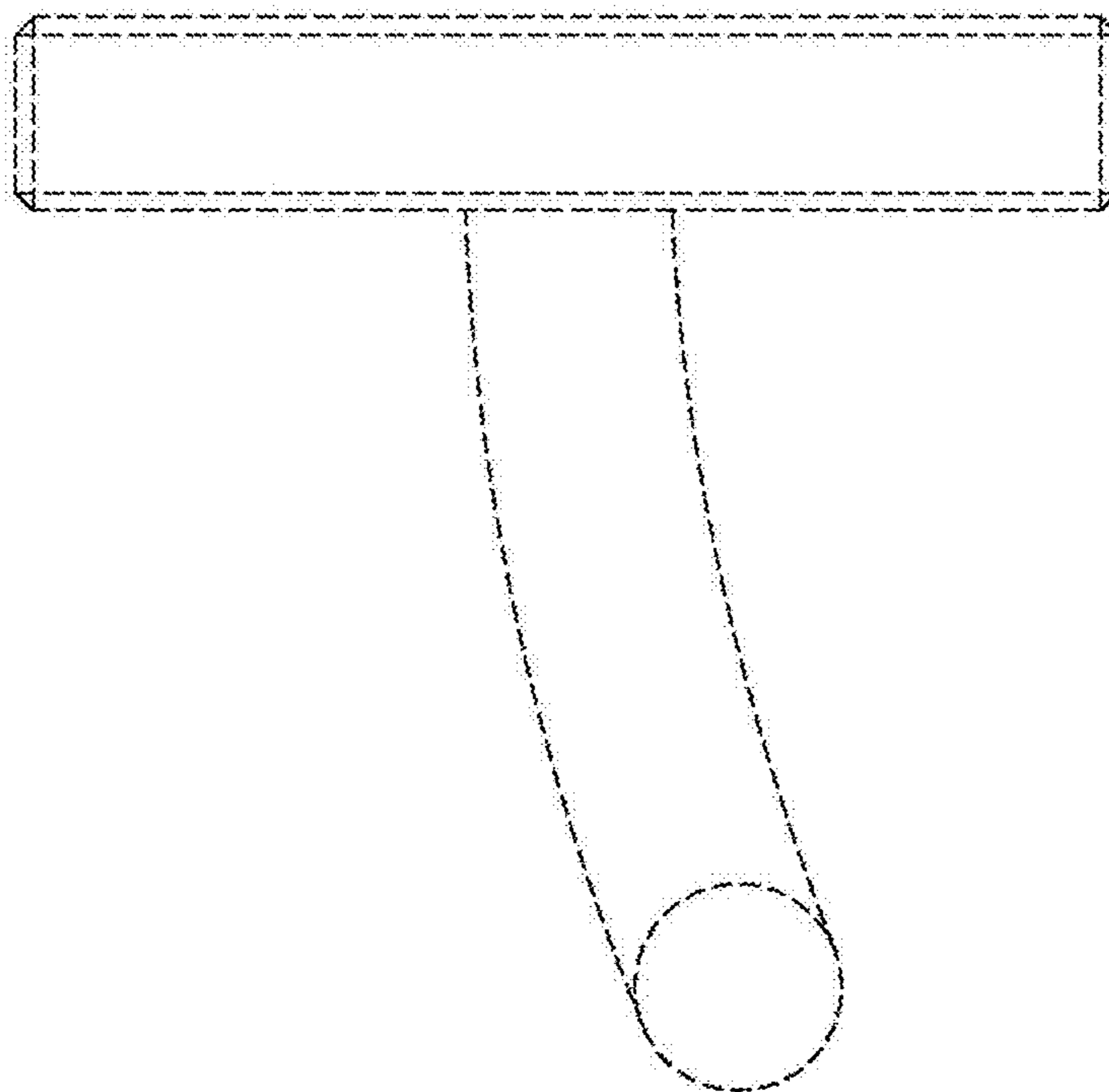


FIG. 6

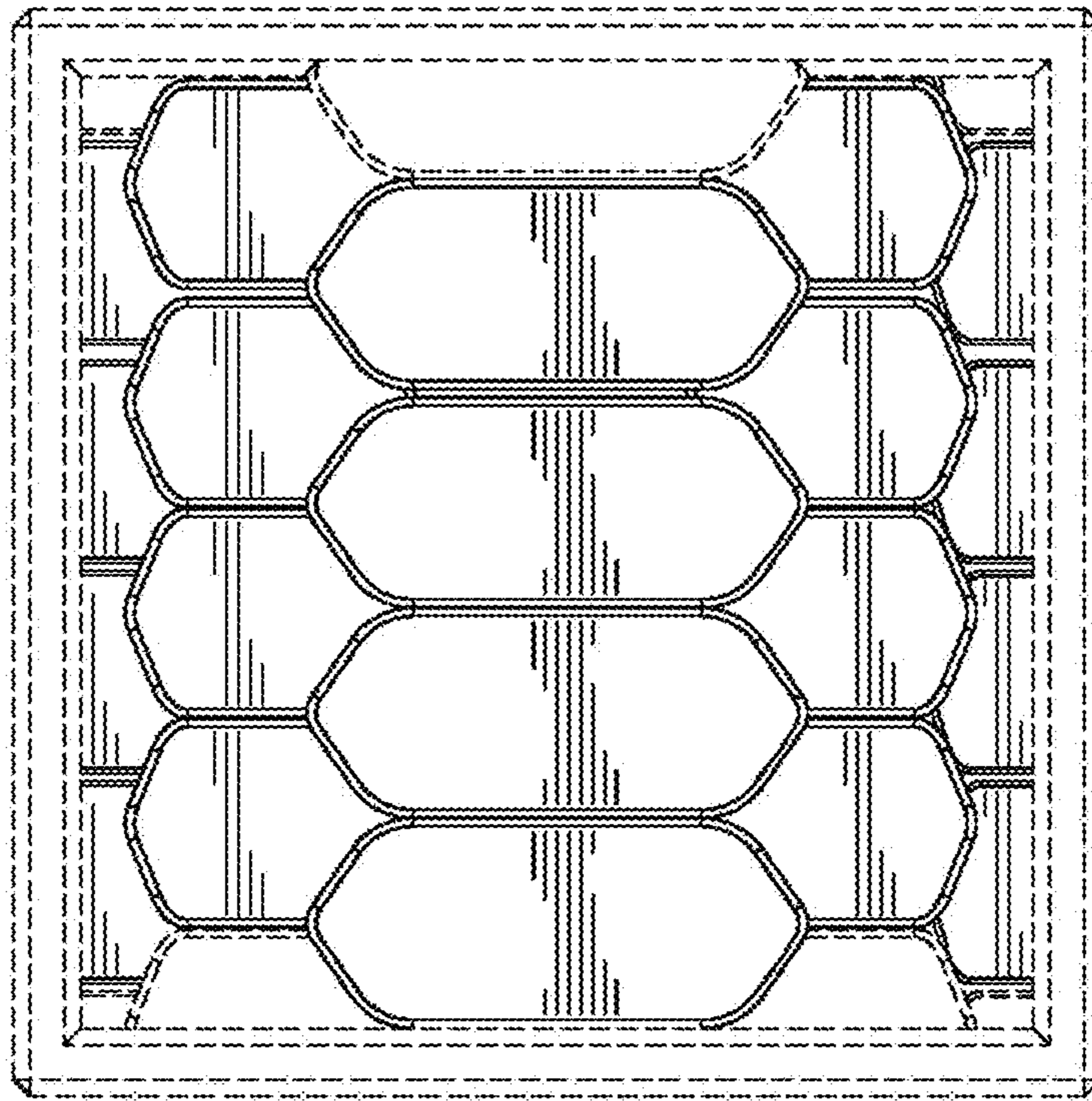


FIG. 7

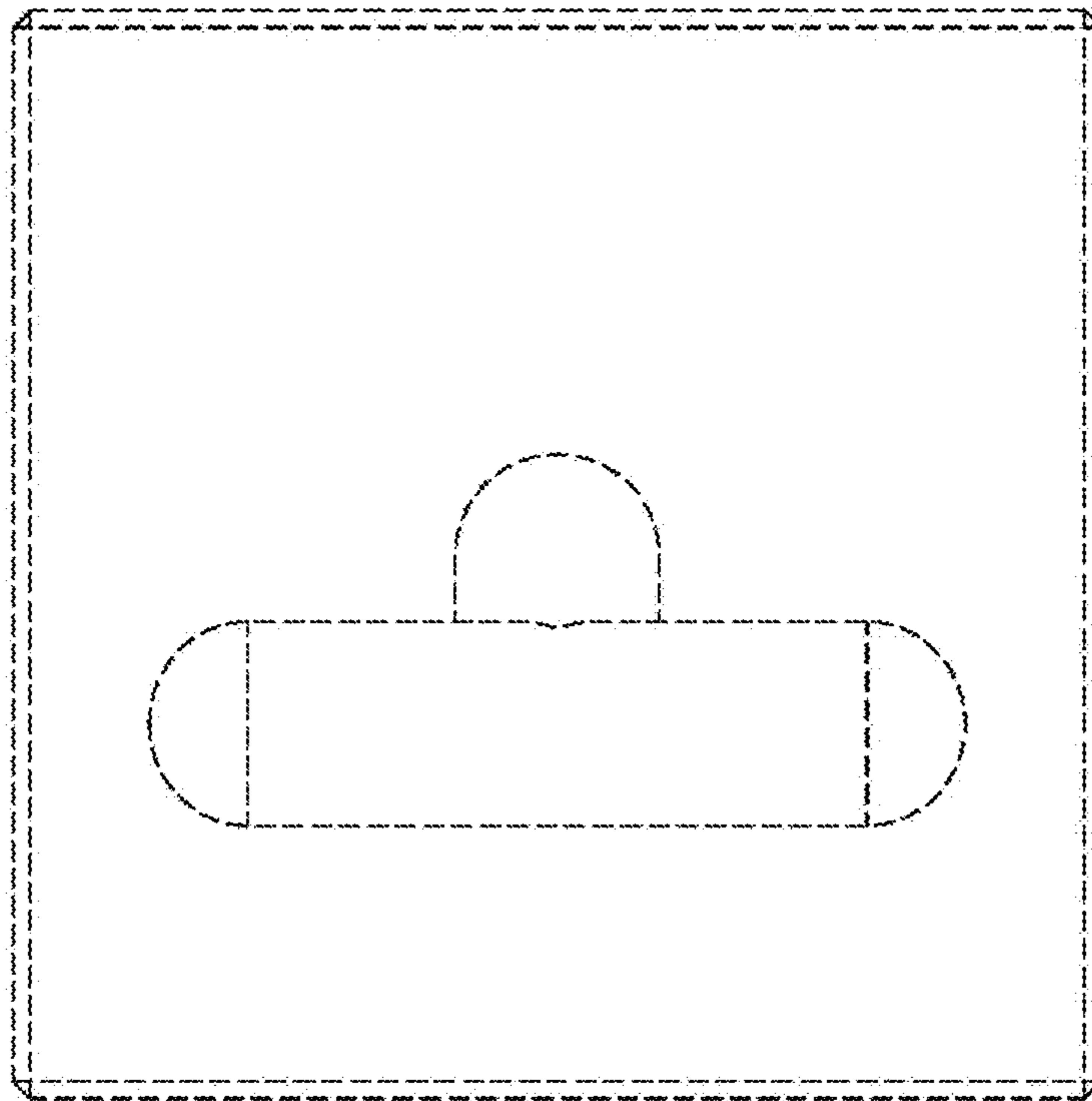


FIG. 8

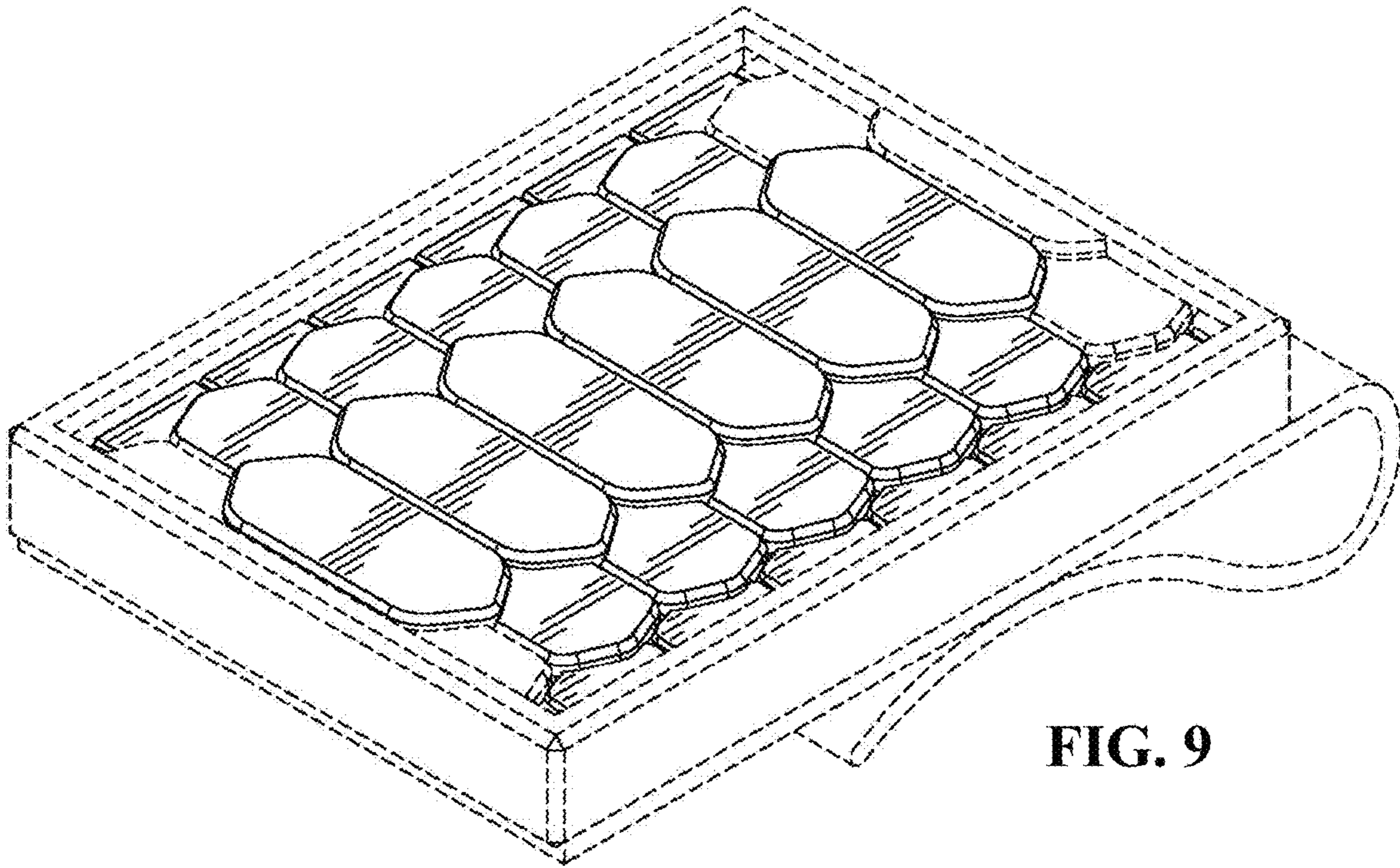


FIG. 9

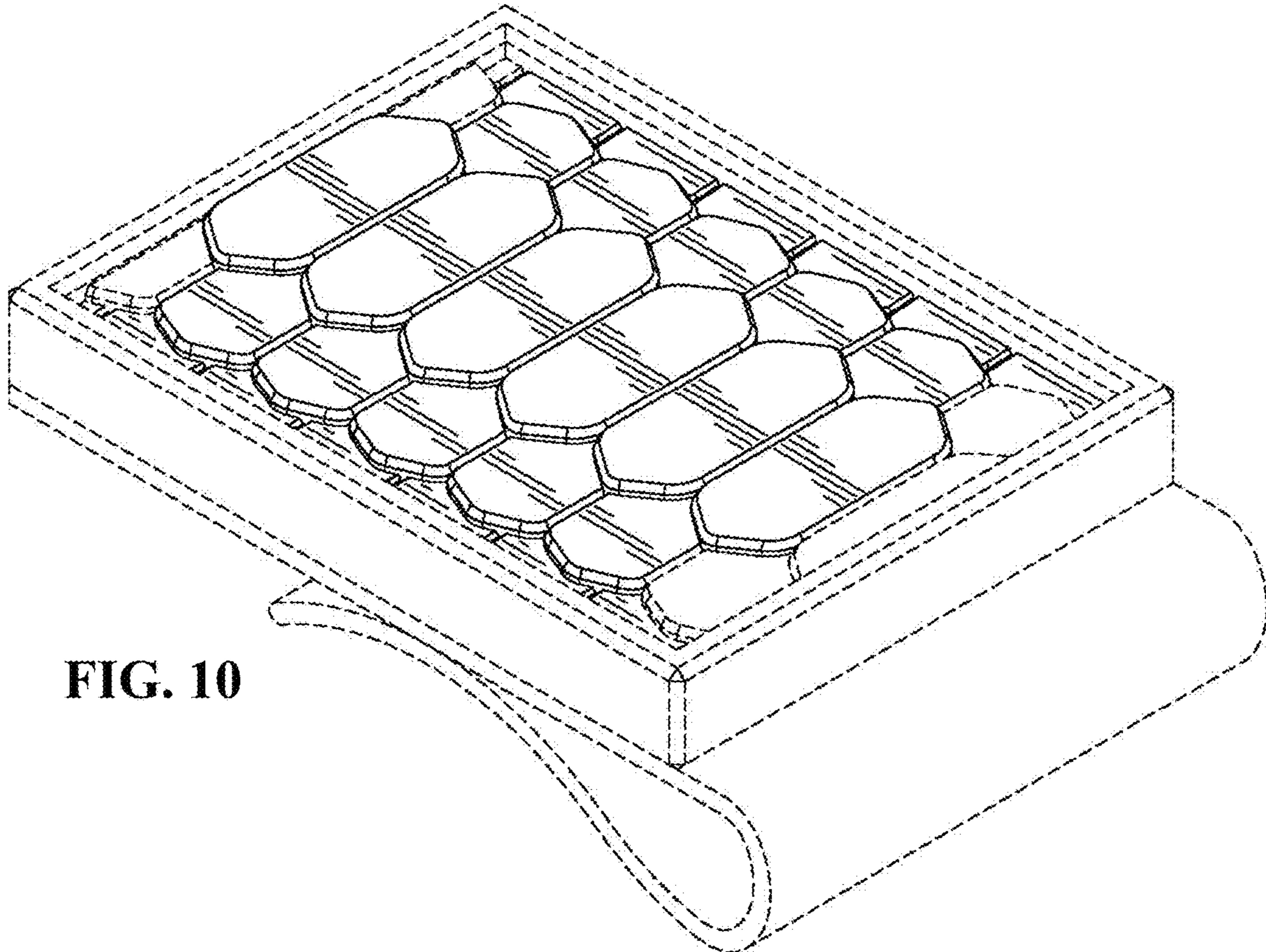


FIG. 10

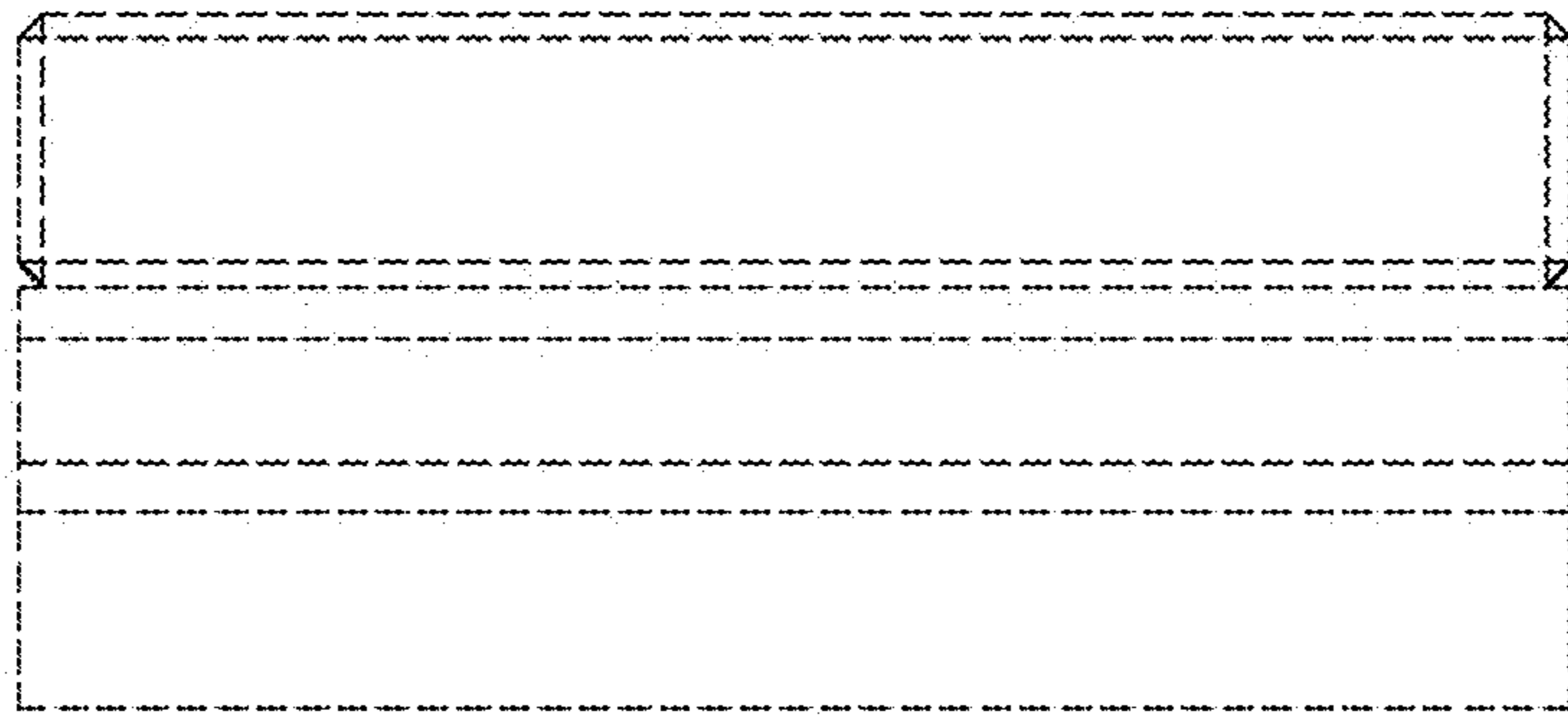


FIG. 11

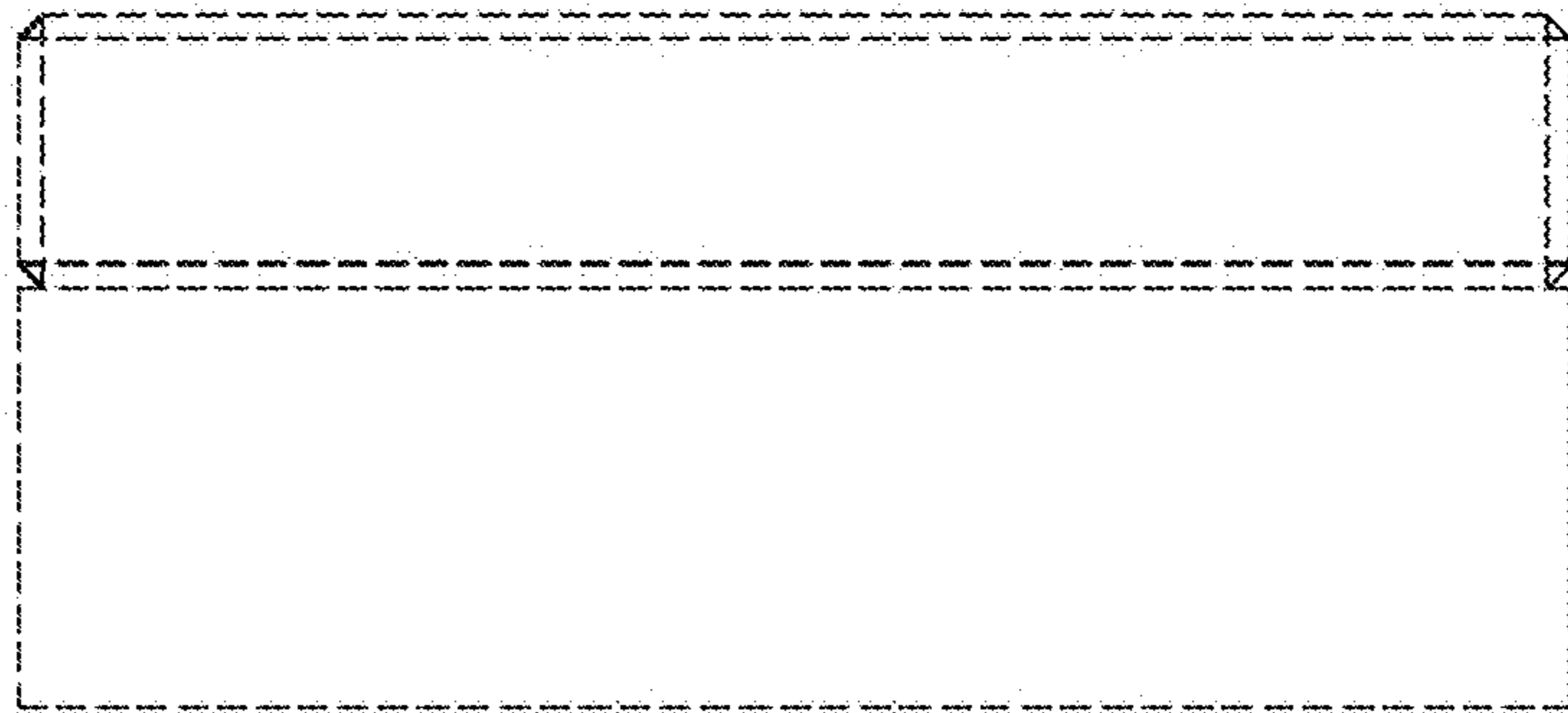


FIG. 12

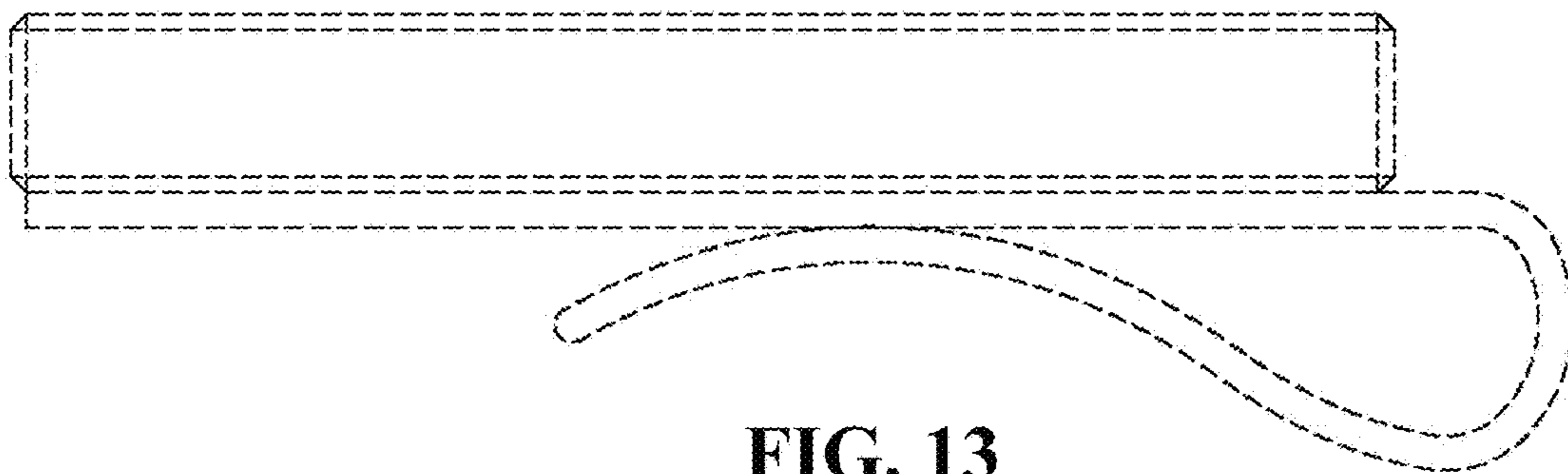


FIG. 13

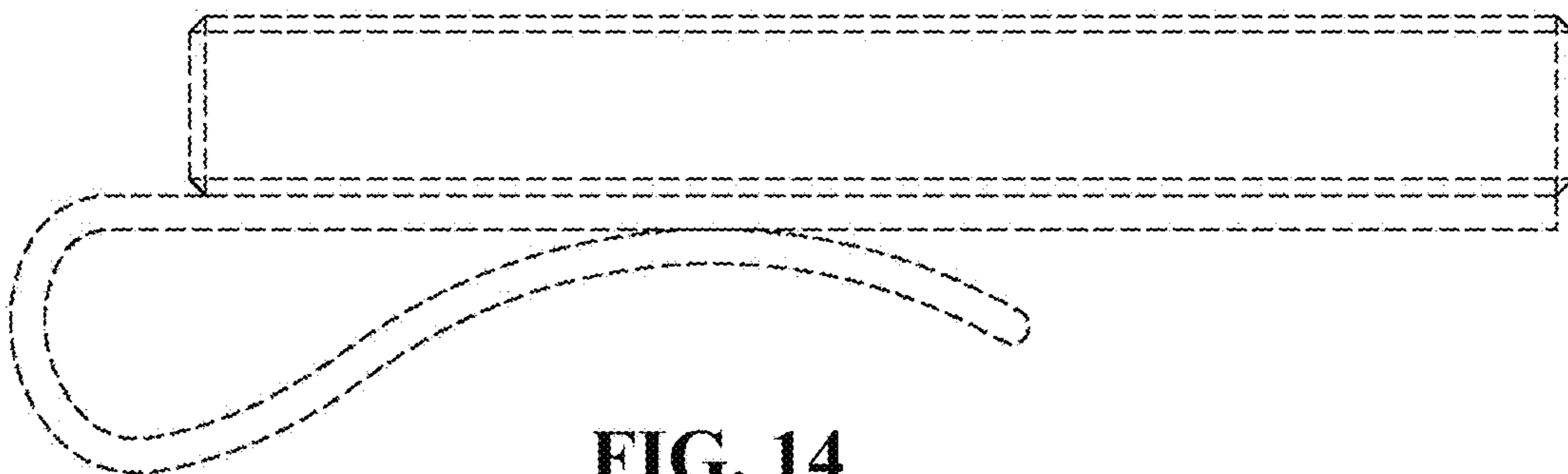


FIG. 14

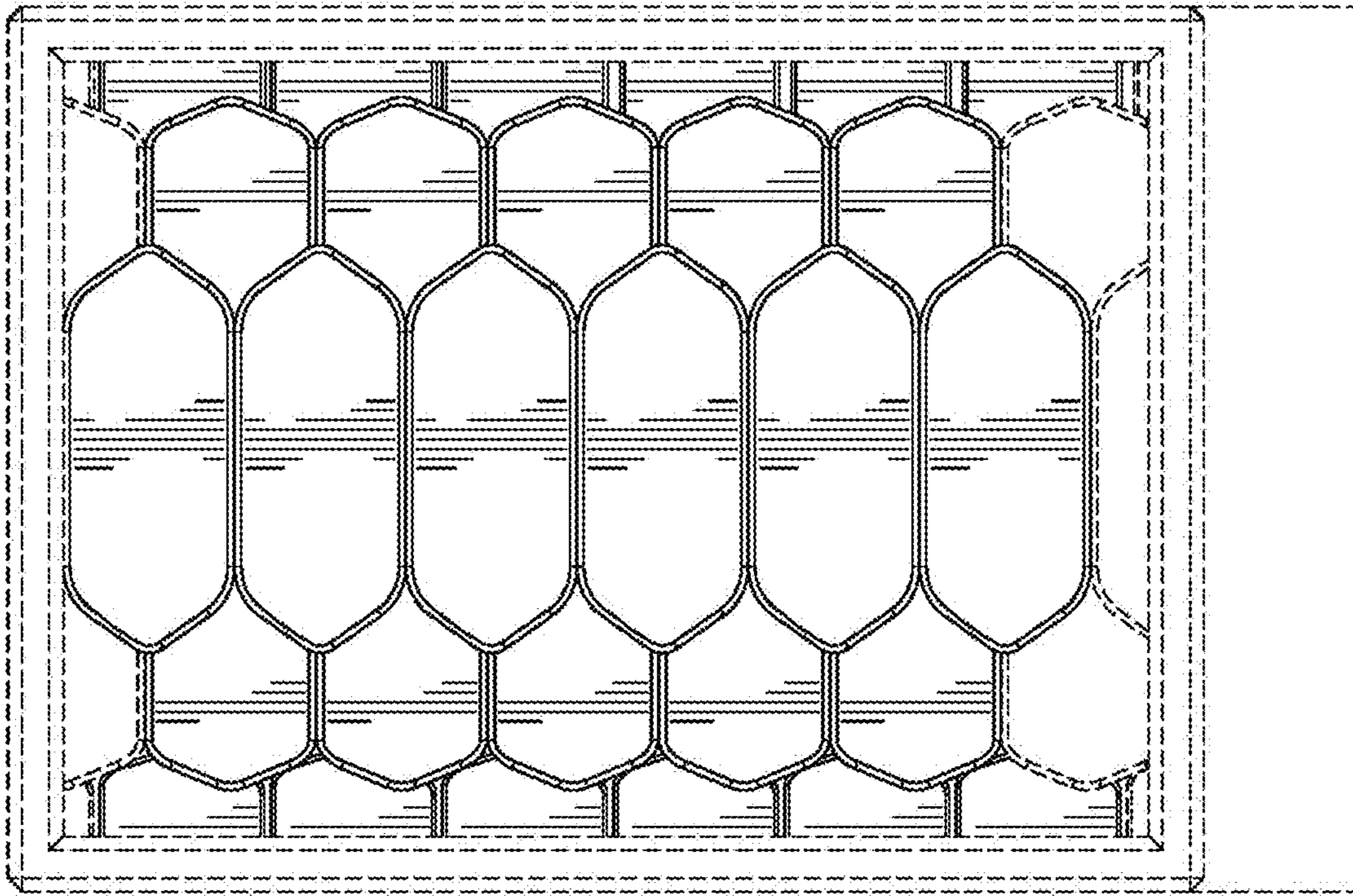


FIG. 15

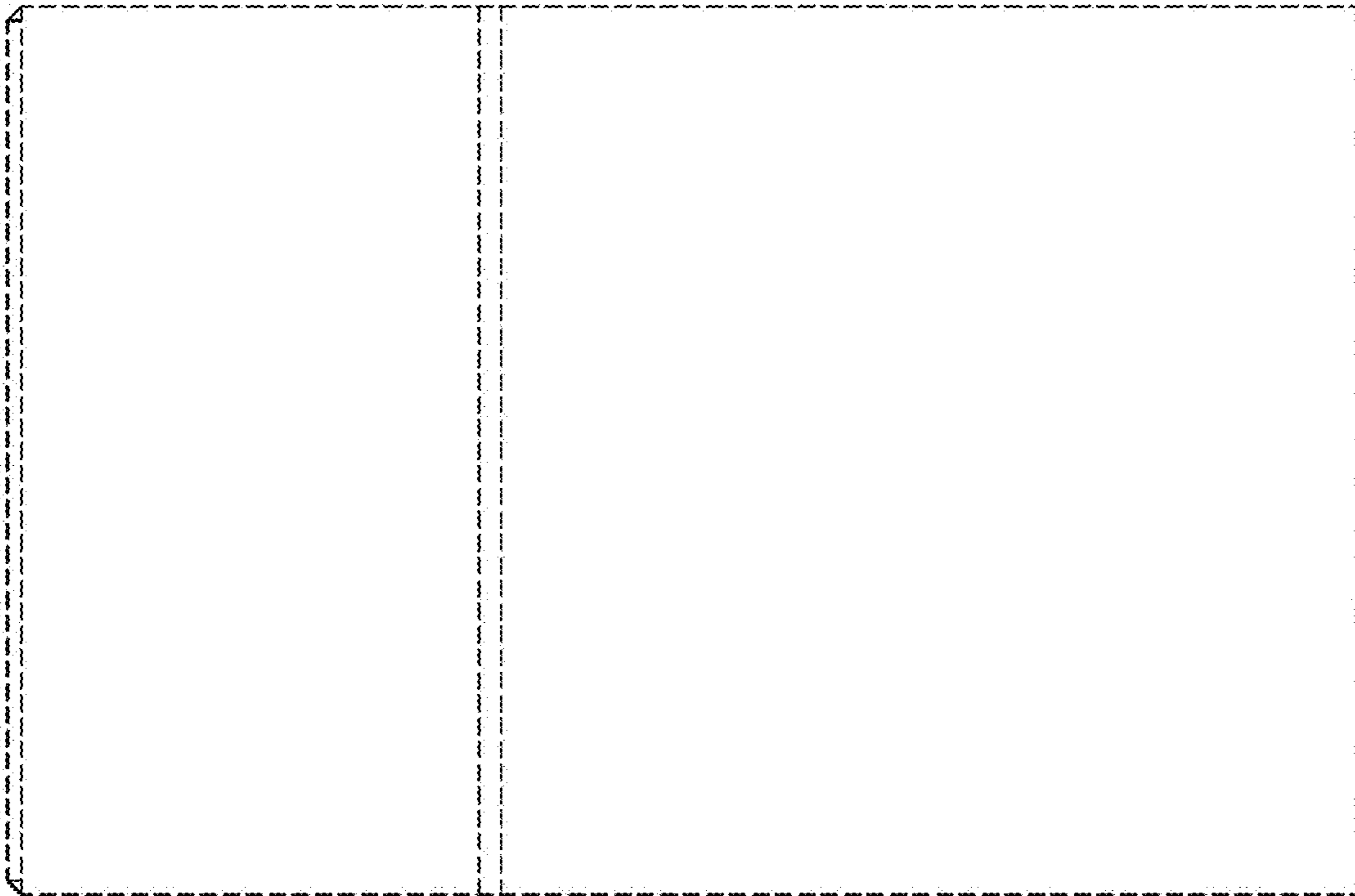


FIG. 16