



US00D881734S

(12) **United States Design Patent** (10) **Patent No.:** **US D881,734 S**  
**Graber** (45) **Date of Patent:** **\*\* Apr. 21, 2020**

(54) **WHISTLE**

(71) Applicant: **Curtis E. Graber**, Woodburn, IN (US)

(72) Inventor: **Curtis E. Graber**, Woodburn, IN (US)

(\*\*) Term: **15 Years**

(21) Appl. No.: **29/580,332**

(22) Filed: **Oct. 7, 2016**

(51) **LOC (12) Cl.** ..... **10-05**

(52) **U.S. Cl.**  
USPC ..... **D10/119**

(58) **Field of Classification Search**

USPC ..... D10/104.1, 104.2, 116.1, 119.1, 119.2,  
D10/119.3, 119.4, 120, 121; 446/202,  
446/204, 212, 213, 214, 215, 216;  
116/137 R, 141, 142 R

CPC ..... G10K 5/00; G09F 9/37  
See application file for complete search history.

(56) **References Cited**

**U.S. PATENT DOCUMENTS**

D365,854 S *	1/1996	Mathews	.....	D10/119.3
D409,939 S *	5/1999	Sharp	.....	D10/119.3
D478,526 S *	8/2003	Cohen	.....	D10/119.3
D486,413 S *	2/2004	Primos	.....	D10/119.1
D539,687 S *	4/2007	Chen	.....	D10/119.3
D639,197 S *	6/2011	Primos	.....	D10/119.1
D708,537 S *	7/2014	Marney	.....	D10/119.1
D708,538 S *	7/2014	Marney	.....	D10/119.1
D743,288 S *	11/2015	Mundhra	.....	D10/119.3
D743,289 S *	11/2015	Mundhra	.....	D10/119.3
2011/0315068 A1 *	12/2011	Shishido	.....	G10K 5/00 116/137 R

**OTHER PUBLICATIONS**

Available Oct. 6, 2017, [online], [site visited Feb. 24, 2019].  
Available from Internet, <URL:https://www.linkedin.com/pulse/  
hyperwhistle-kickstartercom-curtis-graber?articleId=

6321867374278647808#comments-6321867374278647808&trk=  
public\_profile\_post> (Year: 2017).\*  
(Via YouTube), available Oct. 6, 2017, [online], [site visited Feb.  
24, 2019]. Available from Internet, <URL:https://www.youtube.  
com/watch?v=3arN5HtB09k> (Year: 2017).\*  
(Via YouTube), available Oct. 18, 2017, [online], [site visited Feb.  
24, 2019]. Available from Internet, <URL:https://www.youtube.  
com/watch?v=y5PjIXPj3pM> (Year: 2017).\*  
(Via YouTube), available Sep. 24, 2018, [online], [site visited Feb.  
24, 2019]. Available from Internet, <URL:https://www.youtube.  
com/watch?v=lae-ImUrPX8> (Year: 2018).\*  
Available Jan. 9, 2017, [online], [site visited Feb. 24, 2019].  
Available from Internet, <URL:https://www.kickstarter.com/projects/  
2136259834/hyperwhistle-the-worlds-loudest-safety-survival-wh/  
comments> (Year: 2017).\*  
Available Apr. 7, 2017, [online], [site visited Feb. 24, 2019].  
Available from Internet, <URL:https://www.amazon.com/HyperWhistle-  
Original-Instructors-Protection-Emergency/dp/B01MUGZE9A/ref=  
cm\_cr\_ar\_p\_d\_product\_top?ie=UTF8> (Year: 2017).\*

(Continued)

*Primary Examiner* — Michael C Stout  
*Assistant Examiner* — Katrina N Gonzalez  
(74) *Attorney, Agent, or Firm* — Taylor IP, P.C.

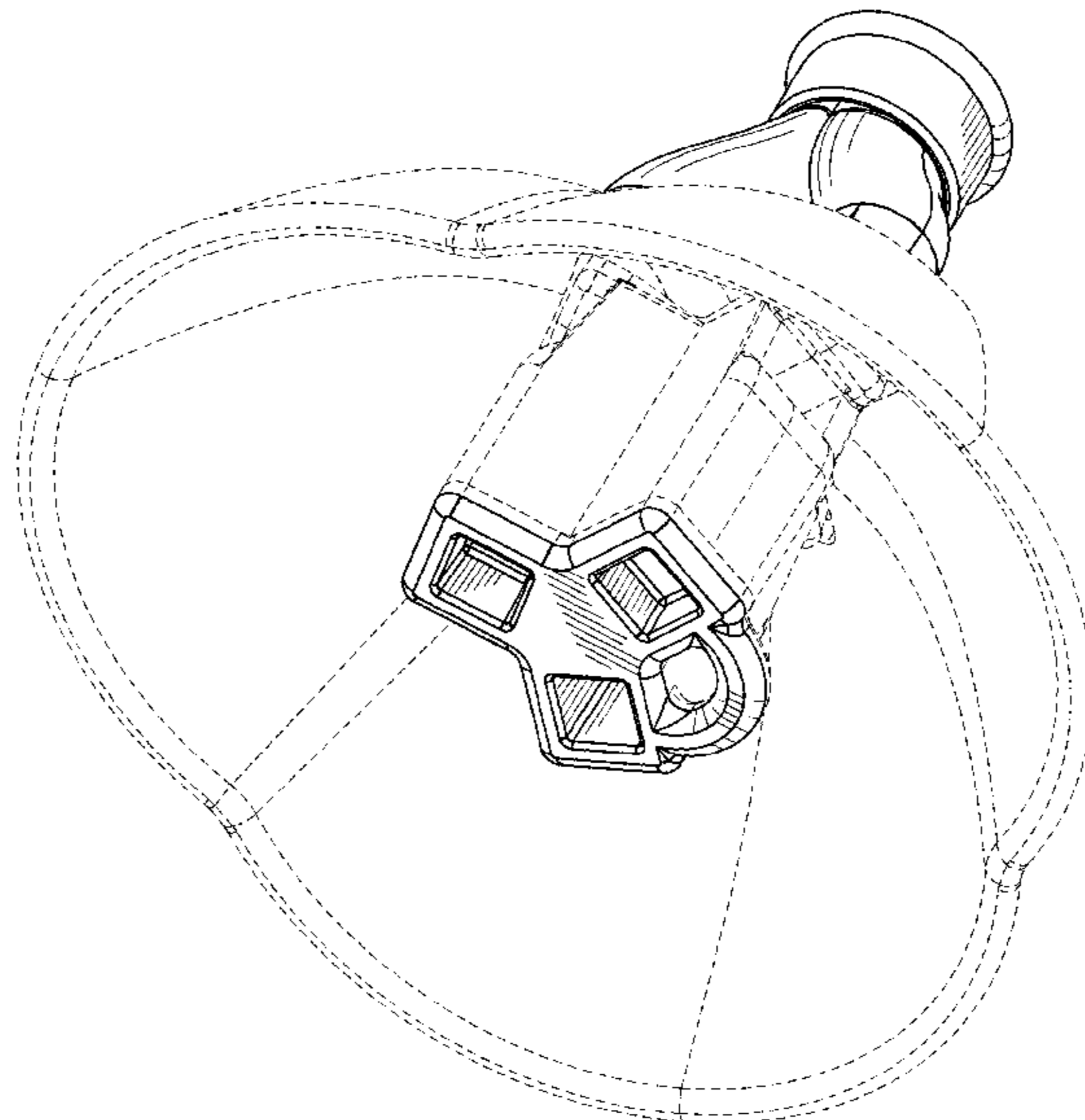
(57) **CLAIM**

The ornamental design for a whistle, as shown and described.

**DESCRIPTION**

FIG. 1 is a front perspective view of a whistle showing my new design;  
FIG. 2 is a rear perspective view thereof;  
FIG. 3 is a front view thereof;  
FIG. 4 is a rear view thereof;  
FIG. 5 is a bottom view thereof; and,  
FIG. 6 is a top view thereof.  
The broken lines in the drawings depict portions of the whistle that form no part of the claimed design.

**1 Claim, 6 Drawing Sheets**



(56)

**References Cited**

OTHER PUBLICATIONS

Available Sep. 29, 2018, [online], [site visited Feb. 24, 2019].  
Available from Internet, <URL:[https://www.amazon.com/jetfree-Whistle-Outdoor-Emergency-Convenient/dp/B01IJ8TCEO/ref=pd\\_sbs\\_468\\_2/143-6128888-7408566](https://www.amazon.com/jetfree-Whistle-Outdoor-Emergency-Convenient/dp/B01IJ8TCEO/ref=pd_sbs_468_2/143-6128888-7408566)> (Year: 2018).\*

Available Dec. 15, 2014, [online], [site visited Feb. 24, 2019].  
Available from Internet, <URL:[https://www.youtube.com/watch?v=HjooMHN\\_7Wk](https://www.youtube.com/watch?v=HjooMHN_7Wk)> (Year: 2014).\*

\* cited by examiner

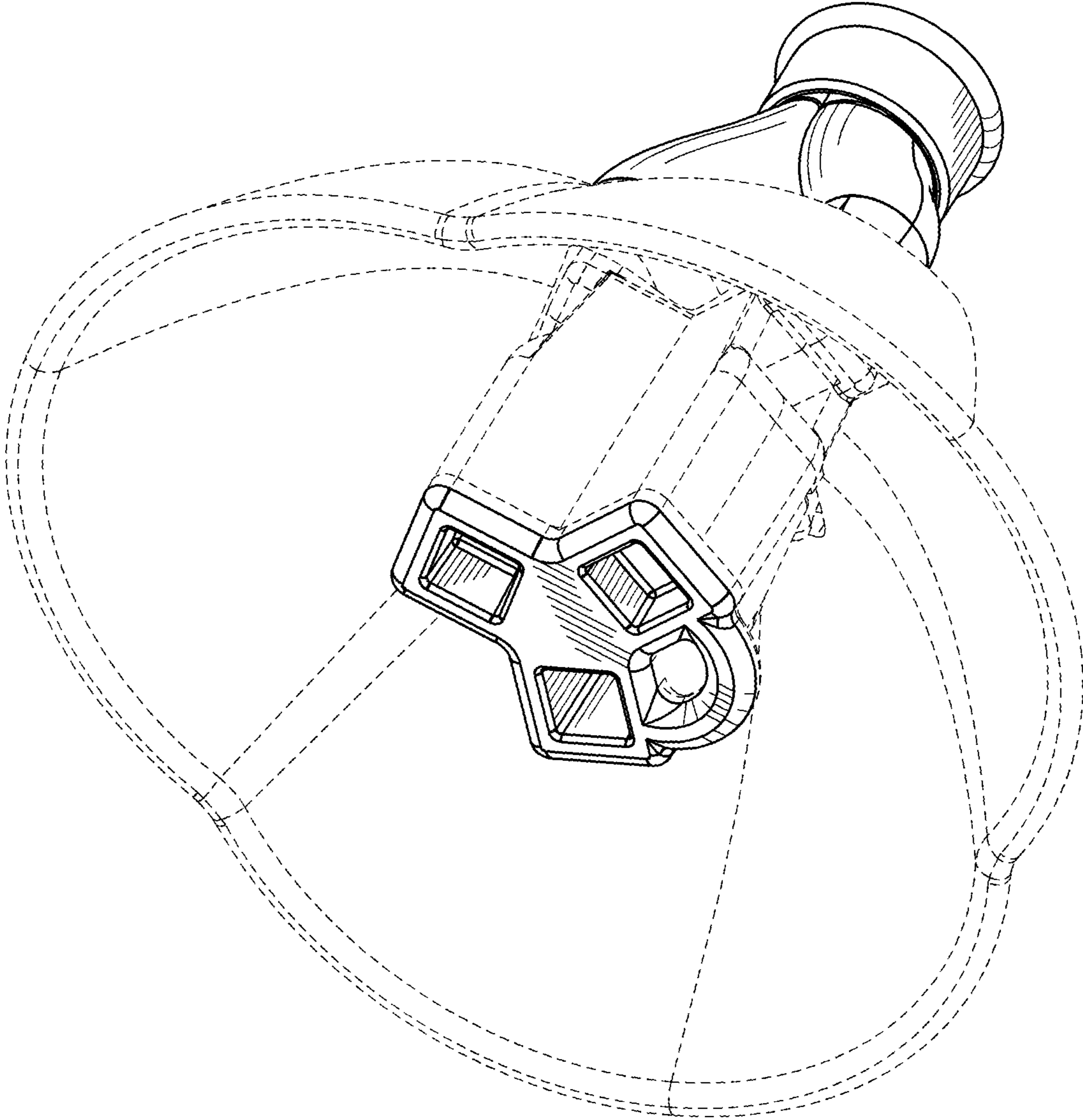


Fig. 1

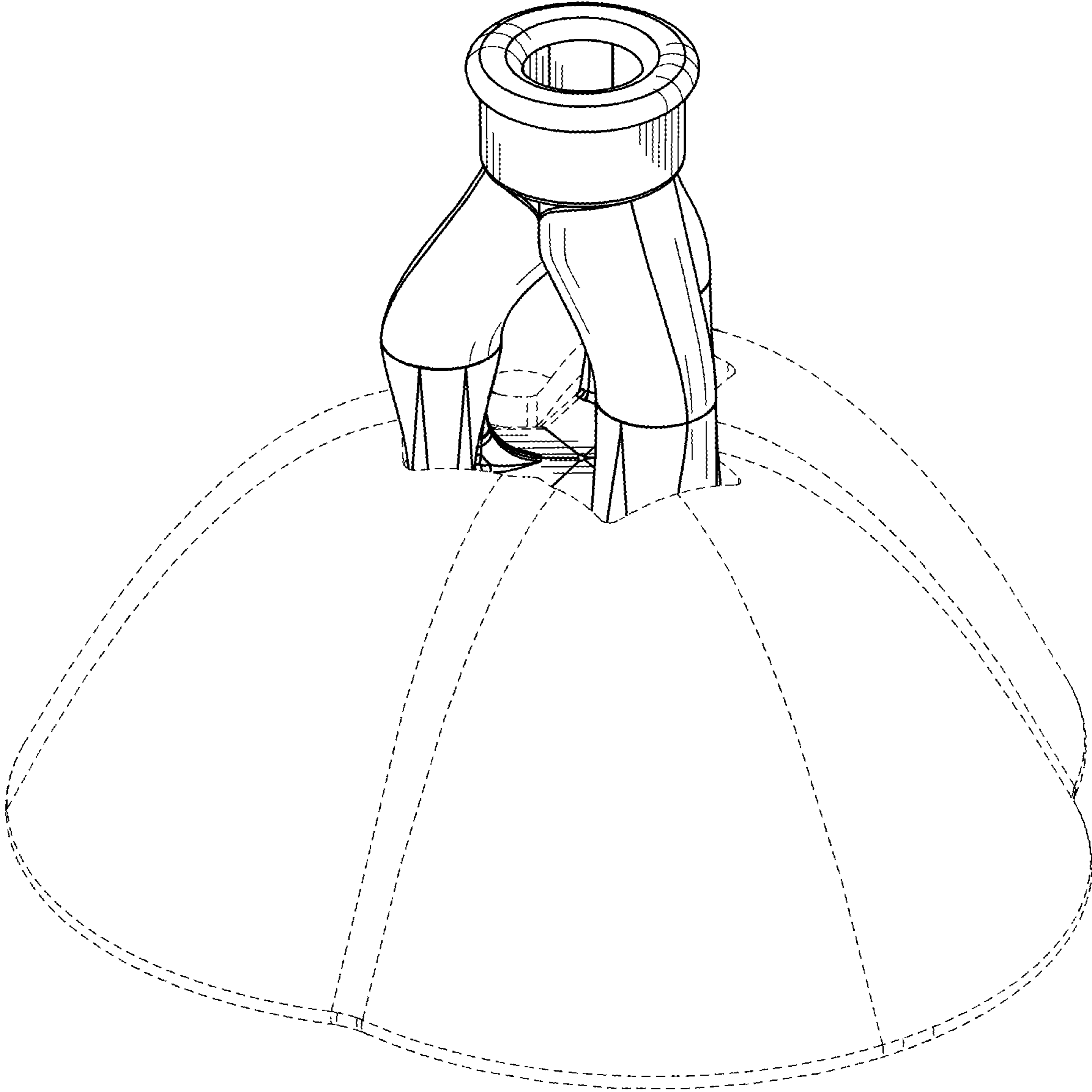


Fig. 2

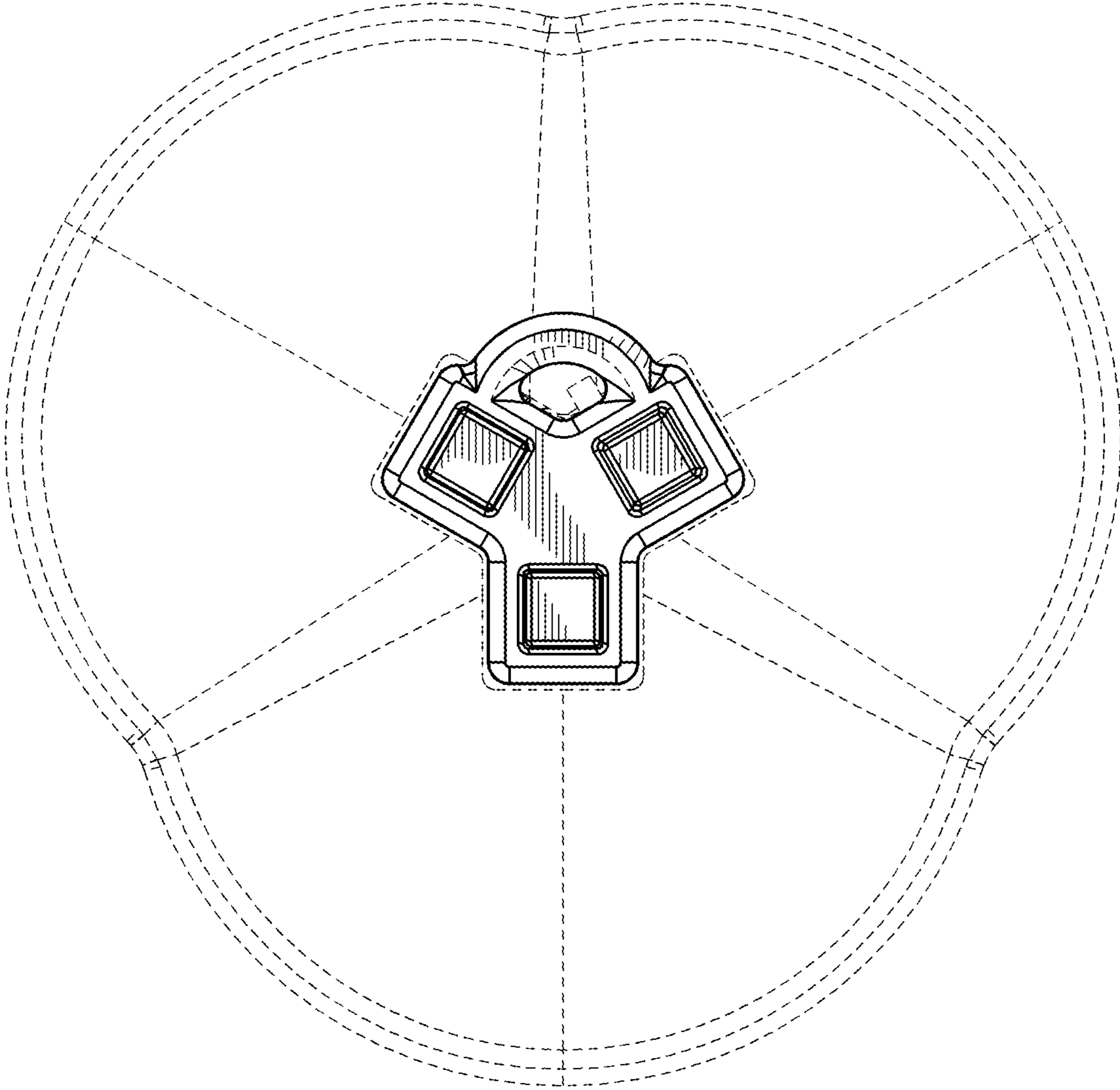


Fig. 3

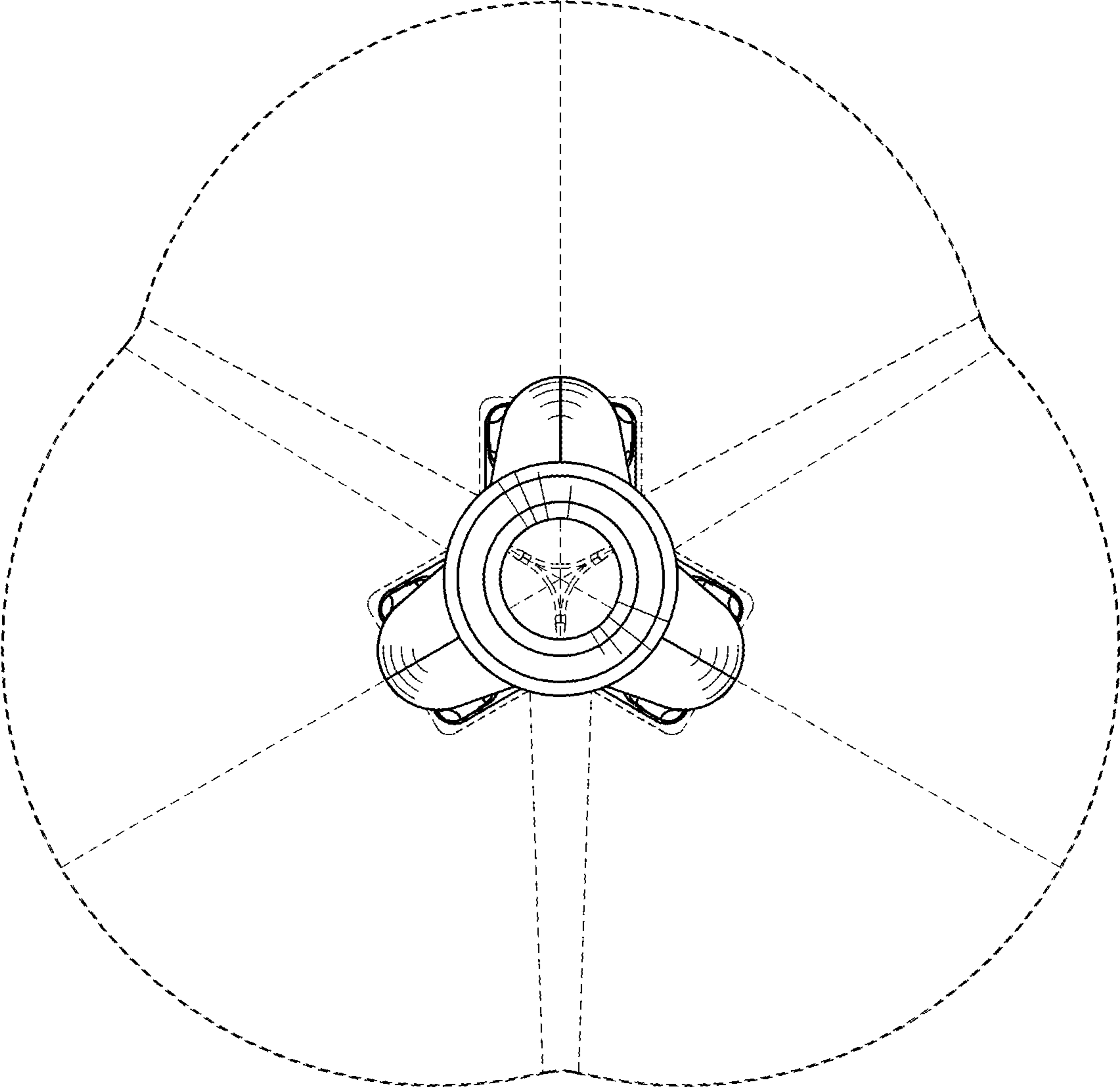


Fig. 4

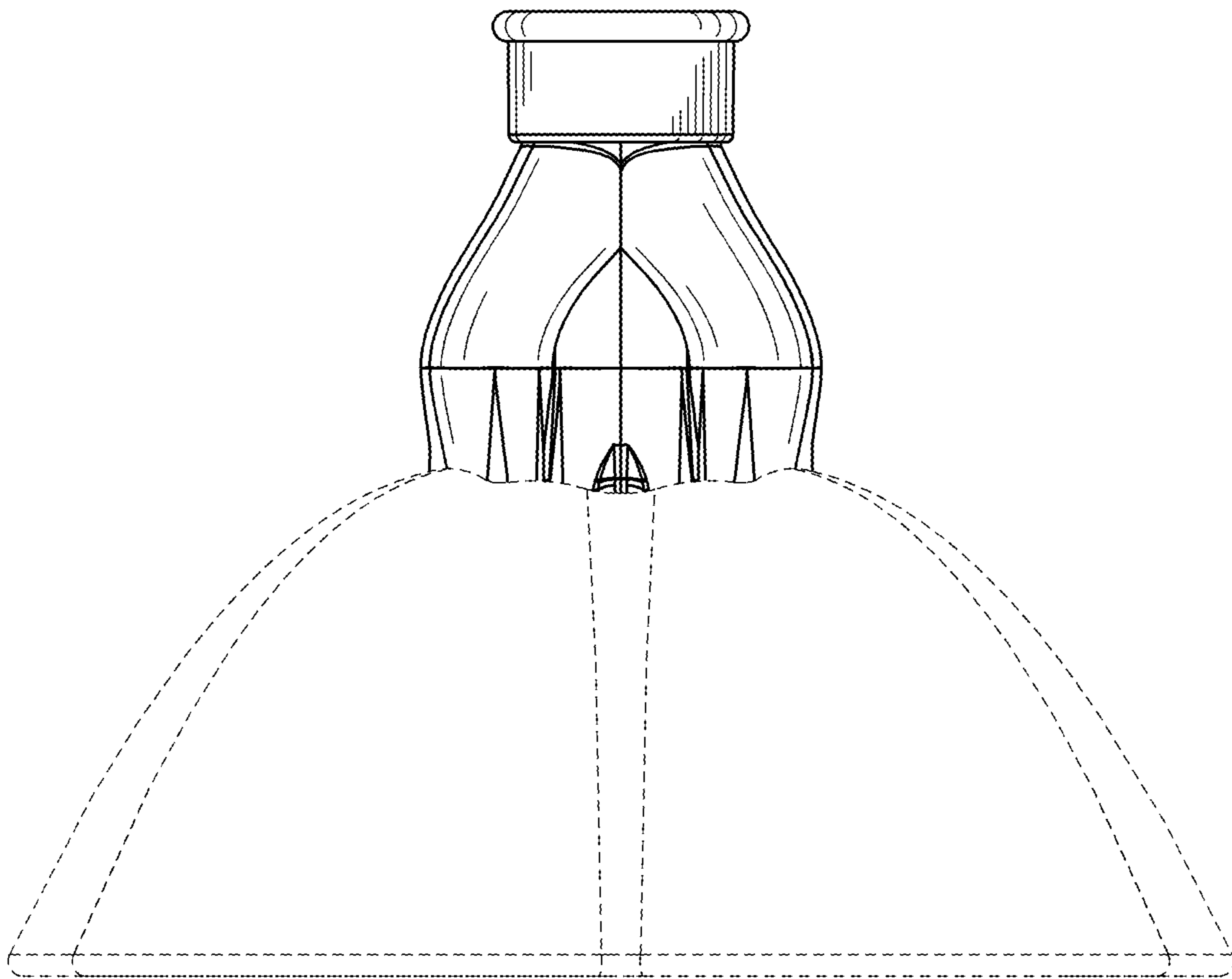


Fig. 5

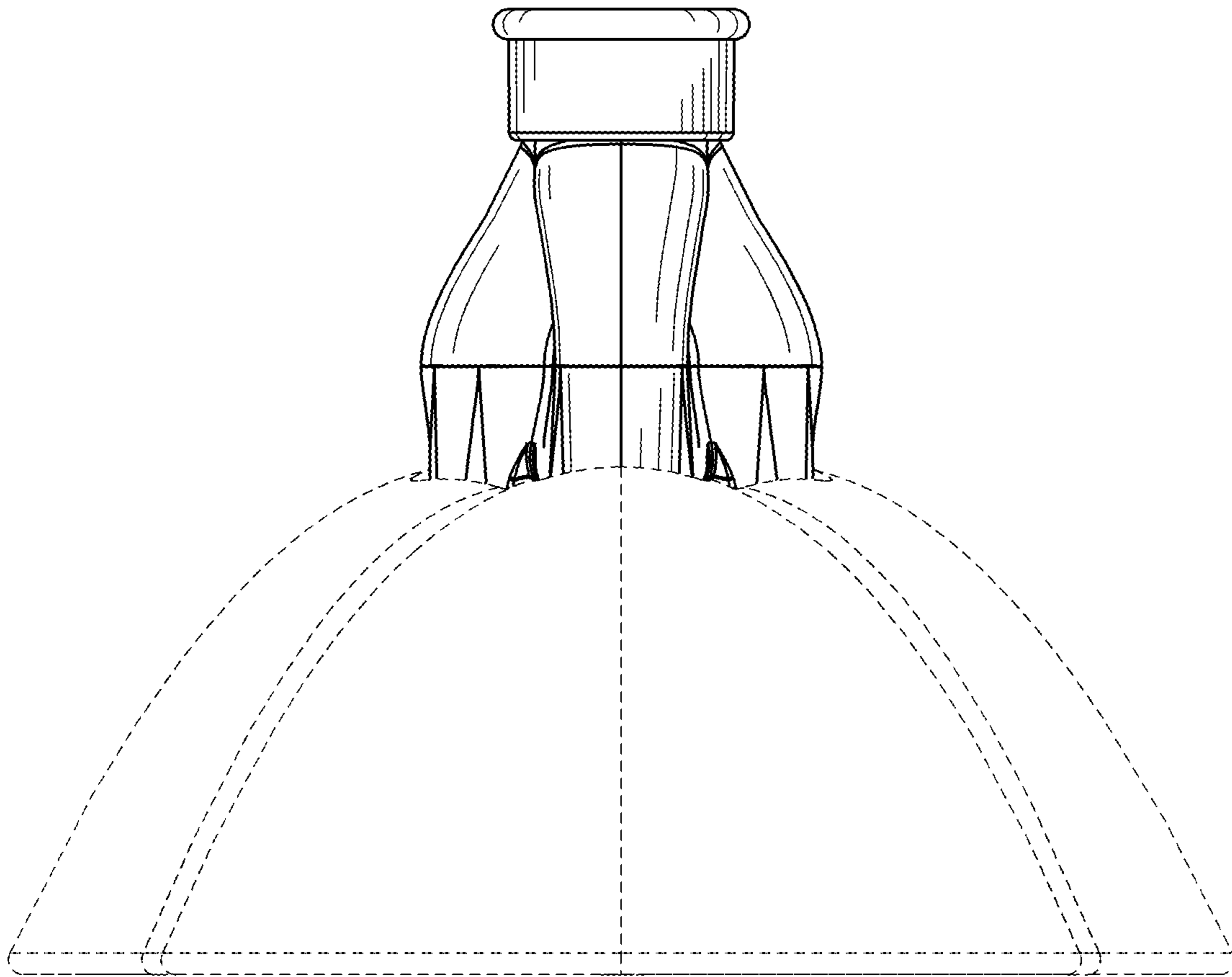


Fig. 6