



US00D881733S

(12) **United States Design Patent** (10) **Patent No.:** **US D881,733 S**  
**Briehl** (45) **Date of Patent:** **\*\* Apr. 21, 2020**

(54) **BARRIER**

(71) Applicant: **EISENGIEßEREI TORGELOW GMBH**, Torgelow (DE)

(72) Inventor: **Stephan Briehl**, Rostock (DE)

(73) Assignee: **Eisengiesserei Torgelow GmbH**, Torgelow (DE)

(\*\*) Term: **15 Years**

(21) Appl. No.: **35/505,152**

(22) Filed: **Jun. 7, 2018**

(80) **Hague Agreement Data**

Int. Filing Date: **Jun. 7, 2018**

Int. Reg. No.: **DM/101531**

Int. Reg. Date: **Jun. 7, 2018**

Int. Reg. Pub. Date: **Jun. 22, 2018**

(30) **Foreign Application Priority Data**

Dec. 7, 2017 (EM) ..... 004539021-0001

Dec. 7, 2017 (EM) ..... 004539021-0002

Dec. 7, 2017 (EM) ..... 004539021-0003

Dec. 7, 2017 (EM) ..... 004539021-0004

Dec. 7, 2017 (EM) ..... 004539021-0005

(51) **LOC (12) Cl.** ..... **10-05**

(52) **U.S. Cl.**  
USPC ..... **D10/113.3**

(58) **Field of Classification Search**

USPC ..... D25/58, 59, 60, 61, 125, 126, 127, 128,  
D25/129, 130, 131, 132, 133, 134, 135;  
D10/113.1, 63, 113.2, 113.3, 113.4,  
D10/114.6; 116/200, 63 C, 63 P; 404/9,  
404/10; D12/114, 120

CPC ..... E01F 9/654; E01F 9/688; E01F 13/028;  
E01F 15/086; E01F 15/088; E01F 9/70;  
E01F 9/619; E01F 9/692; E01F 9/627;  
E01F 9/629; E01F 9/588; E01F 9/615;

E02D 5/80; E04H 12/2215; E04H  
12/2238; E04H 12/2253; F16B 17/006;  
F21V 15/00; F21V 15/04; F21V 21/0824

See application file for complete search history.

(56) **References Cited**

U.S. PATENT DOCUMENTS

5,993,105	A *	11/1999	Chan	.....	E01F 9/629 116/173
D511,389	S *	11/2005	Dascenzo	.....	D25/58
6,971,329	B1 *	12/2005	Stewart	.....	E01F 13/028 116/63 C
D620,129	S *	7/2010	Lundh	.....	D25/48.5
D620,823	S *	8/2010	Hannah	.....	D10/113.3
D620,824	S *	8/2010	Hannah	.....	D10/113.3
8,915,040	B2 *	12/2014	James	.....	E01F 15/088 404/6
8,925,477	B2 *	1/2015	Wang	.....	E01F 9/654 116/63 C
D736,328	S *	8/2015	Holland	.....	D10/113.2
D766,158	S *	9/2016	Martin	.....	D12/317
D791,001	S *	7/2017	Rich	.....	D10/113.2

(Continued)

*Primary Examiner* — Samantha Q Lawrence

(74) *Attorney, Agent, or Firm* — Collard & Roe, P.C.

(57) **CLAIM**

The ornamental design for barrier, as shown and described.

**DESCRIPTION**

FIG. 4.1 is a left side view of a barrier, showing my new design, with the right side view being identical;

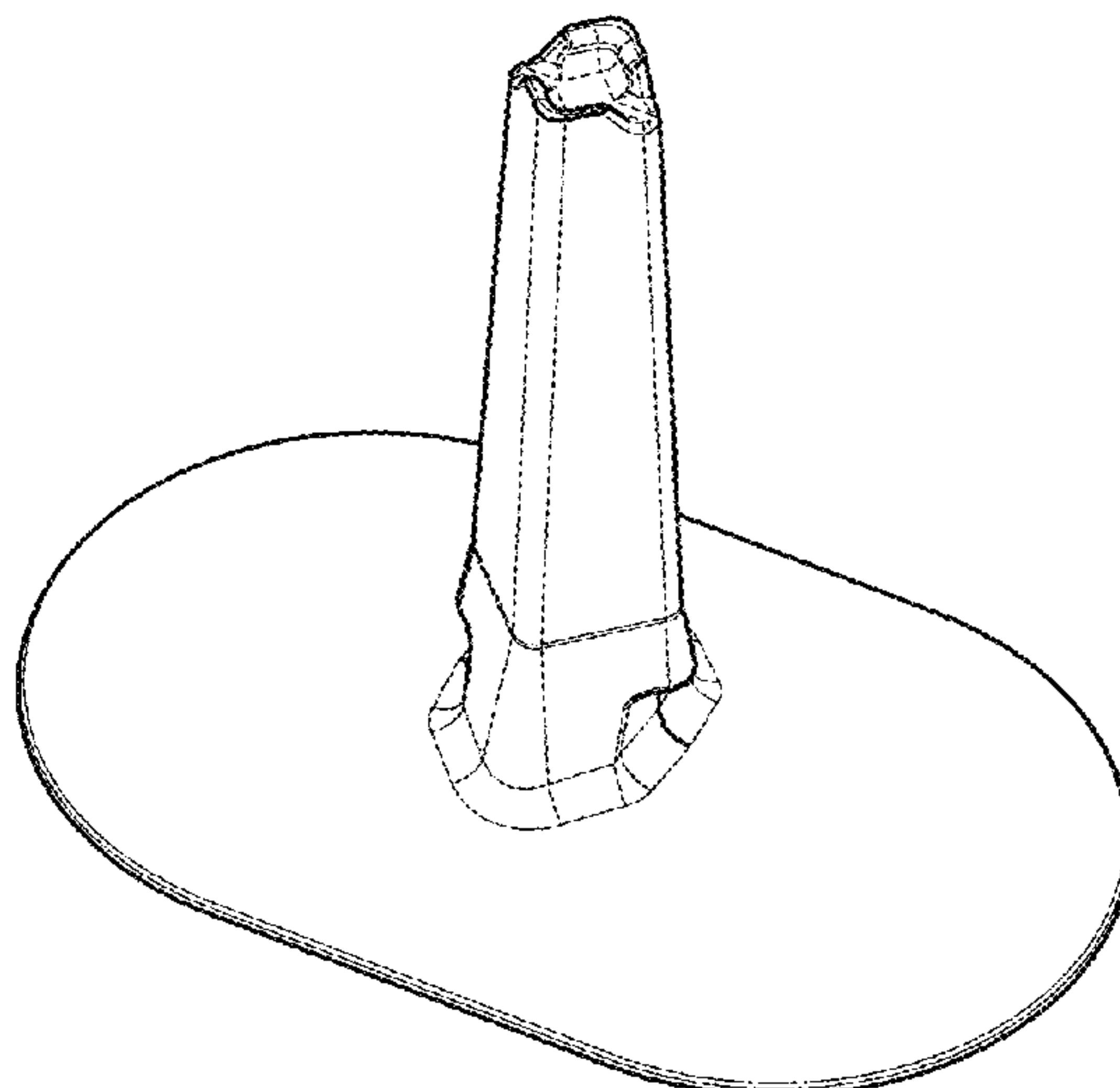
FIG. 4.2 is a front view thereof, with the rear view being identical;

FIG. 4.3 is a top view thereof; and

FIG. 4.4 is a front, top and right side perspective view thereof.

The broken lines shown in Figures 4.3 and 4.4 illustrate portions of the barrier that form no part of the claimed design.

**1 Claim, 4 Drawing Sheets**



(56)

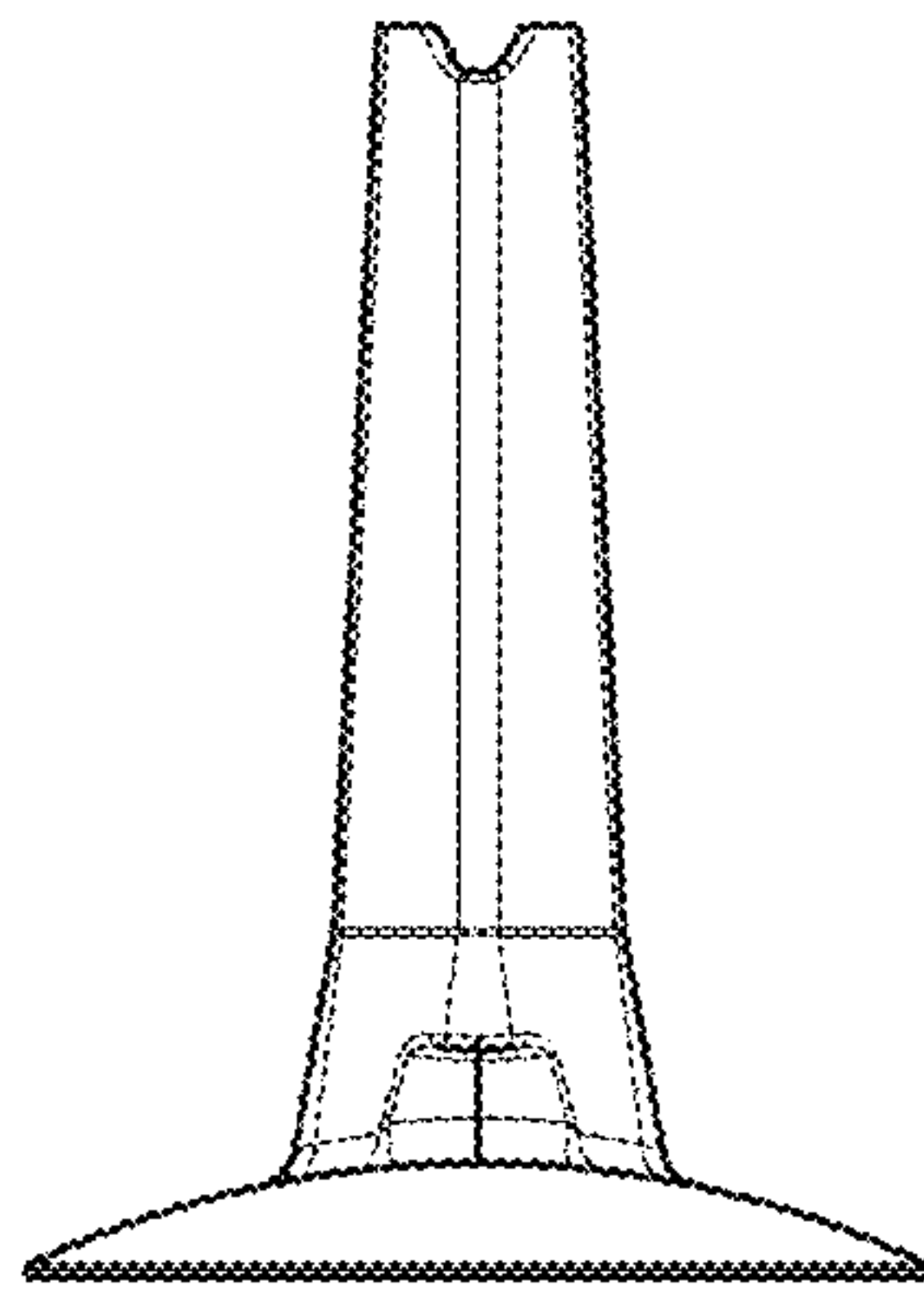
**References Cited**

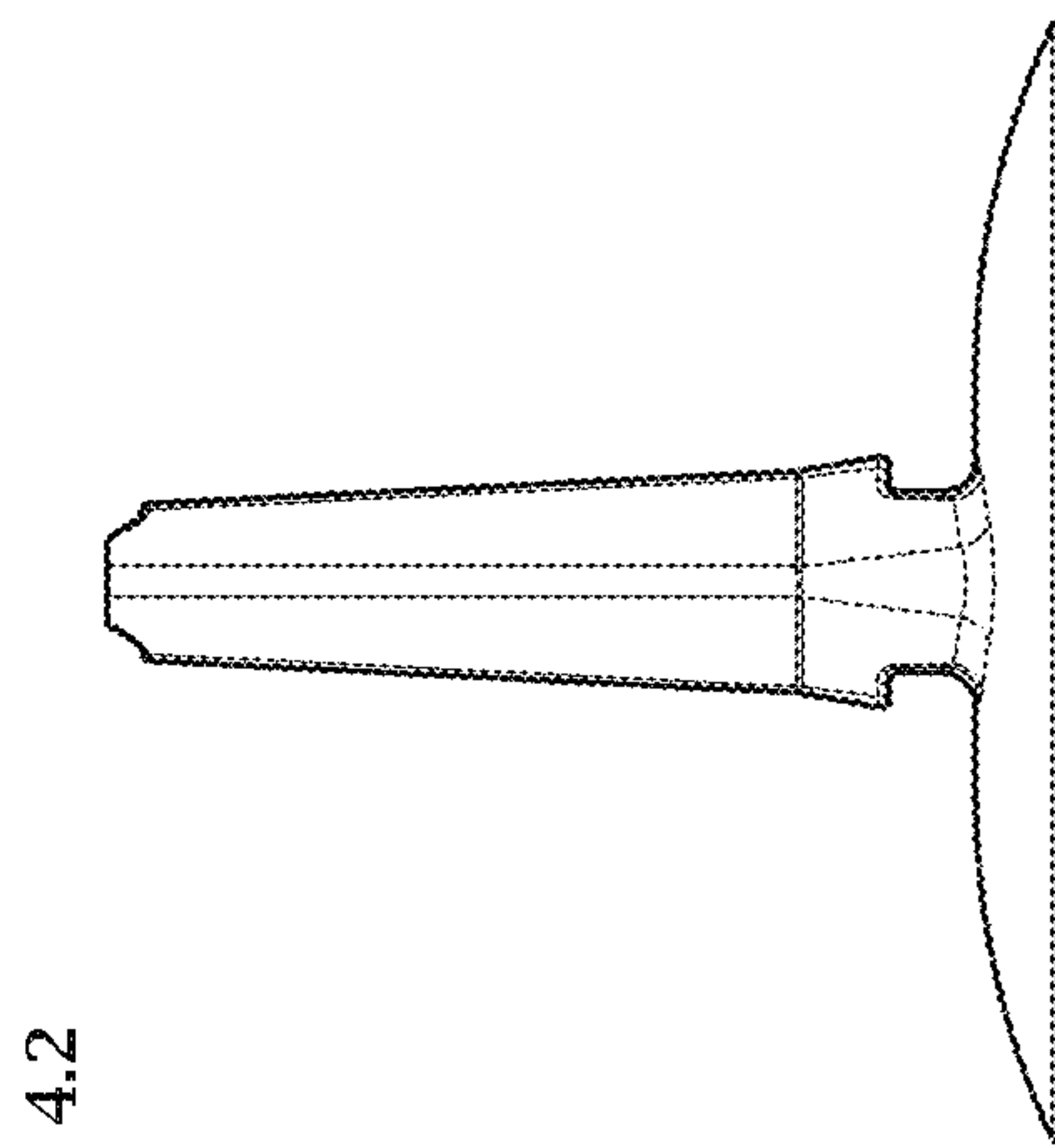
U.S. PATENT DOCUMENTS

D792,613	S	*	7/2017	Bar-or .....	D25/126
10,006,178	B2	*	6/2018	Intagliata .....	E01F 9/608
10,100,473	B1	*	10/2018	Van Egmond .....	E01F 9/619
2006/0113514	A1	*	6/2006	Prismall .....	E01F 13/028 256/1

\* cited by examiner

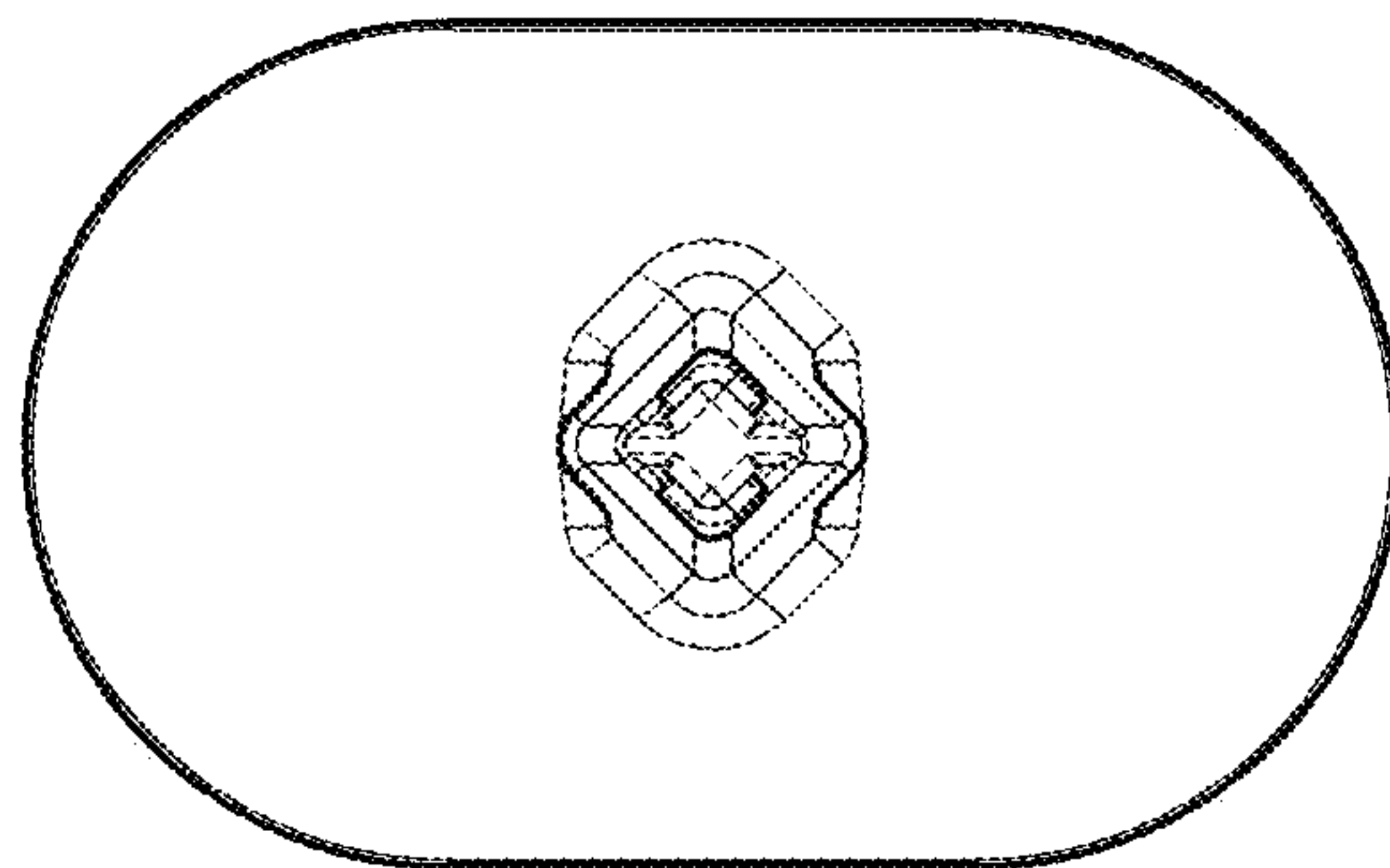
4.1





4.2

4.3



4.4

