



US00D881731S

(12) **United States Design Patent**
Kazaoka et al.

(10) **Patent No.:** **US D881,731 S**
(45) **Date of Patent:** **** Apr. 21, 2020**

(54) **ULTRASONIC MEASUREMENT APPARATUS**

7/071; F16K 31/02; F16K 31/05; Y02A
20/15; Y10T 137/8158; F17D 1/00;
G01M 3/28

(71) Applicant: **mitsubishi heavy industries, LTD.**, Tokyo (JP)

See application file for complete search history.

(72) Inventors: **Naoki Kazaoka**, Tokyo (JP); **Naoki Shibata**, Tokyo (JP)

(56) **References Cited**

(73) Assignee: **mitsubishi heavy industries, LTD.**, Tokyo (JP)

U.S. PATENT DOCUMENTS

(**) Term: **15 Years**

D856,834 S * 8/2019 Ehrlich D10/96
10,410,501 B2 * 9/2019 Klicpera F16K 31/05

(21) Appl. No.: **29/665,396**

* cited by examiner

(22) Filed: **Oct. 3, 2018**

Primary Examiner — Antoine Duval Davis

(30) **Foreign Application Priority Data**

Apr. 6, 2018 (JP) 2018-007595

(74) *Attorney, Agent, or Firm* — Birch, Stewart, Kolasch & Birch, LLP.

(51) **LOC (12) Cl.** **10-04**

(57) **CLAIM**

The ornamental design for an ultrasonic measurement apparatus, as shown and described.

(52) **U.S. Cl.**

USPC **D10/96; D10/101**

DESCRIPTION

(58) **Field of Classification Search**

USPC D10/46, 96, 101

CPC G01N 11/04; G01N 9/24; G01N 23/12;

G01N 2223/1013; G01N 2223/308; G01N

2223/631; B63G 8/001; B63G 2008/005;

G05D 1/0011; G05D 1/0088; G01F

23/22; G01F 25/0061; G01F 23/24; G01F

23/296; G01F 23/266; G01F 1/667; G01F

1/66; H04Q 9/00; H04Q 2209/823; G08B

21/182; G08B 21/18; G08C 17/02; G08C

2200/00; H04L 67/12; E03B 7/12; E03B

FIG. 1 is a perspective view from the top side of an ultrasonic measurement apparatus.

FIG. 2 is a perspective view from the bottom side thereof.

FIG. 3 is a front elevation view thereof.

FIG. 4 is a rear elevation view thereof.

FIG. 5 is a left side elevation view thereof.

FIG. 6 is a right side elevation view thereof.

FIG. 7 is a top plan view thereof; and,

FIG. 8 is a bottom plan view thereof.

1 Claim, 8 Drawing Sheets

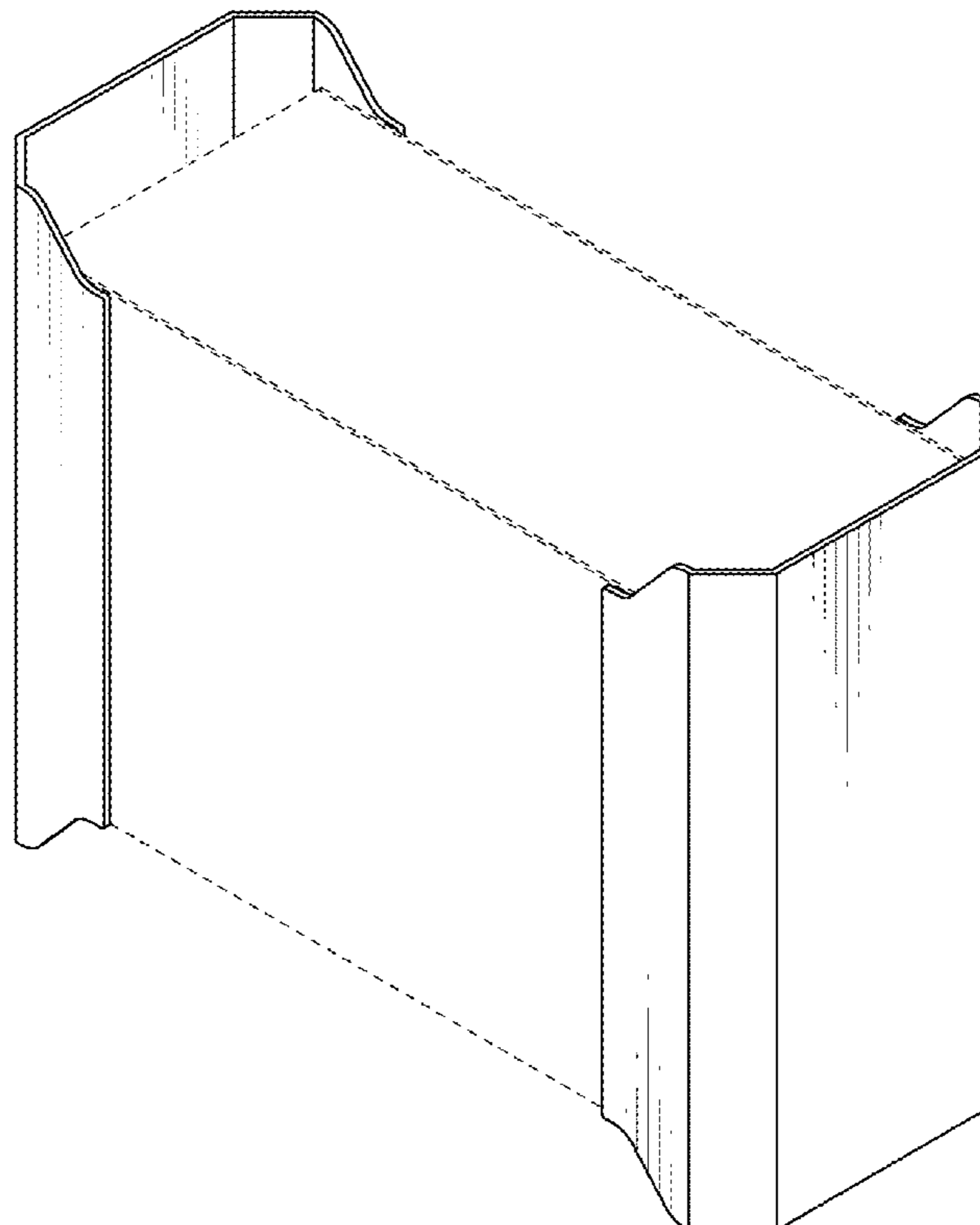


FIG. 1

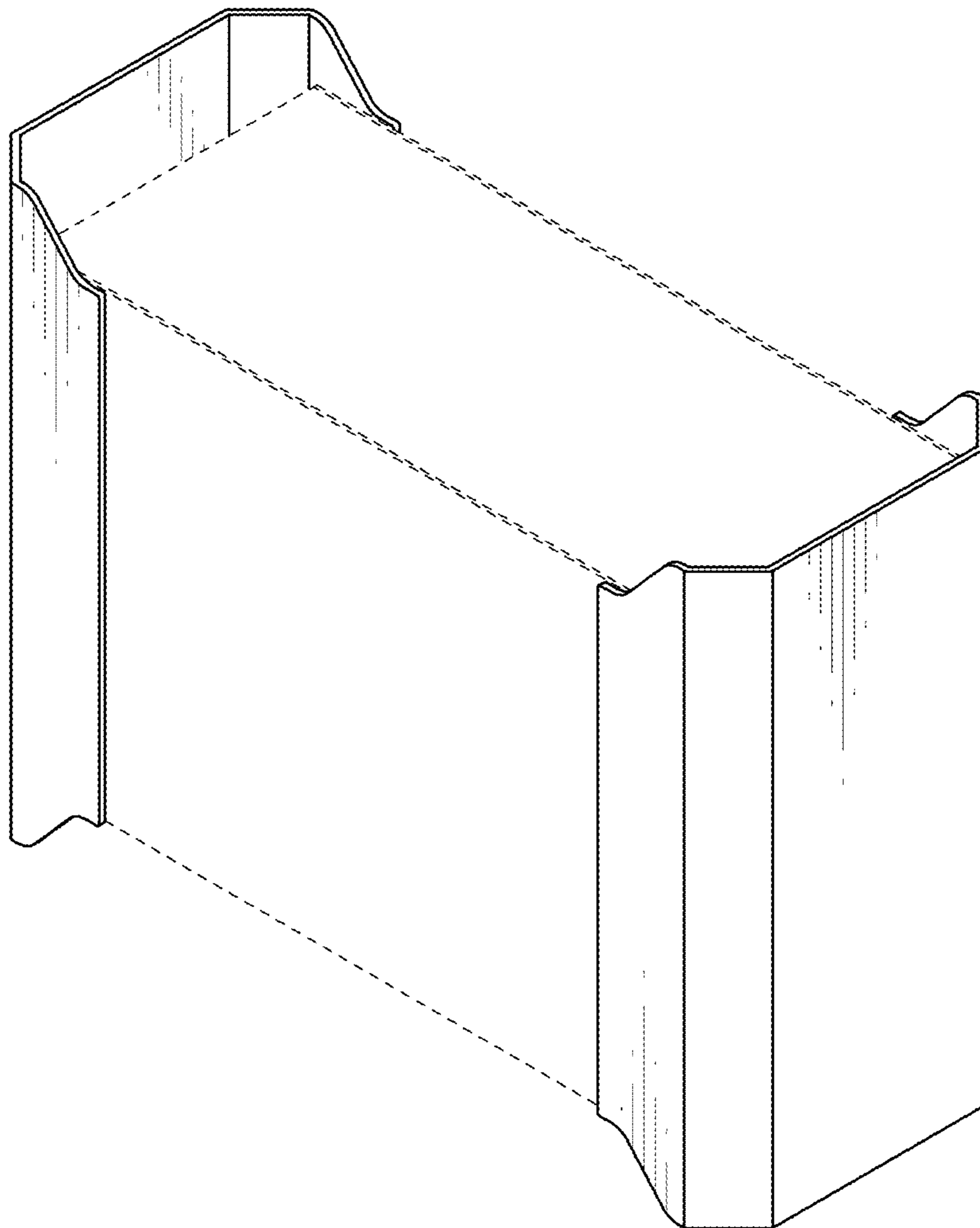


FIG. 2

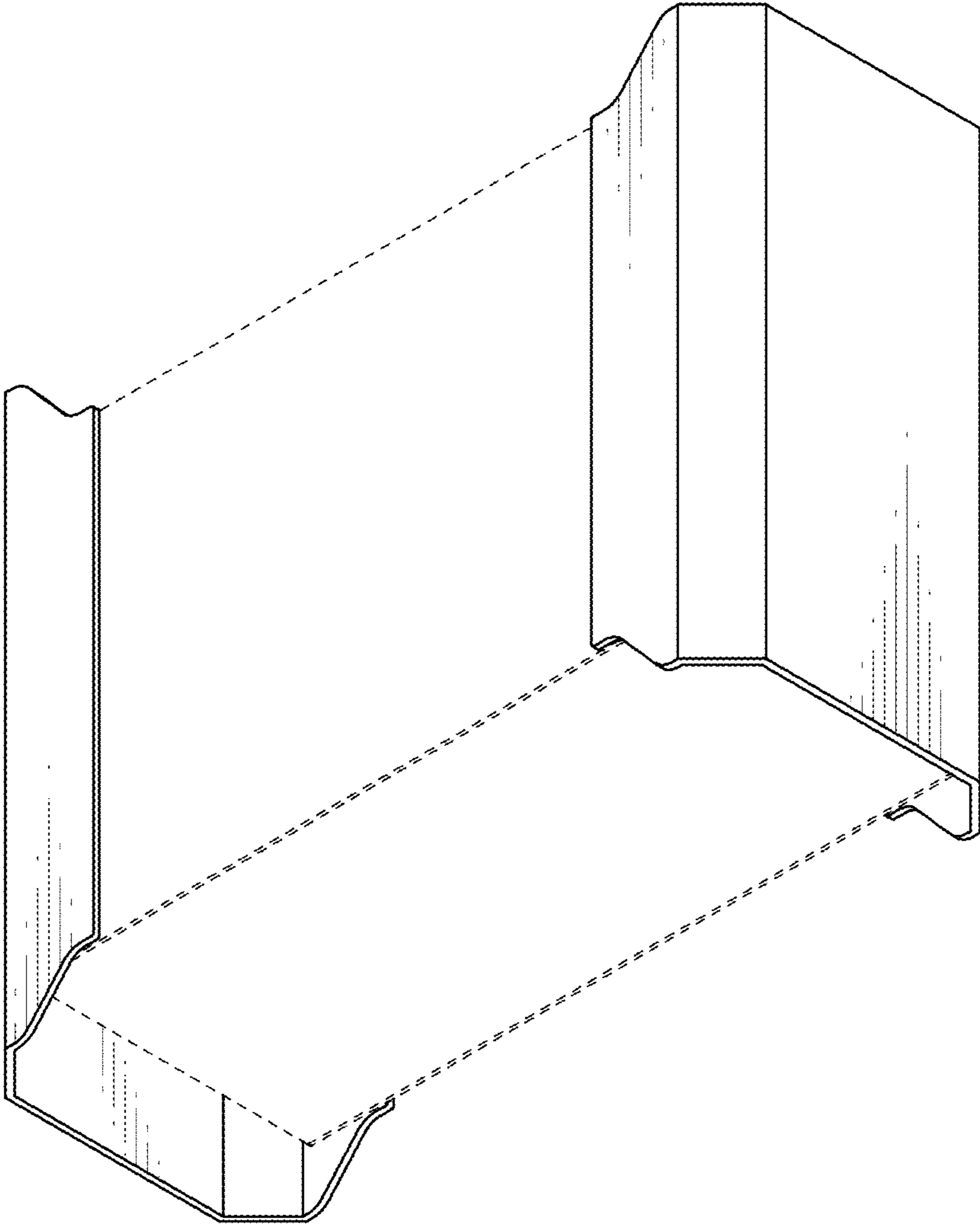


FIG. 3

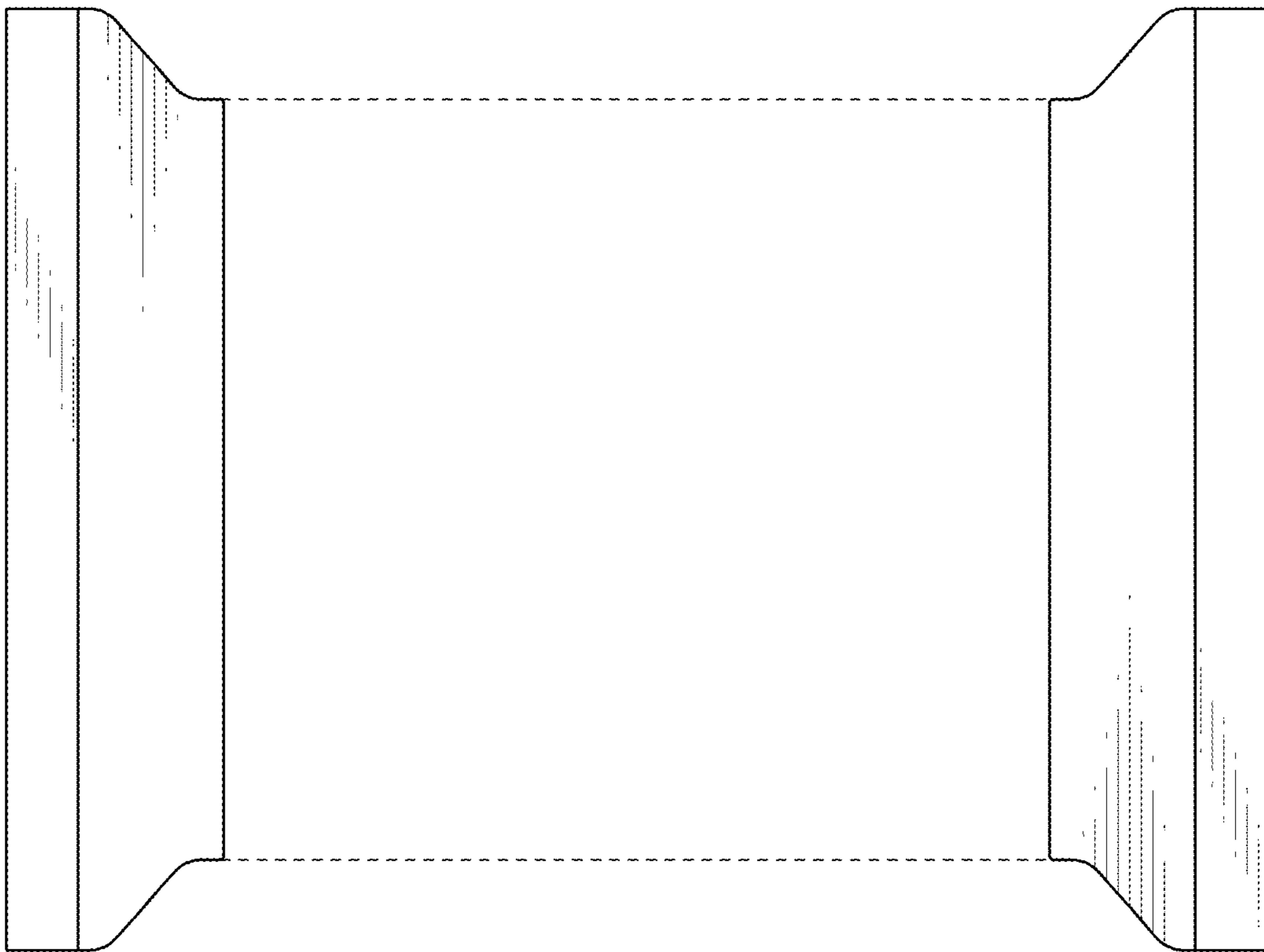


FIG. 4

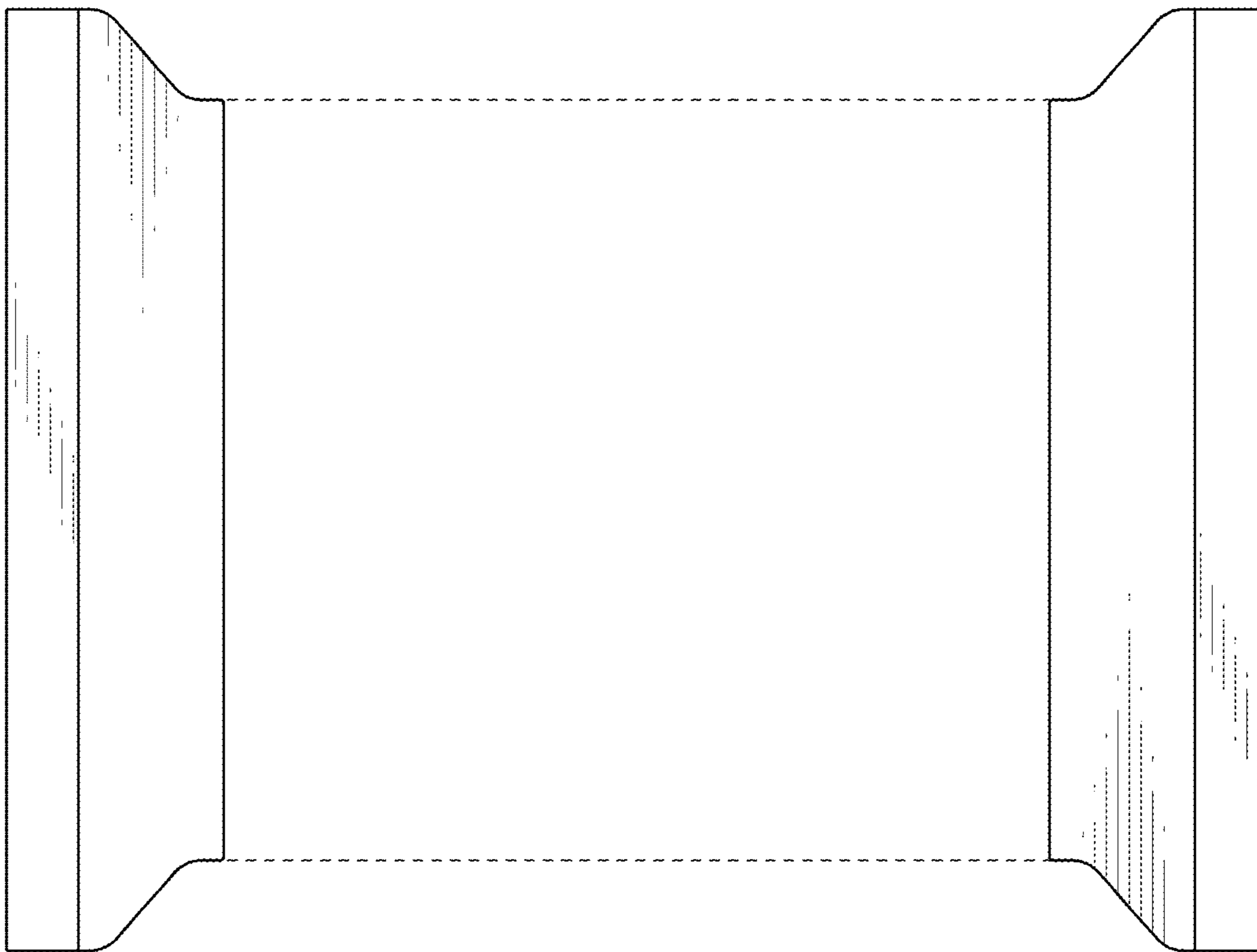


FIG. 5

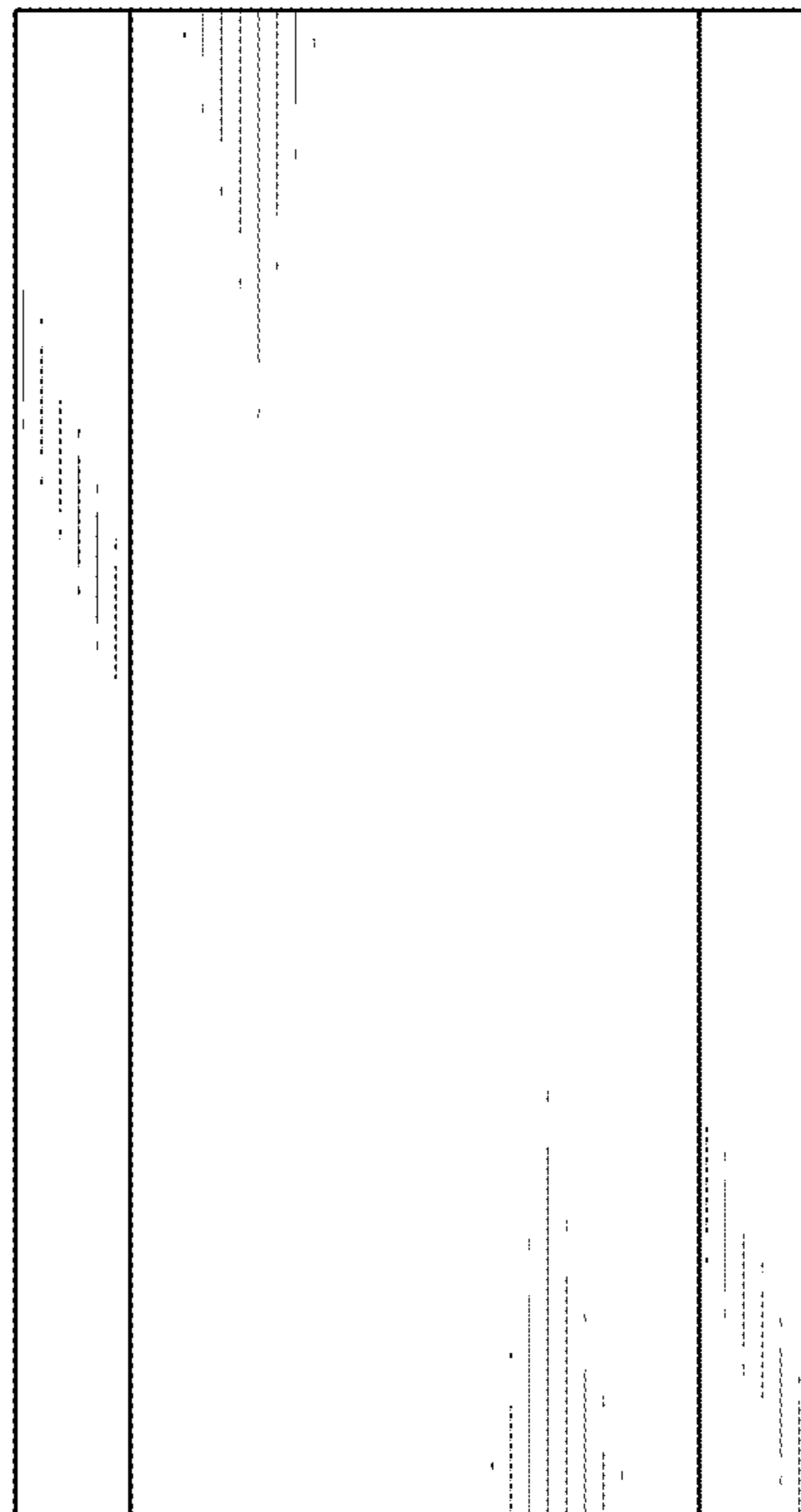


FIG. 6

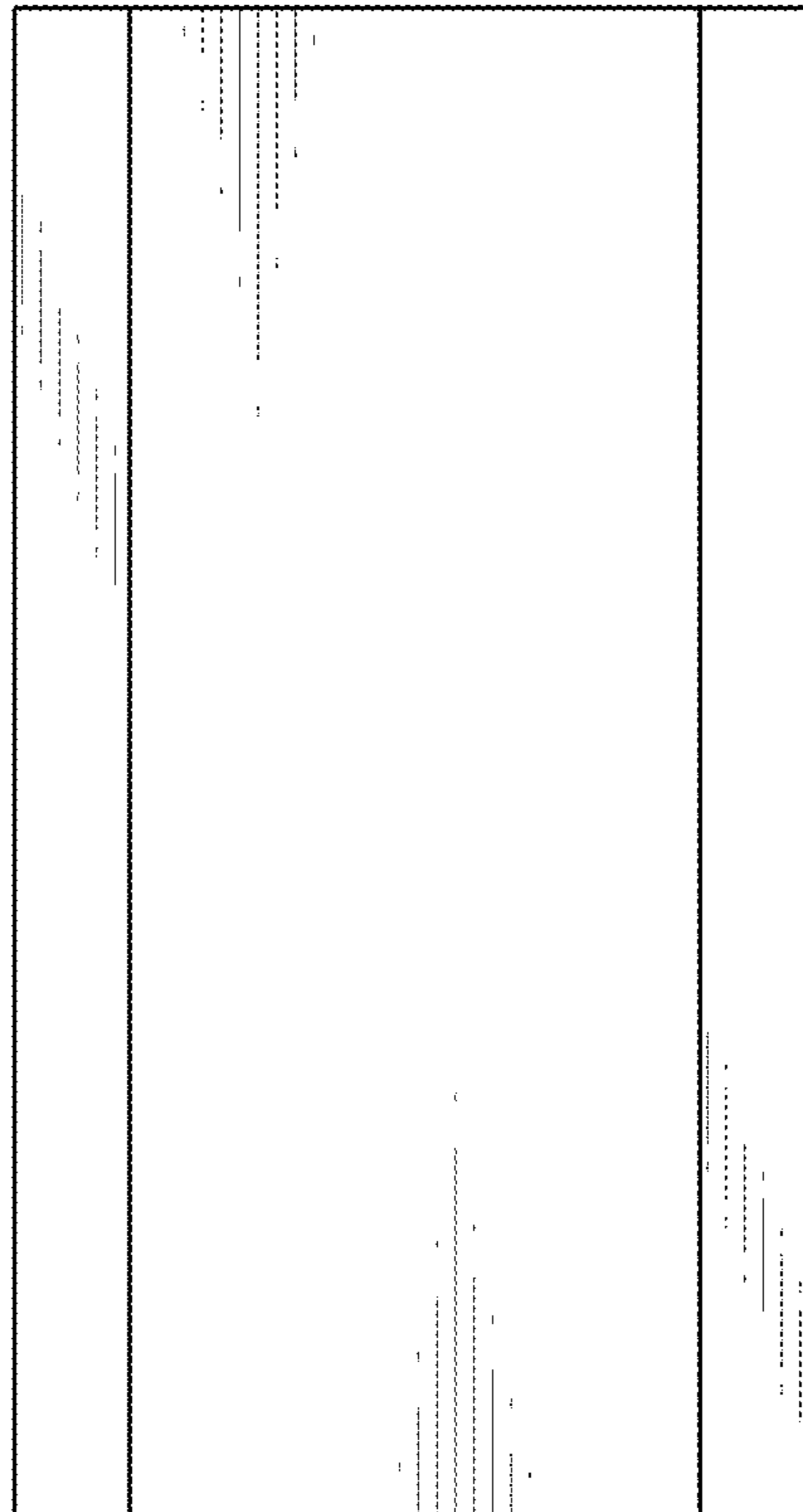


FIG. 7

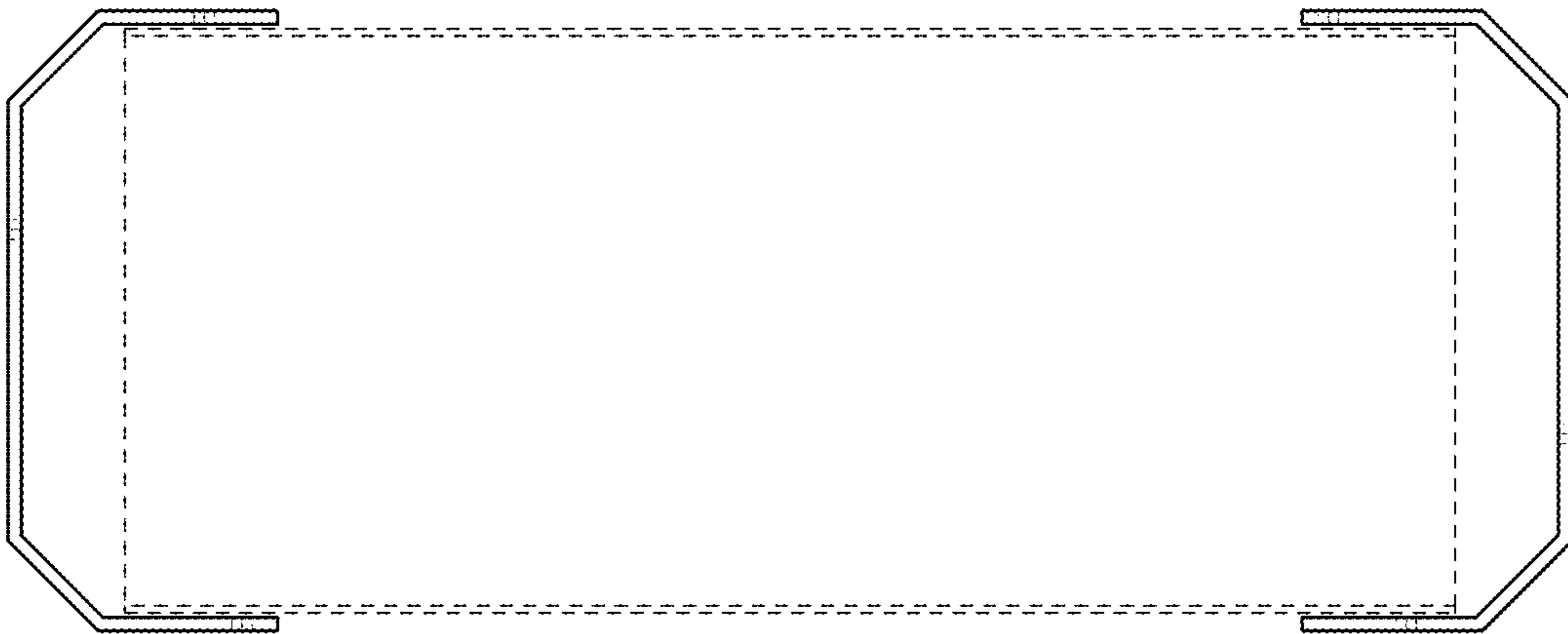


FIG. 8

