



US00D881730S

(12) **United States Design Patent**
Matsumoto et al.

(10) **Patent No.:** **US D881,730 S**

(45) **Date of Patent:** **** Apr. 21, 2020**

(54) **TESTING DEVICE**

(71) Applicant: **KOKUSAI KEISOKUKI
KABUSHIKI KAISHA**, Tokyo (JP)

(72) Inventors: **Sigeru Matsumoto**, Tama (JP); **Hiroshi
Miyashita**, Tama (JP); **Kazuyoshi
Tashiro**, Tama (JP); **Kazuhiro
Murauchi**, Tama (JP)

(**) Term: **15 Years**

(21) Appl. No.: **35/505,963**

(22) Filed: **May 2, 2018**

(80) **Hague Agreement Data**

Int. Filing Date: **May 2, 2018**

Int. Reg. No.: **DM/101681**

Int. Reg. Date: **May 2, 2018**

Int. Reg. Pub. Date: **Nov. 2, 2018**

(51) **LOC (12) Cl.** **10-04**

(52) **U.S. Cl.**

USPC **D10/82**

CPC **G01R 1/0416** (2013.01)

(58) **Field of Classification Search**

USPC D10/81, 836, 75, 65, 82; D15/199

CPC G01R 1/0416; G01R 1/0466; B01L 1/00

See application file for complete search history.

(56) **References Cited**

U.S. PATENT DOCUMENTS

7,629,533 B2 * 12/2009 Cole, Sr. B01L 1/00
174/17.07

D638,952 S * 5/2011 Oonuma D24/216

D712,447 S *	9/2014	He	D15/199
D787,695 S *	5/2017	Mottscheller	D24/216
D796,360 S *	9/2017	Schulz	D10/83
D801,202 S *	10/2017	Johnston	D10/81
D823,149 S *	7/2018	Schulze	D10/81
10,156,586 B2 *	12/2018	Adams	G01R 1/0466
D840,847 S *	2/2019	Doi	D10/65
10,209,272 B2 *	2/2019	Li	G01R 1/0416
D842,726 S *	3/2019	Weaver	D10/75
D847,676 S *	5/2019	Matsumiya	D10/83
D848,882 S *	5/2019	Matsumiya	D10/83
D848,883 S *	5/2019	Matsumiya	D10/83
D869,969 S *	12/2019	Matsumoto	D10/82

* cited by examiner

Primary Examiner — Richard E Chilcot

(57) **CLAIM**

The ornamental design for testing device, as shown and described.

DESCRIPTION

1. Testing device

1.1 : Front

1.2 : Back

1.3 : Top

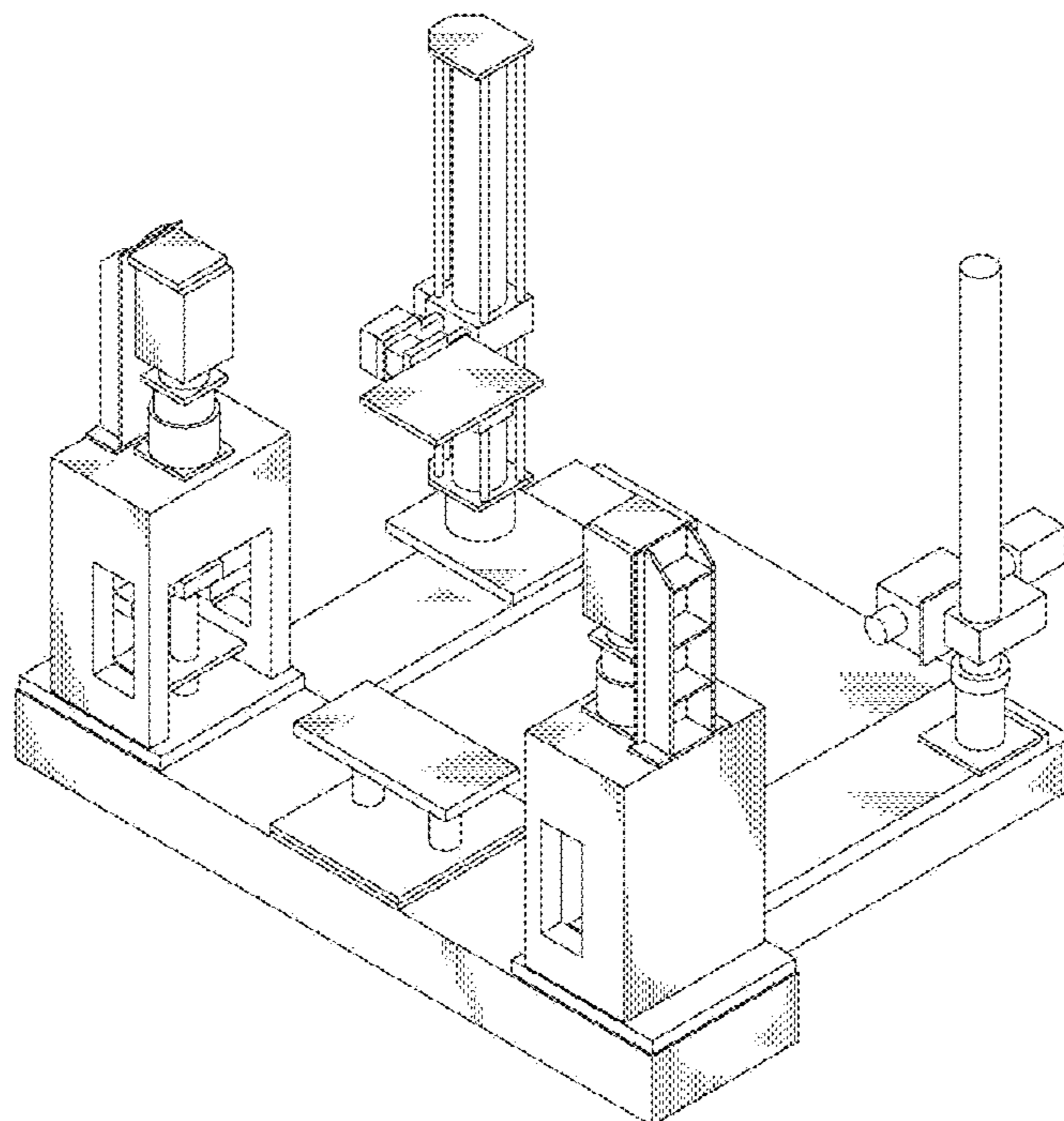
1.4 : Left

1.5 : Right

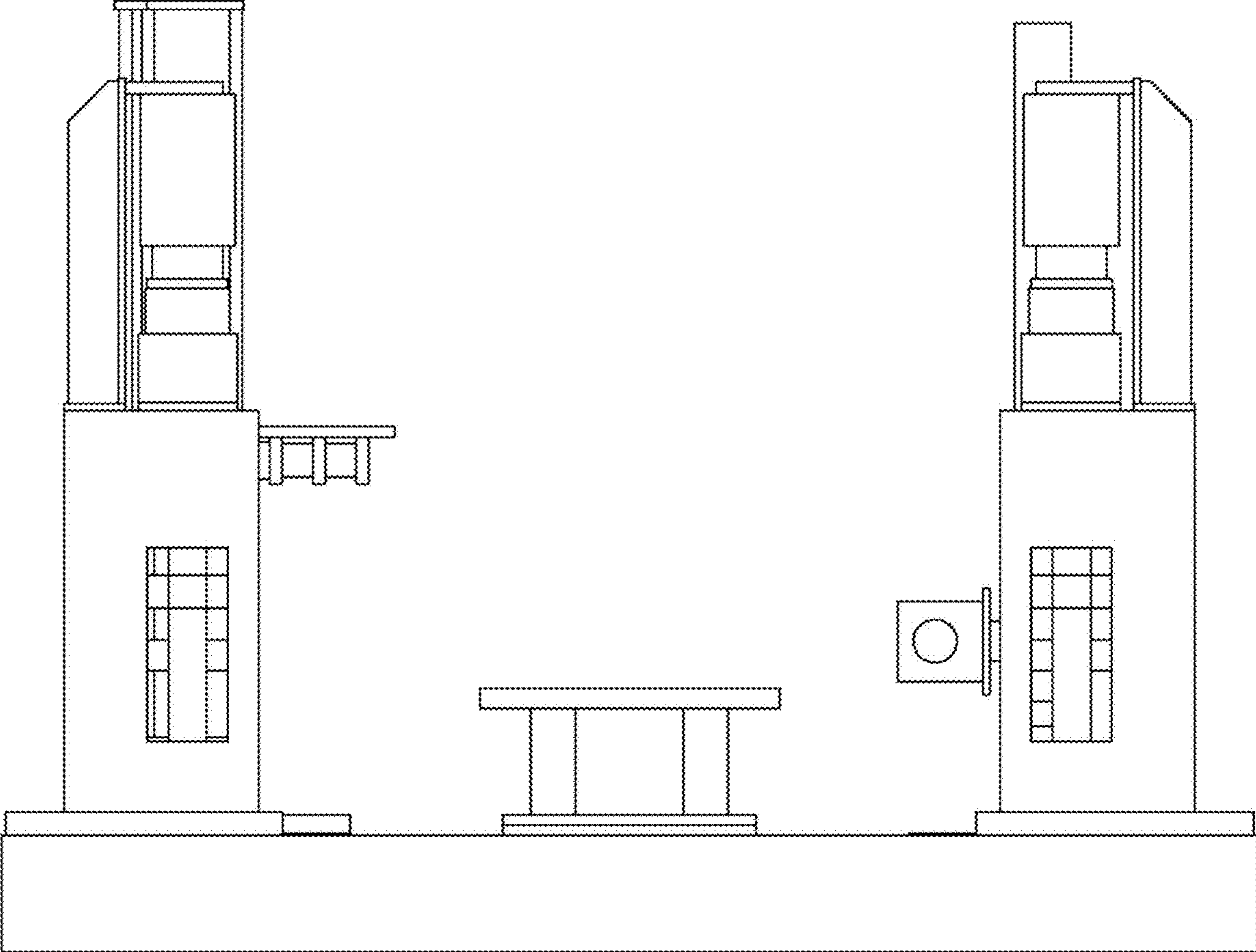
1.6 : Perspective view (front, top, right)

1.7 : Perspective view (back, top, left)

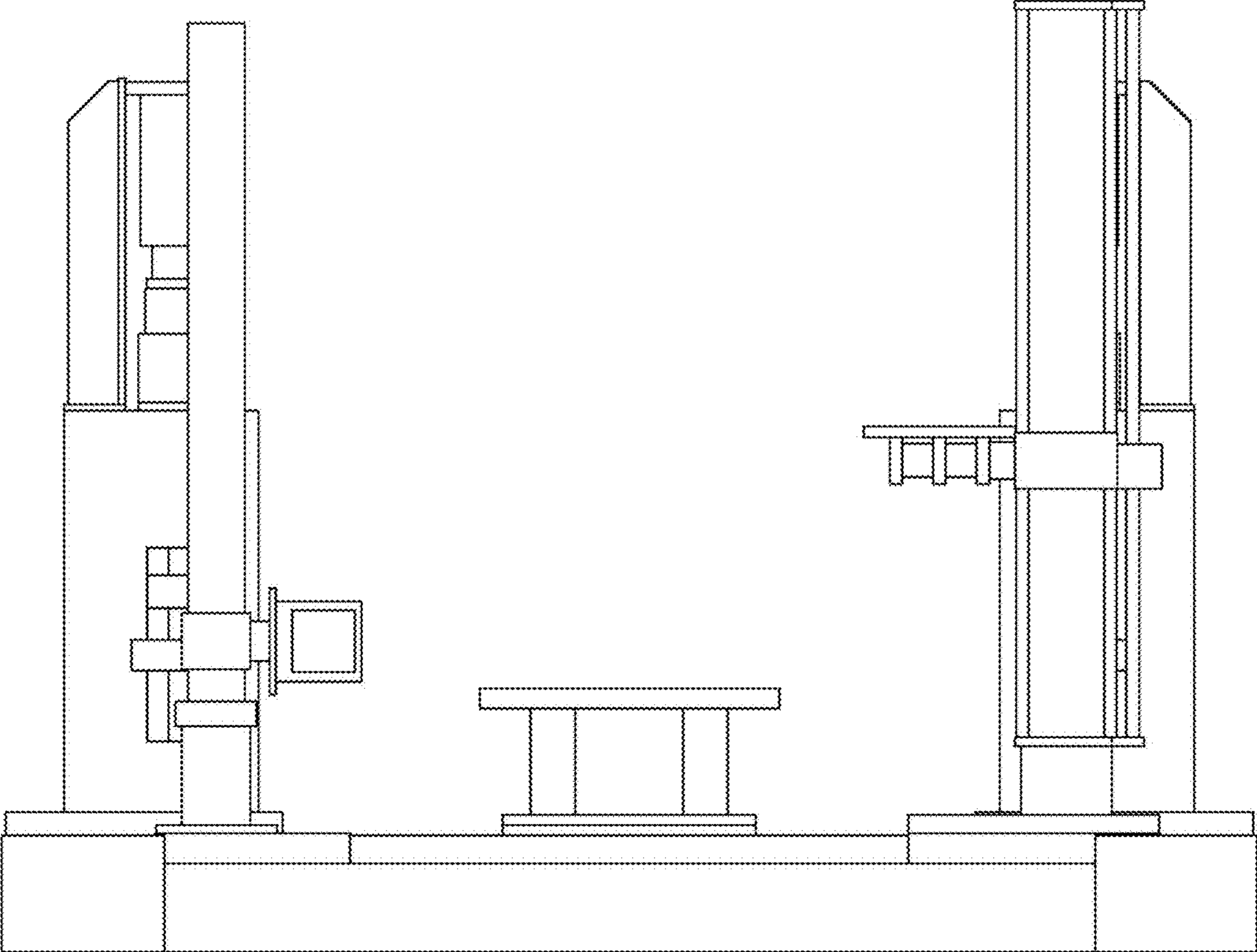
1 Claim, 7 Drawing Sheets



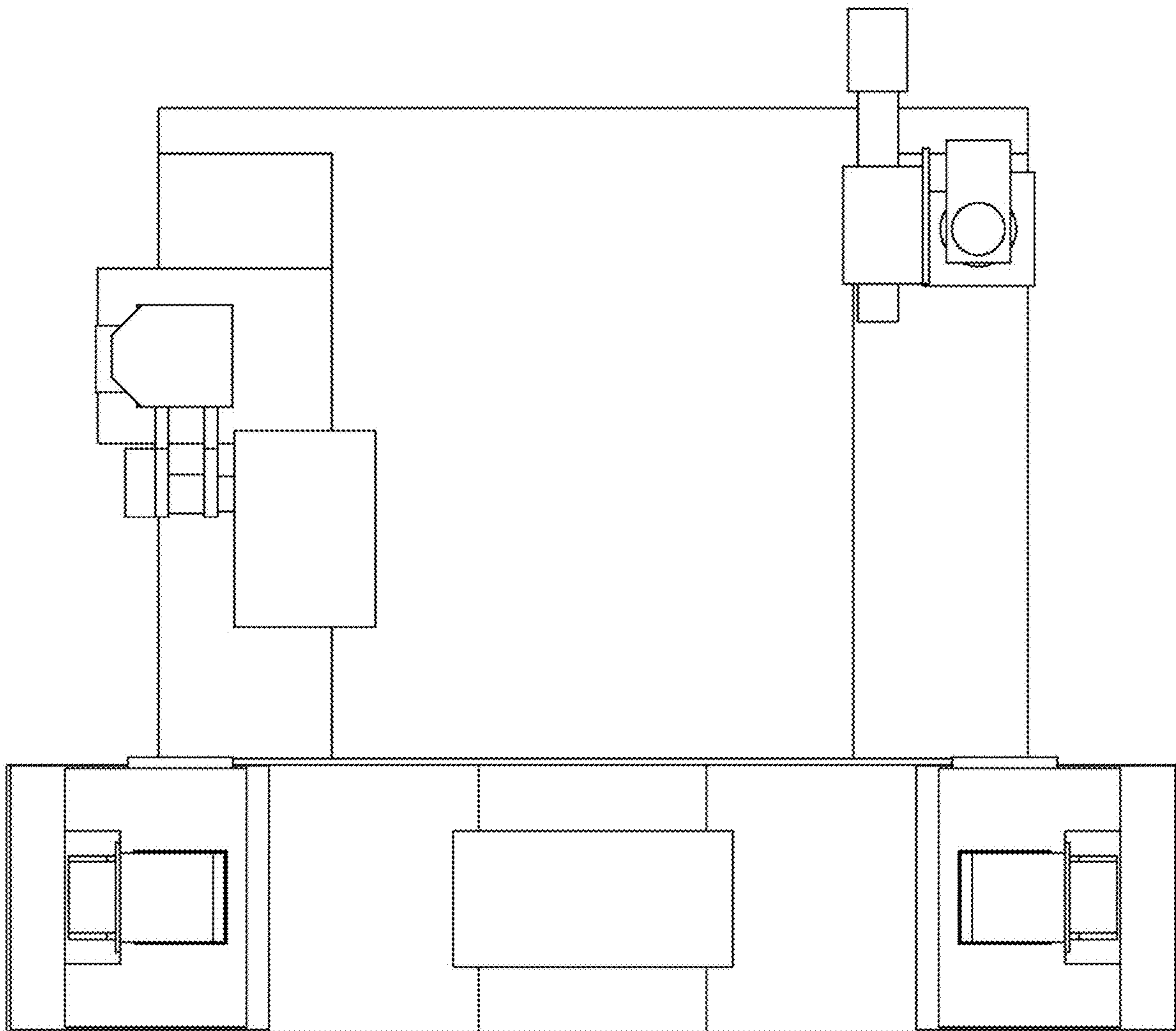
1.1



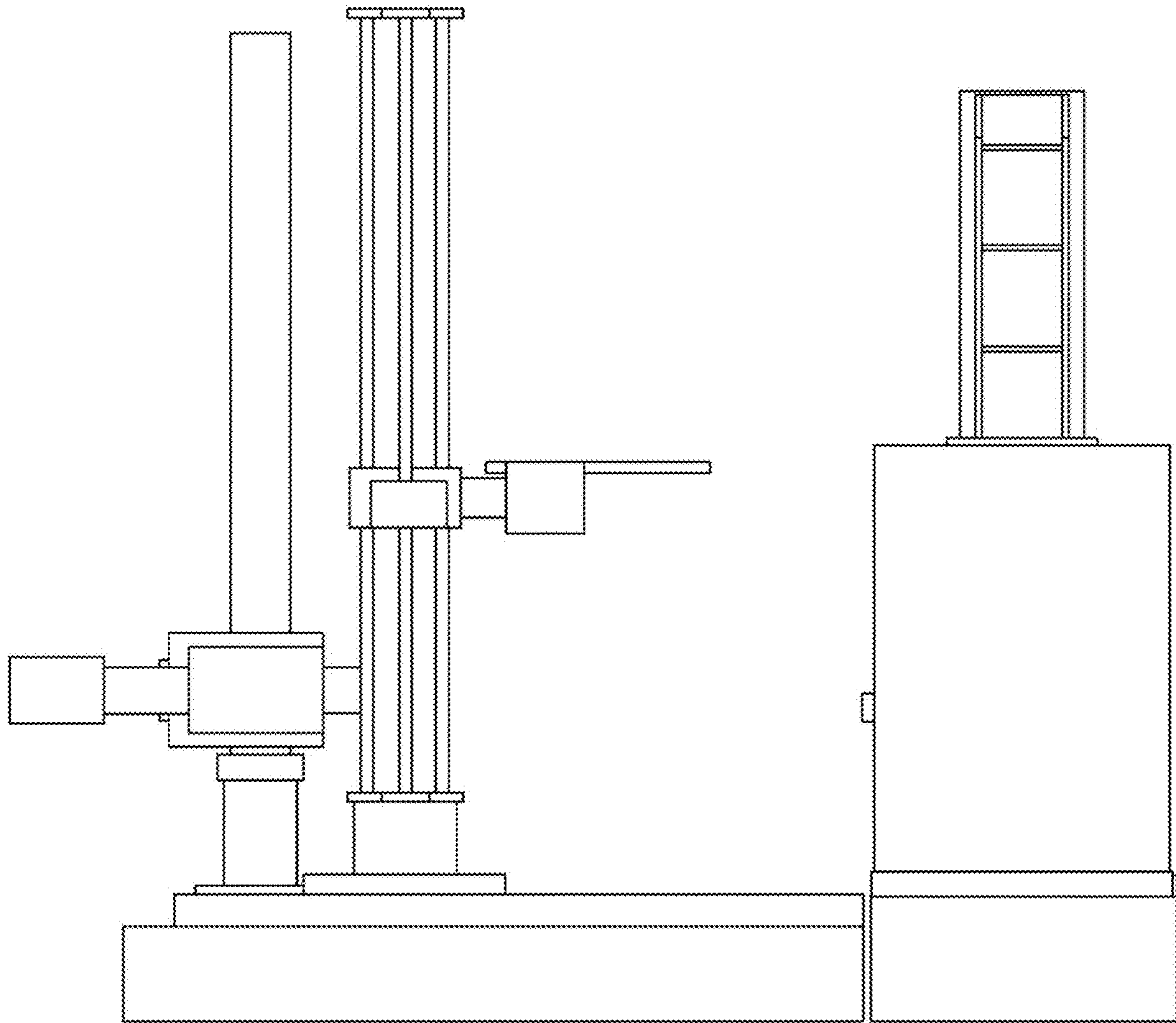
1.2



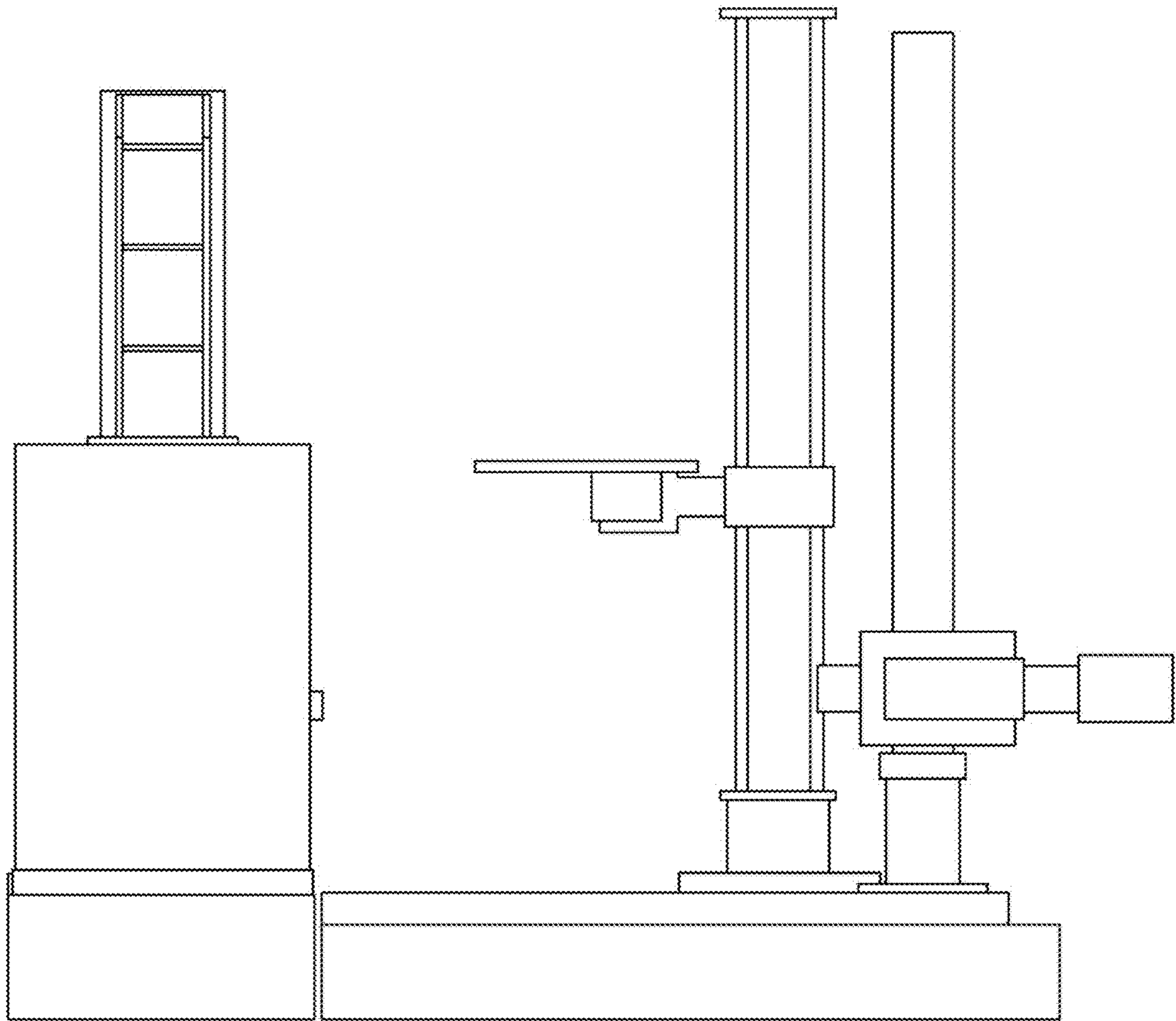
1.3



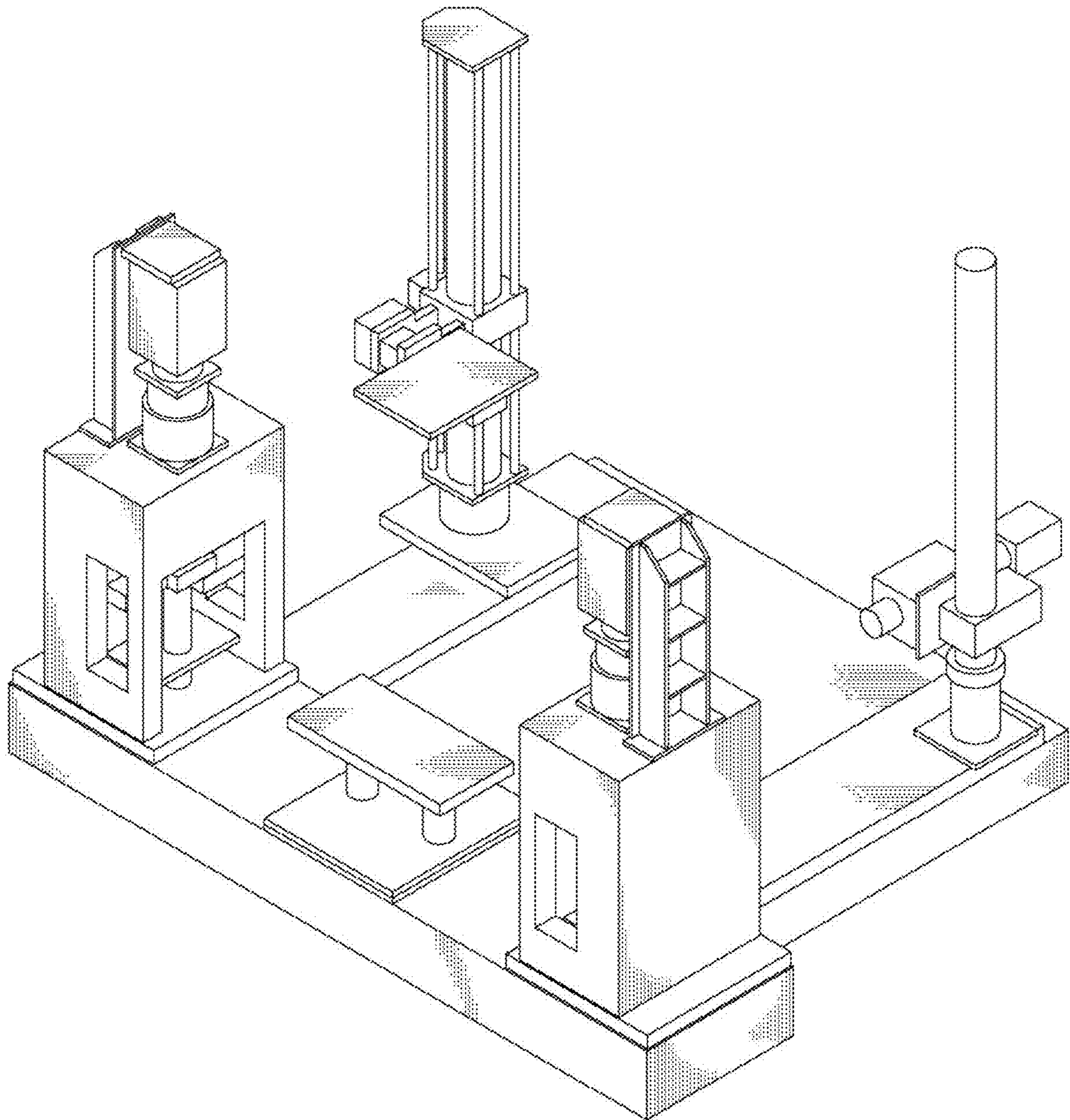
1.4



1.5



1.6



1.7

