



US00D881729S

(12) **United States Design Patent**
Wheaton et al.

(10) **Patent No.:** **US D881,729 S**
(45) **Date of Patent:** **** Apr. 21, 2020**

(54) **TRACKING DEVICE**

(71) Applicant: **Tile, Inc.**, San Mateo, CA (US)

(72) Inventors: **Christopher Sean Wheaton**, San Francisco, CA (US); **Cole Justin Derby**, East Palo Alto, CA (US); **Matthew Edward Kramer**, Los Gatos, CA (US); **Michael George Farley**, Foster City, CA (US)

(73) Assignee: **Tile, Inc.**, San Mateo, CA (US)

(**) Term: **15 Years**

(21) Appl. No.: **29/706,982**

(22) Filed: **Sep. 25, 2019**

Related U.S. Application Data

(62) Division of application No. 29/656,288, filed on Jul. 11, 2018, now Pat. No. Des. 866,370.

(51) **LOC (12) Cl.** **10-04**

(52) **U.S. Cl.**
USPC **D10/70; D10/104.2**

(58) **Field of Classification Search**

USPC D10/70, 104.2, 106.92, 106.94
CPC .. G08B 13/2437; G08B 13/128; G08B 13/14;
G08B 13/1427; G08B 13/1409; G08B
13/1436; G08B 13/1445; G08B 13/1463;
G08B 13/1472; G08B 13/1481; G08B
13/149; G08B 13/2428; G08B 13/2434;
G08B 21/24; G09F 3/18; G09F 3/185;
G09F 3/20; G09F 3/201; G09F 3/202;
G09F 3/203; G09F 3/204; G09F 3/205;
G09F 3/206; G09F 3/207; G09F 3/208;
G09F 3/005; A41D 1/02; A44C 5/0015;
A44C 5/02; A44C 5/14; A61B 19/44;
A61B 2019/446; A61B 71/00; A61B
5/02416; A61B 5/1118; A61B 2/721;
A61B 5/002; A61B 5/112; A61B 5/1122;
A61B 5/746; A61B 5/6823; A61B 5/72;
A61B 5/7445; A61B 5/0022; A61B

5/14532; A63B 71/06; A63B 26/00; A63B
24/0075; A63B 2071/0663; A63B
71/0686; A63B 24/0062; A63B 24/0084;
A63B 2024/0068; A63B 2024/0078;
A63B 2024/0056; A63B 2071/0625;
A63B 2071/003; A63B 2071/063; A63B
2071/065; A63B 2071/068; A63B
2071/0675; A63B 2220/40; A63B
2220/803; A63B 2220/12;

(Continued)

(56) **References Cited**

U.S. PATENT DOCUMENTS

D723,957 S * 3/2015 Evans D10/70
9,134,768 B2 * 9/2015 Yoon G06F 1/1626

(Continued)

Primary Examiner — Antoine Duval Davis

(74) *Attorney, Agent, or Firm* — Fenwick & West LLP

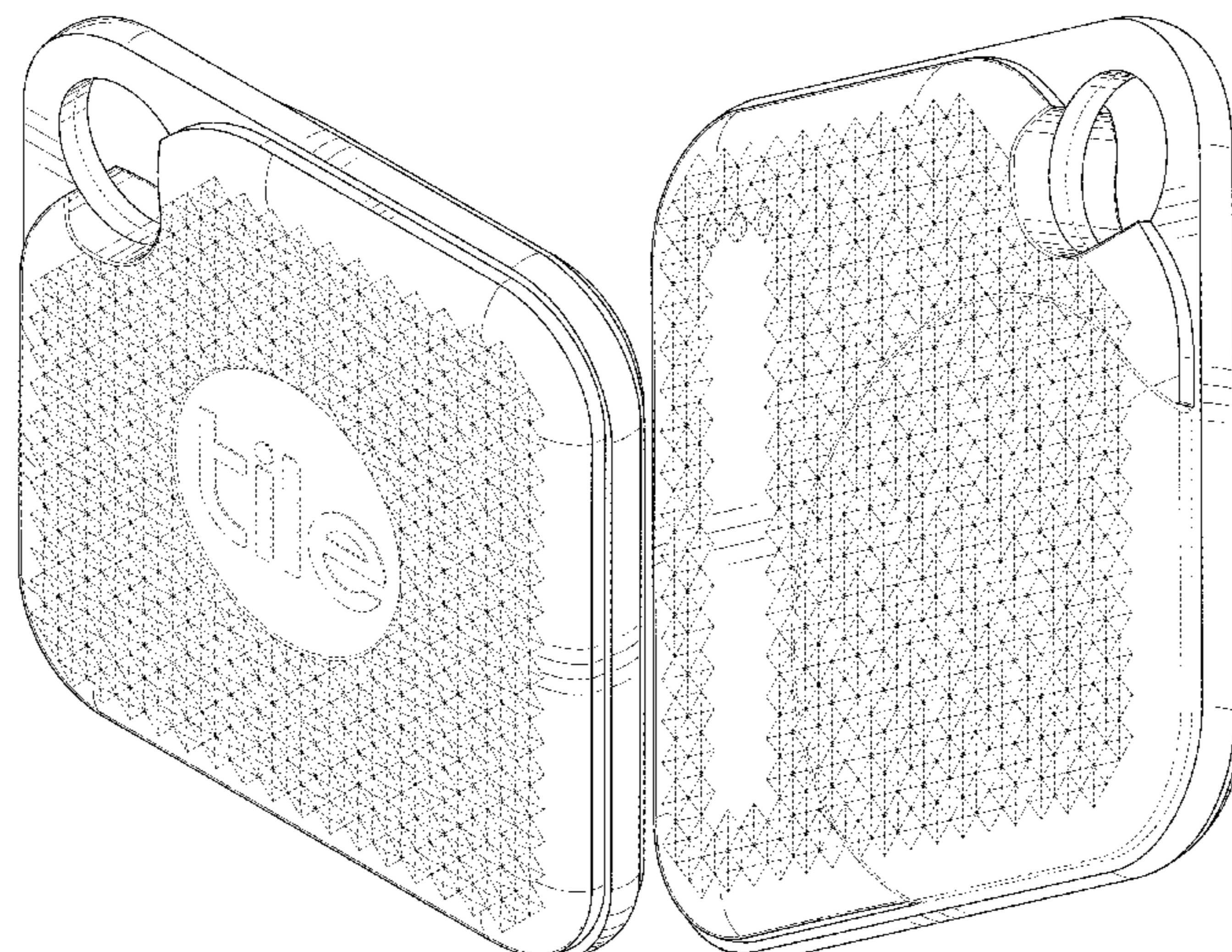
(57) **CLAIM**

The ornamental design for a tracking device, as shown and described.

DESCRIPTION

FIG. 1 is a top, front, and right side perspective view of a tracking device;
FIG. 2 is a bottom, rear, and left side perspective view thereof;
FIG. 3 is a front elevational view thereof;
FIG. 4 is a rear elevational view thereof;
FIG. 5 is a left side elevational view thereof;
FIG. 6 is a right side elevational view thereof;
FIG. 7 is a top plan view thereof; and,
FIG. 8 is a bottom plan view thereof.
The broken lines in the drawings showing portions of the tracking device are included for the purpose of illustrating environmental structure and form no part of the claimed design.

1 Claim, 8 Drawing Sheets



(58) **Field of Classification Search**

CPC A63B 2220/20; A63B 2220/22; A63B
2220/30; A63B 2225/50; A63B 2225/02;
A63B 2225/06; A63B 2230/75; A63B
2024/0065; A63B 2024/0081; A63B
2220/51; A63B 2220/62; A63B 2220/836;
G06F 1/163; G06F 3/038; G06F 3/03547;
G06F 10/00; G04G 17/00; G04G 17/08;
G04G 21/00; G04G 21/08; G04G 17/04;
G04G 21/02; G04B 37/1486; G06Q
10/00; G06Q 50/00; G09B 9/00; G09B
19/00; G04F 10/00

See application file for complete search history.

(56) **References Cited**

U.S. PATENT DOCUMENTS

9,183,719 B2 * 11/2015 Gouge A61B 5/01
D748,507 S 2/2016 Evans et al.
D790,996 S 7/2017 Farley et al.
D817,198 S 5/2018 Farley et al.
D837,073 S 1/2019 Behar et al.
D837,671 S 1/2019 Behar et al.
D856,174 S * 8/2019 Behar D10/70
D859,187 S * 9/2019 Behar D10/70
D866,370 S * 11/2019 Wheaton A61B 5/01
D10/70
D866,371 S * 11/2019 Wheaton G06F 1/1626
D10/70

* cited by examiner

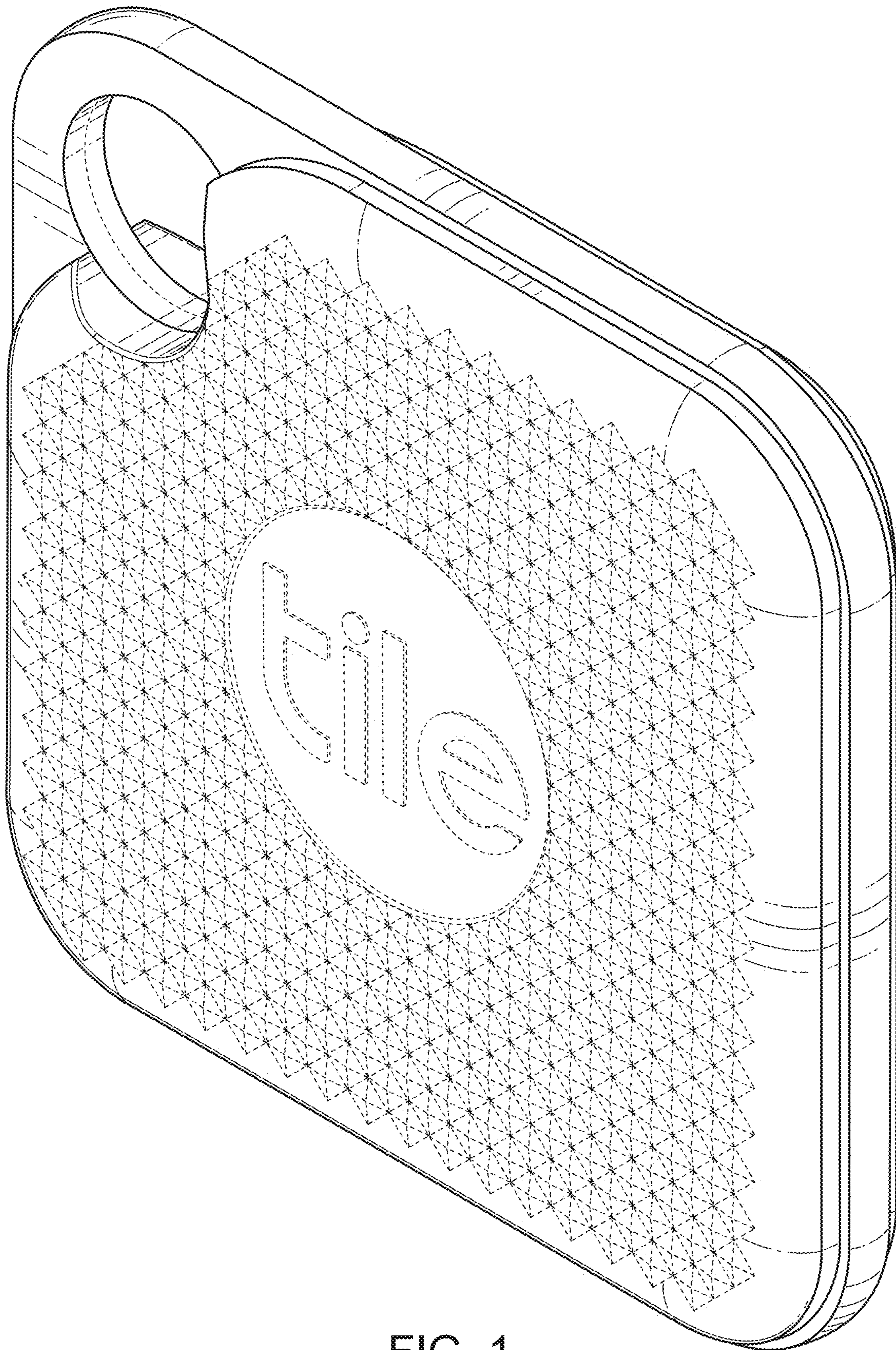


FIG. 1

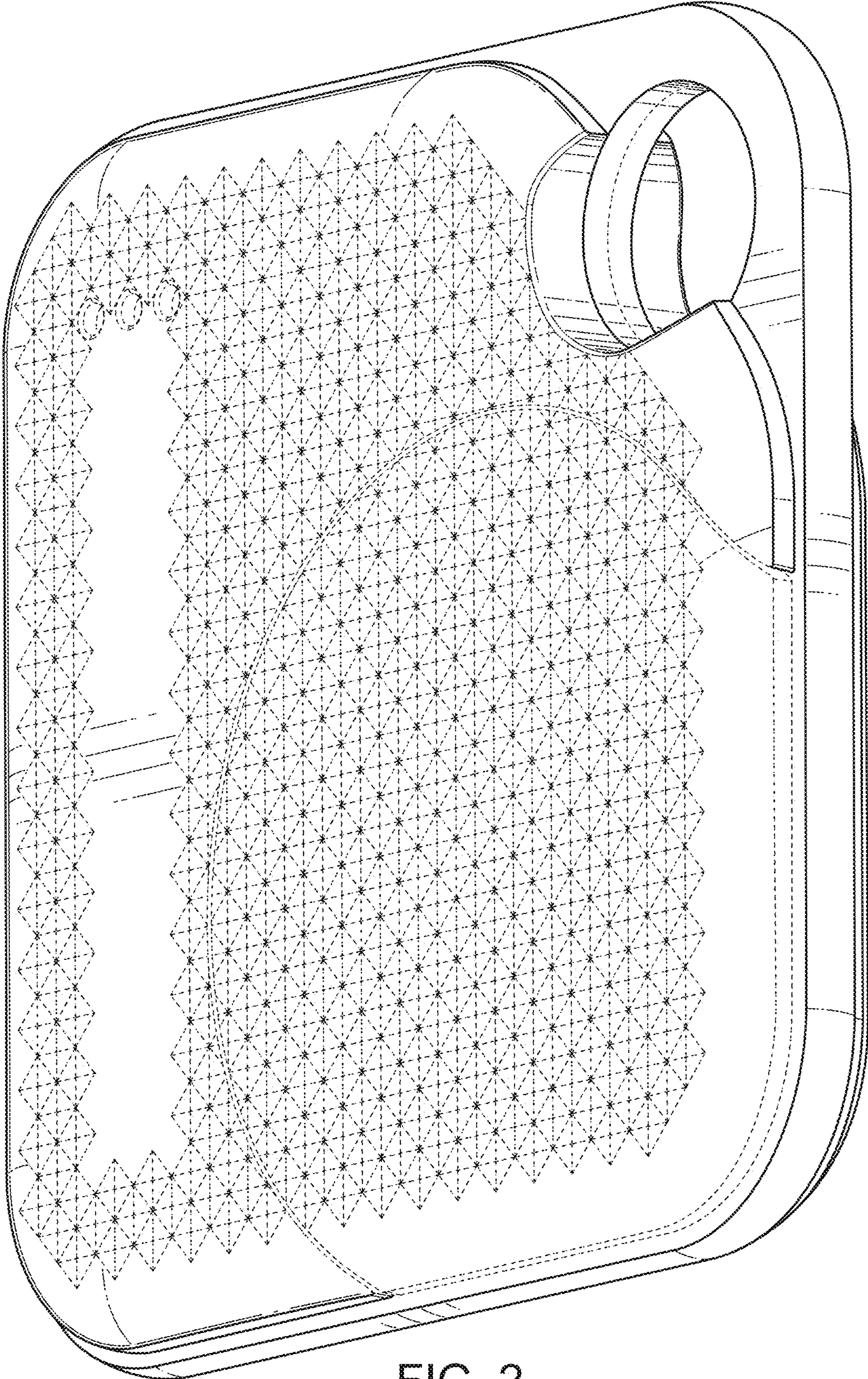


FIG. 2

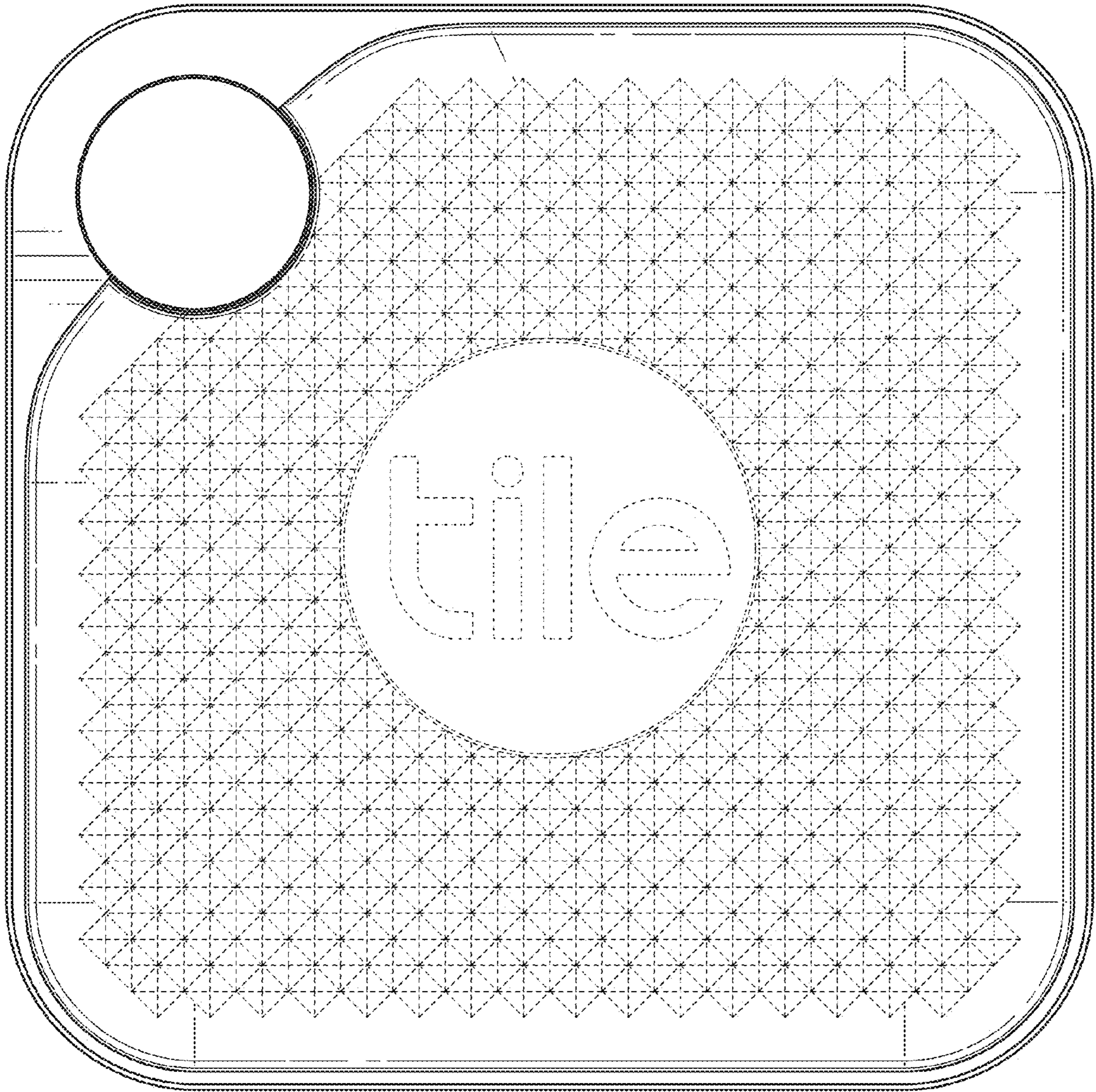


FIG. 3

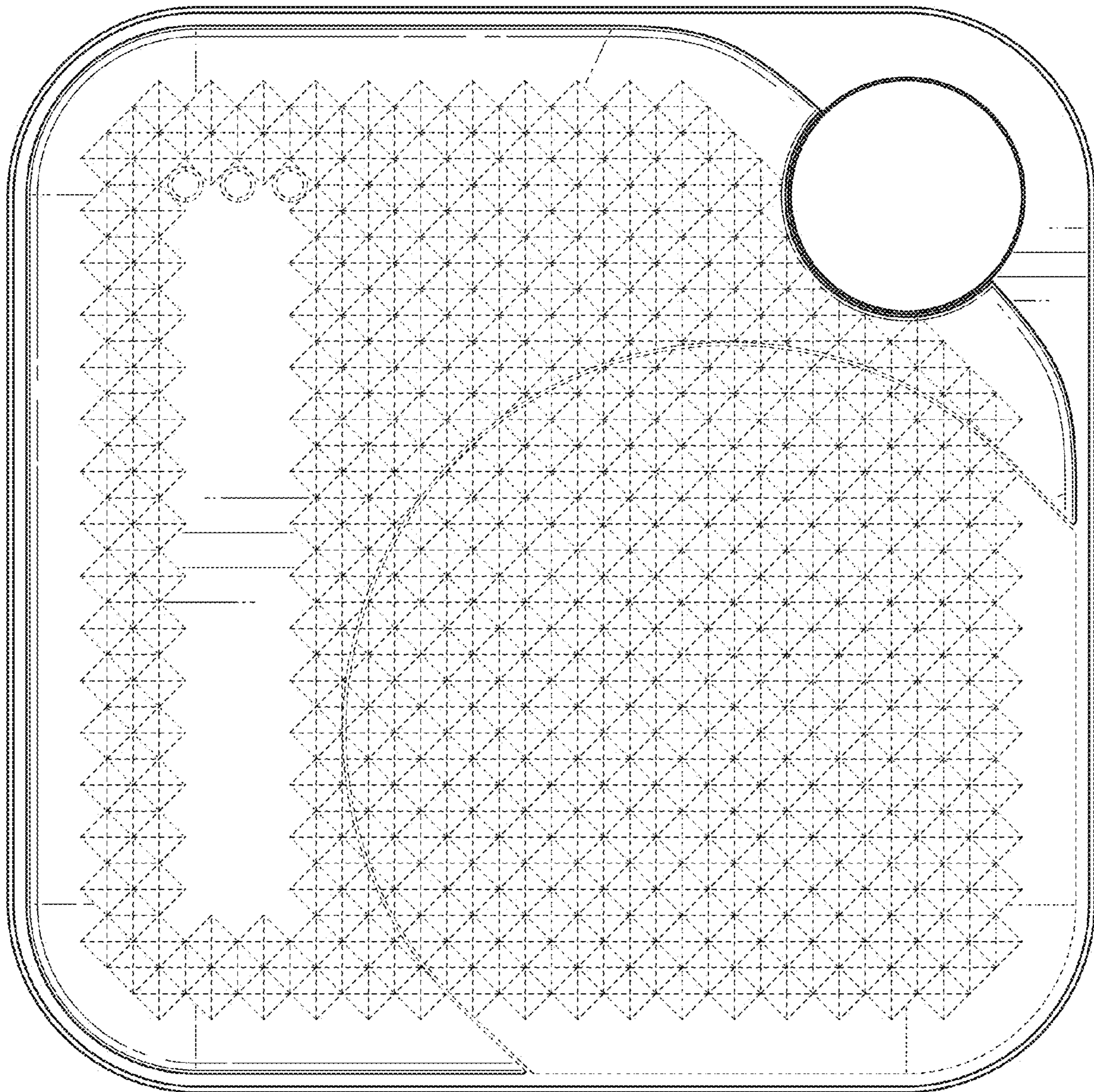


FIG. 4

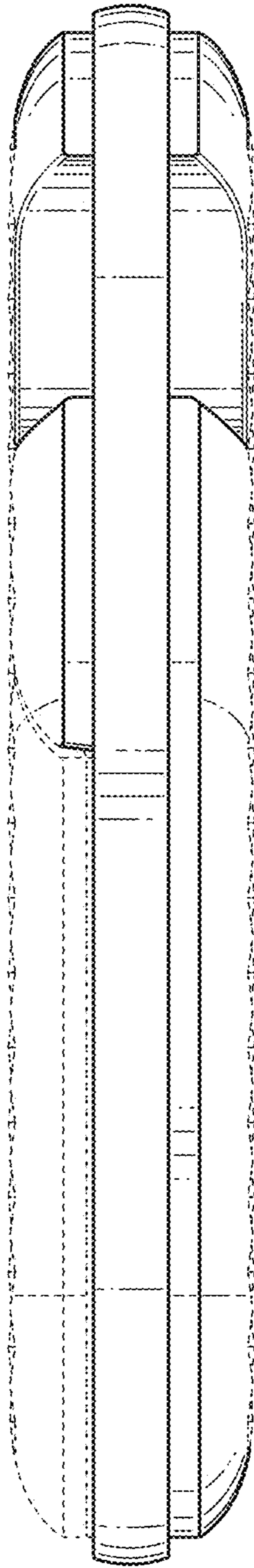


FIG. 5

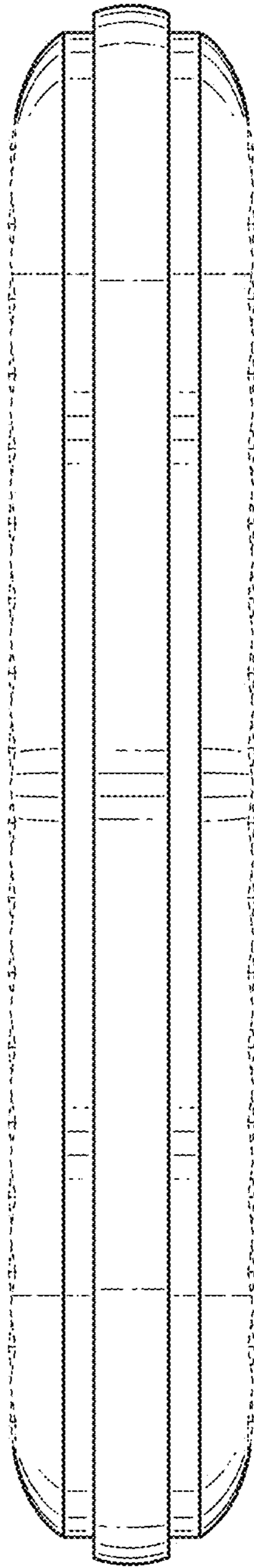


FIG. 6

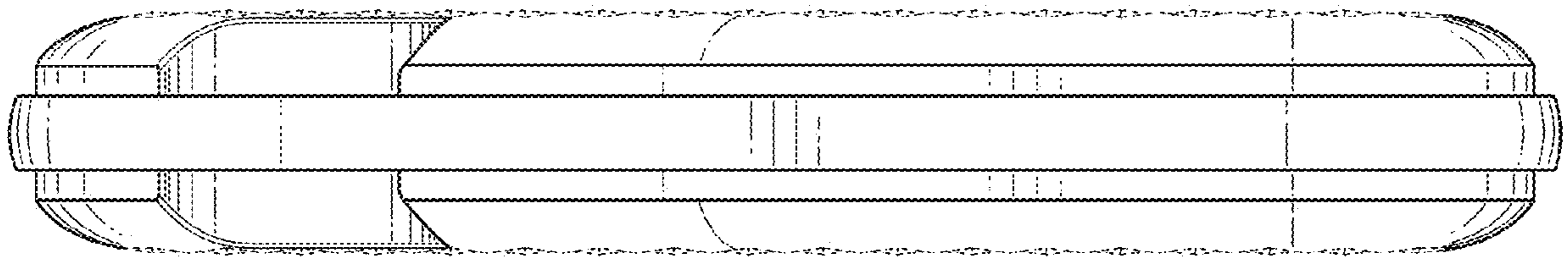


FIG. 7

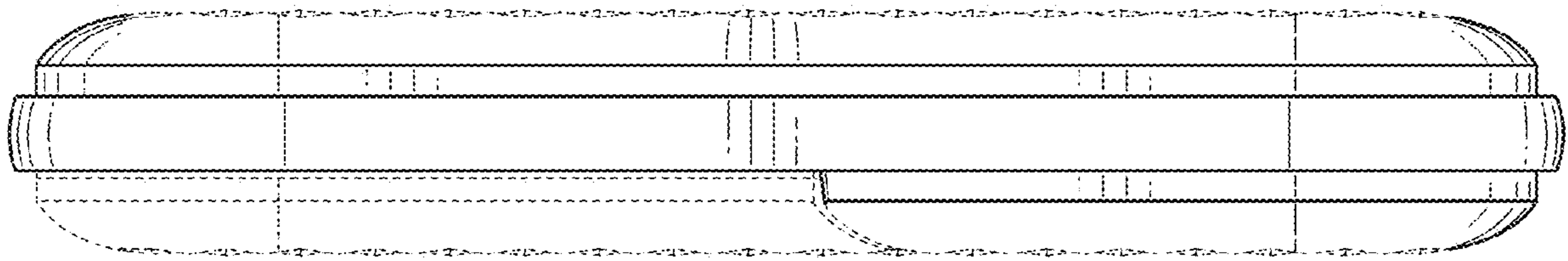


FIG. 8