



US00D881727S

(12) **United States Design Patent**
Deng

(10) **Patent No.:** **US D881,727 S**
(45) **Date of Patent:** **** Apr. 21, 2020**

- (54) **DETECTOR FOR METAL**
- (71) Applicant: **Shanghai Tianxun Electronic Equipment Co., Ltd, Shanghai (CN)**
- (72) Inventor: **Junhong Deng, Shanghai (CN)**
- (**) Term: **15 Years**
- (21) Appl. No.: **29/716,598**
- (22) Filed: **Dec. 11, 2019**
- (51) **LOC (12) Cl.** **10-04**
- (52) **U.S. Cl.**
USPC **D10/47**
- (58) **Field of Classification Search**
USPC D10/47
CPC ... G01V 3/00; G01V 3/02; G01V 3/04; G01V 3/06; G01V 3/08; G01V 3/081; G01V 3/082; G01V 3/083; G01V 2003/084; G01V 2003/085; G01V 2003/086; G01V 3/087; G01V 3/088; G01V 3/10; G01V 3/101; G01V 3/102; G01V 3/104; G01V 3/105; G01V 3/107; G01V 3/108; G01V 3/12; G01V 3/14; G01V 3/15; G01V 3/16; G01V 3/165; G01V 3/17; G01V 3/175; G01V 3/18; G01V 3/20; G01V 3/22; G01V 3/24; G01V 3/26; G01V 3/265; G01V 3/28; G01V 3/30; G01V 3/32; G01V 3/34; G01V 3/36; G01V 3/38; G01V 3/40

See application file for complete search history.

(56) **References Cited**

U.S. PATENT DOCUMENTS

- D486,080 S * 2/2004 Hu G01S 13/885
D10/47
- D533,792 S * 12/2006 Johnson G01V 3/15
D10/47

- 8,842,035 B2 * 9/2014 Duvoisin, III G01S 13/885
342/22
- 9,021,661 B2 * 5/2015 Andel G01V 3/15
16/429
- D756,247 S * 5/2016 Pollock G01S 13/878
D10/47
- 9,664,809 B2 * 5/2017 Fry G01V 3/104
- 9,733,353 B1 * 8/2017 Carlson G01S 13/878
- 9,864,089 B2 * 1/2018 Andel F41H 11/136
- D844,462 S * 4/2019 Griffin D10/47
- D846,411 S * 4/2019 Zhang F41H 11/136
D10/47
- D867,170 S * 11/2019 Deng D10/47

* cited by examiner

Primary Examiner — Antoine Duval Davis

(74) *Attorney, Agent, or Firm* — Jie Yang; ZANIP

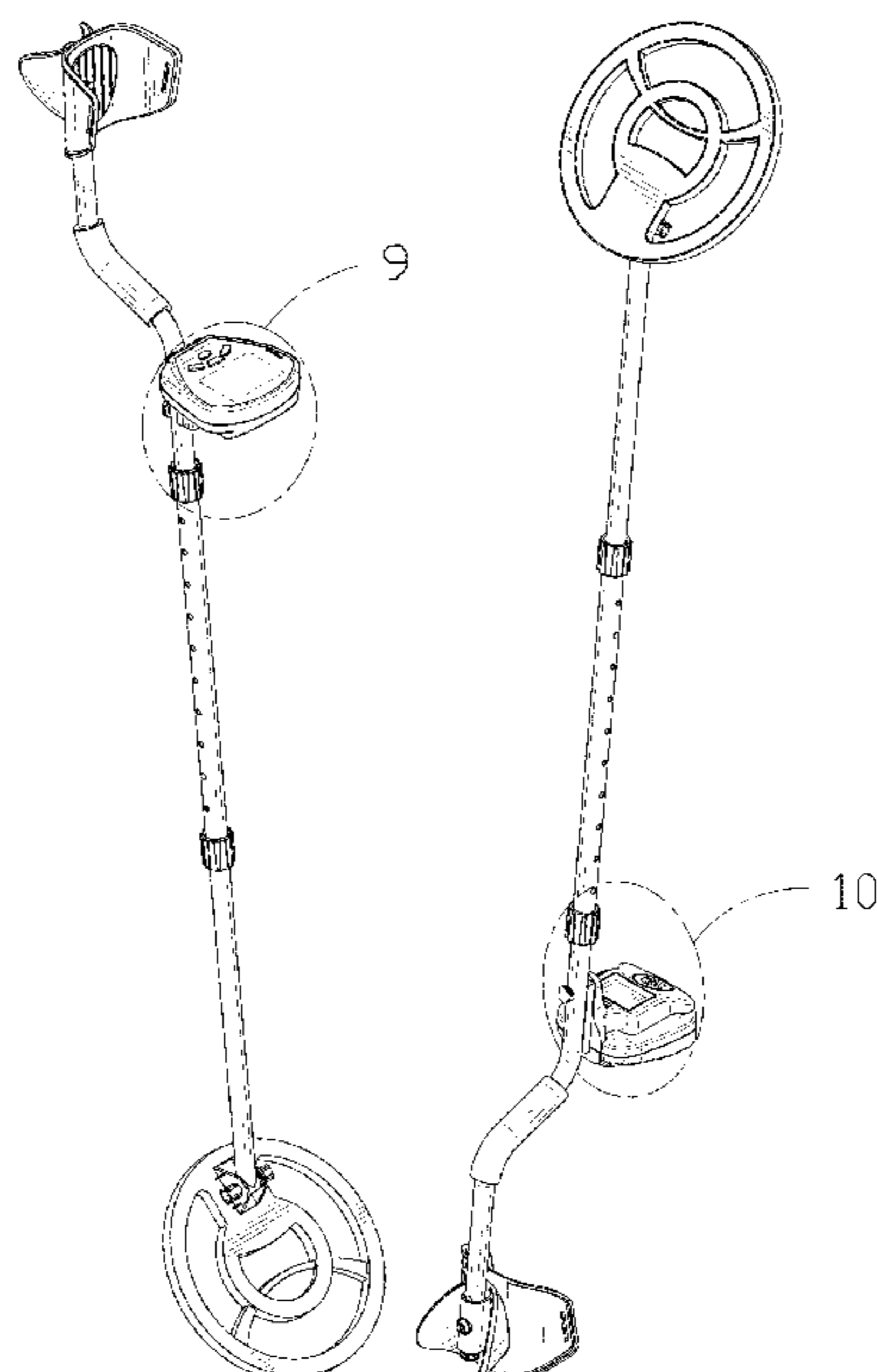
(57) **CLAIM**

The ornamental design for a detector for metal, as shown and described.

DESCRIPTION

FIG. 1 is a front and top perspective view of a detector for metal, showing my new design;
 FIG. 2 is a rear and bottom perspective view thereof;
 FIG. 3 is a front elevational view thereof;
 FIG. 4 is a rear elevational view thereof;
 FIG. 5 is a left side elevational view thereof;
 FIG. 6 is a right side elevational view thereof;
 FIG. 7 is an enlarged top plan view thereof;
 FIG. 8 is an enlarged bottom plan view thereof;
 FIG. 9 is an enlarged view of a portion indicated, in FIG. 1; and,
 FIG. 10 is an enlarged view of a portion indicated in FIG. 2.
 The broken lines in the figures illustrate portions of the detector for metal that form no part of the claimed design.

1 Claim, 10 Drawing Sheets



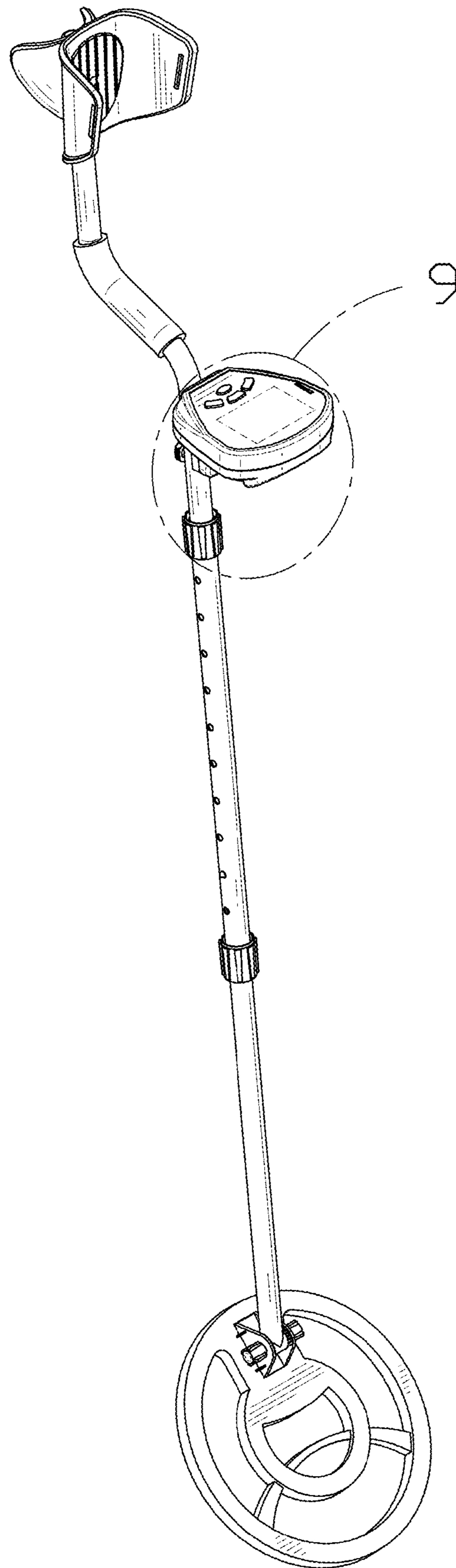


FIG. 1

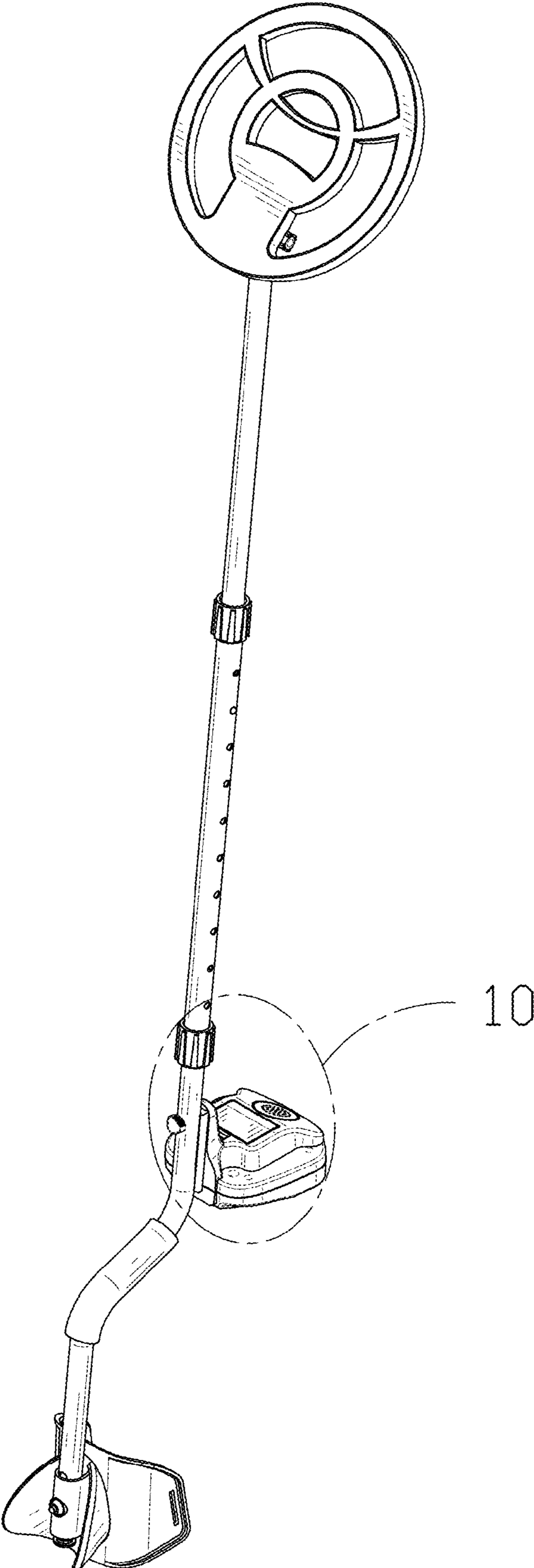


FIG. 2

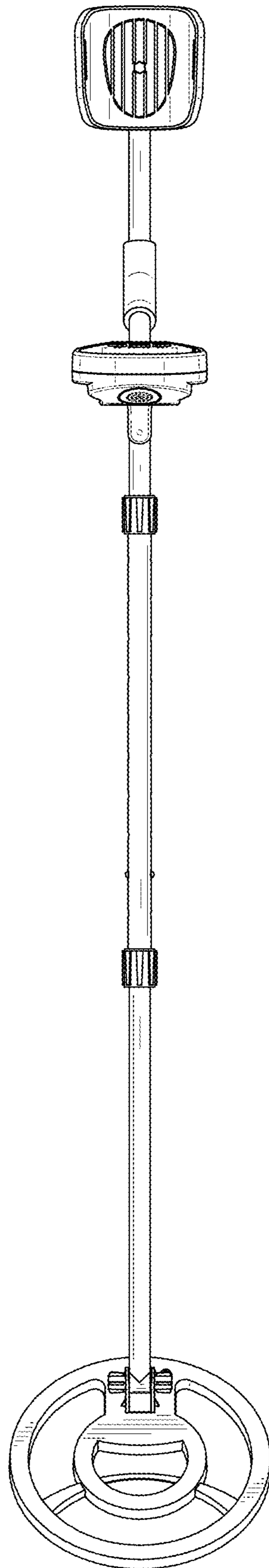


FIG. 3

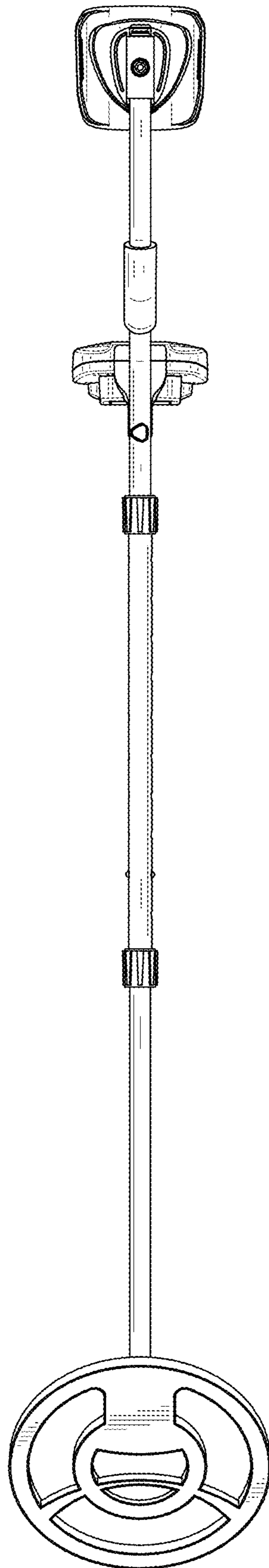


FIG. 4

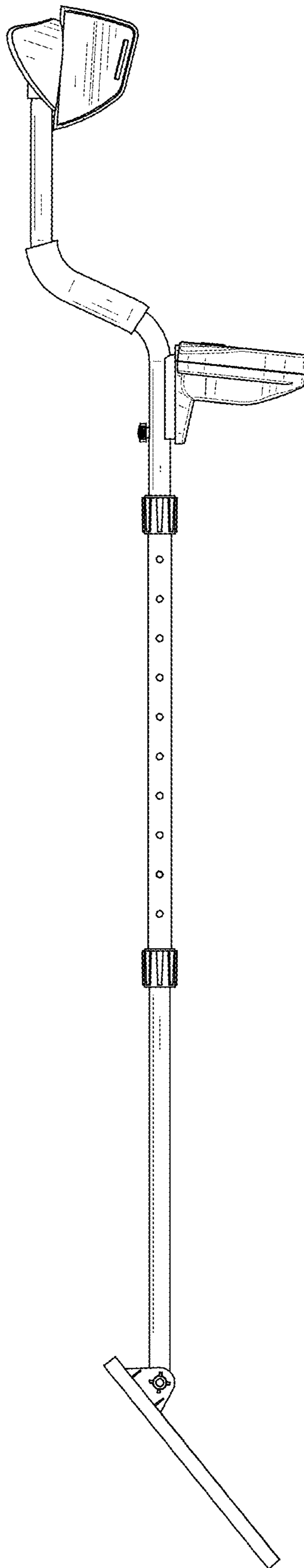


FIG. 5

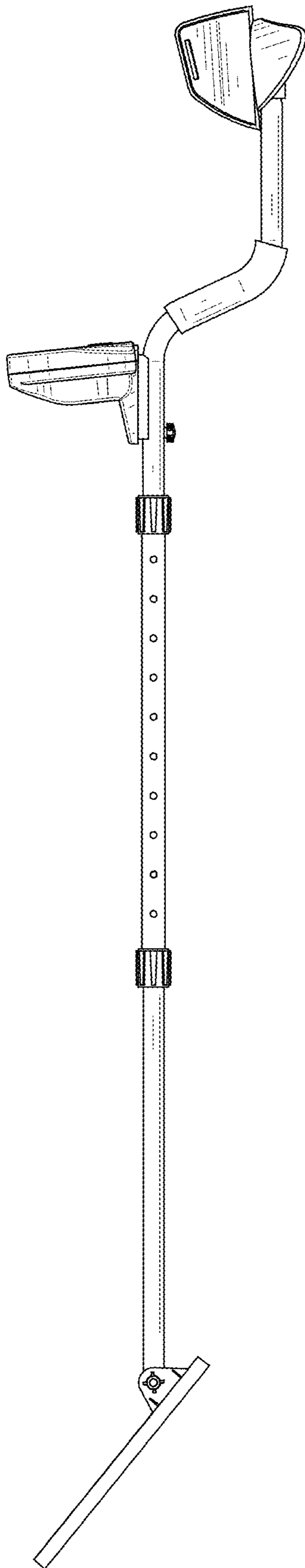


FIG. 6

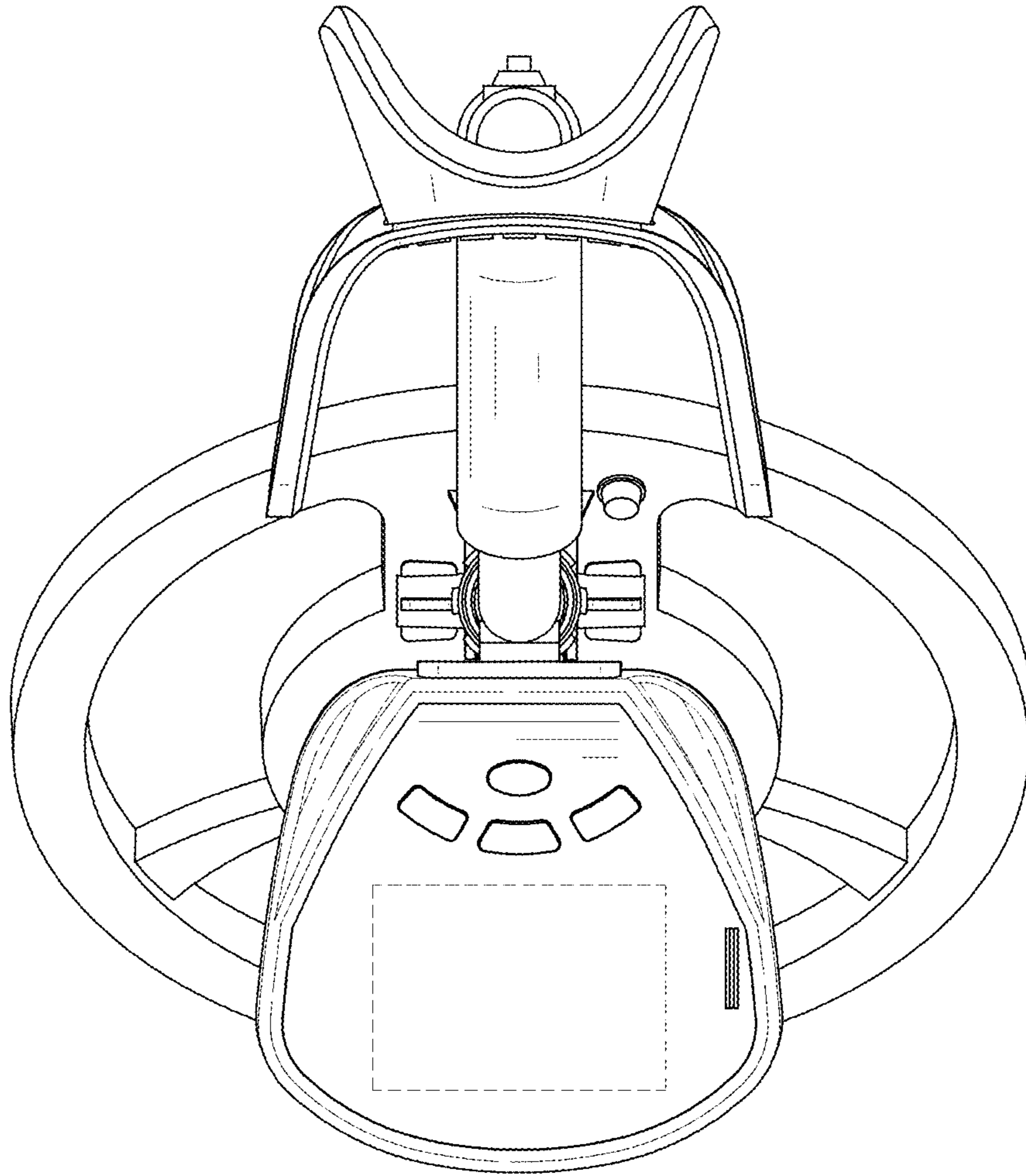


FIG. 7

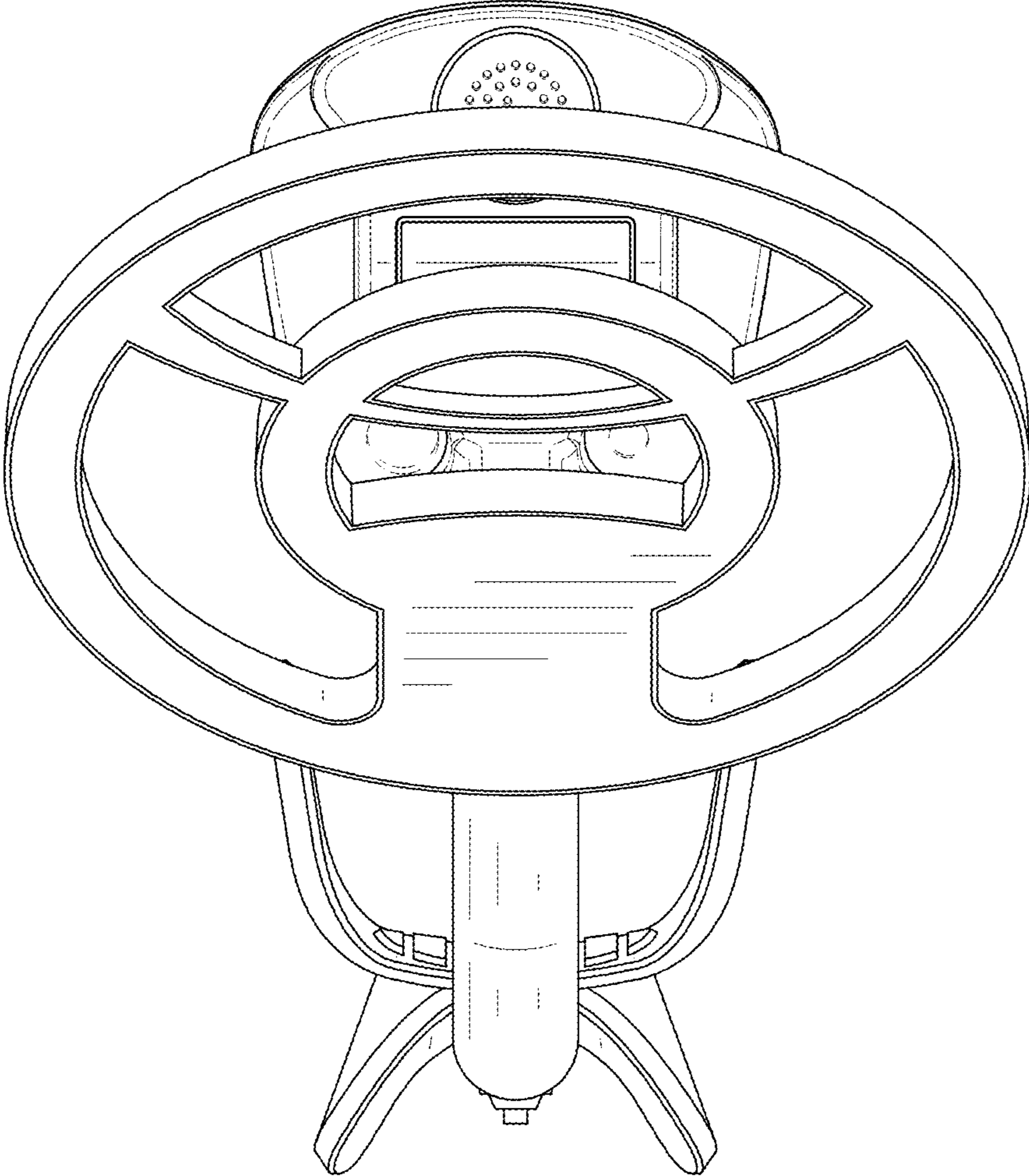


FIG. 8

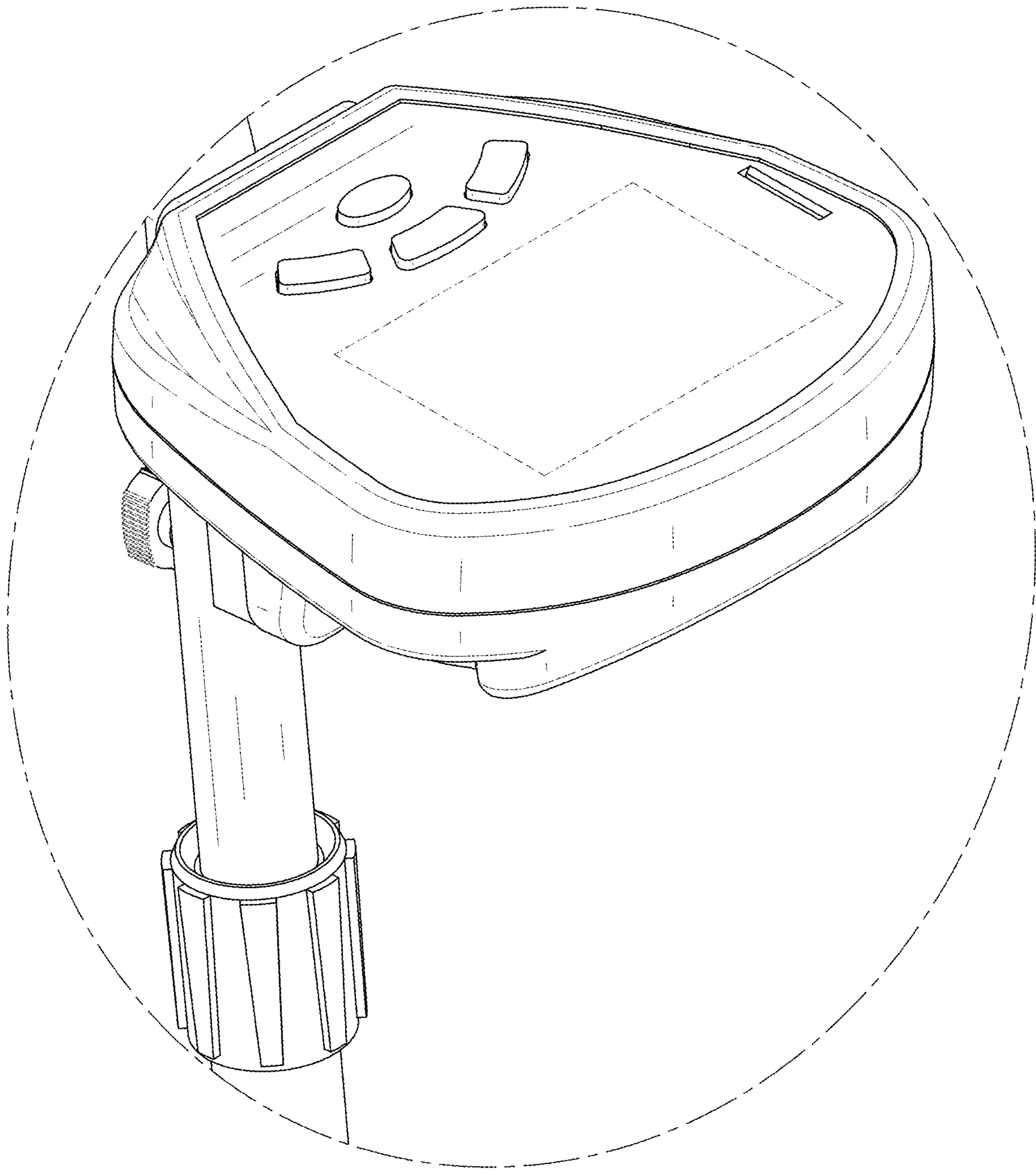


FIG. 9

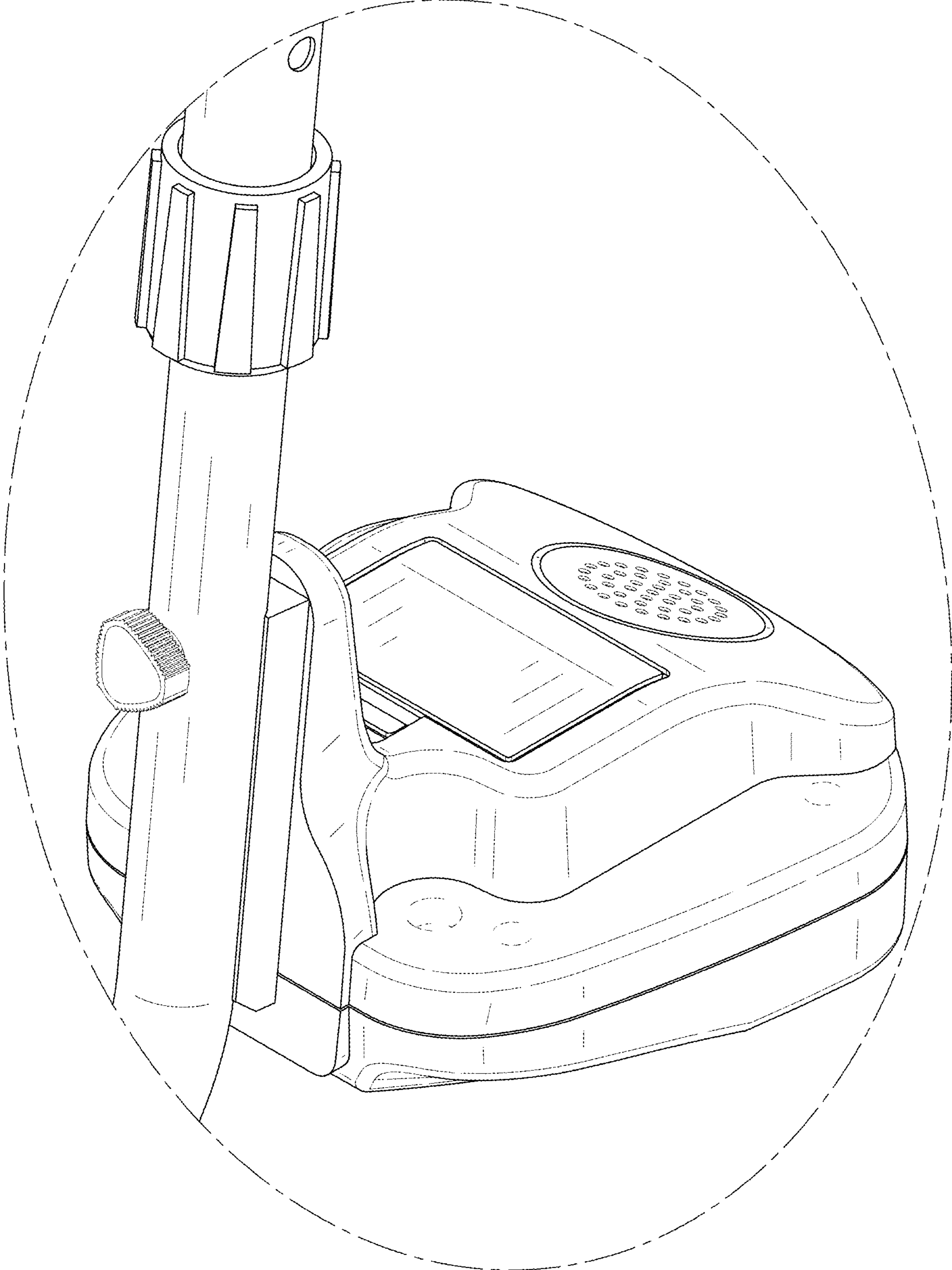


FIG. 10