



US00D881724S

(12) **United States Design Patent**
Charrier

(10) **Patent No.:** **US D881,724 S**
(45) **Date of Patent:** **** Apr. 21, 2020**

- (54) **WATCH**
- (71) Applicant: **Richemont International SA,**
Villars-sur-Glane (CH)
- (72) Inventor: **Alix Charrier,** Avallon (FR)
- (73) Assignee: **Richemont International SA,**
Villars-sur-Glane (CH)
- (**) Term: **15 Years**
- (21) Appl. No.: **29/674,569**
- (22) Filed: **Dec. 21, 2018**
- (51) **LOC (12) Cl.** **10-02**
- (52) **U.S. Cl.**
USPC **D10/39**
- (58) **Field of Classification Search**
USPC D10/30, 31, 32, 33, 34, 35, 36, 37, 38,
D10/39, 122, 123, 124, 126, 128, 132;
D11/1, 2, 3, 12
CPC G04B 1/00; G04B 19/00; G04B 19/26;
G04B 19/06; G04B 19/10; G04B 19/18;
G04B 19/106; G04B 19/12; G04B 19/20;
G04B 19/22; G04B 19/21; G04B 17/28;
G04B 17/285
See application file for complete search history.

D684,486 S *	6/2013	Messmer	D10/39
D709,389 S *	7/2014	Monachon	D10/39
D746,712 S *	1/2016	Cerrato	D10/124
D746,713 S *	1/2016	Cerrato	D10/126
D820,115 S *	6/2018	Antifora	D10/38
D834,980 S *	12/2018	Le Bot	D10/126

FOREIGN PATENT DOCUMENTS

WO	DM/093820	6/2017
WO	DM/098786	5/2018

* cited by examiner

Primary Examiner — Sheryl Lane

Assistant Examiner — Samantha N Wood

(74) *Attorney, Agent, or Firm* — Taft Stettinius &
Hollister LLP

(57) **CLAIM**

The ornamental design for a watch, as shown and described.

DESCRIPTION

FIG. 1 is a front elevational view of a watch showing my new design;
 FIG. 2 is a back elevational view thereof;
 FIG. 3 is a right side elevational view thereof;
 FIG. 4 is a left side elevational view thereof;
 FIG. 5 is a bottom plan view thereof;
 FIG. 6 is a top plan view thereof;
 FIG. 7 is a front, right side perspective view thereof; and,
 FIG. 8 is a back, left side perspective view thereof.

(56) **References Cited**

U.S. PATENT DOCUMENTS

D397,623 S *	9/1998	Bulgari	D10/30
D608,225 S *	1/2010	Giroud	D10/39

1 Claim, 8 Drawing Sheets

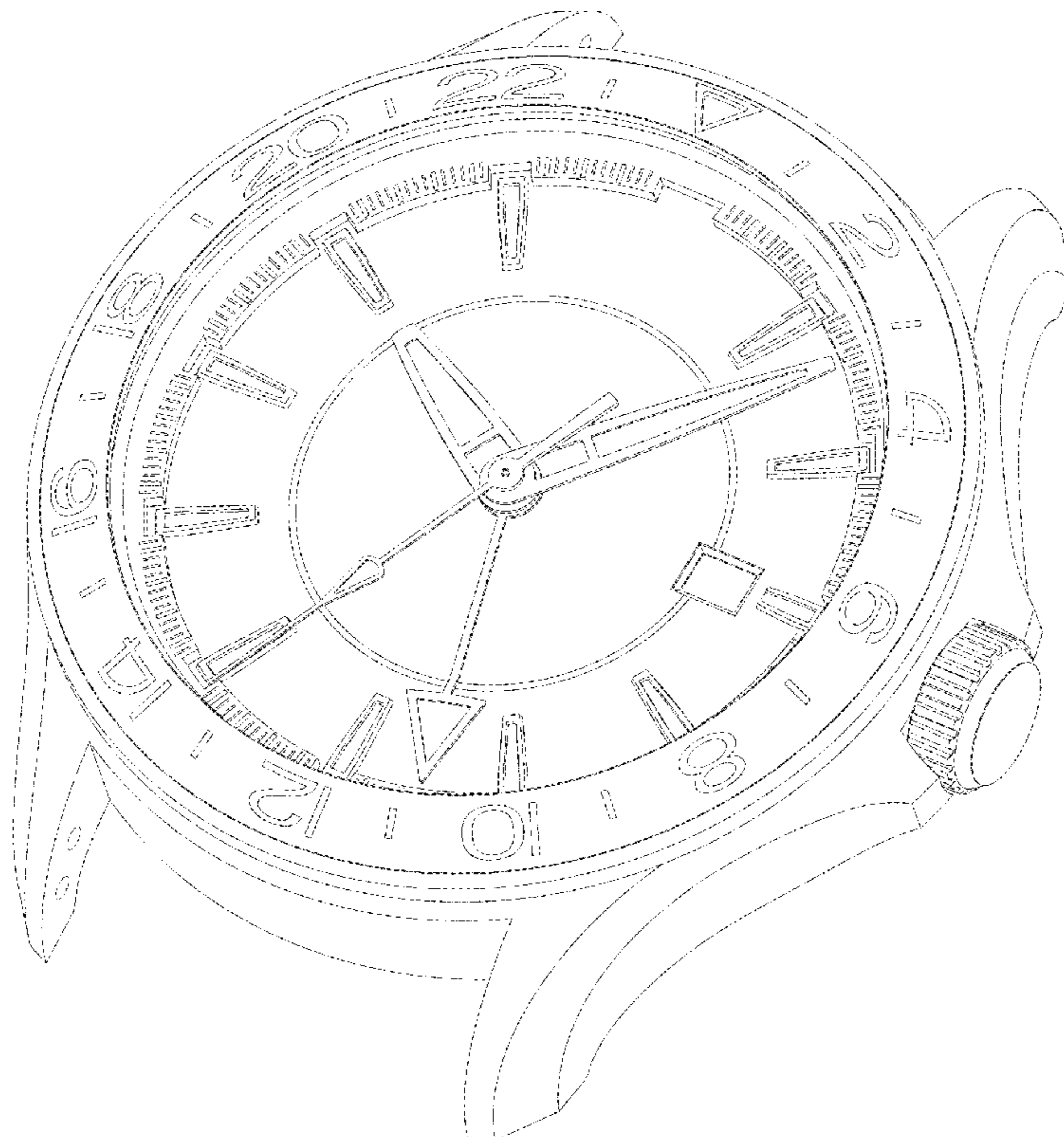




Fig. 1

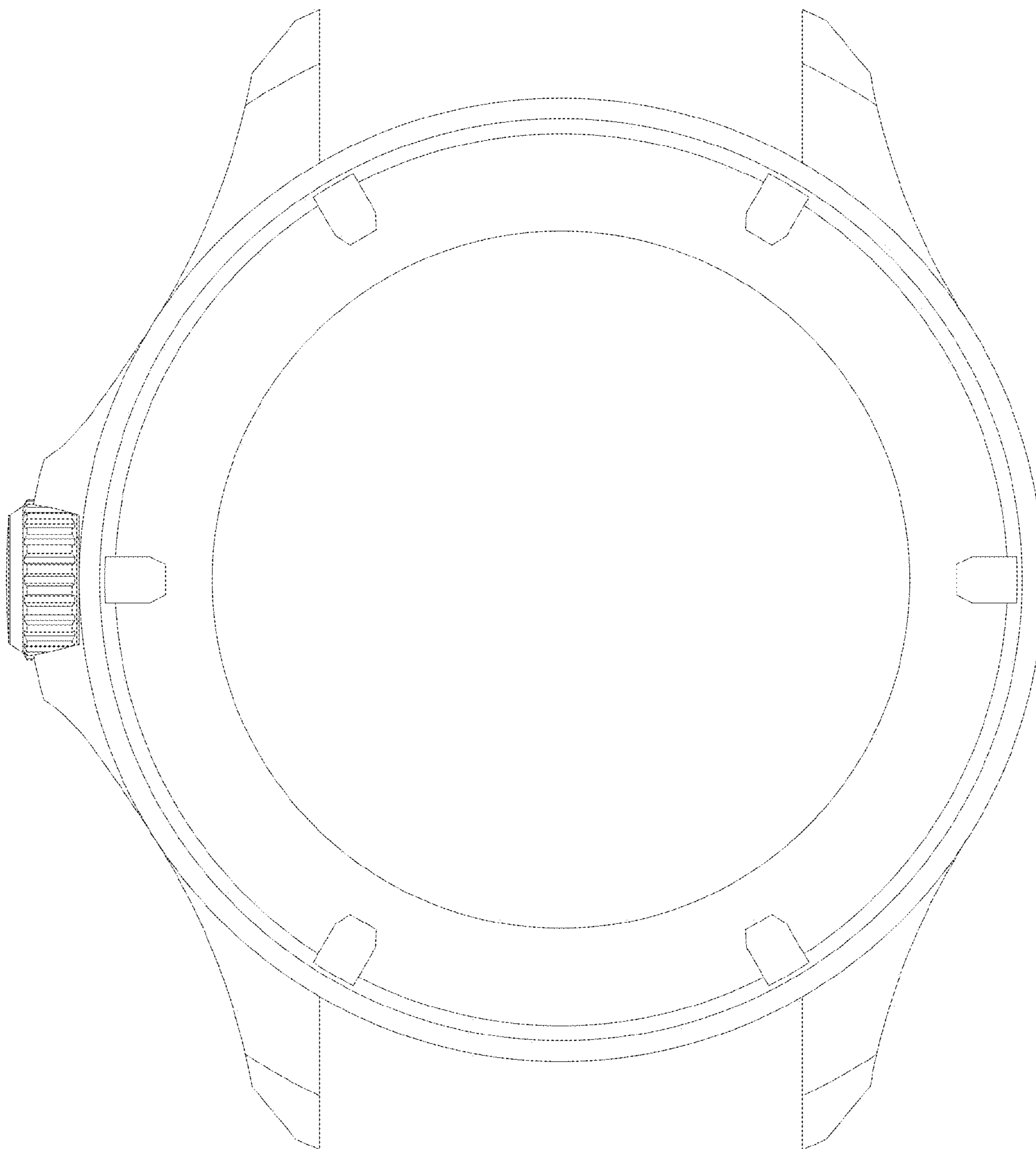


Fig. 2

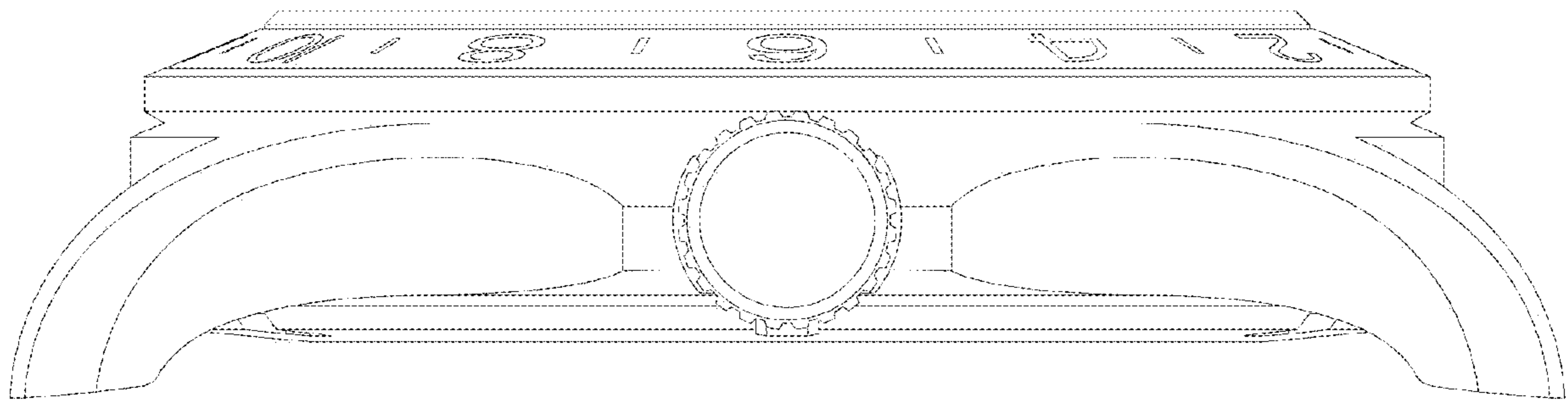


Fig. 3

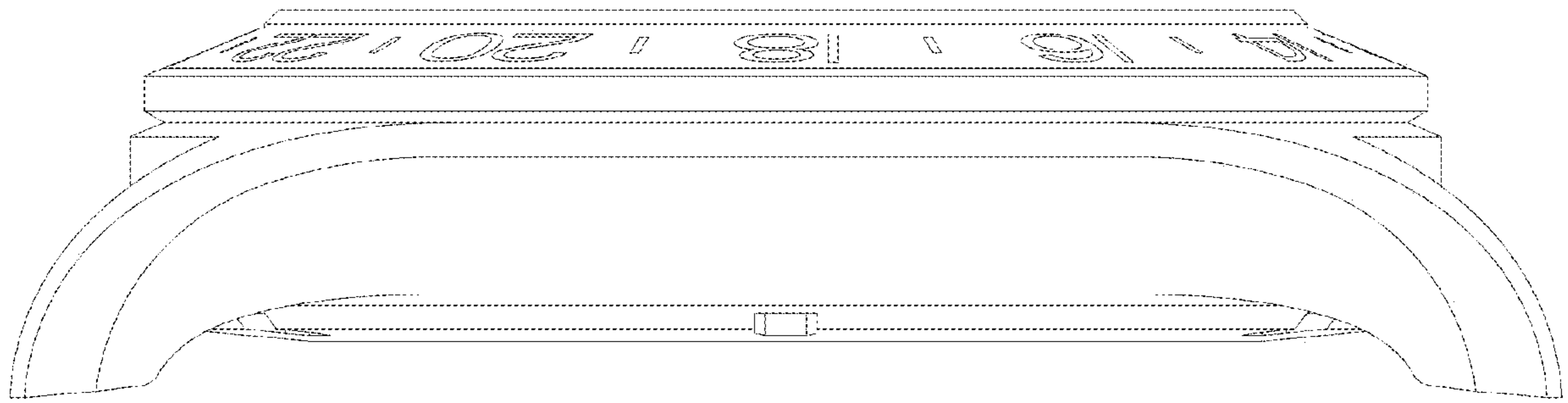


Fig. 4

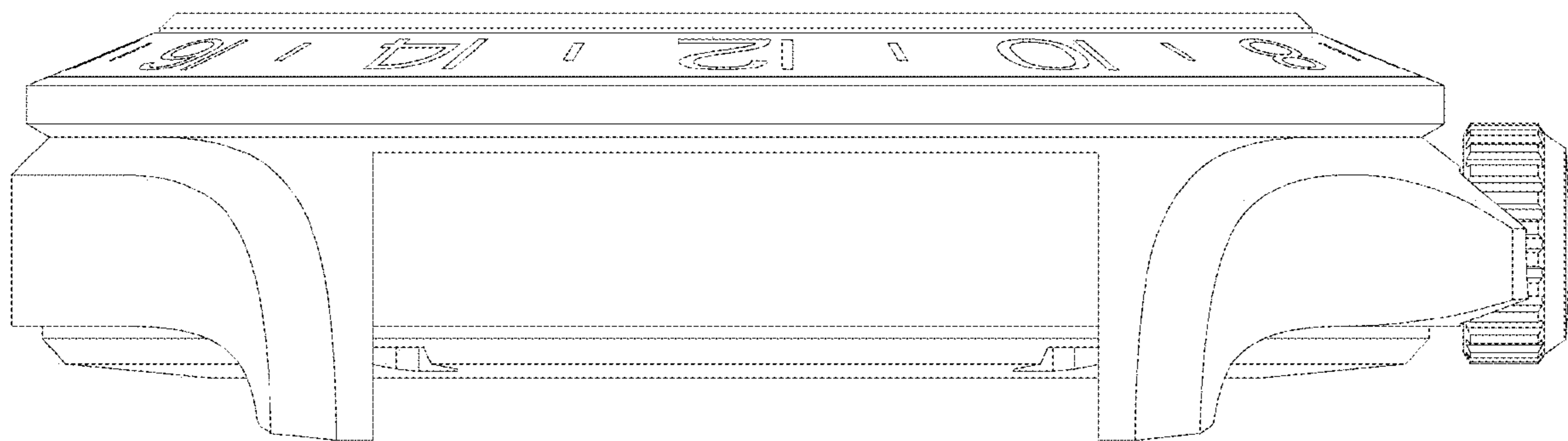


Fig. 5

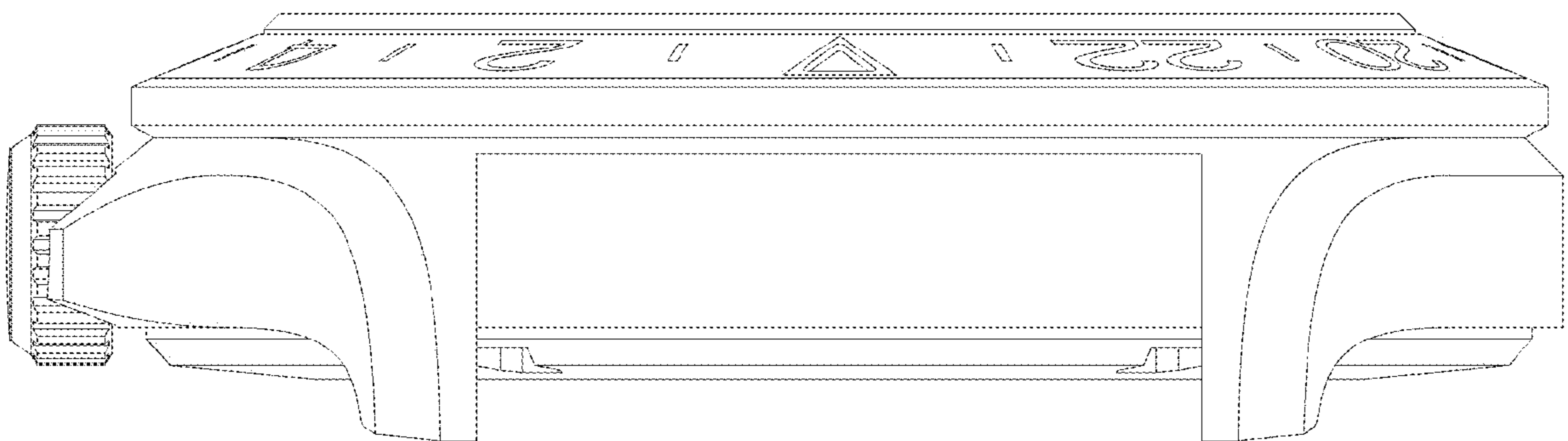


Fig. 6

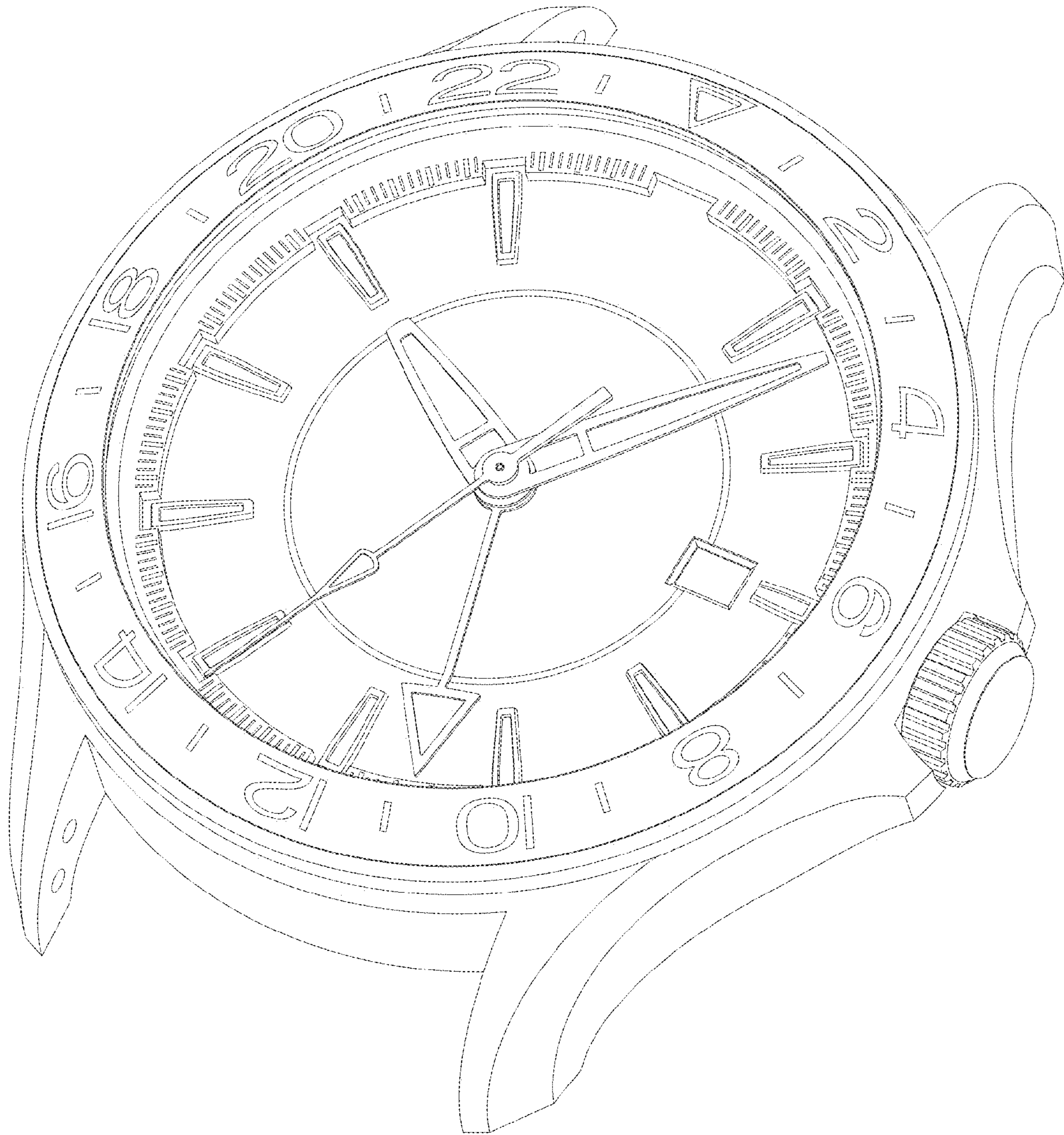


Fig. 7

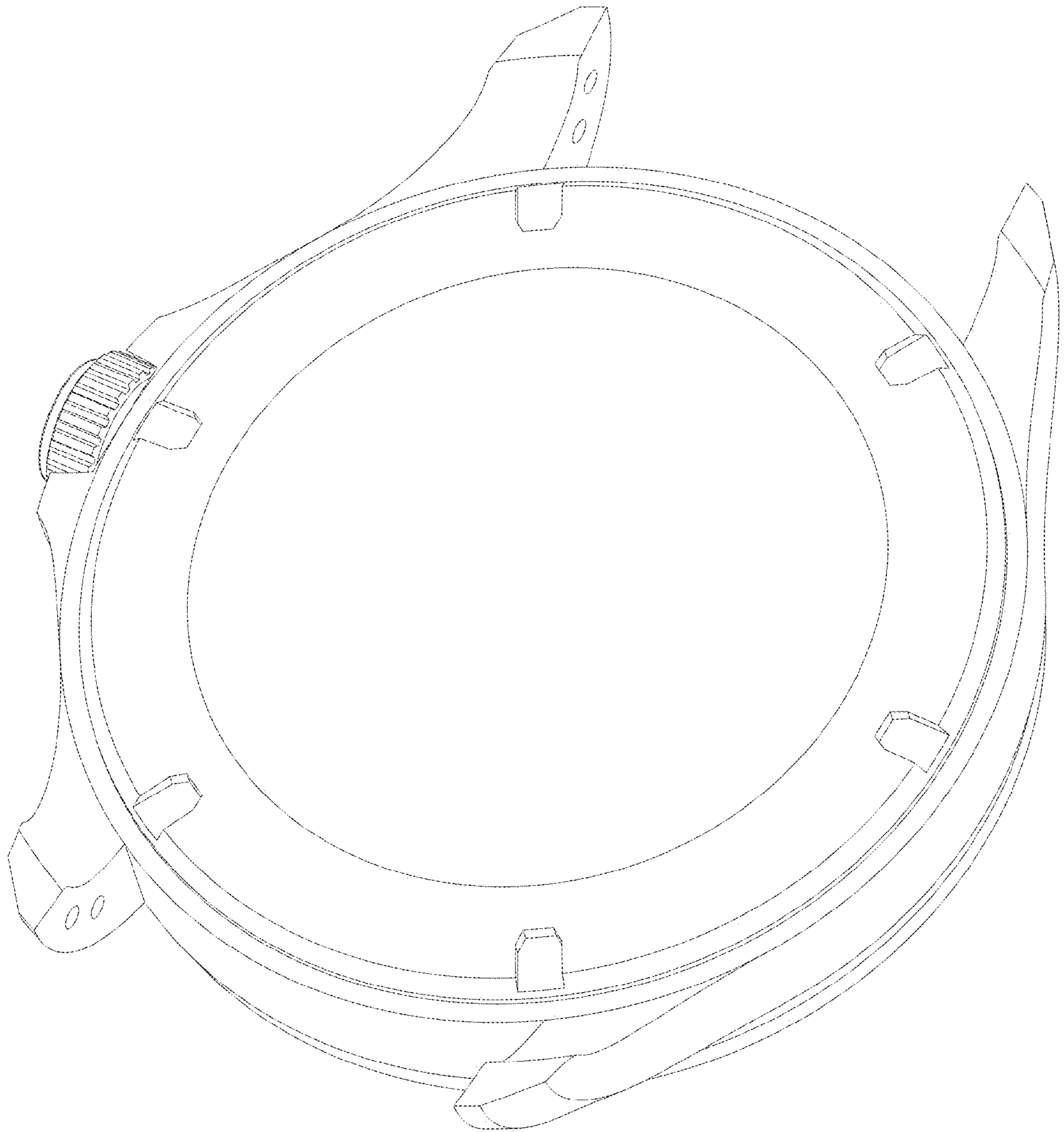


Fig. 8