



US00D881722S

(12) **United States Design Patent**  
**Herrmann**

(10) **Patent No.:** **US D881,722 S**

(45) **Date of Patent:** **\*\* Apr. 21, 2020**

(54) **WATCH**

(71) Applicant: **Richemont International SA,**  
Villars-sur-Glane (CH)

(72) Inventor: **Camille Herrmann,** Gland (CH)

(73) Assignee: **Richemont International SA,**  
Villars-sur-Glane (CH)

(\*\*) Term: **15 Years**

(21) Appl. No.: **29/673,628**

(22) Filed: **Dec. 17, 2018**

(30) **Foreign Application Priority Data**

Jun. 18, 2018 (WO) ..... DM/101710

(51) **LOC (12) Cl.** ..... **10-02**

(52) **U.S. Cl.**  
USPC ..... **D10/39**

(58) **Field of Classification Search**  
USPC ..... D10/30, 31, 32, 33, 34, 35, 36, 37, 38,  
D10/39, 122, 123, 124, 126, 128, 132;  
D11/1, 2, 3, 12

CPC ..... G04B 1/00; G04B 19/00; G04B 19/26;  
G04B 19/06; G04B 19/10; G04B 19/18;  
G04B 19/106; G04B 19/12; G04B 19/20;  
G04B 19/22; G04B 19/21; G04B 17/28;  
G04B 17/285

See application file for complete search history.

(56) **References Cited**

**U.S. PATENT DOCUMENTS**

D52,220 S \* 7/1918 Jacot ..... D10/132  
D343,127 S \* 1/1994 Chen ..... D10/126  
D559,130 S \* 1/2008 Laucella ..... D10/39  
D561,050 S \* 2/2008 Laucella ..... D10/39  
D627,243 S \* 11/2010 Deleskiewicz ..... D10/39  
D685,279 S \* 7/2013 de Haas ..... D10/126

D688,141 S \* 8/2013 Jamin ..... D10/39  
D693,244 S \* 11/2013 Duport ..... D10/39  
D756,260 S \* 5/2016 Nguyen-Tang ..... D10/126  
D766,766 S \* 9/2016 Lasserre ..... D10/126  
D823,707 S \* 7/2018 Dicks ..... D10/126  
D824,793 S \* 8/2018 Kociszewski ..... D10/126  
D834,953 S \* 12/2018 Agayev ..... D10/30

**FOREIGN PATENT DOCUMENTS**

CN 201630399629 \* 8/2016

**OTHER PUBLICATIONS**

Amazon, Henry London Unisex Adult Moon Phase Watch, posted May 26, 2016, [online], [visited Nov. 26, 2019]. Internet, <URL: [https://www.amazon.co.uk/Henry-London-Analogue-Leather-HL39-LS-0148/dp/B01G7BB0T0/ref=olp\\_product\\_details?\\_encoding=UTF8&me=>](https://www.amazon.co.uk/Henry-London-Analogue-Leather-HL39-LS-0148/dp/B01G7BB0T0/ref=olp_product_details?_encoding=UTF8&me=>) (Year: 2016).\*

(Continued)

*Primary Examiner* — Sheryl Lane

*Assistant Examiner* — Samantha N Wood

(74) *Attorney, Agent, or Firm* — Taft Stettinius & Hollister LLP

(57) **CLAIM**

The ornamental design for a watch, as shown and described.

**DESCRIPTION**

FIG. 1 is a front elevational view of a watch showing my new design;

FIG. 2 is a back elevational view thereof;

FIG. 3 is a right side elevational view thereof;

FIG. 4 is a left side elevational view thereof;

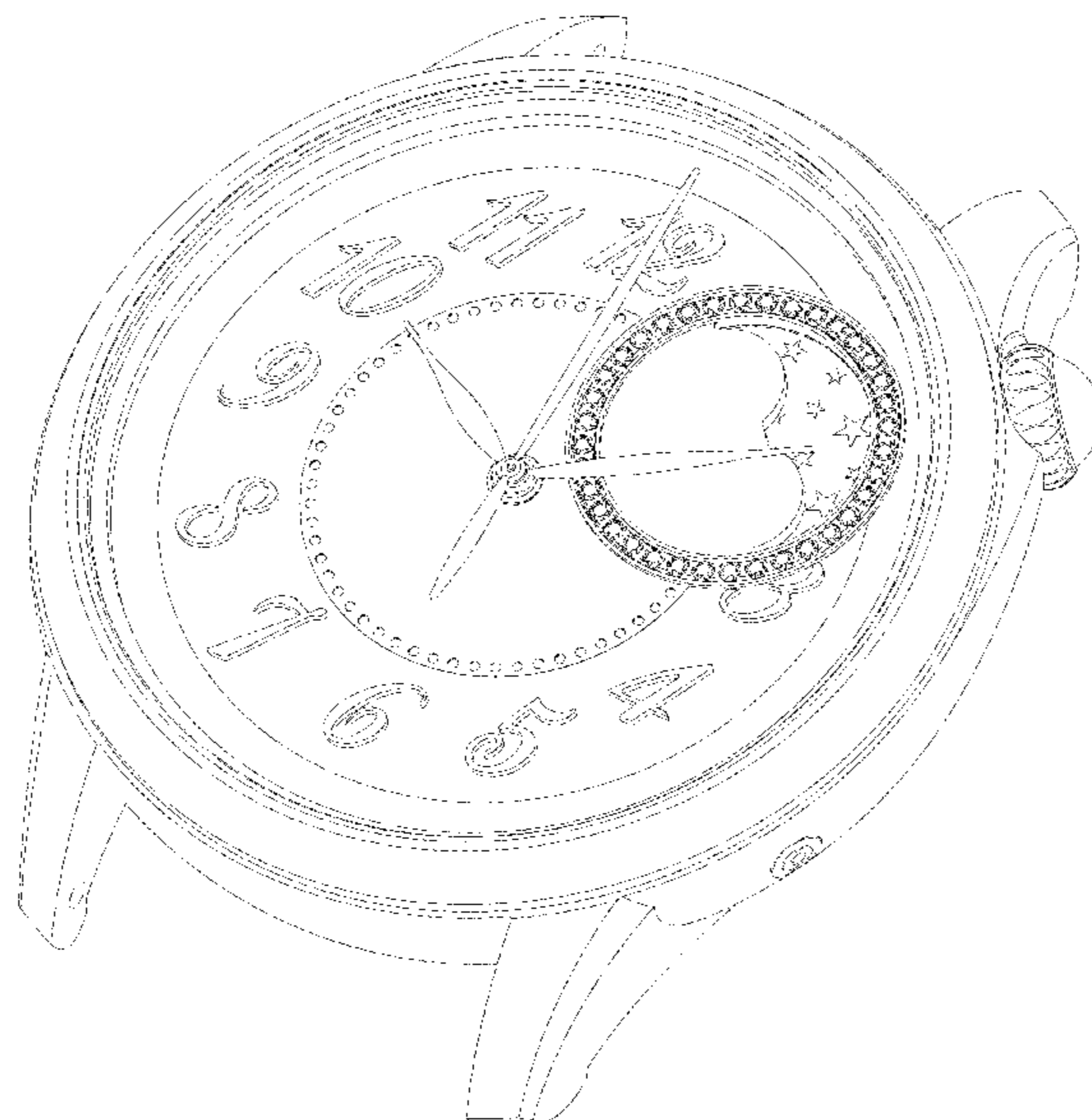
FIG. 5 is a bottom plan view thereof;

FIG. 6 is a top plan view thereof;

FIG. 7 is a front, right side perspective view thereof; and,

FIG. 8 is a back, left side perspective view thereof.

**1 Claim, 8 Drawing Sheets**



(56)

**References Cited**

OTHER PUBLICATIONS

Amazon, Zeppelin Watch, posted May 26, 2016, [online], [visited Nov. 26, 2019]. Internet, <URL: [https://www.amazon.co.uk/Zepplin-76642-3-DAU-Luna-Mondphase/dp/B01AU76XL2/ref=sr\\_1\\_99?keywords=watch+moon+window&qid=1574789717&sr=8-99](https://www.amazon.co.uk/Zepplin-76642-3-DAU-Luna-Mondphase/dp/B01AU76XL2/ref=sr_1_99?keywords=watch+moon+window&qid=1574789717&sr=8-99)> (Year: 2016).\*

Amazon, Orient Men's Analog Japanese-Automatic Watch, posted Jul. 15, 2015, [online], [visited Nov. 26, 2019]. Internet, <URL: [https://www.amazon.co.uk/Orient-Analog-Japanese-Automatic-Leather-Calfskin-FET0T002B0/dp/B00UAKJ7NQ/ref=olp\\_product\\_details?\\_encoding=UTF8&me=>](https://www.amazon.co.uk/Orient-Analog-Japanese-Automatic-Leather-Calfskin-FET0T002B0/dp/B00UAKJ7NQ/ref=olp_product_details?_encoding=UTF8&me=>)> (Year: 2015).\*

\* cited by examiner



Fig. 1

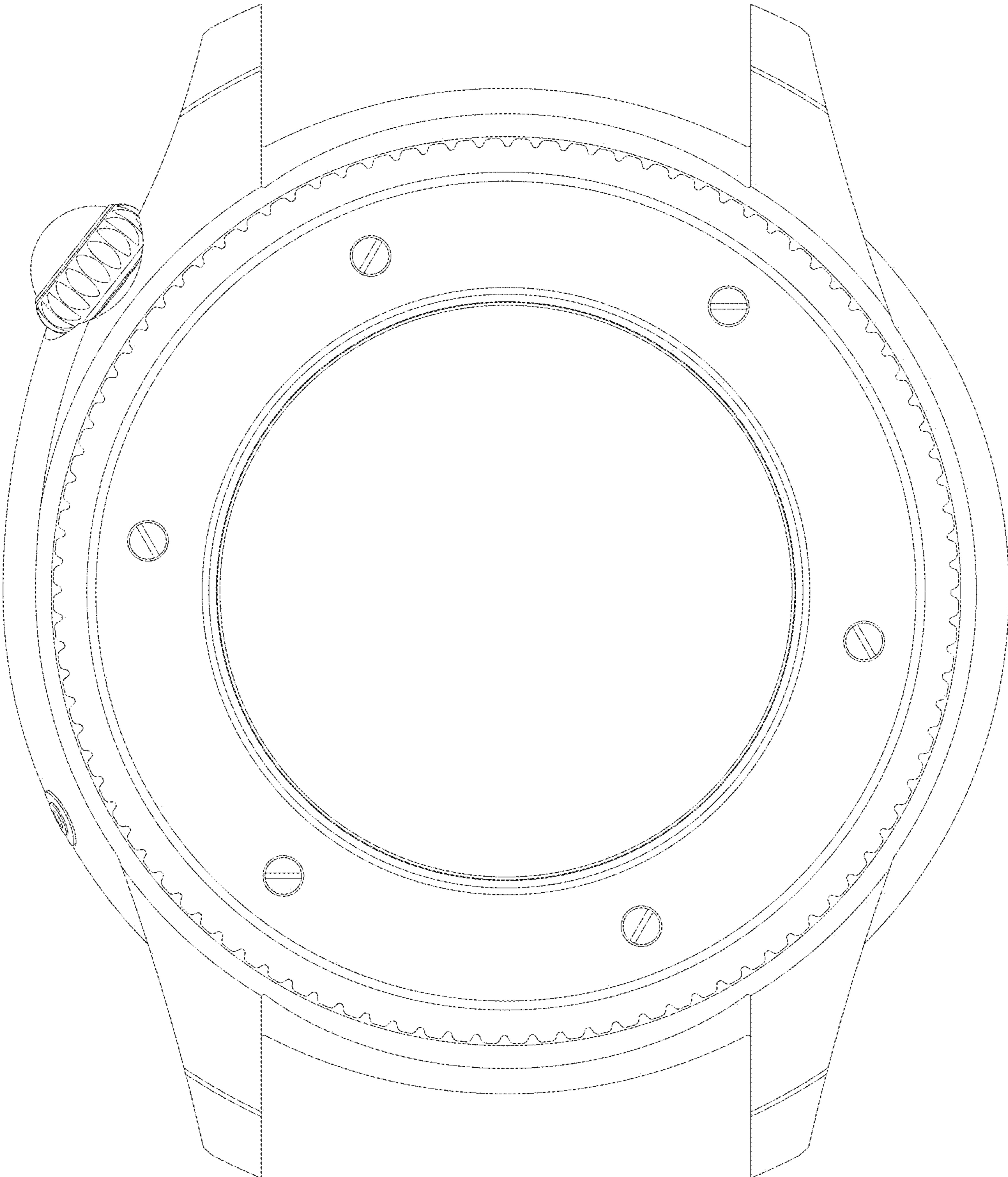


Fig. 2

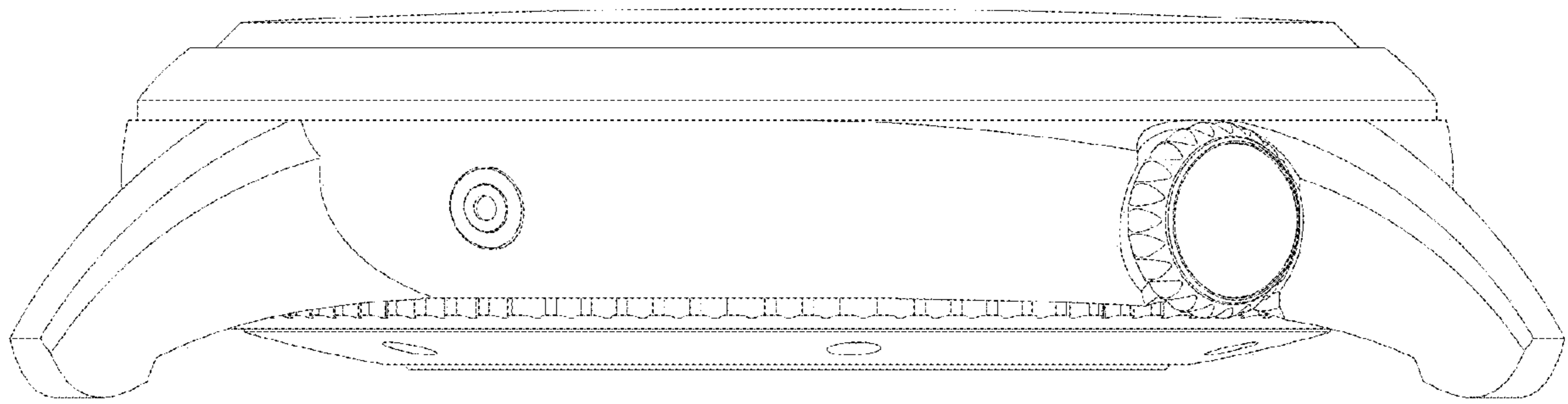


Fig. 3

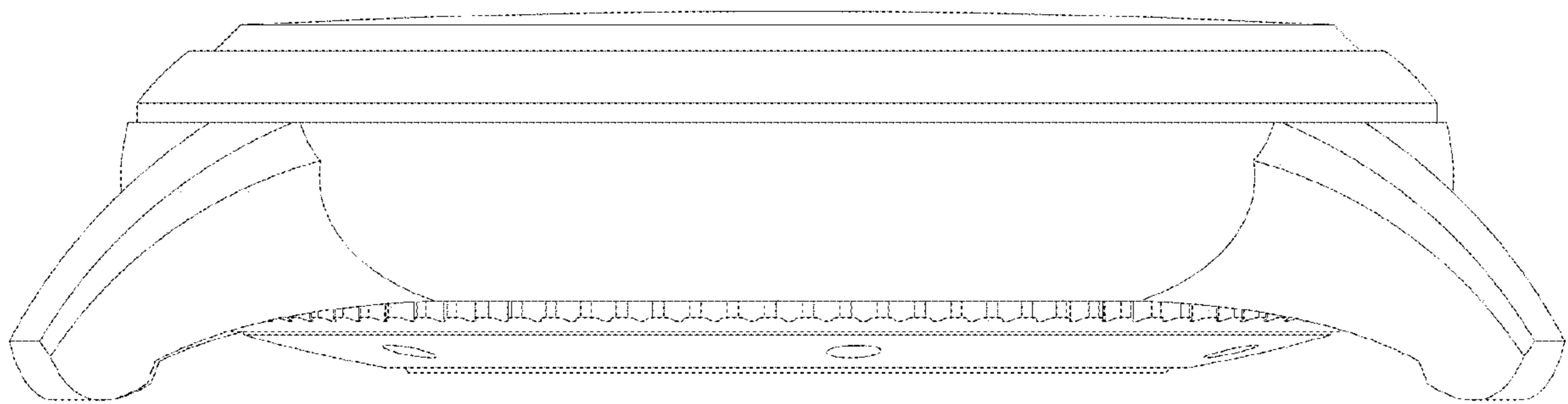


Fig. 4

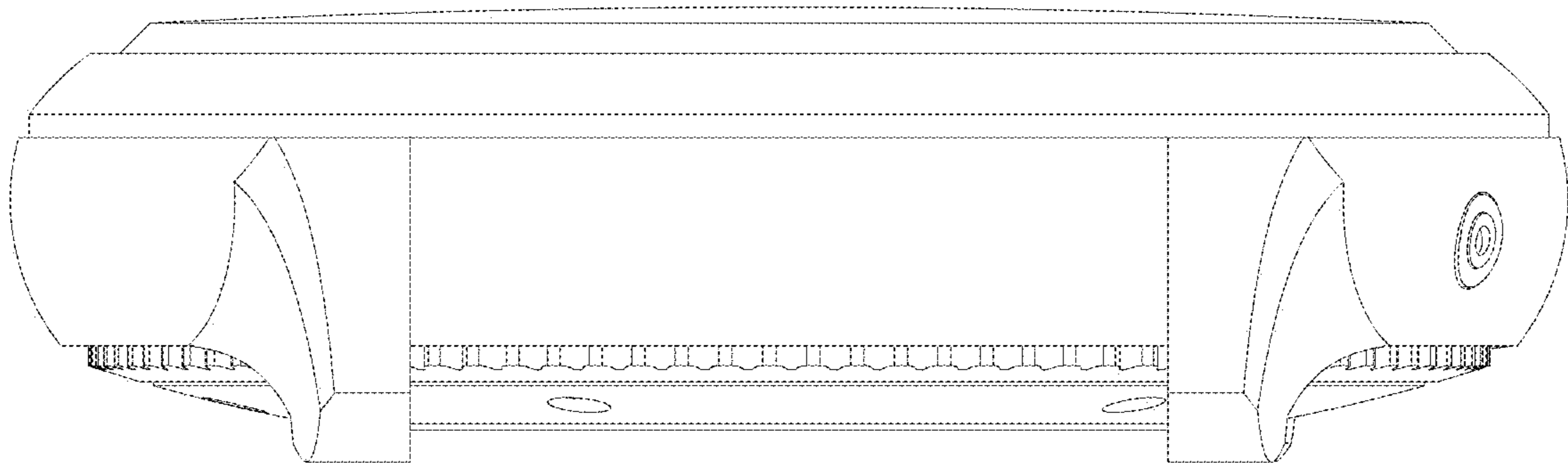


Fig. 5

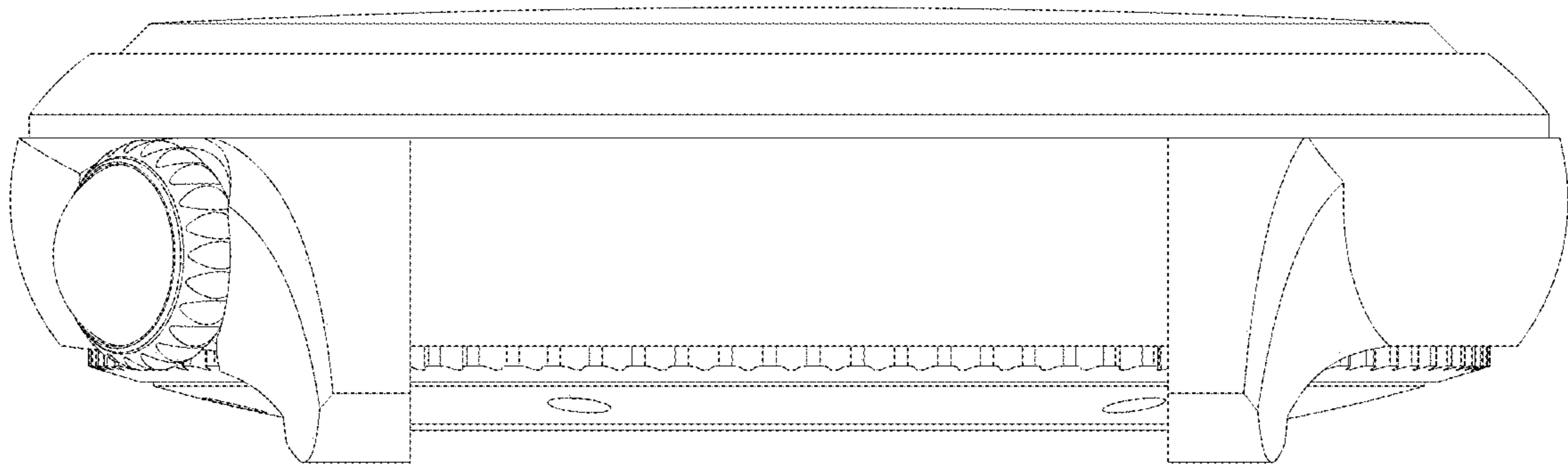


Fig. 6



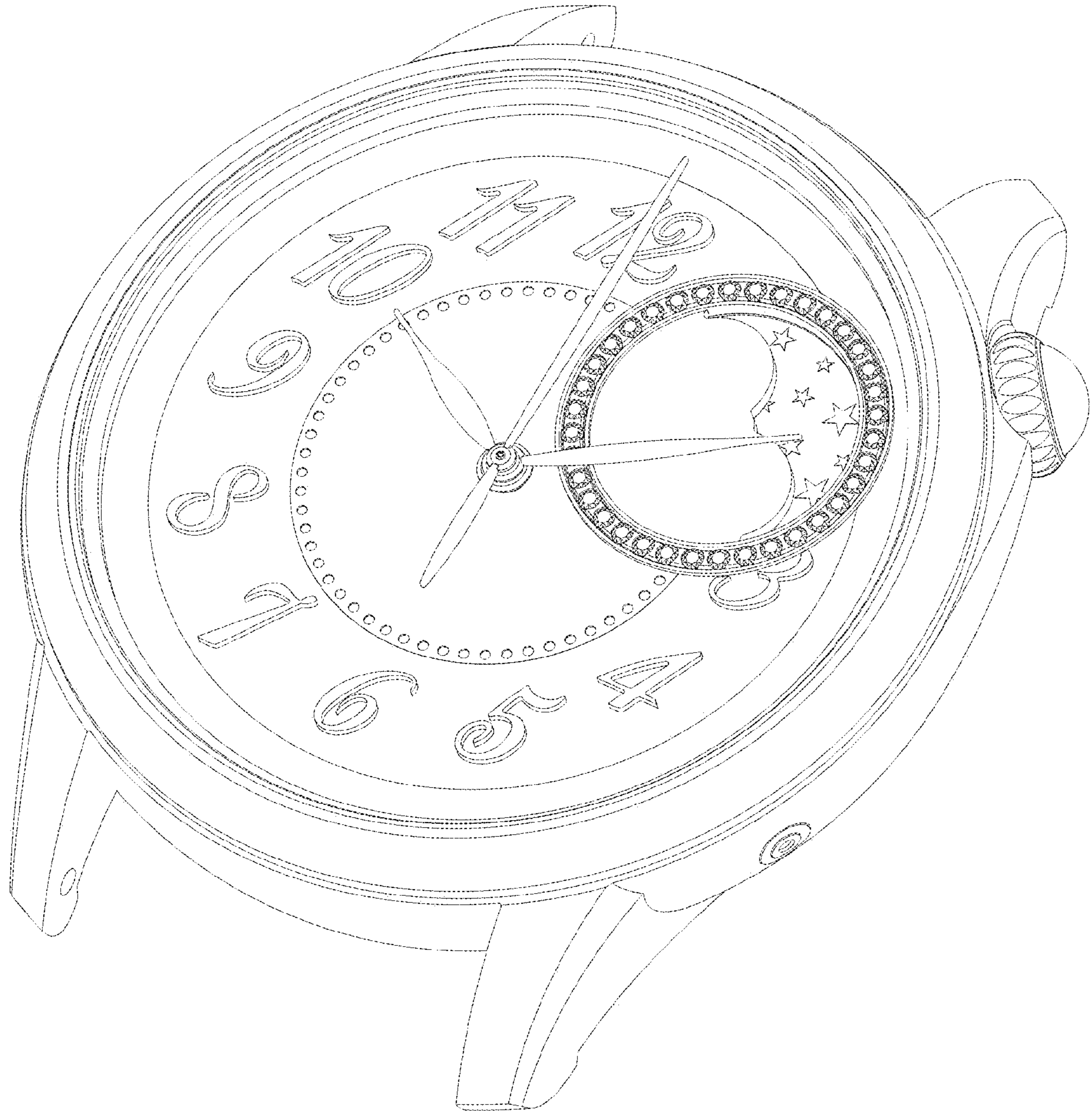


Fig. 7

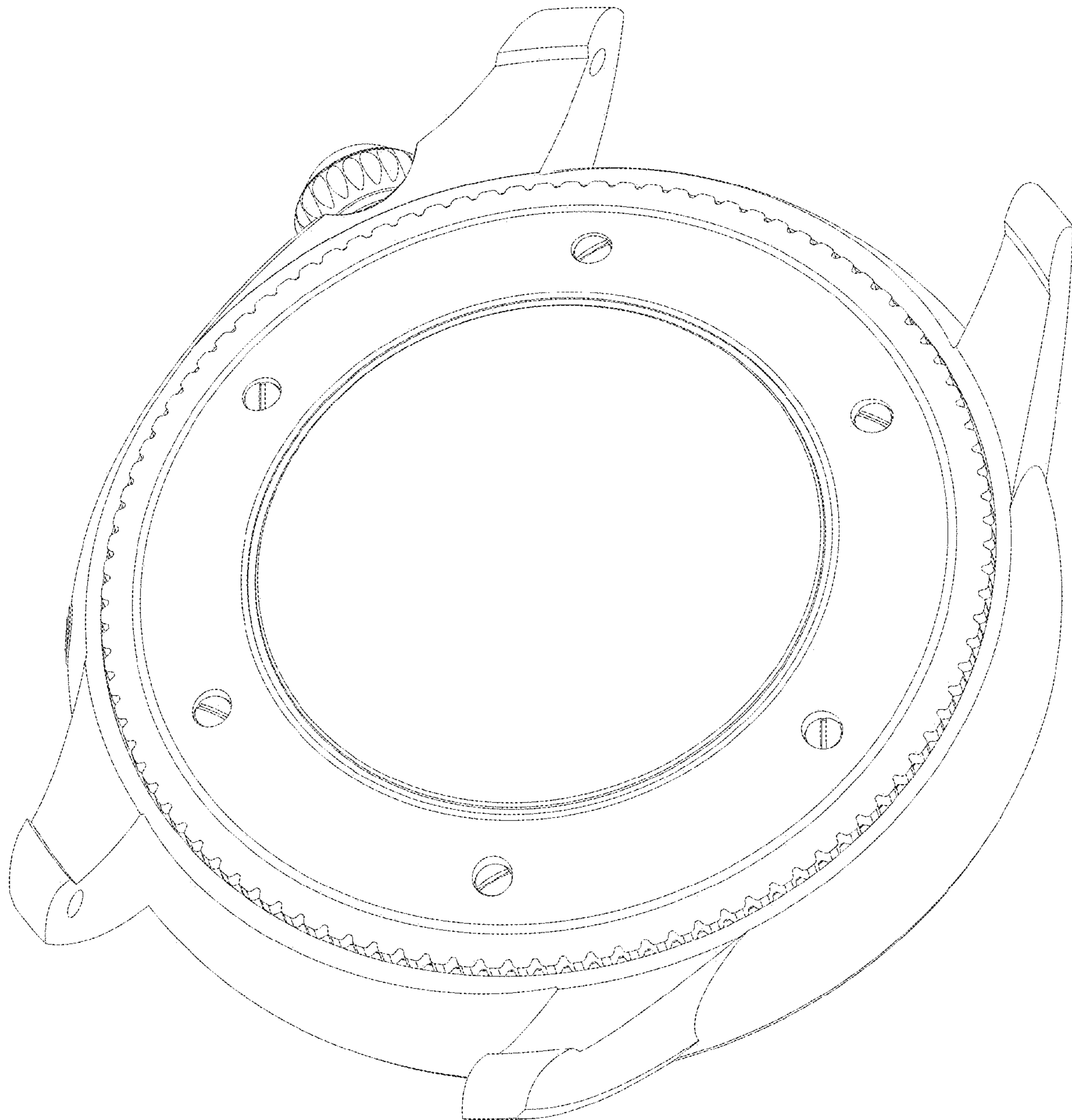


Fig. 8