



US00D881721S

(12) **United States Design Patent** (10) **Patent No.:** **US D881,721 S**
Galavis (45) **Date of Patent:** **** Apr. 21, 2020**

(54) **TORTILLA PACKAGE**
(71) Applicant: **General Mills, Inc.**, Minneapolis, MN (US)
(72) Inventor: **David Galavis**, La Rioja (ES)
(73) Assignee: **General Mills, Inc.**, Minneapolis, MN (US)
(**) Term: **15 Years**
(21) Appl. No.: **29/648,114**
(22) Filed: **May 18, 2018**
(51) **LOC (12) Cl.** **09-03**
(52) **U.S. Cl.**
USPC **D9/761**
(58) **Field of Classification Search**
USPC D9/756, 737, 424, 425, 426, 428-432, D9/748, 749, 759-761, 601, 586, 701, D9/703, 708; D7/550.1, 554.3, 587, D7/554.4, 602, 553.1-553.8, 555, 601, D7/586, 701, 703, 708; D3/20, 203.3, D3/294, 295, 313-315, 901, 304; D24/105, 176-180, 229, 230; 220/4.21-4.27, 500, 555, 556, 575, 507, 220/523, 524, DIG. 10, DIG. 20; 229/406, 120.03, 407, 904, 908; 433/77; D30/130
CPC B65B 31/028; B65D 1/30; B65D 1/34; B65D 2581/055; B65D 81/34; B65D 1/36; B65D 81/3453; B65D 85/36; B65D 21/02; B65D 21/0206; B65D 71/40; B65D 71/50; B65D 43/162; B65D 1/00; B65D 43/021; B65D 2543/00194; B65D 2543/00296; B65D 2543/00509; B65D 2543/00101; B65D 2543/00537; B65D 2543/00555; B65D 2577/2066; B65D 2101/0015; B65D 2571/00277; A61C 17/005; A61C 19/006
See application file for complete search history.

(56) **References Cited**
U.S. PATENT DOCUMENTS
D249,277 S * 9/1978 Balland D23/355
D273,765 S * 5/1984 Cillario D9/425
D280,383 S * 9/1985 Tendick D9/425
D367,172 S * 2/1996 Brightbill D3/310
D448,130 S * 9/2001 Wagner D32/53.1
D590,596 S * 4/2009 Dretzka D3/304
D696,910 S * 1/2014 Franczyk D7/629
D712,752 S * 9/2014 Stuart D9/756
D713,196 S * 9/2014 Sarnoff D7/357
D713,741 S * 9/2014 Wilmers D9/424
D793,868 S * 8/2017 Kim D9/756
D814,929 S * 4/2018 Bergeron D9/456
10,398,243 B2 * 9/2019 Sedgwick A47G 19/30
2009/0321292 A1 * 12/2009 Prudden, Jr. B65D 1/30
206/354

(Continued)

FOREIGN PATENT DOCUMENTS

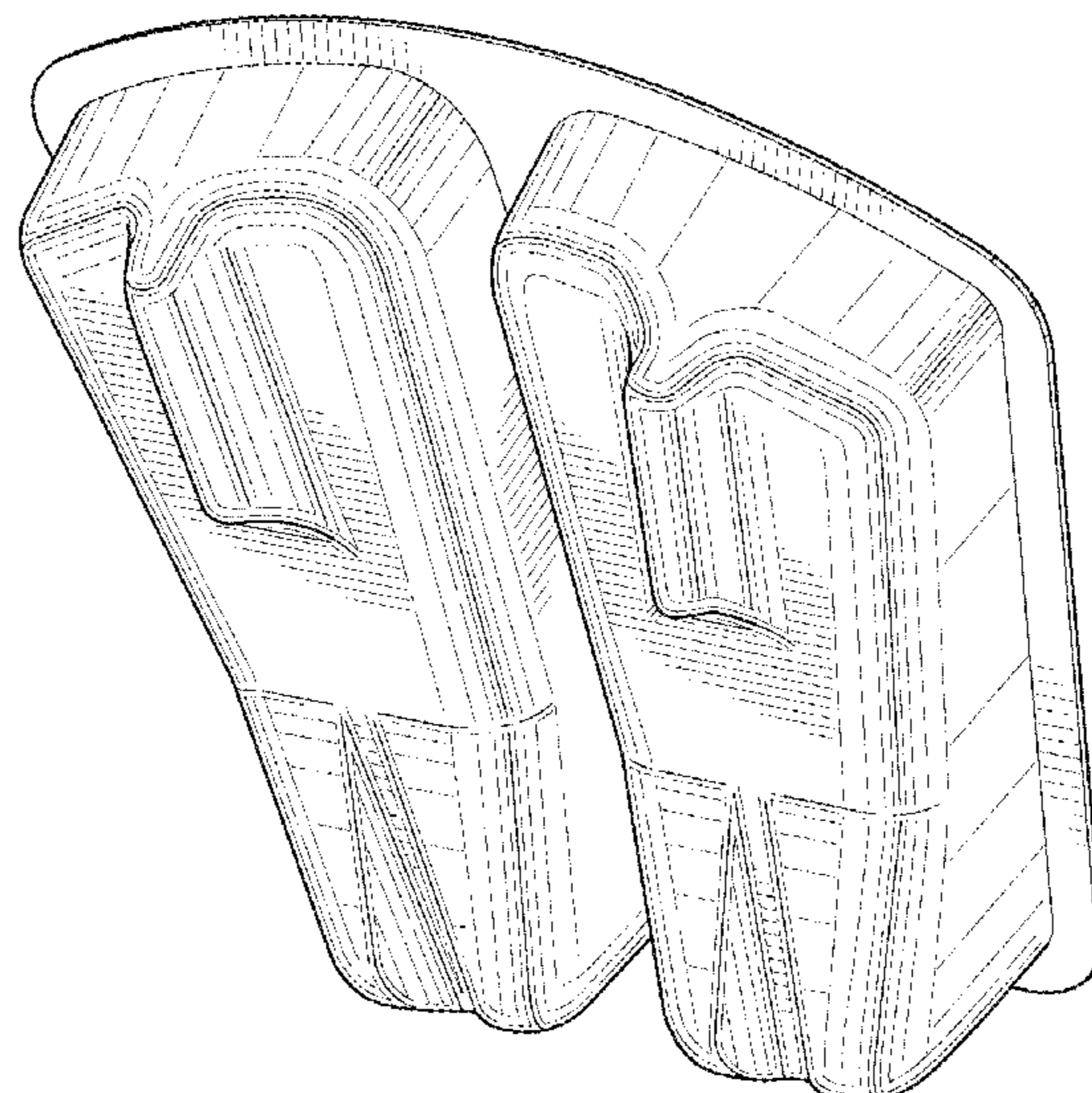
EM 005818572-0001 * 1/2019
Primary Examiner — Cathron C Brooks
Assistant Examiner — W. A. Teddy Falloway
(74) *Attorney, Agent, or Firm* — Diederiks & Whitelaw, PLC; John L. Crimmins, Esq.

(57) **CLAIM**
The ornamental design for a tortilla package, as shown and described.

DESCRIPTION

FIG. 1 is a lower perspective view of the tortilla package according to my new design;
FIG. 2 is a bottom view of the tortilla package;
FIG. 3 is a top view of the tortilla package;
FIG. 4 is a front elevational view of the tortilla package;
FIG. 5 is a rear elevational view of the tortilla package;
FIG. 6 is a left side view of the tortilla package; and,
FIG. 7 is a right side view of the tortilla package.

1 Claim, 5 Drawing Sheets



(56)

References Cited

U.S. PATENT DOCUMENTS

2010/0065562 A1* 3/2010 Vovan B65D 1/30
220/23.4
2015/0217925 A1* 8/2015 Inagaki B65D 77/2024
426/106
2018/0162624 A1* 6/2018 Bergeron B65D 81/05

* cited by examiner

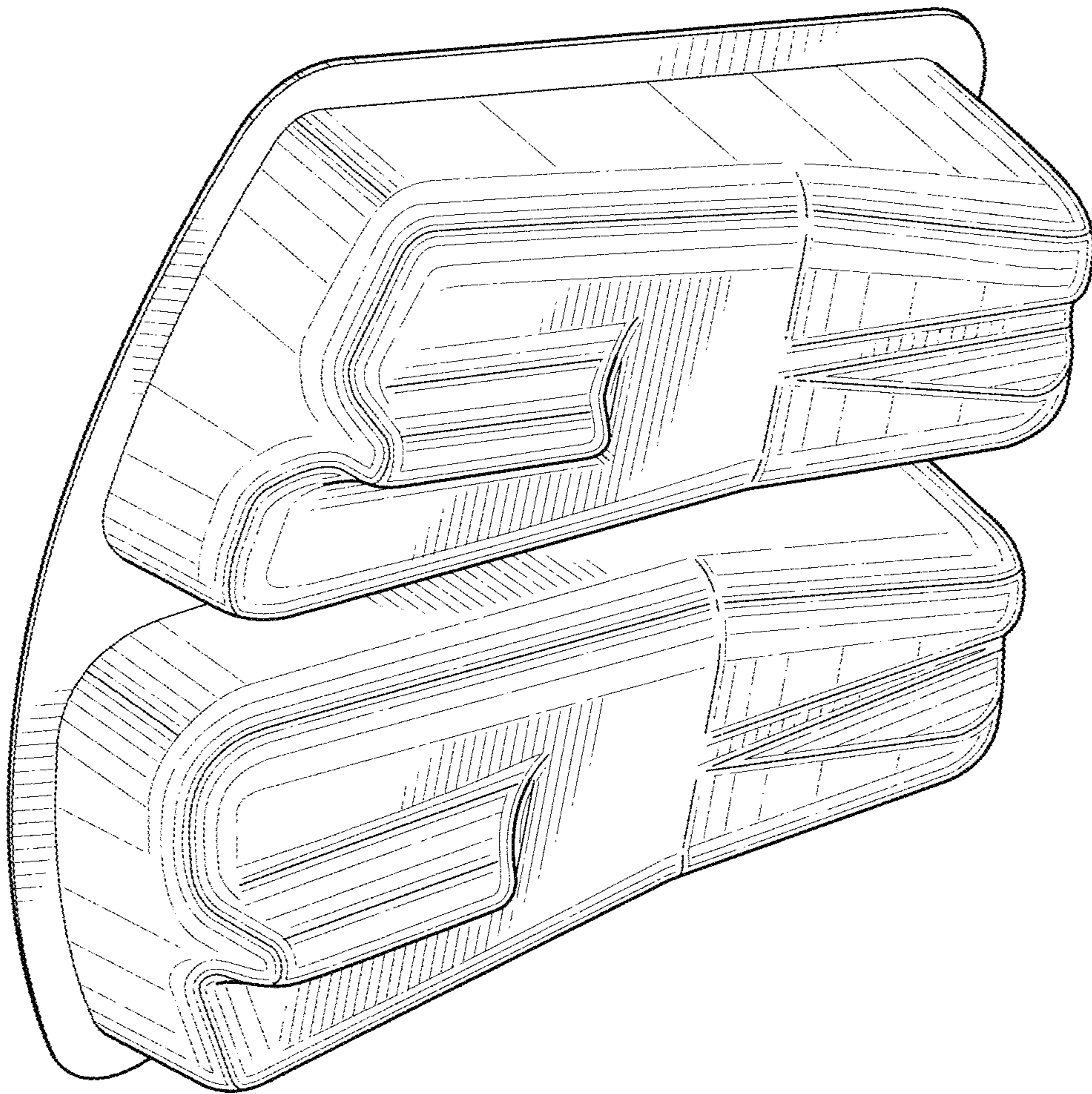


FIG. 1

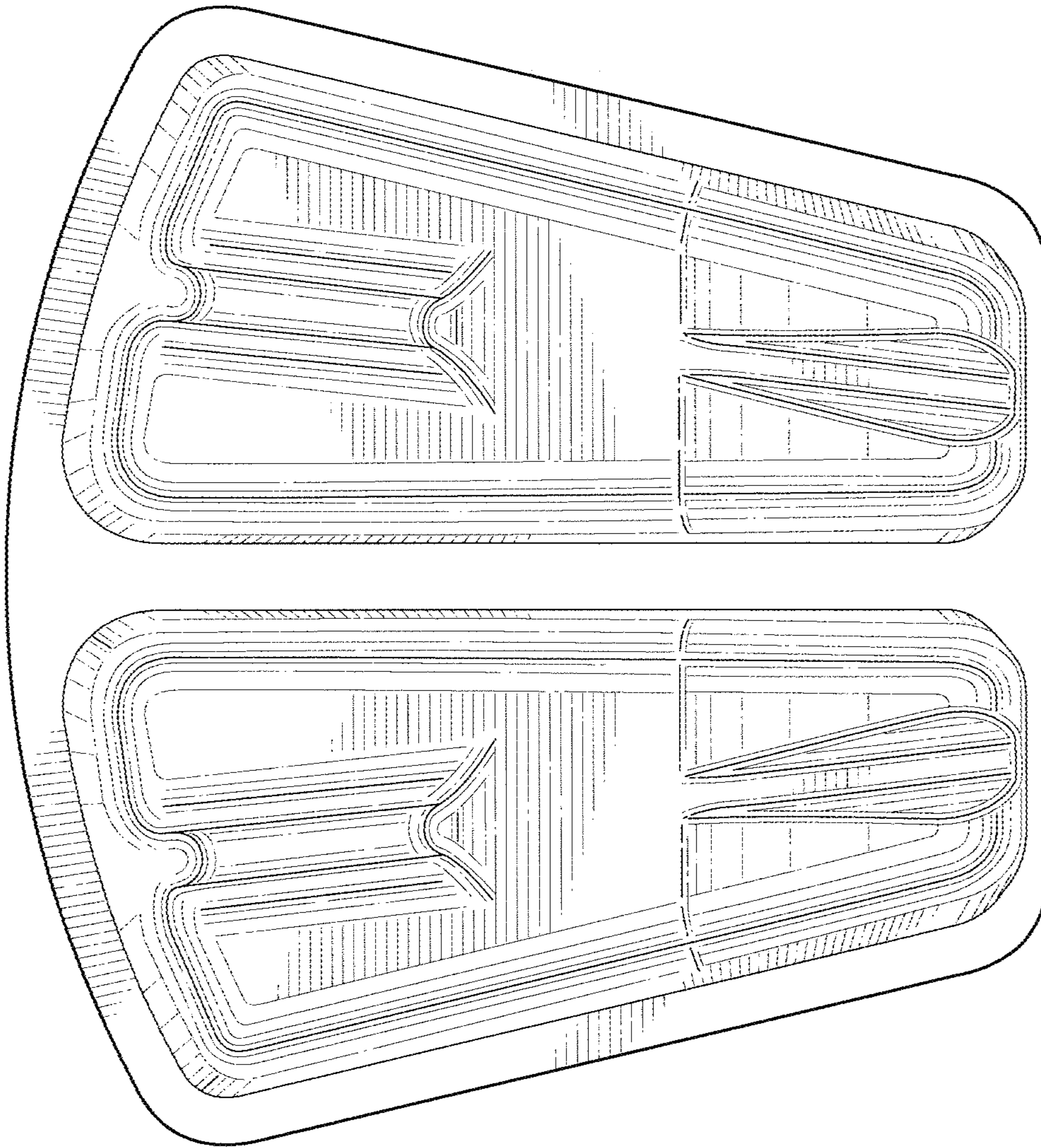


FIG. 2

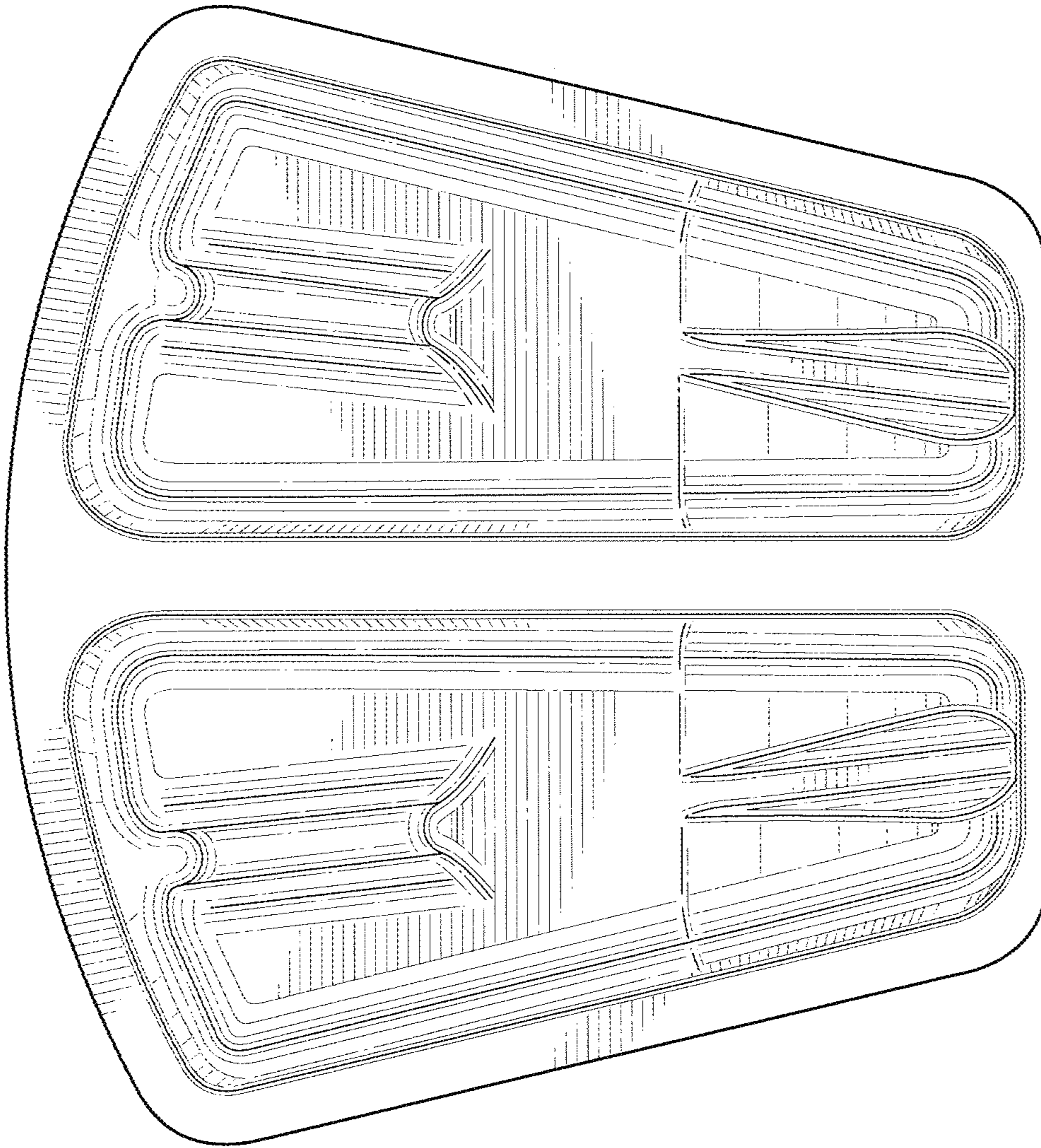


FIG. 3

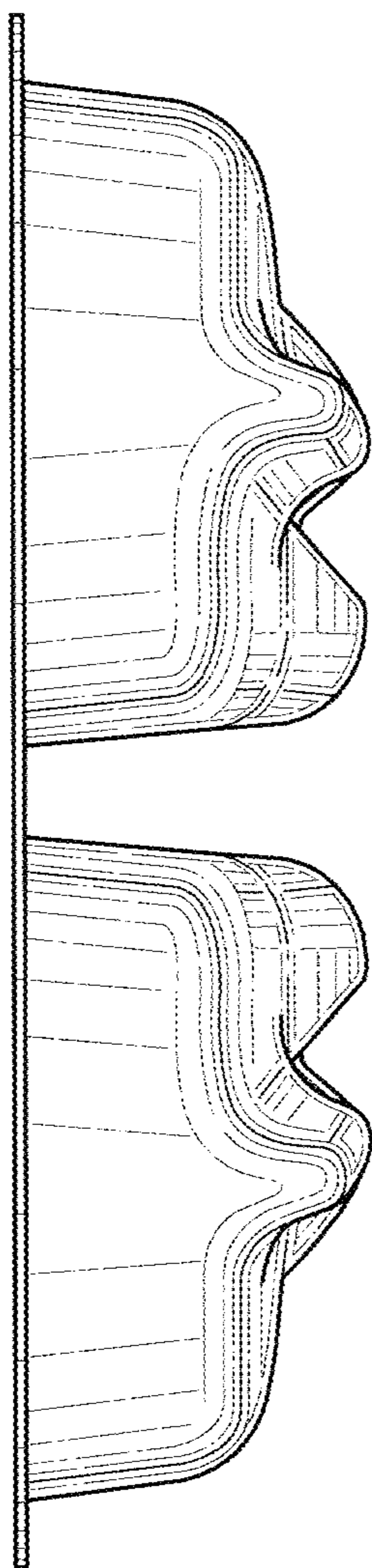


FIG. 4

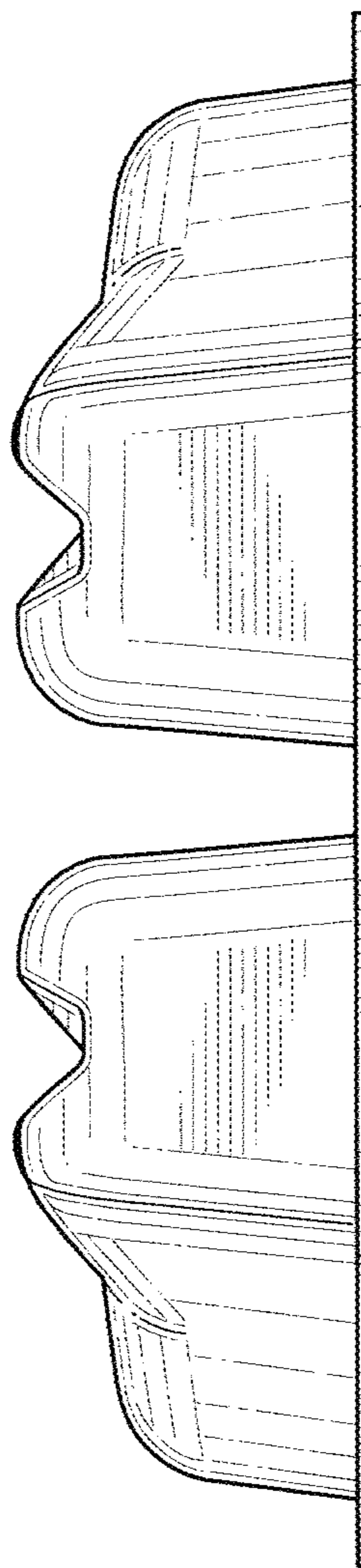


FIG. 5

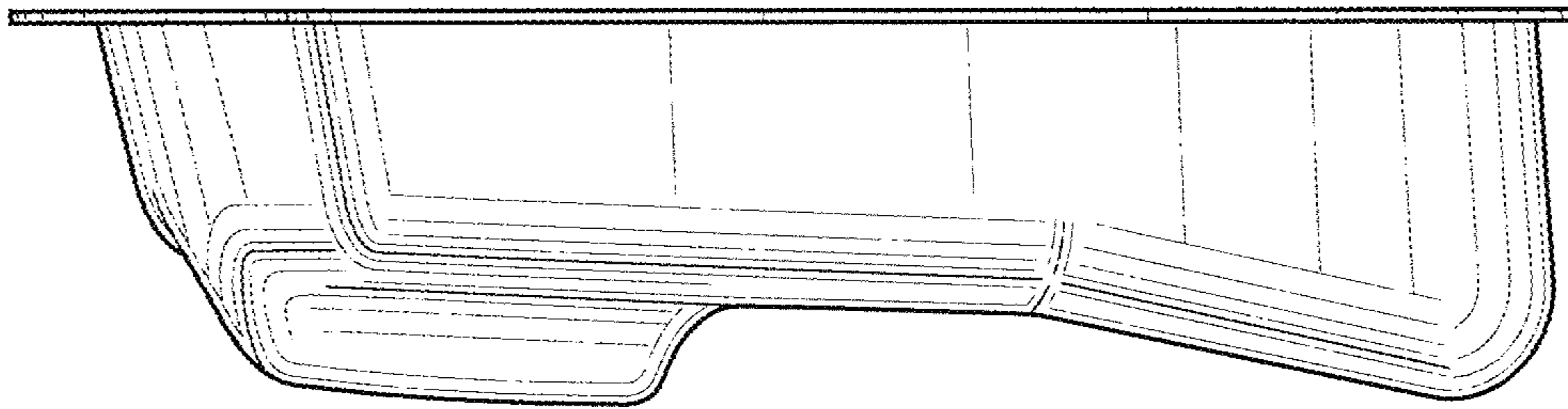


FIG. 7

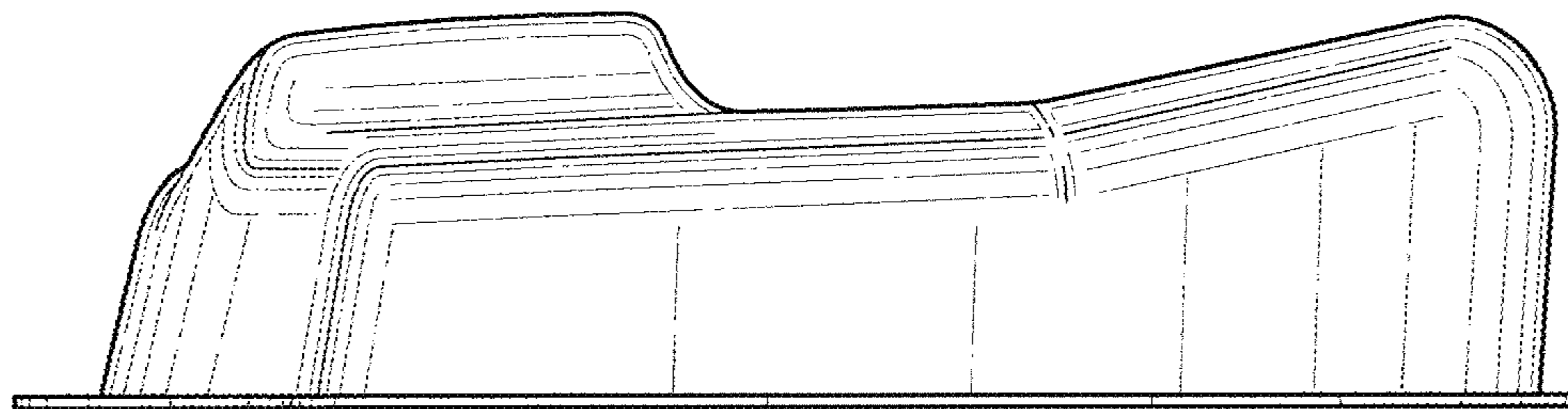


FIG. 6