



US00D881716S

(12) **United States Design Patent** (10) **Patent No.:** **US D881,716 S**  
**Tempfli** (45) **Date of Patent:** **\*\* Apr. 21, 2020**

(54) **PACKAGING BOTTLE FOR LIQUIDS**  
(71) Applicant: **Karl Tempfli**, Gottmadingen (DE)  
(72) Inventor: **Karl Tempfli**, Gottmadingen (DE)  
(73) Assignee: **Aptar Radolfzell GmbH**, Radolfzell (DE)  
(\*\*) Term: **15 Years**  
(21) Appl. No.: **29/675,095**  
(22) Filed: **Dec. 28, 2018**

2002/0176734 A1\* 11/2002 Keating ..... A45D 34/042  
401/270  
2008/0118299 A1\* 5/2008 Py ..... B65D 47/18  
2010/0187260 A1\* 7/2010 Stadelhofer ..... B05B 11/0027  
222/207  
2010/0206908 A1\* 8/2010 Pruvot ..... B05B 11/3059  
222/153.13  
2010/0254749 A1\* 10/2010 Amiconi ..... C11D 17/041  
401/196  
2014/0097207 A1\* 4/2014 Szymiczek ..... B05B 11/0032  
222/153.13  
2014/0263457 A1\* 9/2014 Barber ..... A61M 15/08  
222/153.13  
2015/0088069 A1\* 3/2015 Kim ..... A61M 15/08  
604/149  
2015/0284177 A1\* 10/2015 Patil ..... B05B 11/0027  
222/153.04

(30) **Foreign Application Priority Data**  
Jun. 29, 2018 (EM) ..... 005331204  
(51) **LOC (12) Cl.** ..... **09-01**  
(52) **U.S. Cl.**  
USPC ..... **D9/724**  
(58) **Field of Classification Search**  
USPC ..... D9/549, 551, 558, 559, 723, 724, 726;  
D7/300, 312; D24/197  
CPC ..... B05B 11/3059; B05B 11/0027; B05B  
11/0032; B05B 11/3004; B05B 11/3015;  
B05B 11/306; B05B 11/3064  
See application file for complete search history.

(Continued)

**OTHER PUBLICATIONS**

U.S. Appl. No. 29/675,084, filed Dec. 28, 2018.  
(Continued)

*Primary Examiner* — Lauren R Calve  
(74) *Attorney, Agent, or Firm* — Flynn Thiel, P.C.

(57) **CLAIM**

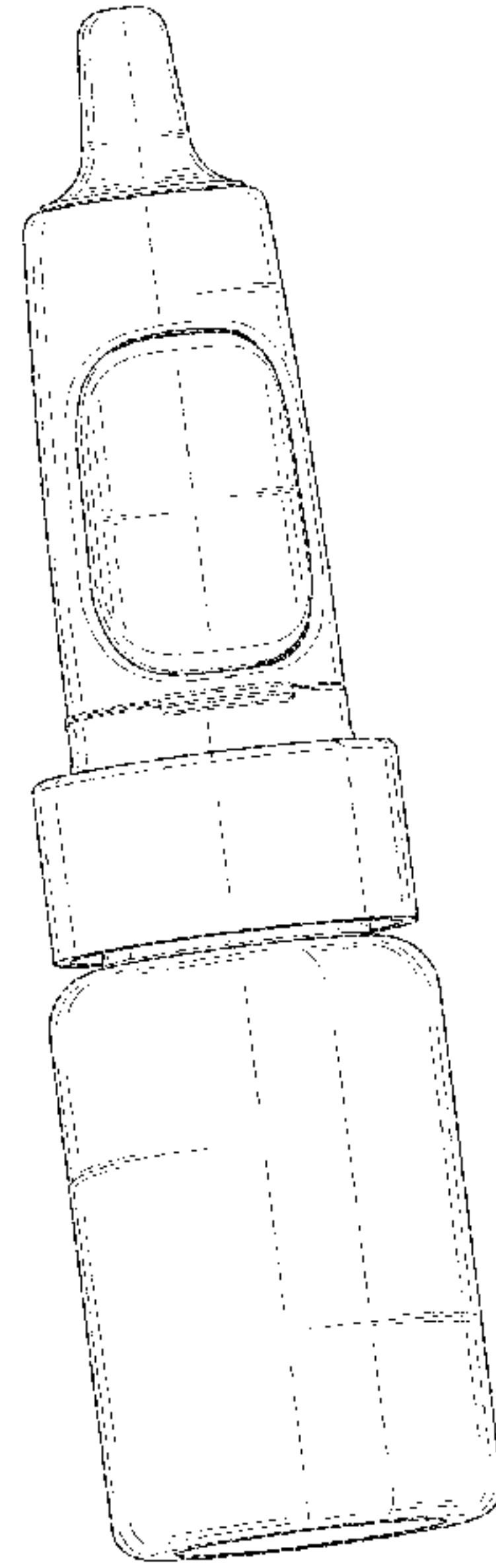
The ornamental design for a packaging bottle for liquids, as shown and described.

(56) **References Cited**  
U.S. PATENT DOCUMENTS  
4,830,224 A \* 5/1989 Brison ..... B05B 11/0027  
222/153.06  
6,090,086 A \* 7/2000 Bolden ..... A61F 9/0026  
604/295  
D515,431 S \* 2/2006 Dehaene ..... D9/558  
D544,957 S \* 6/2007 Bloc ..... D24/110  
D579,786 S \* 11/2008 Py ..... D9/724  
D655,621 S \* 3/2012 Py ..... D9/724  
D711,542 S \* 8/2014 Pierson ..... D24/176  
D770,287 S \* 11/2016 Holaschke ..... D9/453

**DESCRIPTION**

FIG. 1 is a perspective view of a packaging bottle for liquids showing my new design;  
FIG. 2 is a front view thereof;  
FIG. 3 is a right side view thereof;  
FIG. 4 is a rear view thereof;  
FIG. 5 is a left side view thereof;  
FIG. 6 is a top view thereof; and,  
FIG. 7 is a bottom view thereof.

**1 Claim, 6 Drawing Sheets**



(56)

**References Cited**

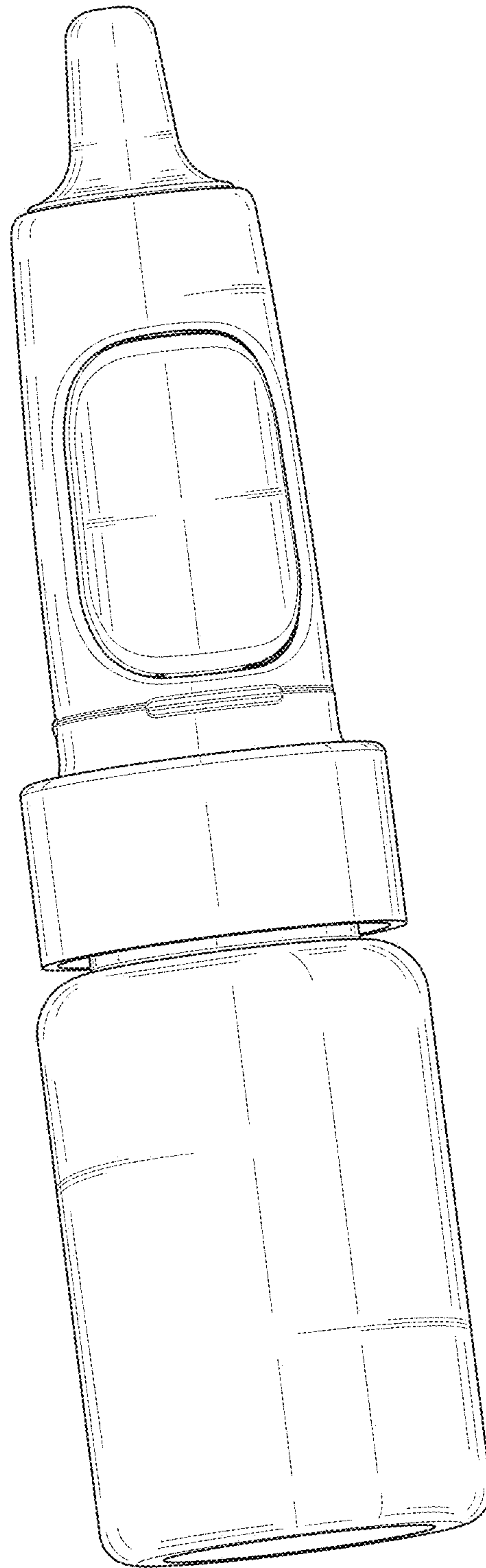
U.S. PATENT DOCUMENTS

2015/0335528 A1\* 11/2015 Kim ..... A61H 35/04  
128/200.17  
2019/0029395 A1\* 1/2019 Porter ..... A45D 34/04  
2019/0111448 A1\* 4/2019 Greiner-Perth ..... B05B 11/0027

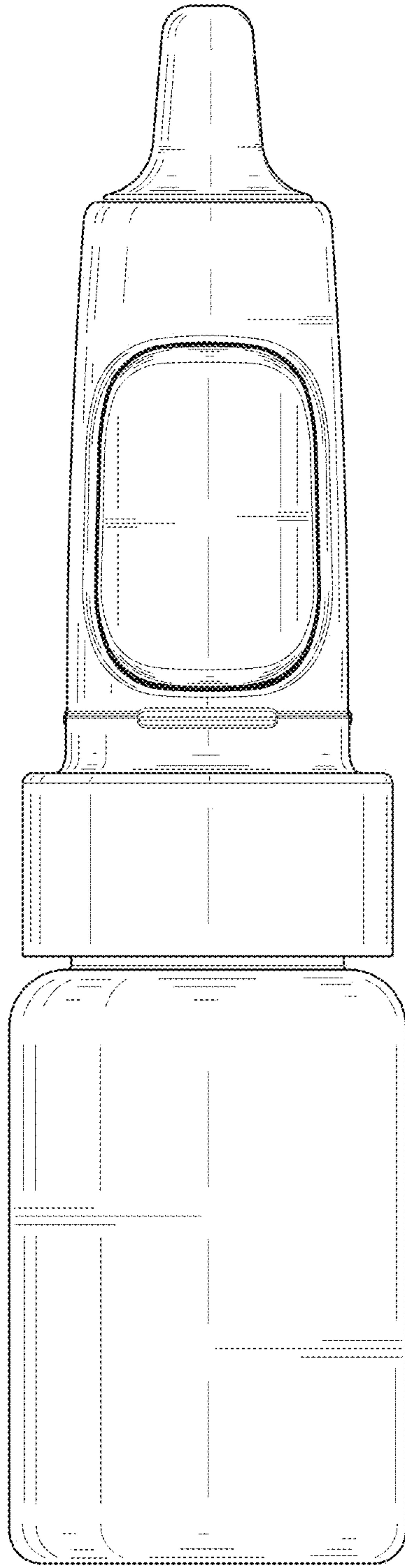
OTHER PUBLICATIONS

U.S. Appl. No. 29/675,085, filed Dec. 28, 2018.  
U.S. Appl. No. 29/675,091, filed Dec. 28, 2018.  
U.S. Appl. No. 29/675,097, filed Dec. 28, 2018.  
U.S. Appl. No. 29/675,098, filed Dec. 28, 2018.  
U.S. Appl. No. 29/675,099, filed Dec. 28, 2018.

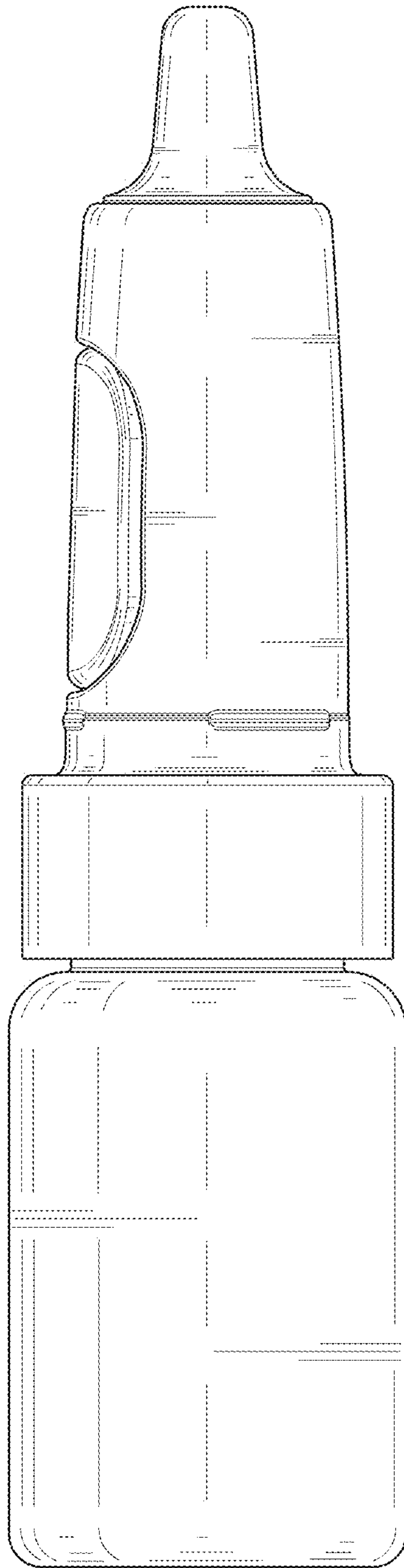
\* cited by examiner



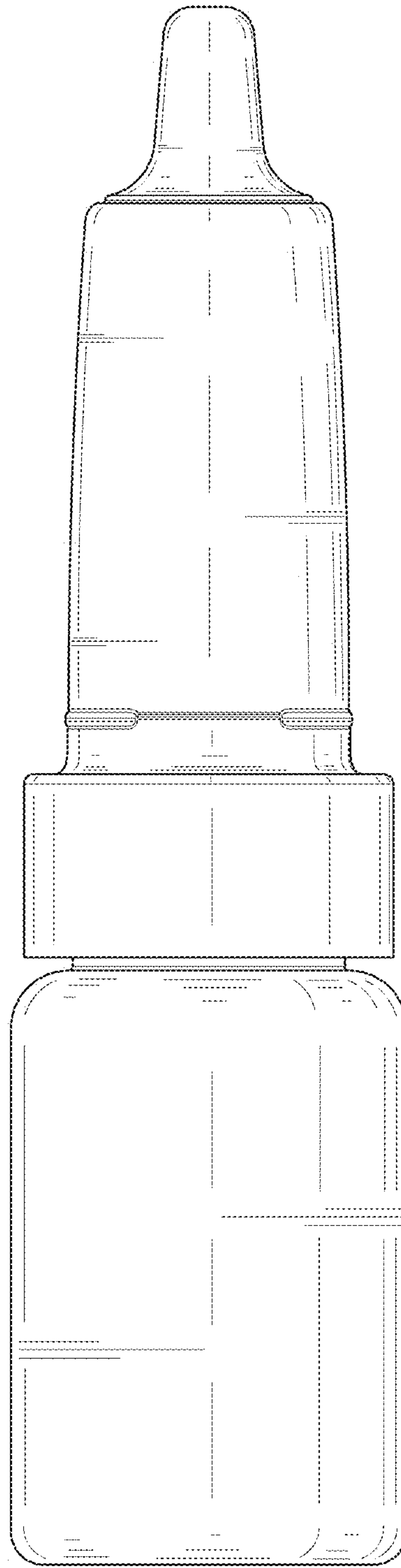
**FIG. 1**



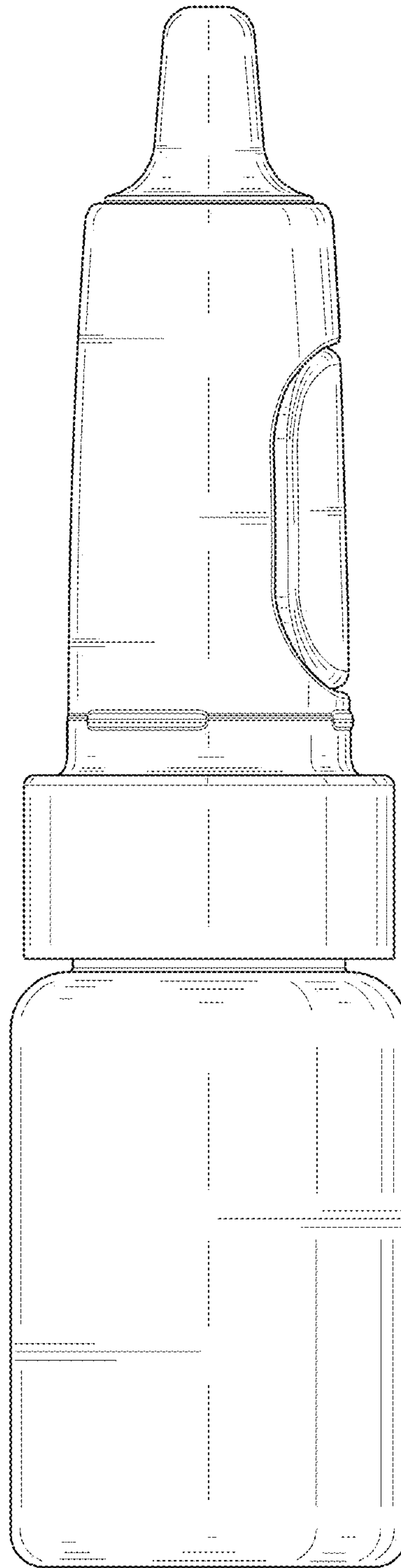
**FIG. 2**



**FIG. 3**

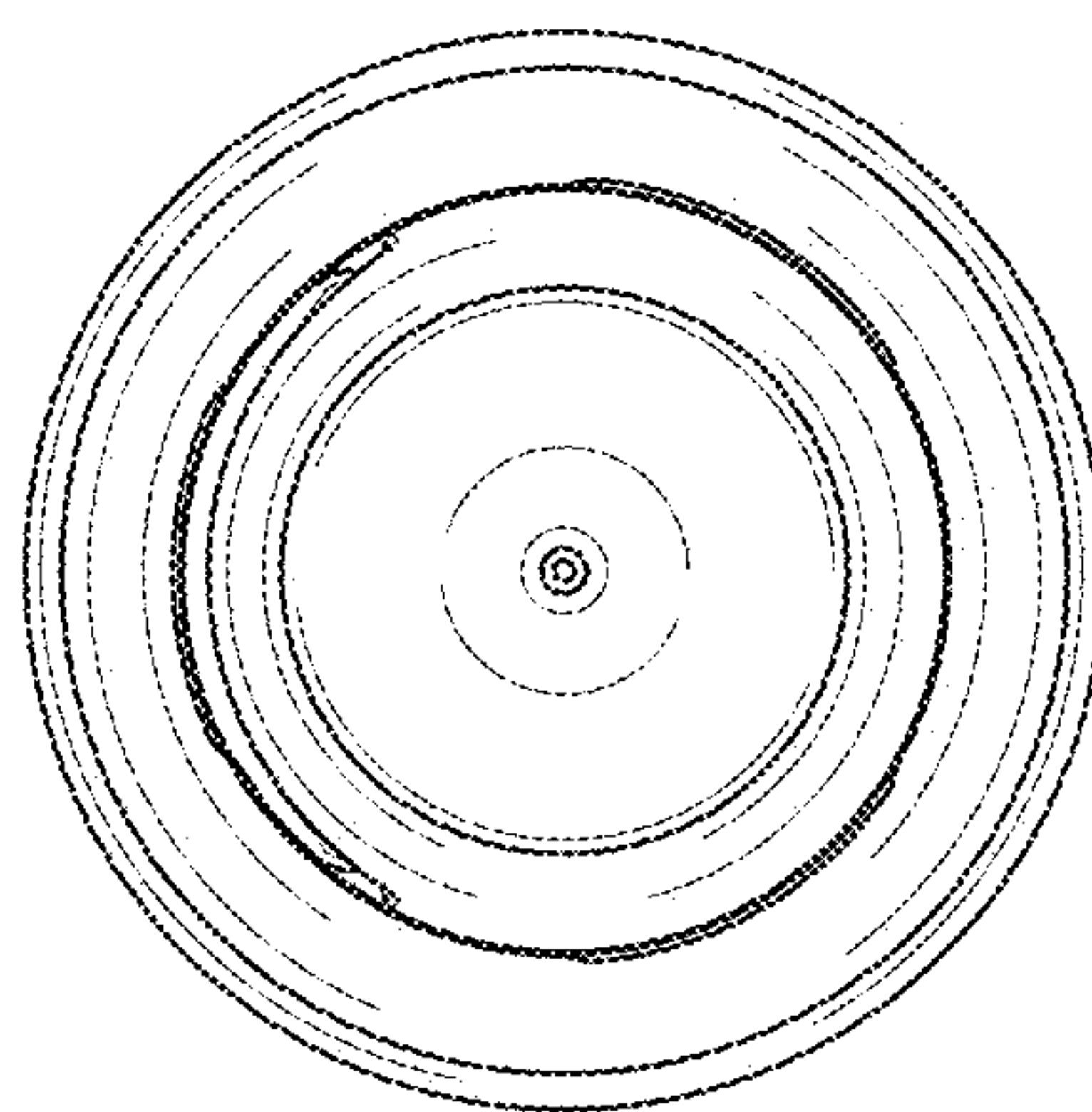


**FIG. 4**

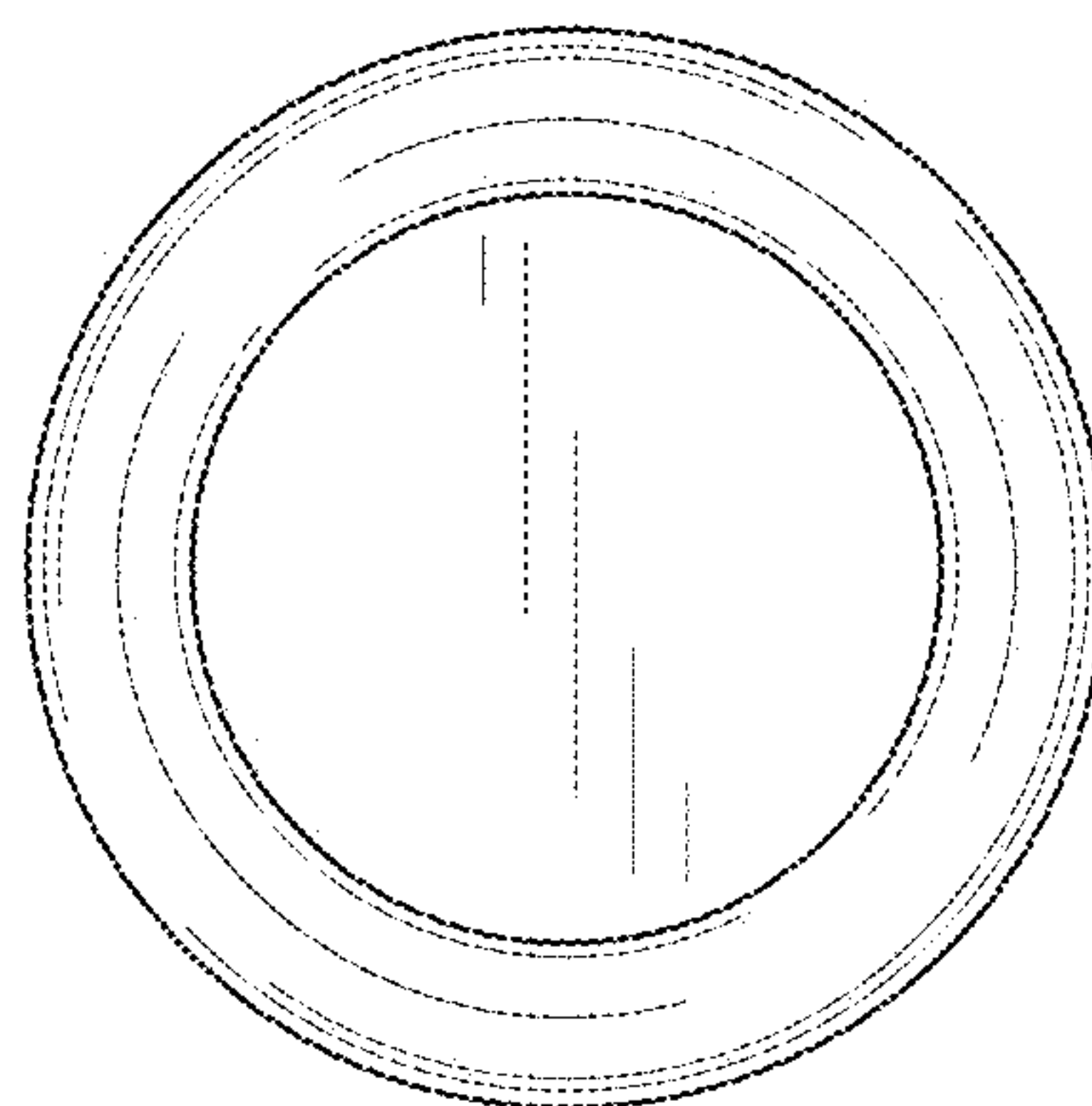


**FIG. 5**





**FIG. 6**



**FIG. 7**