



US00D881715S

(12) **United States Design Patent** (10) **Patent No.:** **US D881,715 S**
Tan (45) **Date of Patent:** **** Apr. 21, 2020**

(54) **SEALABLE WAVE BAG**

OTHER PUBLICATIONS

(71) Applicant: **Pan Pacific Plastics Mfg., Inc.**,
Hayward, CA (US)

Hin Siang Michael Tan, U.S. Appl. No. 29/661,712, filed Aug. 30, 2018.

(Continued)

(72) Inventor: **Hin Siang Michael Tan**, Danville, CA
(US)

Primary Examiner — Abraham Bahta

(74) *Attorney, Agent, or Firm* — Beyer Law Group LLP

(73) Assignee: **PAN PACIFIC PLASTICS MFG., INC.**, Hayward, CA (US)

(57) **CLAIM**

I claim the ornamental design for a sealable wave bag, substantially as shown and described.

(**) Term: **15 Years**

(21) Appl. No.: **29/693,676**

DESCRIPTION

(22) Filed: **Jun. 4, 2019**

Related U.S. Application Data

(63) Continuation of application No. 29/661,712, filed on Aug. 30, 2018, now Pat. No. Des. 855,475, which is
(Continued)

(51) **LOC (12) Cl.** **09-05**

(52) **U.S. Cl.**
USPC **D9/709**

(58) **Field of Classification Search**
USPC D9/702–714, 430–434, 423, 499;
D3/303, 202, 205, 221, 226, 246, 240,
(Continued)

(56) **References Cited**

U.S. PATENT DOCUMENTS

57,159 A 8/1866 Livermore
D241,321 S 9/1976 Paige
(Continued)

FOREIGN PATENT DOCUMENTS

AU 5715973 A 1/1975
BE 829266 9/1975
(Continued)

FIG. 1 is a front right perspective view of a sealable wave bag showing my new design.

FIG. 2 is a front view of the sealable wave bag of FIG. 1, the rear view being a mirror image thereof.

FIG. 3 is a left side view thereof, the right side view being a mirror image thereof.

FIG. 4 is a top view thereof.

FIG. 5 is a bottom view thereof.

FIG. 6 is an interior view of a rear sheet-like panel, taken along the plane of the line 6-6 in FIG. 3.

FIG. 7 is an interior view of a front sheet-like panel, taken along the plane of the line 7-7 in FIG. 3.

FIG. 8 is a front right perspective view of the sealable wave bag of FIG. 1, illustrating the sealable wave bag in an opened position.

FIG. 9 is a front left perspective view thereof.

FIG. 10 is a front right perspective view of the opened sealable wave bag of FIG. 8, illustrating the opened sealable wave bag with a front handle flap folded down.

FIG. 11 is a front right perspective view of the opened sealable wave bag of FIG. 8, illustrating the opened sealable wave bag with both the front and a rear handle flap folded down.

FIG. 12 is a front right perspective view of the opened sealable wave bag of FIG. 10, illustrating content, shown in dash-dot-dash lines, contained in the opened sealable wave bag, as well as partial removal of a protective cover over an adhesive seal; and,

(Continued)

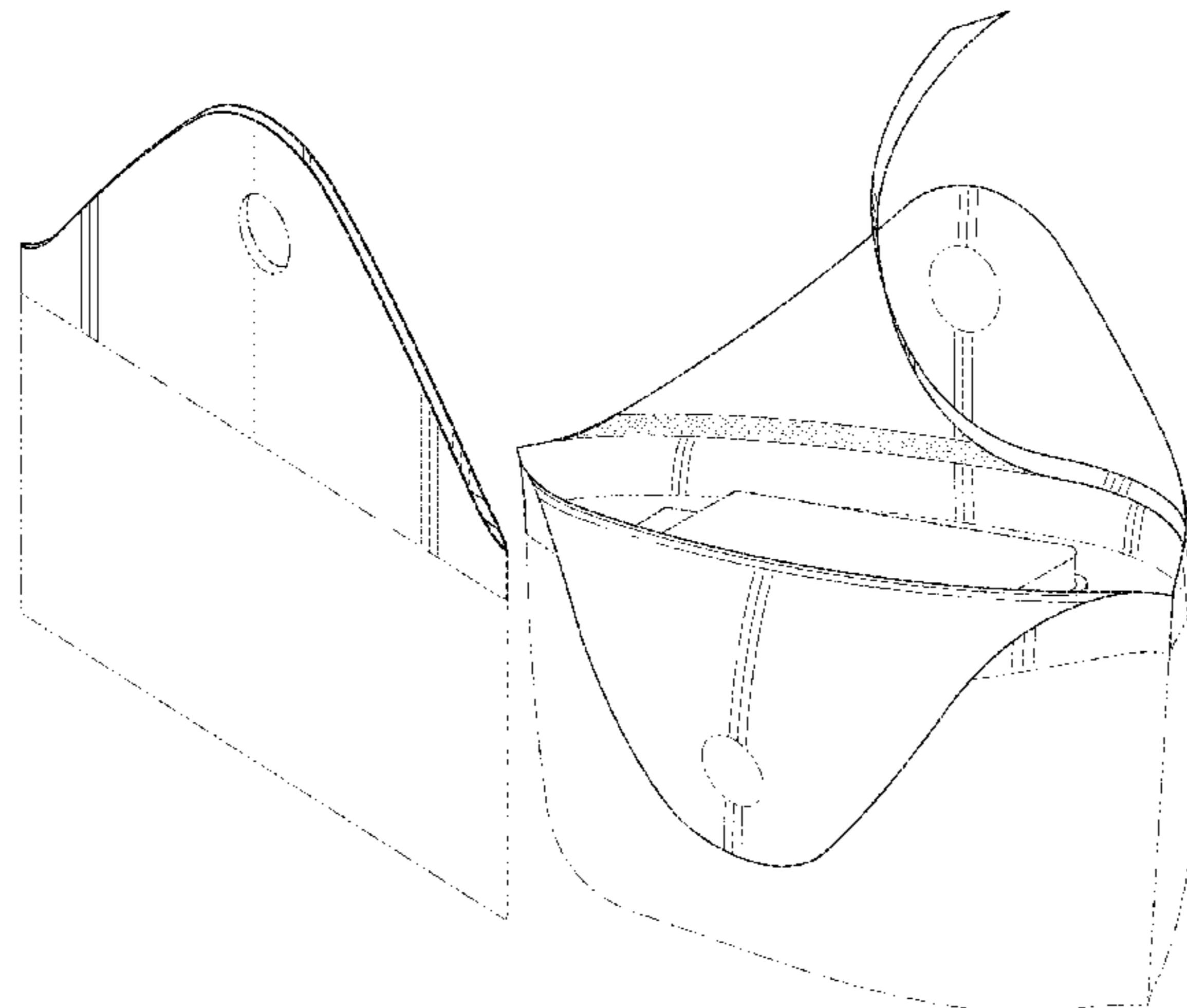


FIG. 13 is a front right perspective view of the sealable wave bag of FIG. 12, illustrating the front and rear handle flaps sealed together by the adhesive seal at the region generally represented by the two horizontal parallel lines.

The dash-dot-dot-dash lines in the Figures show portions of the sealable wave bag which form no part of the claimed design.

The dash-dot-dash line showing of content within the sealable wave bag is included for the purpose of illustrating environmental structure and forms no part of the claimed design.

The shade lines in the Figures show contours and not surface ornamentation.

1 Claim, 11 Drawing Sheets

Related U.S. Application Data

a continuation of application No. 29/611,777, filed on Jul. 25, 2017, now Pat. No. Des. 830,850, which is a continuation of application No. 15/388,740, filed on Dec. 22, 2016, which is a continuation-in-part of application No. 15/374,764, filed on Dec. 9, 2016, now abandoned.

(58) **Field of Classification Search**

USPC D3/304-315, 201, 276; 383/6, 105-120, 383/127, 10; 220/915.1, 915.2, 592.01, 220/773, 755; D7/601, 605-607, D7/709-710, 393, 394, 395, 602, 622, D7/624.2; 206/139, 428, 488, 427, 433, 206/434, 432; 229/117.19, 116.5, 923, 229/87.03, 87.18, 87.19, 117.09; 150/100, 107; 493/226; 215/399, 396
CPC B65D 33/00; B65D 33/12; B65D 33/16; B65D 31/00; B65D 31/10; B65D 5/00; B65D 5/06; A45C 1/00; A45C 1/02; A45C 3/06; A45C 3/00; A45C 3/10
See application file for complete search history.

(56) **References Cited**

U.S. PATENT DOCUMENTS

4,125,220 A 11/1978 Suominen
4,216,899 A 8/1980 Kamp

D258,204 S 2/1981 Rudenschold
4,717,262 A 1/1988 Roen
4,759,643 A 7/1988 Canno
4,877,335 A 10/1989 Barnard
4,932,791 A 6/1990 Vetter
5,045,040 A 9/1991 Vetter
5,338,118 A 8/1994 DeMatteis
D404,203 S 1/1999 Maier-Aichen
D684,369 S 6/2013 Daigle
D706,030 S 6/2014 Wang
D755,510 S 5/2016 Haast
D782,918 S * 4/2017 Ross D9/705
D784,157 S 4/2017 Ross
D796,967 S 9/2017 Abang, Jr.
D830,850 S * 10/2018 Tan B65B 7/02
D9/709

2003/0232112 A1 12/2003 Whitmore
2004/0042688 A1 3/2004 Lee
2006/0017279 A1 1/2006 Wu
2007/0031067 A1 2/2007 Gebhardt
2008/0063325 A1 3/2008 Miller et al.
2008/0247683 A1 10/2008 Schmal et al.
2009/0226121 A1 9/2009 Veder
2014/0241847 A1 8/2014 Short
2015/0197388 A1 7/2015 Maglio, Jr.
2016/0229613 A1 8/2016 Morofuji
2018/0162600 A1 6/2018 Tan
2018/0162601 A1 6/2018 Tan
2018/0162603 A1 6/2018 Tan

FOREIGN PATENT DOCUMENTS

DE 102013020683 12/2013
JP 2016098039 5/2016

OTHER PUBLICATIONS

International Application No. PCT/US2017/064767 filed Dec. 5, 2017.
U.S. Office Action, U.S. Appl. No. 15/832,412 dated Feb. 6, 2018.
U.S. Office Action, U.S. Appl. No. 15/832,412 dated Jun. 11, 2018.
U.S. Final Office Action, U.S. Appl. No. 15/832,412 dated Nov. 16, 2018.
IPS Industries, "Tamper Safe & Reusable" brochure, www.IPSPI.com, obtained in 2017, prior to Dec. 5, 2017.
Pak Sher, "IntegriLiner" brochure, www.paksher.com, obtained in 2017, prior to Dec. 5, 2017.
Pak Sher, "IntegriBag" brochure, www.paksher.com, obtained in 2017, prior to Dec. 5, 2017.
Hand-Carry Published May 30, 2016.

* cited by examiner

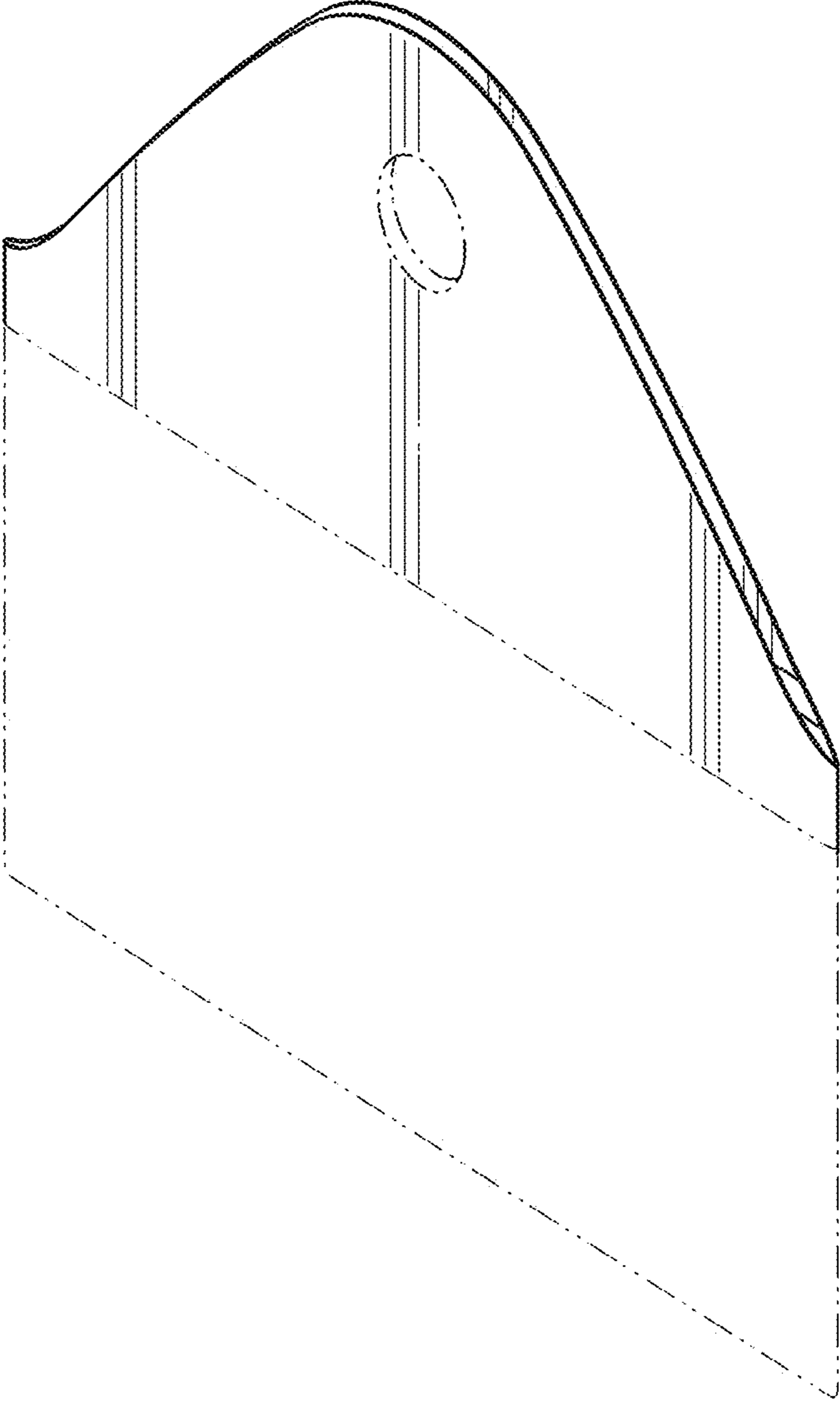


FIG. 1

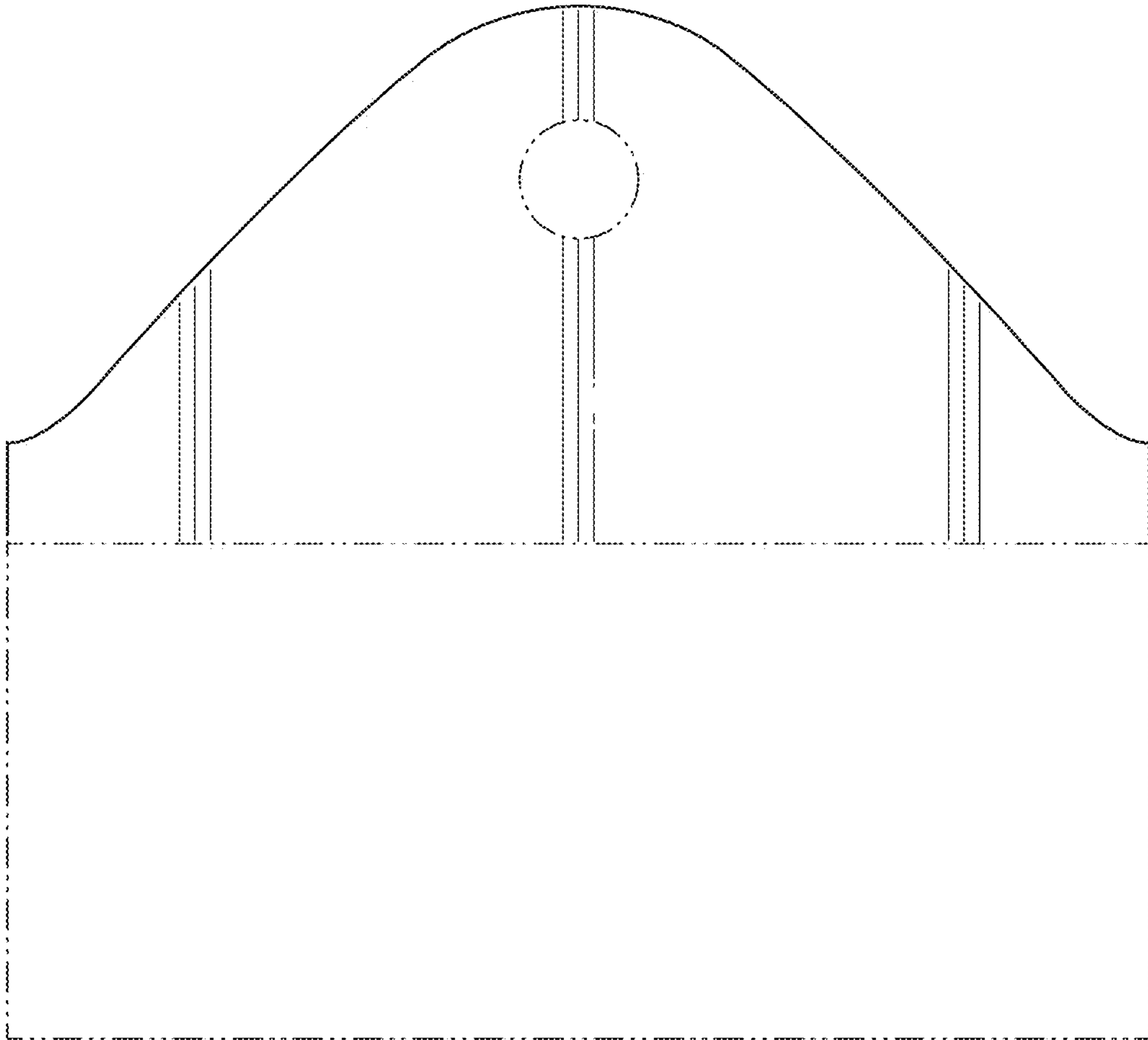


FIG. 2

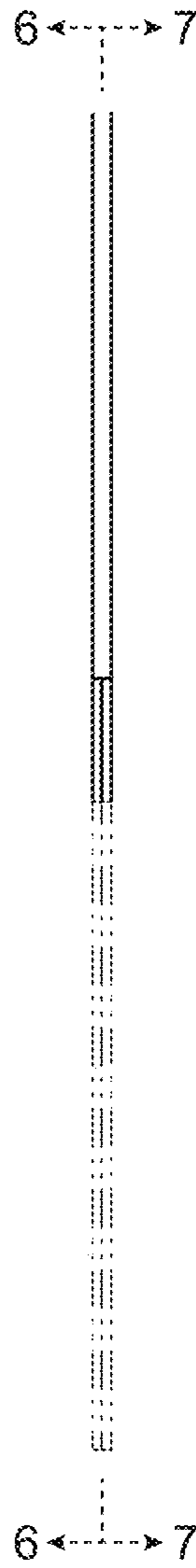


FIG. 3

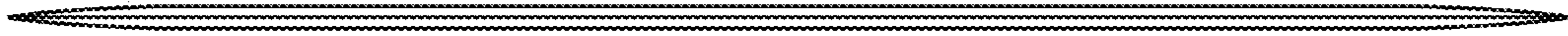


FIG. 4

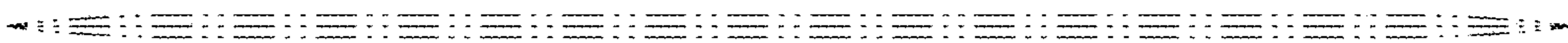


FIG. 5

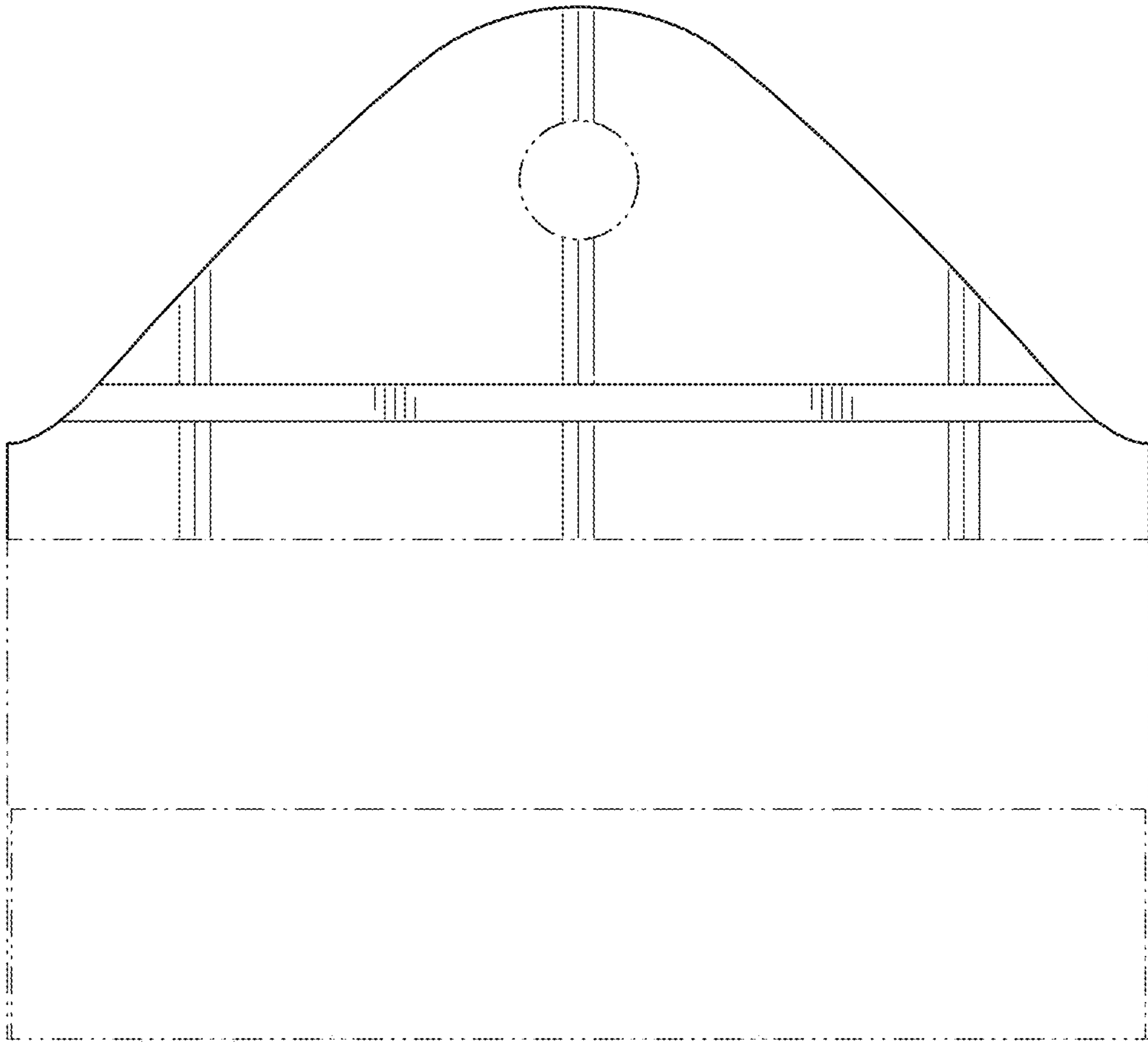


FIG. 6

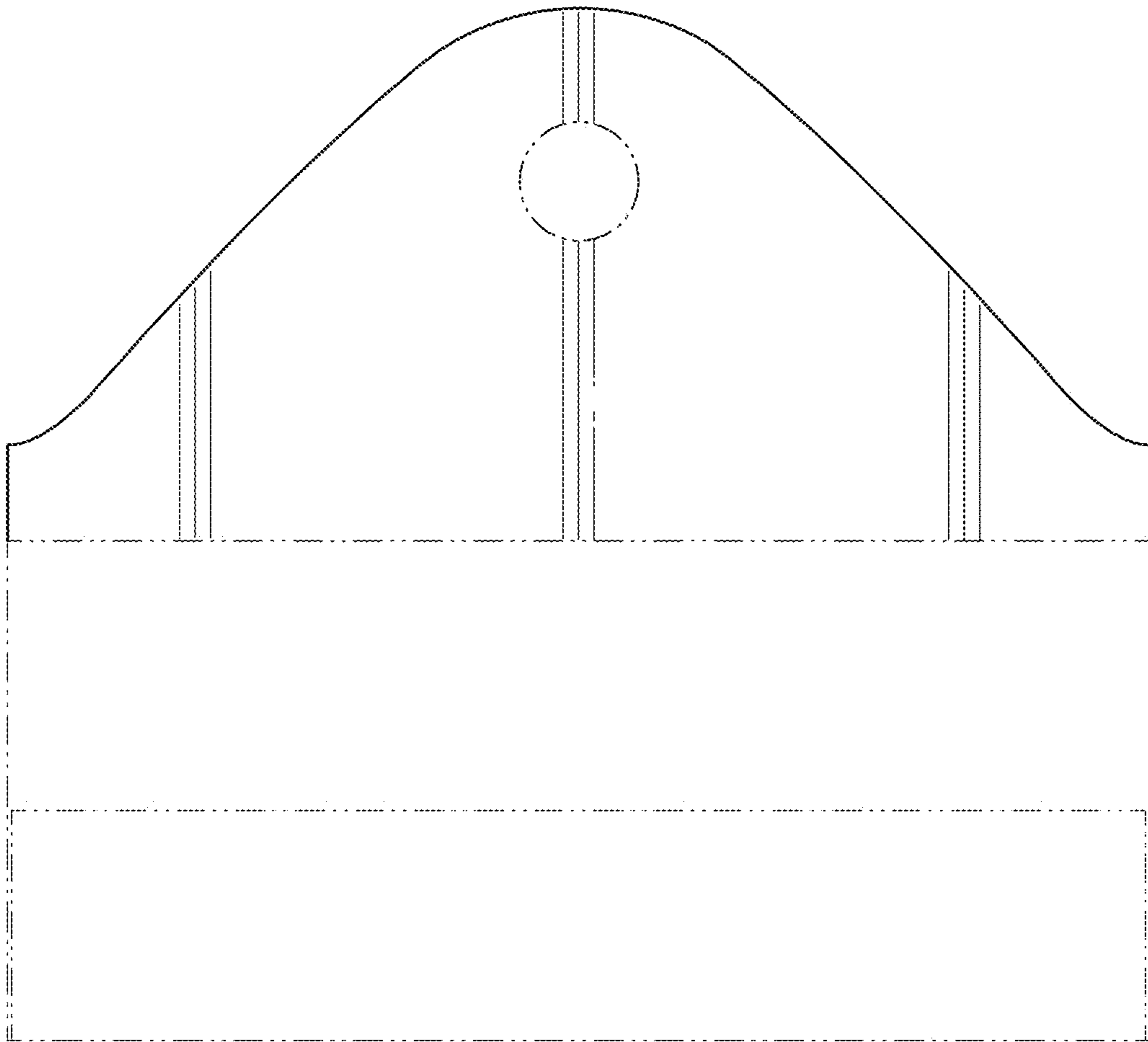


FIG. 7

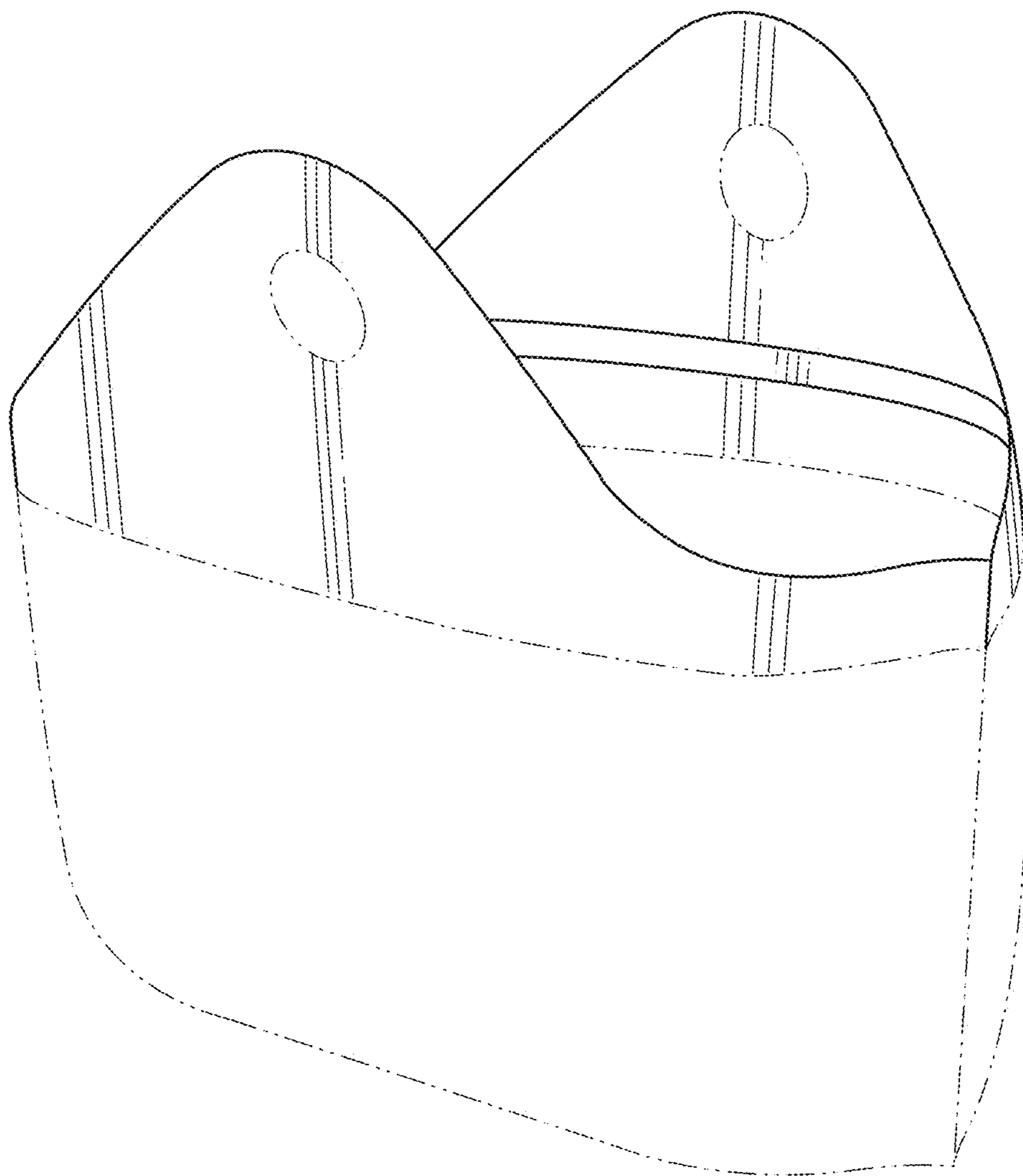


FIG. 8

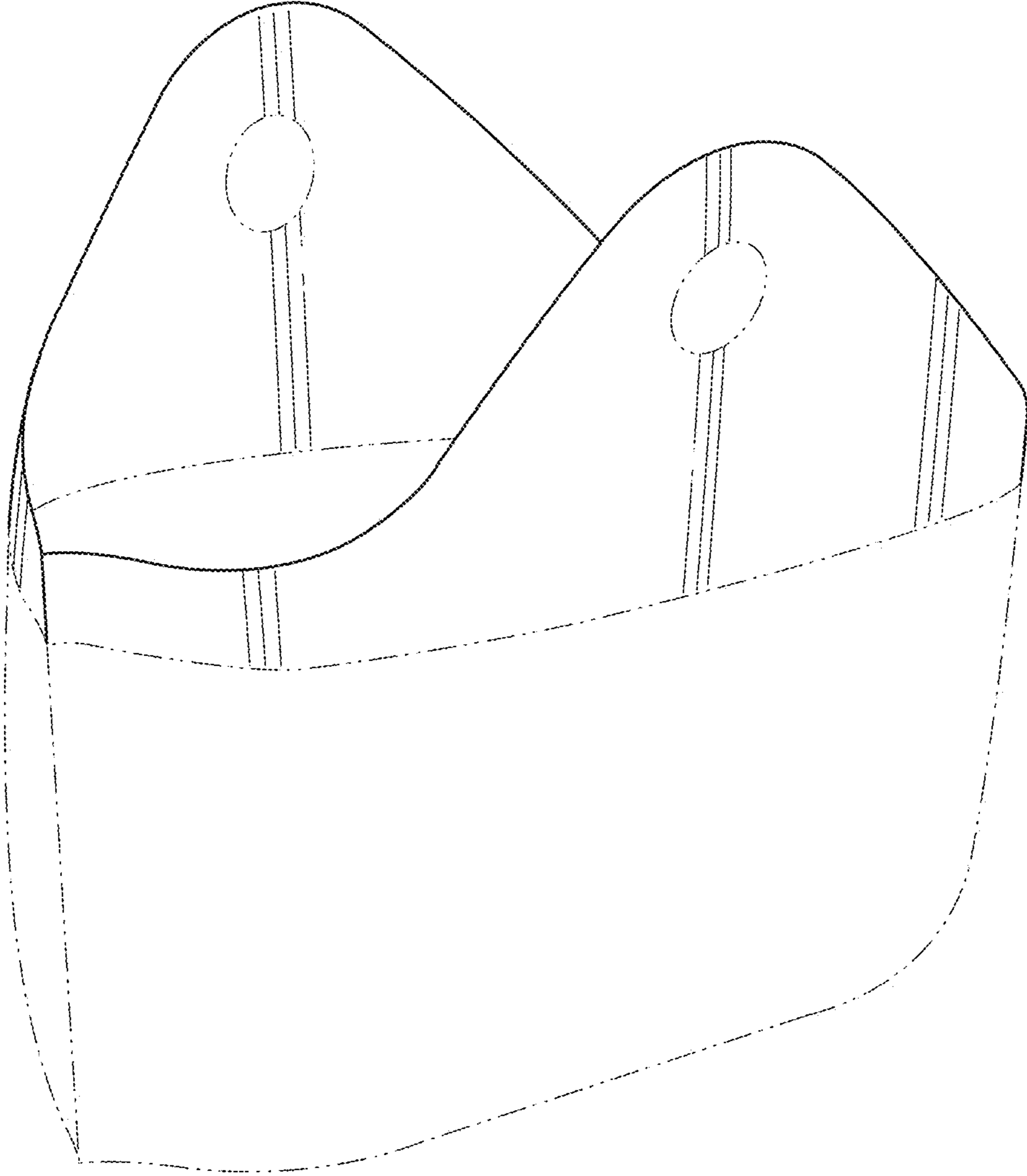


FIG. 9

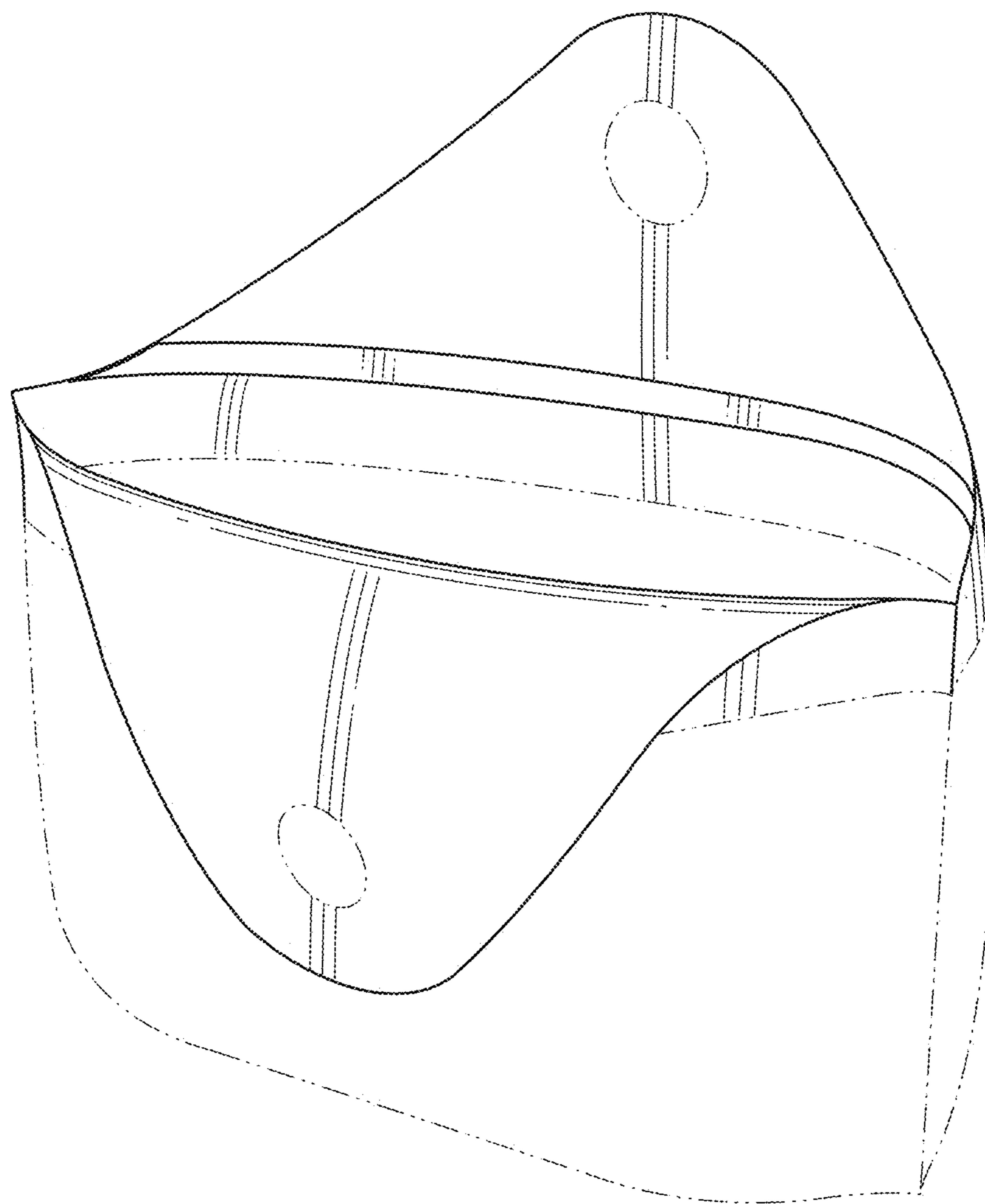


FIG. 10

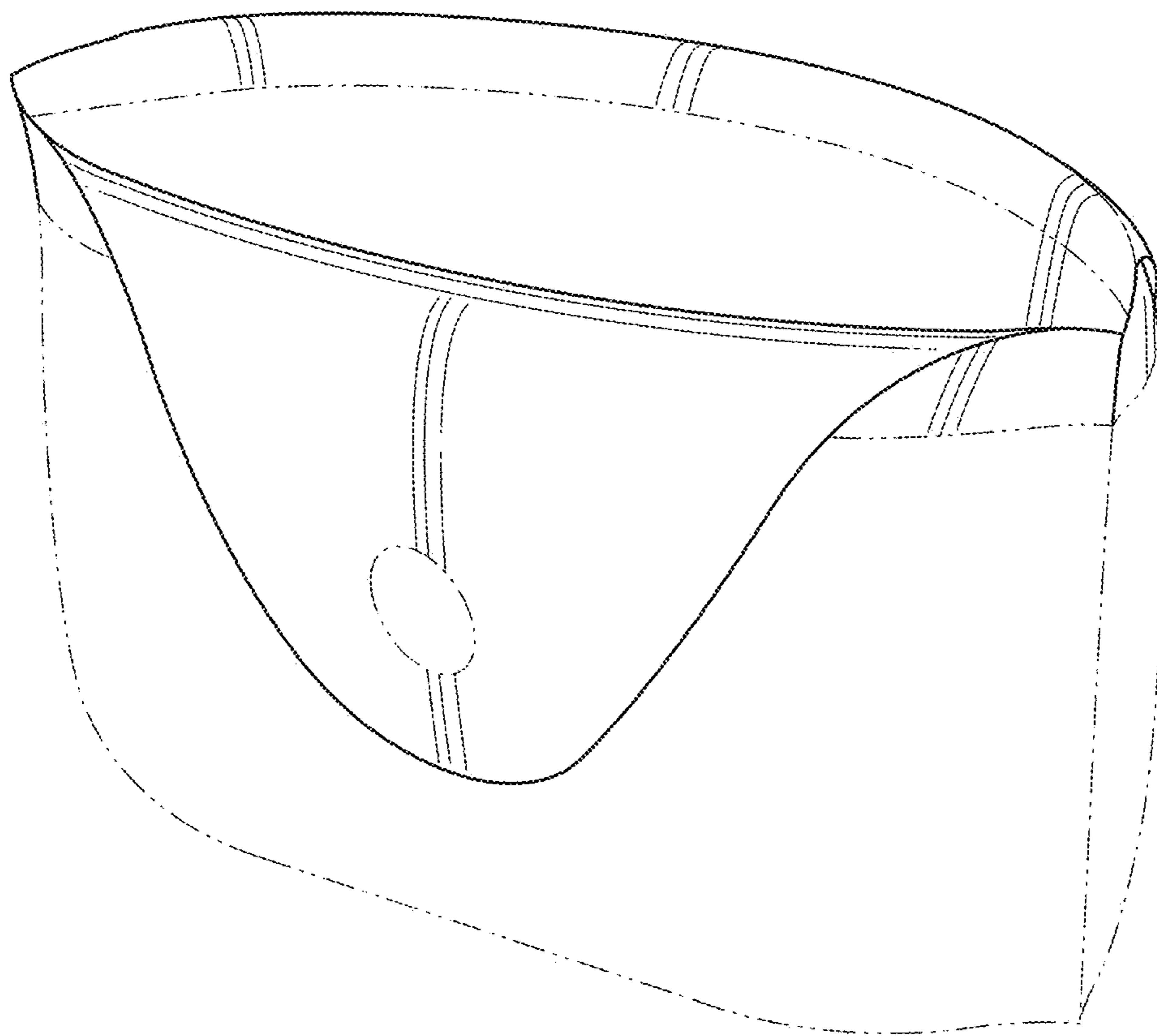


FIG. 11

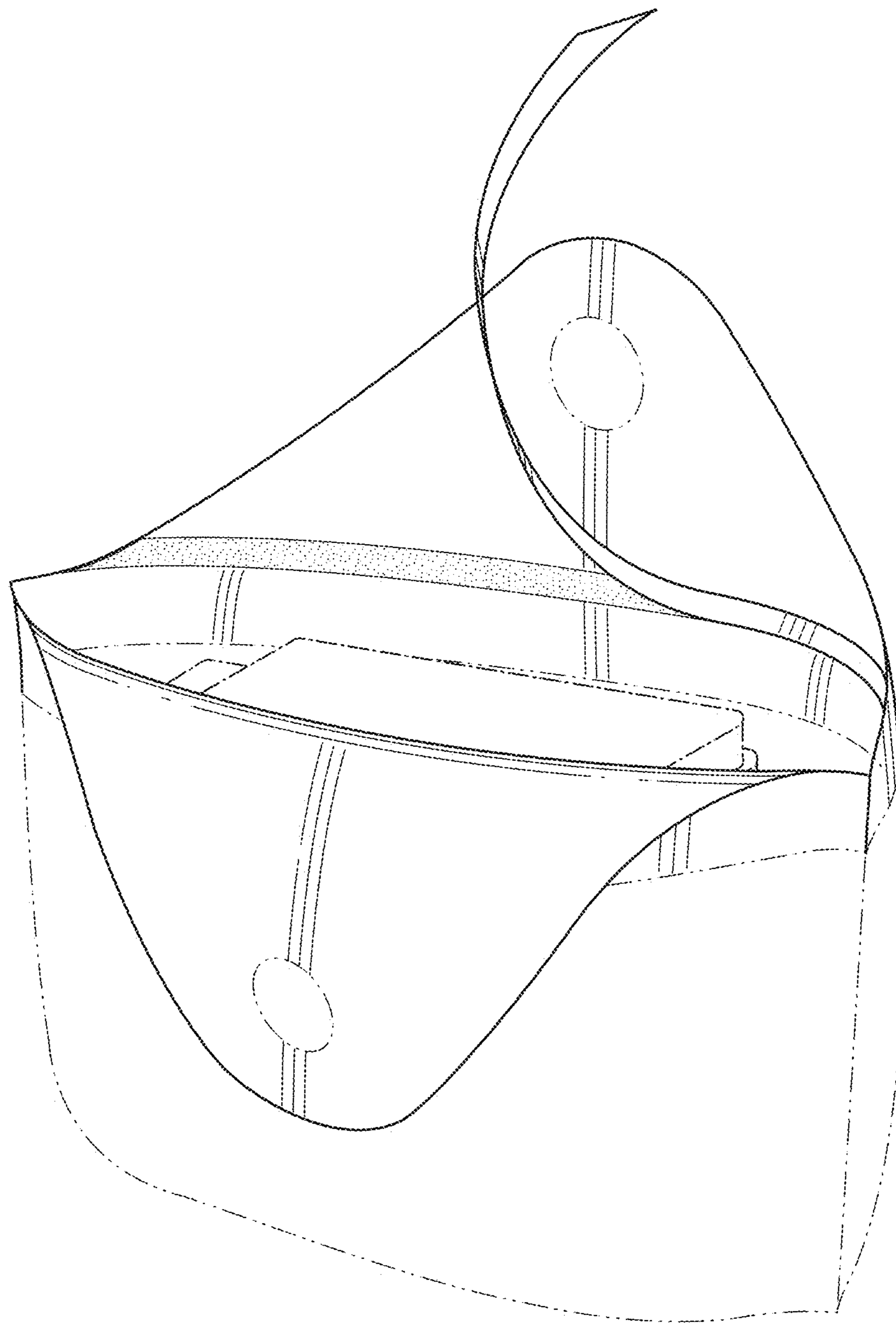


FIG. 12

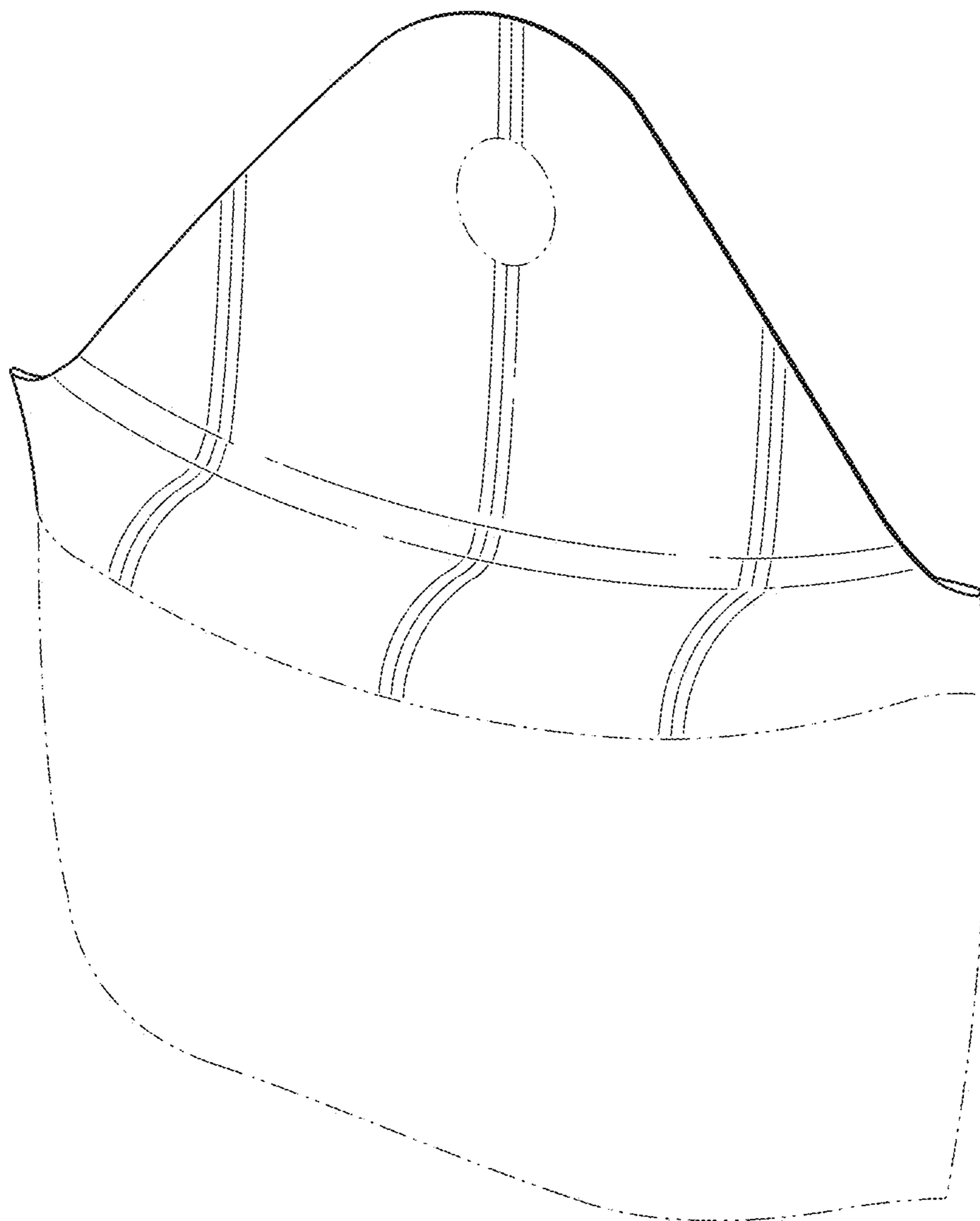


FIG. 13