



US00D881713S

(12) **United States Design Patent**
Young

(10) **Patent No.:** **US D881,713 S**

(45) **Date of Patent:** **** *Apr. 21, 2020**

- (54) **BASEBALL BAT BOTTLE**
- (71) Applicant: **Thomas A. Young**, Fletcher, NC (US)
- (72) Inventor: **Thomas A. Young**, Fletcher, NC (US)
- (*) Notice: This patent is subject to a terminal disclaimer.

D642,067 S *	7/2011	Azar	D21/725
D652,463 S *	1/2012	Hoff	D21/725
D656,209 S *	3/2012	Bonds	D21/725
D719,034 S *	12/2014	Sauczuk	D21/725
D732,870 S *	6/2015	Hollander	D7/300.2
D765,483 S *	9/2016	Knirr	D8/38
D816,414 S *	5/2018	Thompson et al.		
D826,727 S *	8/2018	Draper	A63B 59/50 D9/668

(**) Term: **15 Years**

* cited by examiner

(21) Appl. No.: **29/659,776**

Primary Examiner — Sandra L Morris

(22) Filed: **Aug. 13, 2018**

(74) *Attorney, Agent, or Firm* — Luedeka Neely Group, P.C.

(51) **LOC (12) Cl.** **09-01**

(52) **U.S. Cl.**

(57) **CLAIM**

USPC **D9/668**; D21/725

The ornamental design for a baseball bat bottle, as shown and described.

(58) **Field of Classification Search**

DESCRIPTION

USPC D7/514–520, 539, 571, 301, 599, 604,
D7/613, 619.2, 623, 625, 628, 392.1;
D9/600, 668, 500–516, 544–546, 554;
206/494, 457, 459.1, 459.2; 220/890;
215/206, 260, 387–400; D21/725;
473/457

FIG. 1 is a perspective view of a baseball bat bottle of my new design;
FIG. 2 is a side elevational view of the baseball bat bottle of FIG. 1;
FIG. 3 is a second side elevational view, rotated with respect to the view of FIG. 2;
FIG. 4 is a third side elevational view, rotated with respect to the view of FIG. 3;
FIG. 5 is a fourth side elevational view, rotated with respect to the view of FIG. 4;
FIG. 6 is a top plan view of the baseball bat bottle of FIG. 1; and,
FIG. 7 is a bottom plan view of the baseball bat bottle of FIG. 1.

CPC B65D 67/00; B65D 81/36; B65D 81/366;
B65D 41/00; B65D 41/02; B65D 43/00;
B65D 43/02; B65D 5/42; A63H 33/10;
A63B 59/50

See application file for complete search history.

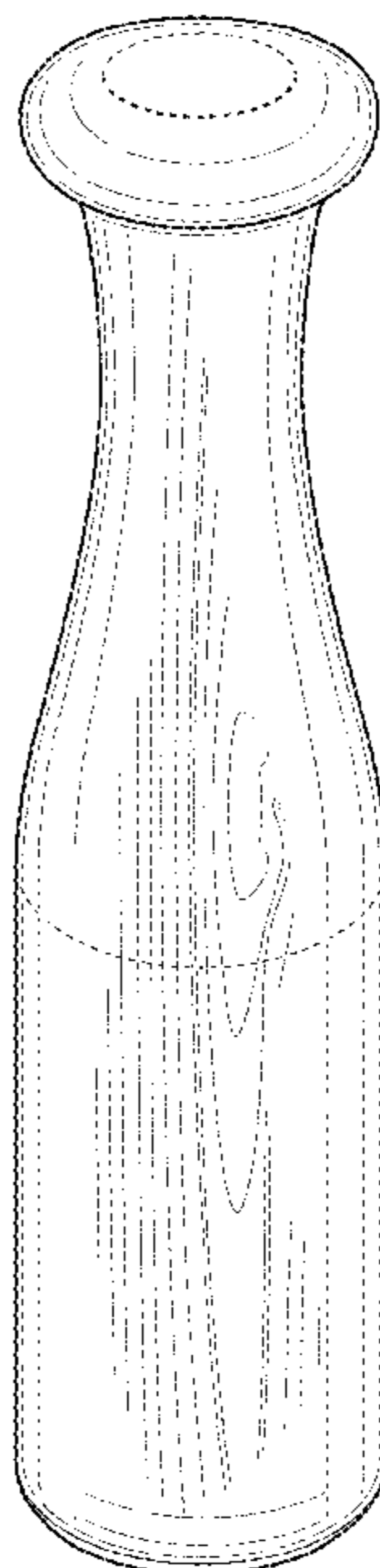
The broken lines in the drawings are included for the purpose of illustrating potential environmental structure and form no part of the claimed design.

(56) **References Cited**

U.S. PATENT DOCUMENTS

4,274,631 A *	6/1981	Hayazaki	A63B 59/50 473/457
D378,275 S *	3/1997	Rusnock	D9/554
D419,378 S *	1/2000	Madden	D7/515
D421,567 S *	3/2000	Caporella	D9/668
D476,054 S *	6/2003	Palmisciano, Jr.	D21/725
D526,034 S *	8/2006	Davis	D21/725

1 Claim, 3 Drawing Sheets



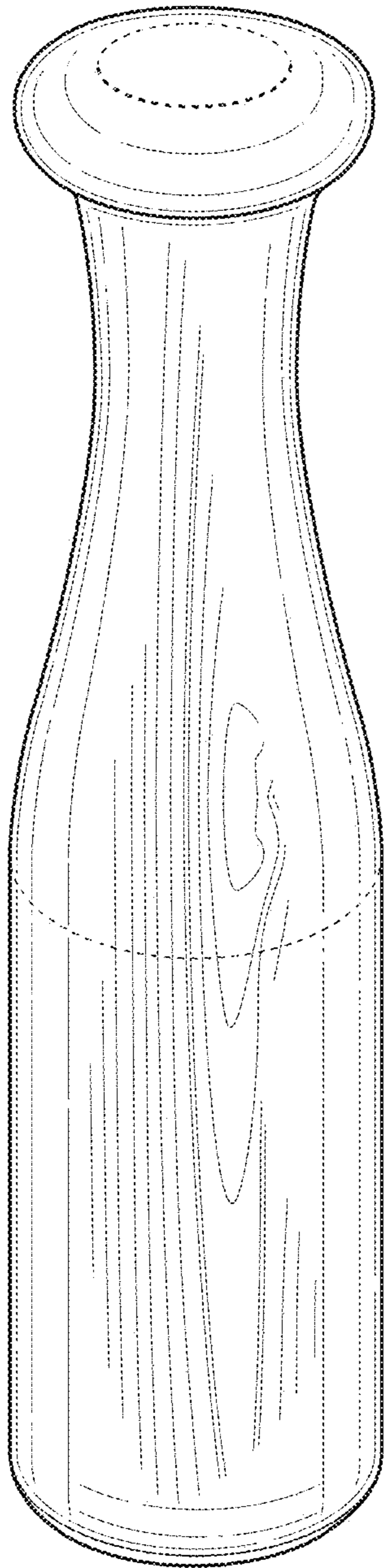


FIG. 1

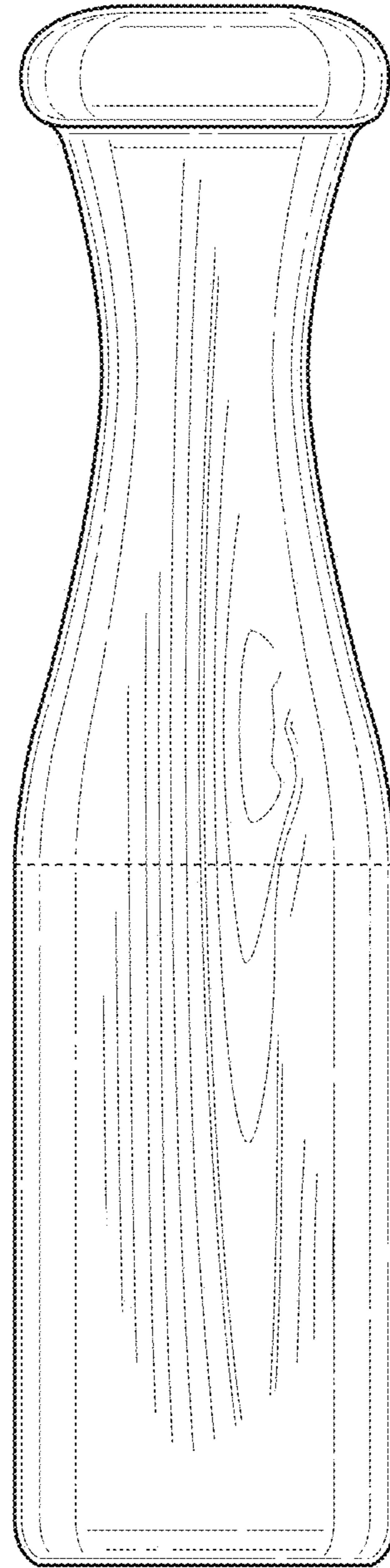


FIG. 2

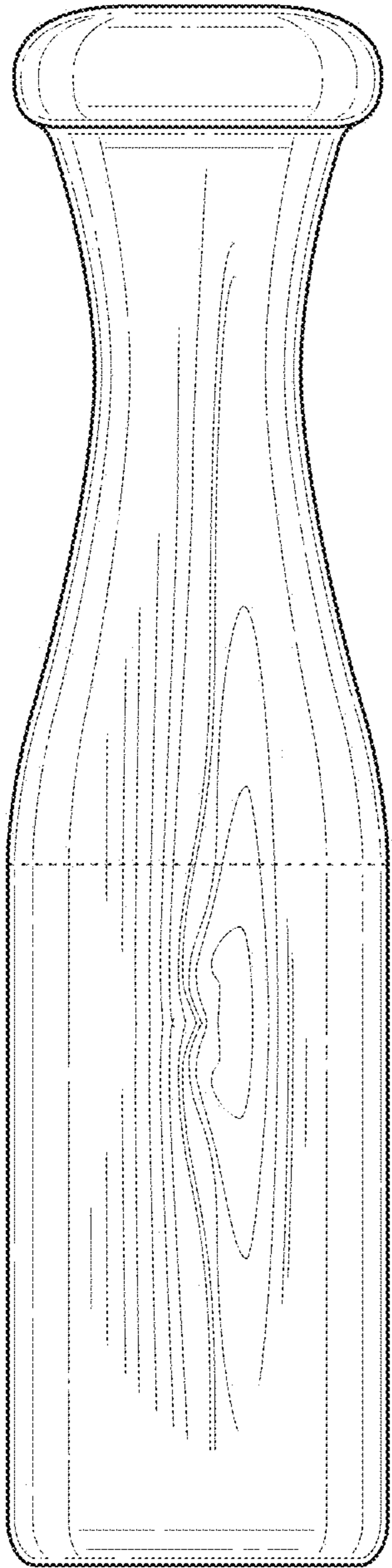


FIG. 3

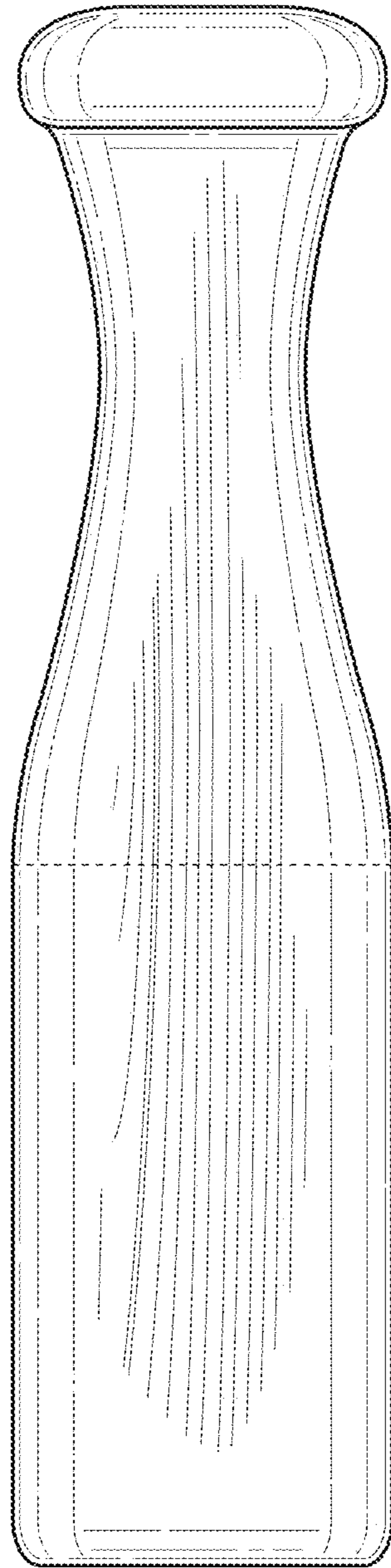


FIG. 4

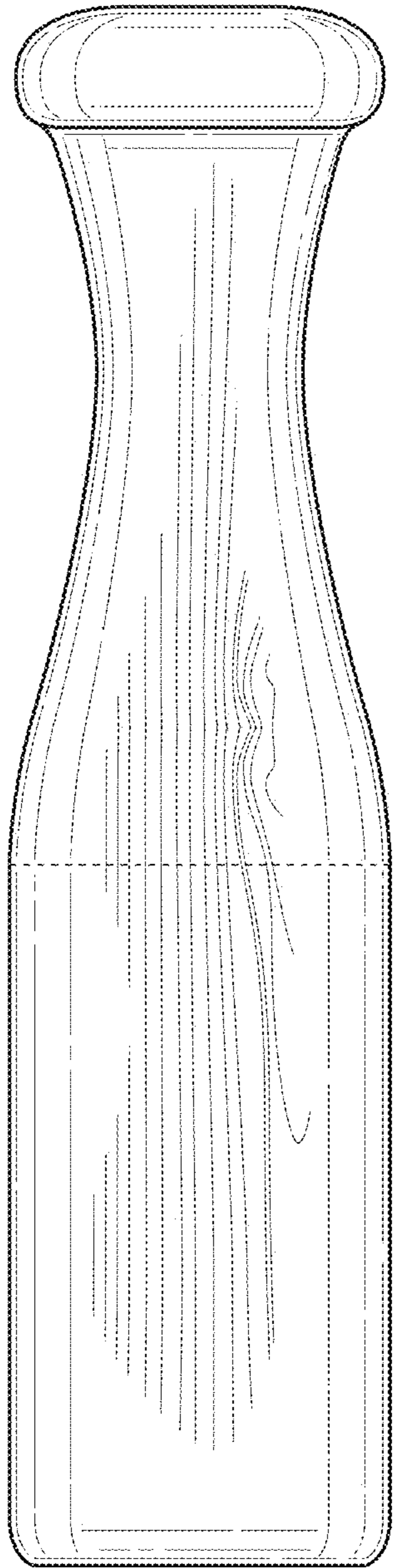


FIG. 5

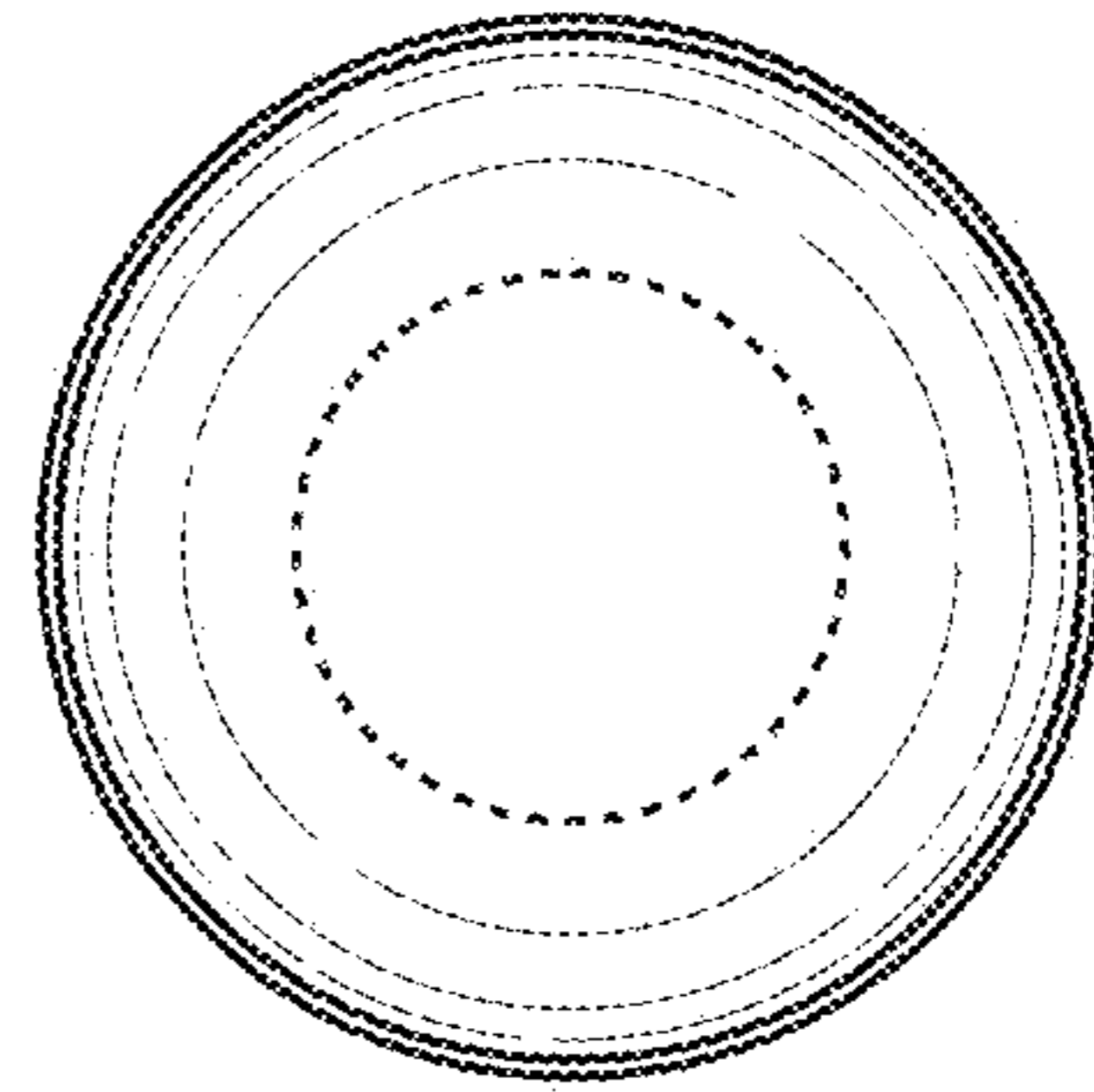


FIG. 6

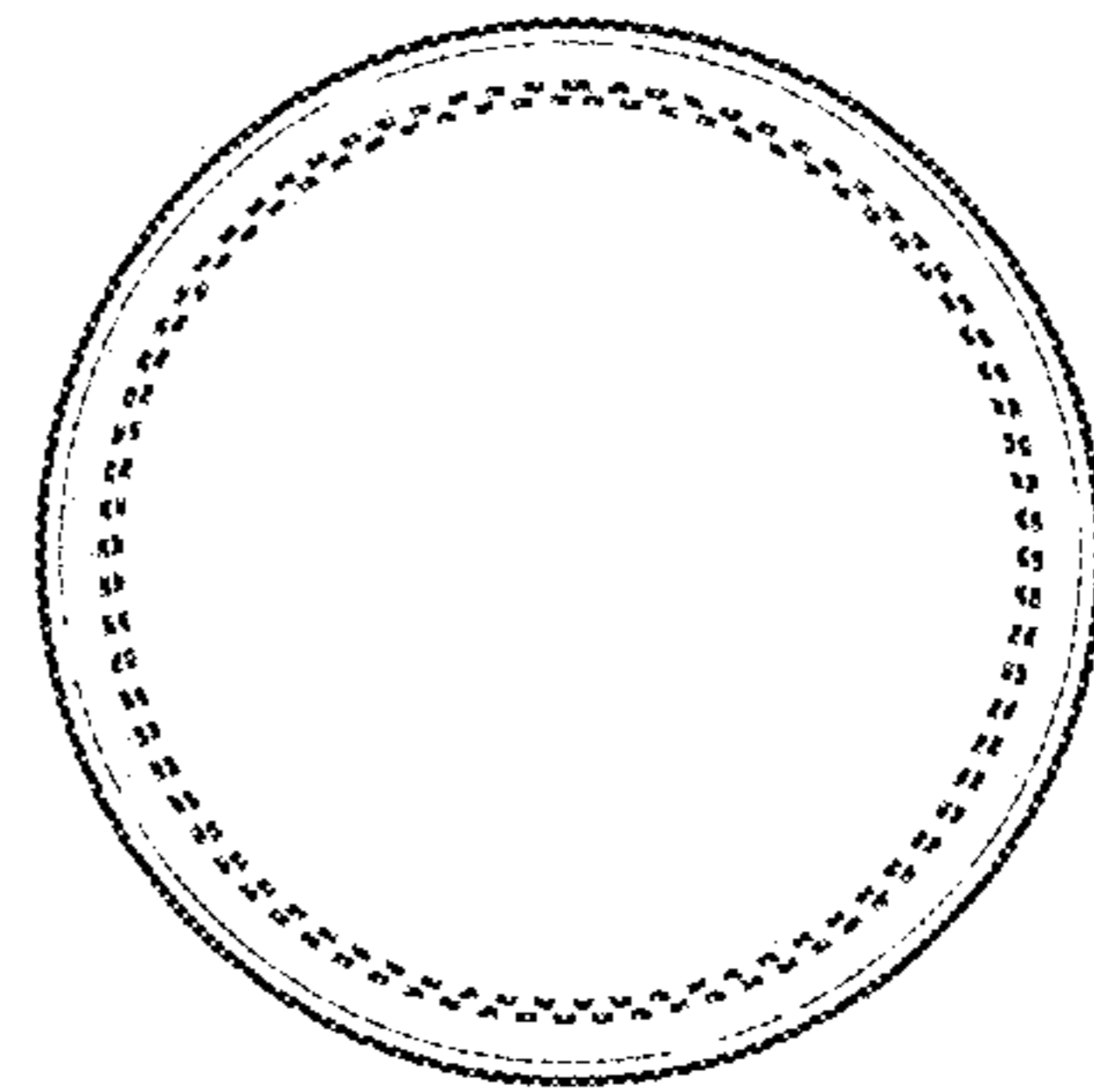


FIG. 7