



US00D881712S

(12) **United States Design Patent** (10) **Patent No.:** **US D881,712 S**  
**Young** (45) **Date of Patent:** **\*\* \*Apr. 21, 2020**

(54) **BASEBALL BAT BOTTLE**  
(71) Applicant: **Thomas A. Young**, Fletcher, NC (US)  
(72) Inventor: **Thomas A. Young**, Fletcher, NC (US)  
(\* ) Notice: This patent is subject to a terminal disclaimer.

D642,067 S \* 7/2011 Azar ..... D21/725  
D652,463 S \* 1/2012 Hoff ..... D21/725  
D656,209 S \* 3/2012 Bonds ..... D21/725  
D719,034 S \* 12/2014 Sauczuk ..... D21/725  
D732,870 S \* 6/2015 Hollander ..... D7/300.2  
D765,483 S \* 9/2016 Knirr ..... D8/38  
D816,414 S \* 5/2018 Thompson et al.  
D826,727 S \* 8/2018 Draper ..... A63B 59/50  
D9/668

(\*\*) Term: **15 Years**

\* cited by examiner

(21) Appl. No.: **29/659,775**

*Primary Examiner* — Sandra L Morris

(22) Filed: **Aug. 13, 2018**

(74) *Attorney, Agent, or Firm* — Luedeka Neely Group, P.C.

(51) **LOC (12) Cl.** ..... **09-01**

(57) **CLAIM**

(52) **U.S. Cl.**  
USPC ..... **D9/668; D21/725**

The ornamental design for a baseball bat bottle, as shown and described.

(58) **Field of Classification Search**  
USPC ..... D7/514–520, 539, 571, 301, 599, 604,  
D7/613, 619.2, 623, 625, 628, 392.1;  
D9/600, 668, 500–516, 544–546, 554;  
206/494, 457, 459.1, 459.2; 220/890;  
215/206, 260, 387–400; D21/725;  
473/457  
CPC ..... B65D 67/00; B65D 81/36; B65D 81/366;  
B65D 41/00; B65D 41/02; B65D 43/00;  
B65D 43/02; B65D 5/42; A63H 33/10;  
A63B 59/50  
See application file for complete search history.

**DESCRIPTION**

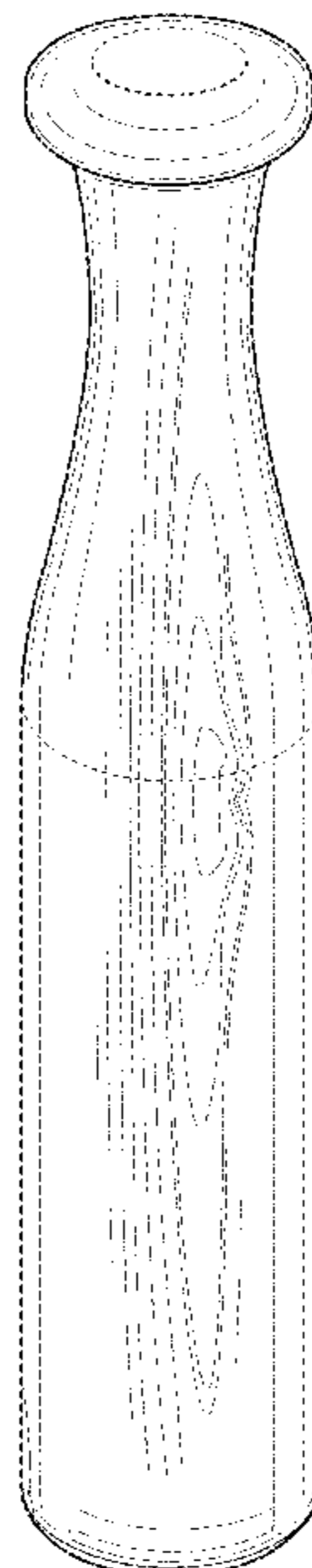
FIG. 1 is a perspective view of a baseball bat bottle of my new design;  
FIG. 2 is a side elevational view of the baseball bat bottle of FIG. 1;  
FIG. 3 is a second side elevational view, rotated with respect to the view of FIG. 2;  
FIG. 4 is a third side elevational view, rotated with respect to the view of FIG. 3;  
FIG. 5 is a fourth side elevational view, rotated with respect to the view of FIG. 4;  
FIG. 6 is a top plan view of the baseball bat bottle of FIG. 1; and,  
FIG. 7 is a bottom plan view of the baseball bat bottle of FIG. 1.  
The broken lines in the drawings are included for the purpose of illustrating potential environmental structure and form no part of the claimed design.

(56) **References Cited**

U.S. PATENT DOCUMENTS

4,274,631 A \* 6/1981 Hayazaki ..... A63B 59/50  
473/457  
D378,275 S \* 3/1997 Rusnock ..... D9/554  
D419,378 S \* 1/2000 Madden ..... D7/515  
D421,567 S \* 3/2000 Caporella ..... D9/668  
D476,054 S \* 6/2003 Palmisciano, Jr. .... D21/725  
D526,034 S \* 8/2006 Davis ..... D21/725

**1 Claim, 3 Drawing Sheets**



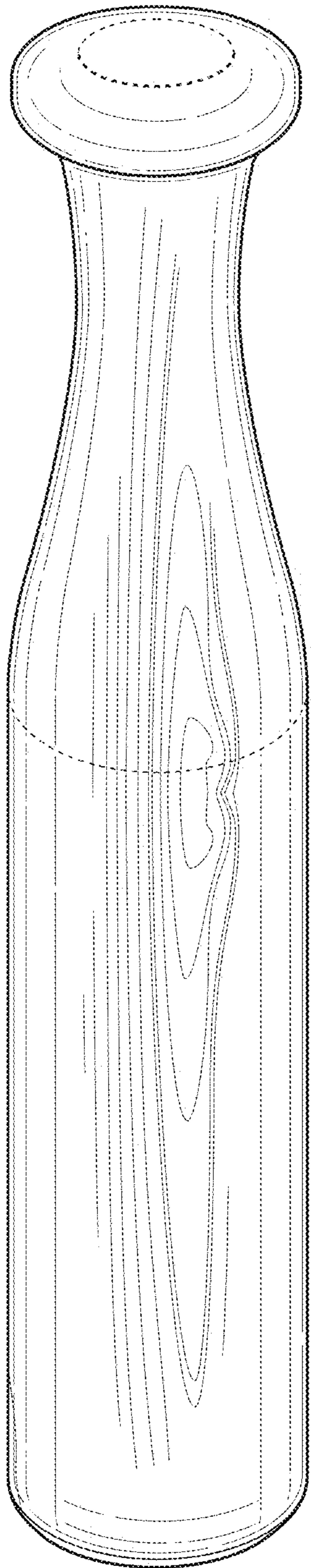


FIG. 1

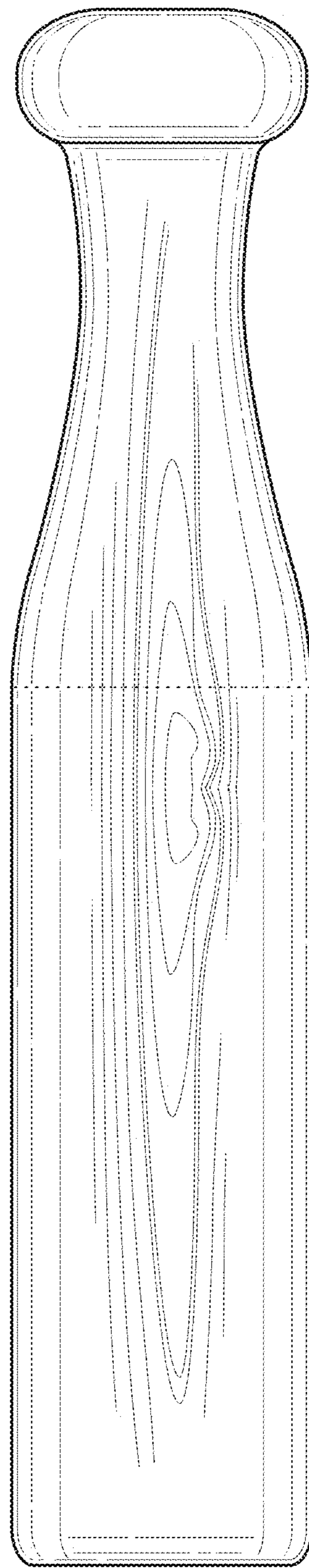
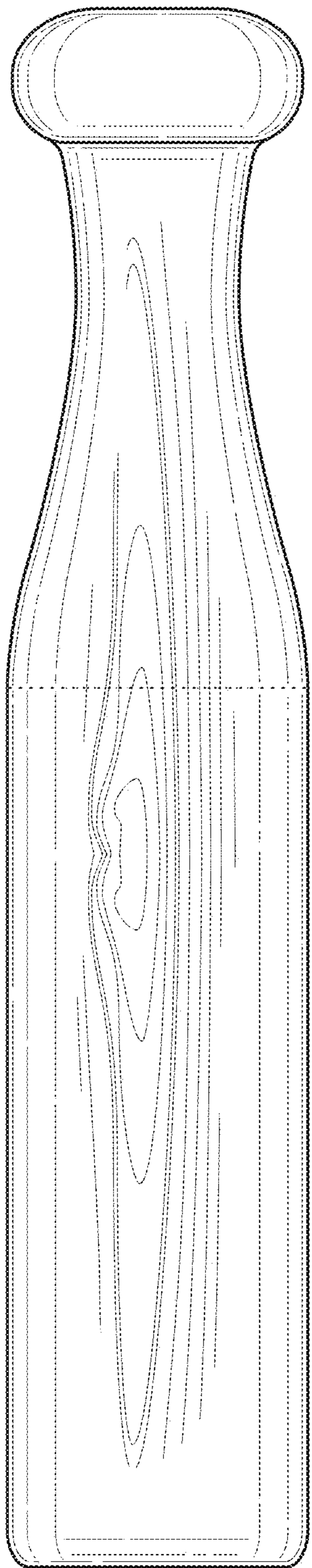
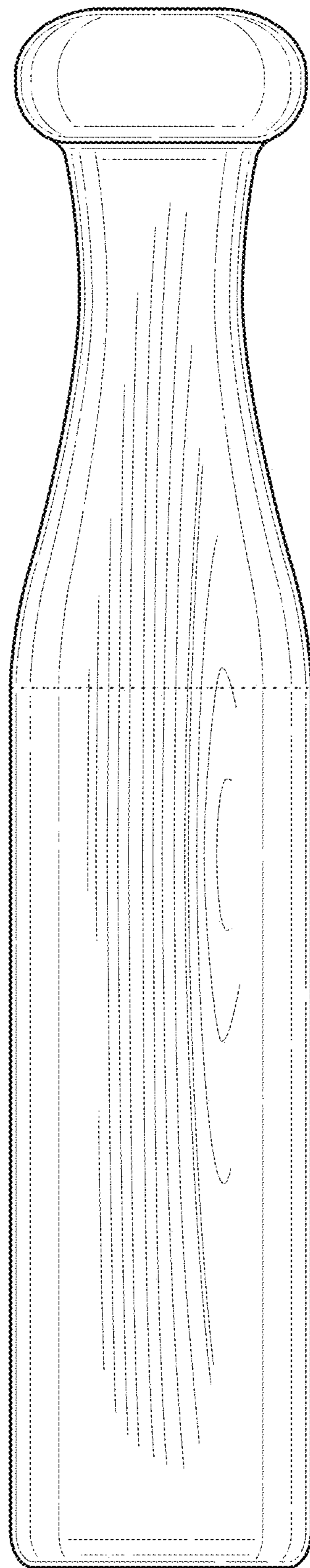


FIG. 2



**FIG. 3**



**FIG. 4**

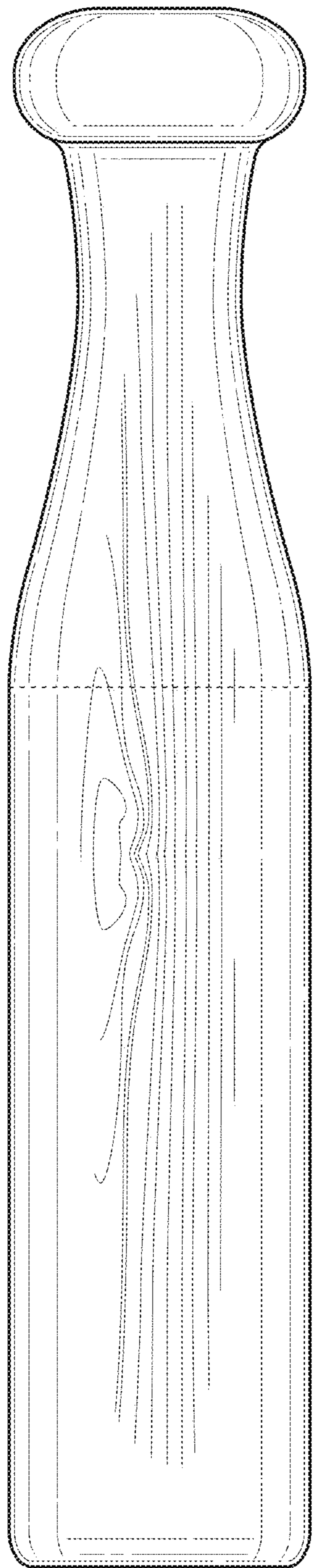


FIG. 5

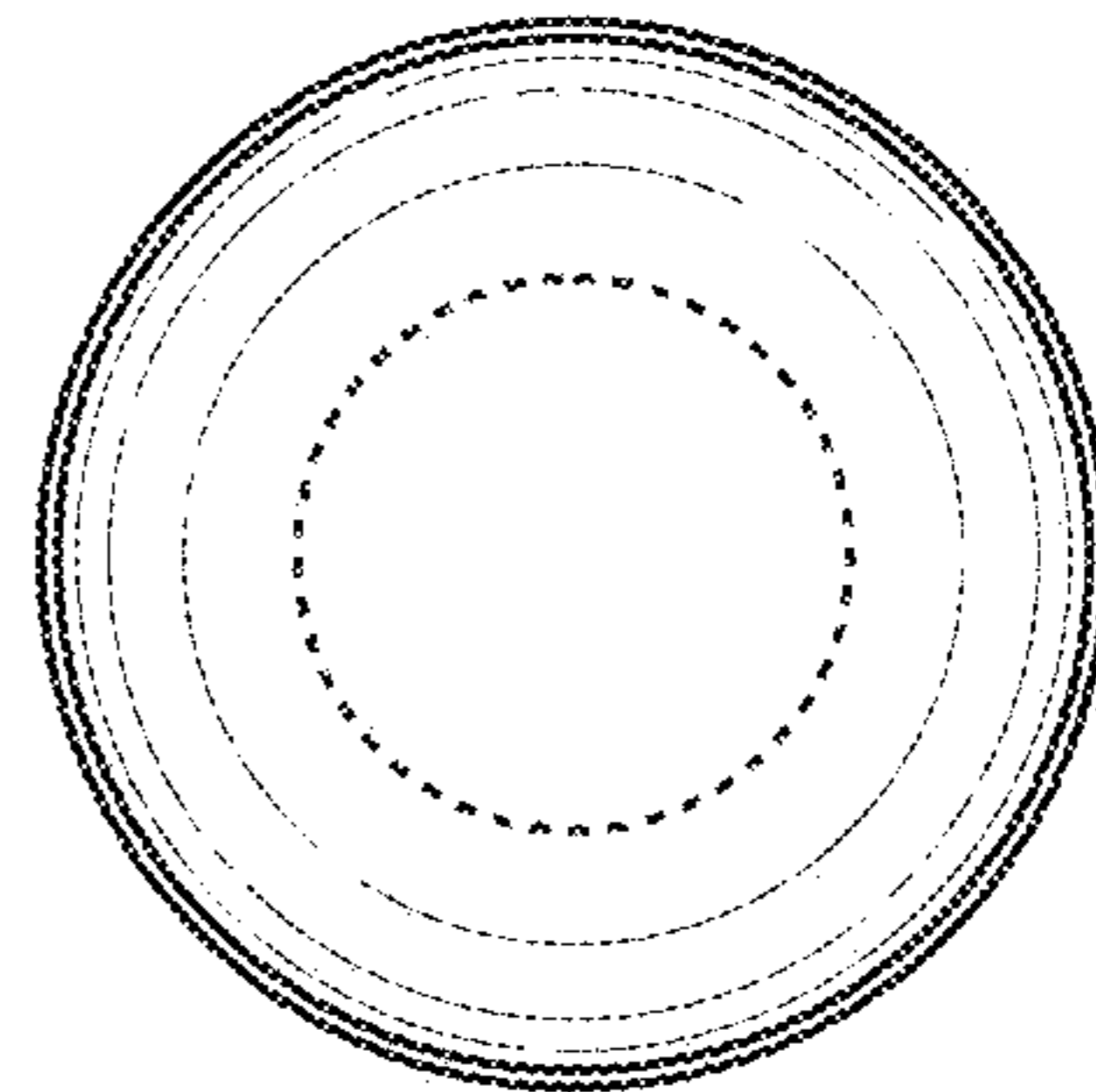


FIG. 6

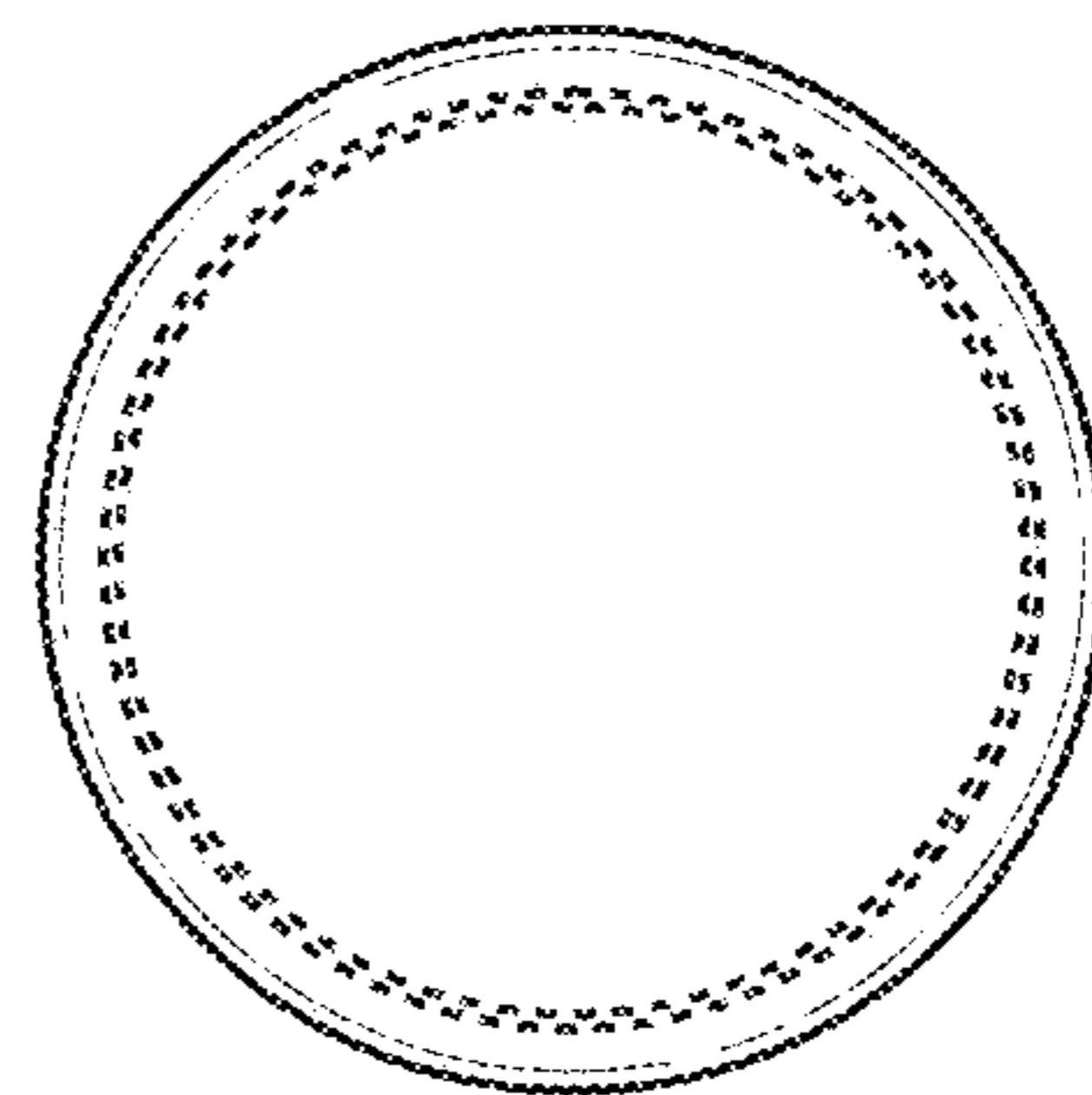


FIG. 7