



US00D881707S

(12) **United States Design Patent** (10) **Patent No.:** **US D881,707 S**
Albertini (45) **Date of Patent:** **** Apr. 21, 2020**

(54) **BOTTLE**
(71) Applicant: **GUERLAIN**, Paris (FR)
(72) Inventor: **Carole Albertini**, Levallois-Perret (FR)
(73) Assignee: **GUERLAIN**, Paris (FR)
(**) Term: **15 Years**
(21) Appl. No.: **35/500,908**
(22) Filed: **Apr. 14, 2016**
(80) **Hague Agreement Data**
Int. Filing Date: **Apr. 14, 2016**
Int. Reg. No.: **DM/090290**
Int. Reg. Date: **Apr. 14, 2016**
Int. Reg. Pub. Date: **May 6, 2016**

D440,152 S * 4/2001 Legros D9/632
D507,973 S * 8/2005 Bigliarians D9/504
D511,688 S * 11/2005 Baron D9/560
D579,785 S * 11/2008 Rica D9/544
D678,074 S * 3/2013 De France D9/435
D682,704 S * 5/2013 Reynolds D9/544
D691,484 S * 10/2013 Fitzgerald D9/516
D692,770 S * 11/2013 Petronio D9/452
D727,156 S * 4/2015 Lavigne D9/516
D730,191 S * 5/2015 Hardy D9/454
D734,164 S * 7/2015 Guichot D9/682
D739,250 S * 9/2015 Rohit D9/529
D741,720 S * 10/2015 Anandani D9/560
D748,492 S * 2/2016 Hennessy D9/445
D757,560 S * 5/2016 Venturini Fendi D9/435
D777,581 S * 1/2017 Maier D9/441

(Continued)

Primary Examiner — Melanie H Tung
Assistant Examiner — Bao-Yen T Nguyen
(74) *Attorney, Agent, or Firm* — Stephen J. Weyer, Esq.;
Stites & Harbison, PLLC

(30) **Foreign Application Priority Data**

Nov. 26, 2015 (EM) 002877951-0001

(51) **LOC (12) Cl.** **09-01**
(52) **U.S. Cl.**
USPC **D9/559**

(58) **Field of Classification Search**
USPC D9/502, 504, 506, 519, 520, 522, 523,
D9/526, 529, 530, 549, 553, 556, 558,
D9/559, 560, 563, 564, 569, 571, 574,
D9/682, 686, 687, 689, 719
CPC B65D 1/00; B65D 1/02; B65D 1/0223;
B65D 1/0261; B65D 1/40; B65D 1/42;
B65D 1/44; B65D 23/00; B65D 23/102;
B65D 81/00; B65D 2501/00; B65D
2501/0009; B65D 2501/0018; B65D
2501/0036

See application file for complete search history.

(56) **References Cited**

U.S. PATENT DOCUMENTS

D330,516 S * 10/1992 Cavazza D9/571
D379,766 S * 6/1997 Schneider D9/542

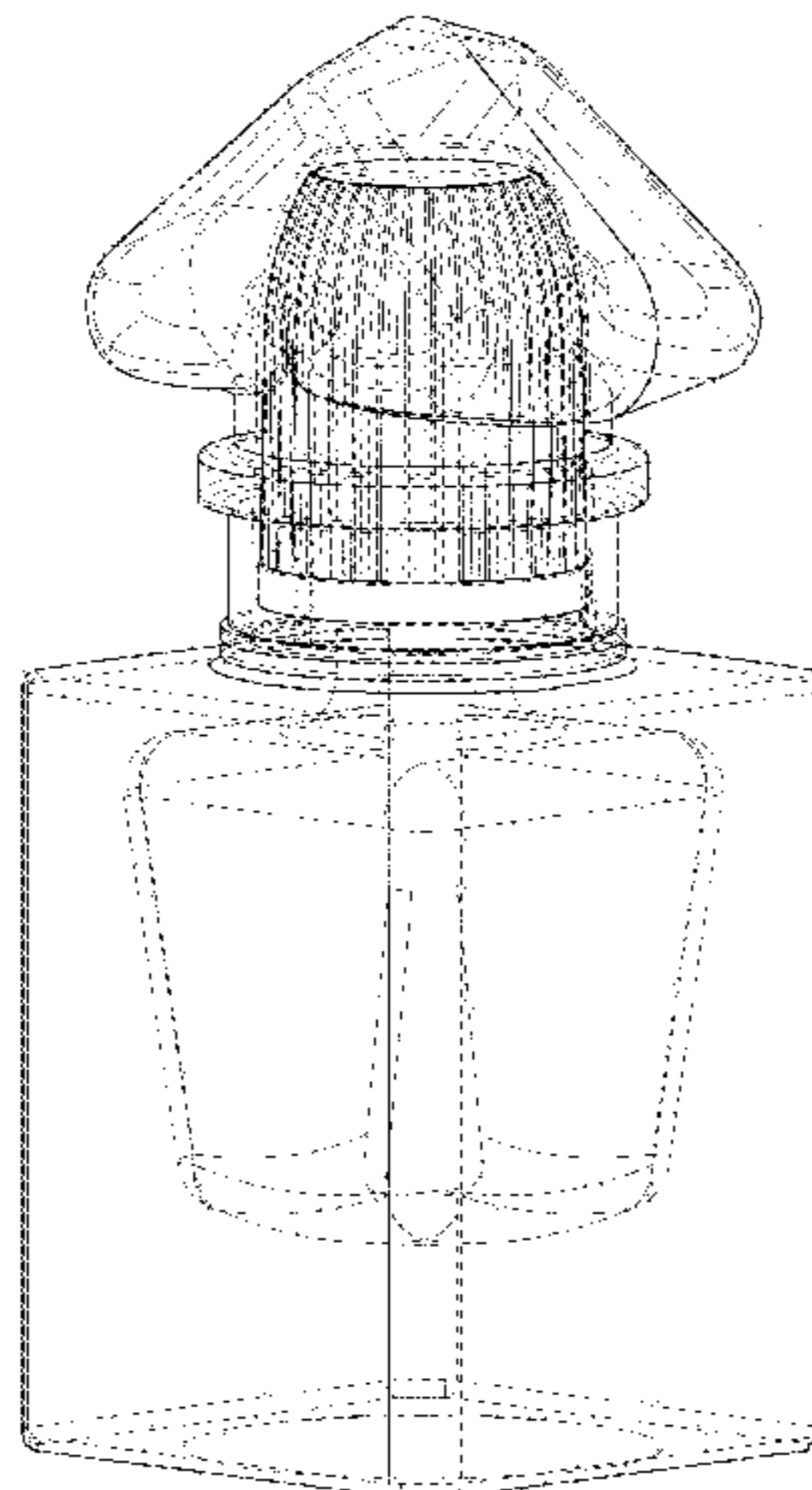
(57) **CLAIM**

The ornamental design of a bottle, as shown and described.

DESCRIPTION

1. Bottle
1.1 : Perspective
1.2 : Front
1.3 : Back
1.4 : Right
1.5 : Left
1.6 : Top
1.7 : Bottom
1.8 : Exploded Perspective view
1.9 : Exploded front view
1.10 : Exploded right view
Elements drawn in broken lines are features of the bottle
which form no part of the claimed design.

1 Claim, 10 Drawing Sheets



(56)

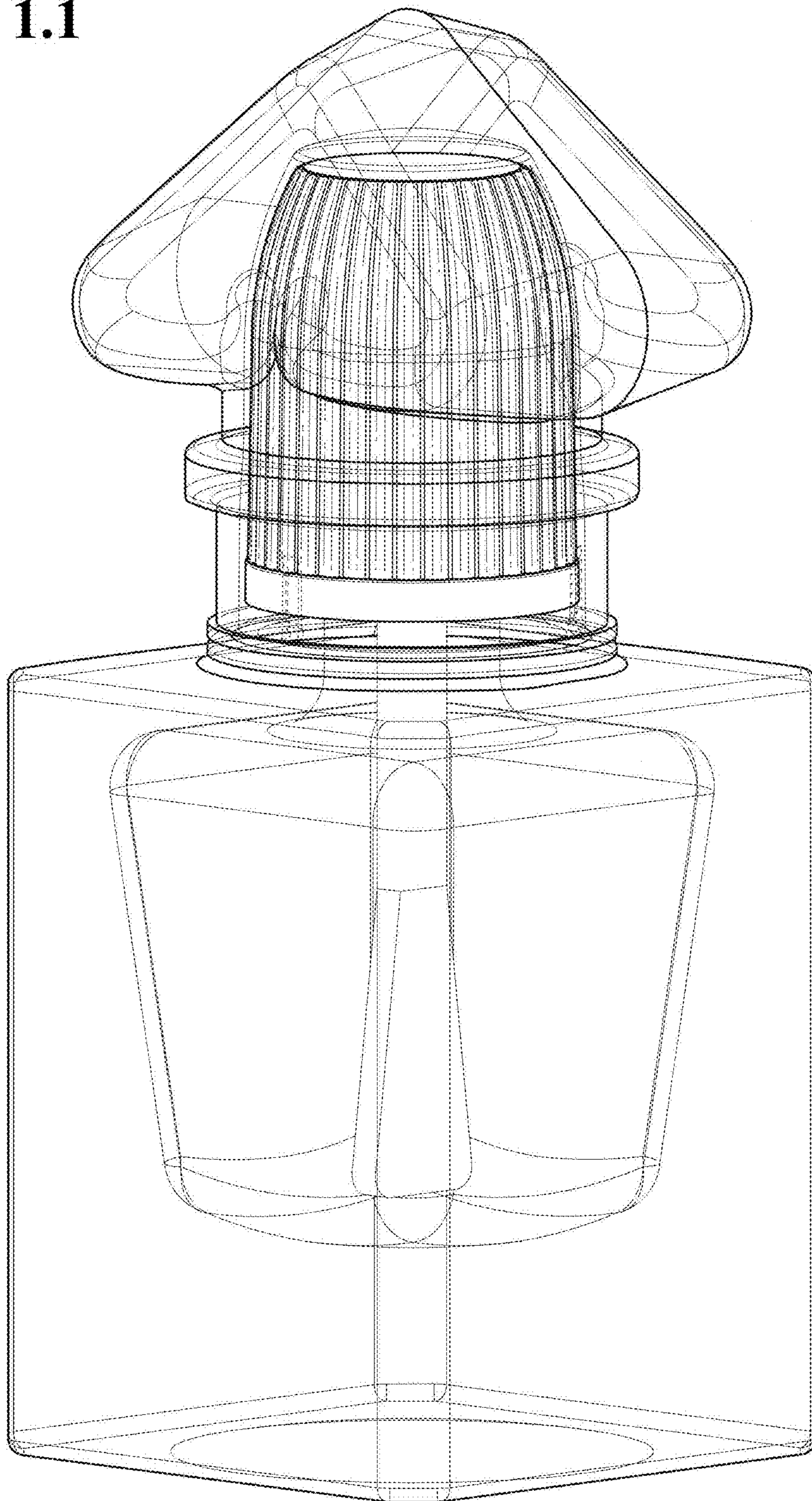
References Cited

U.S. PATENT DOCUMENTS

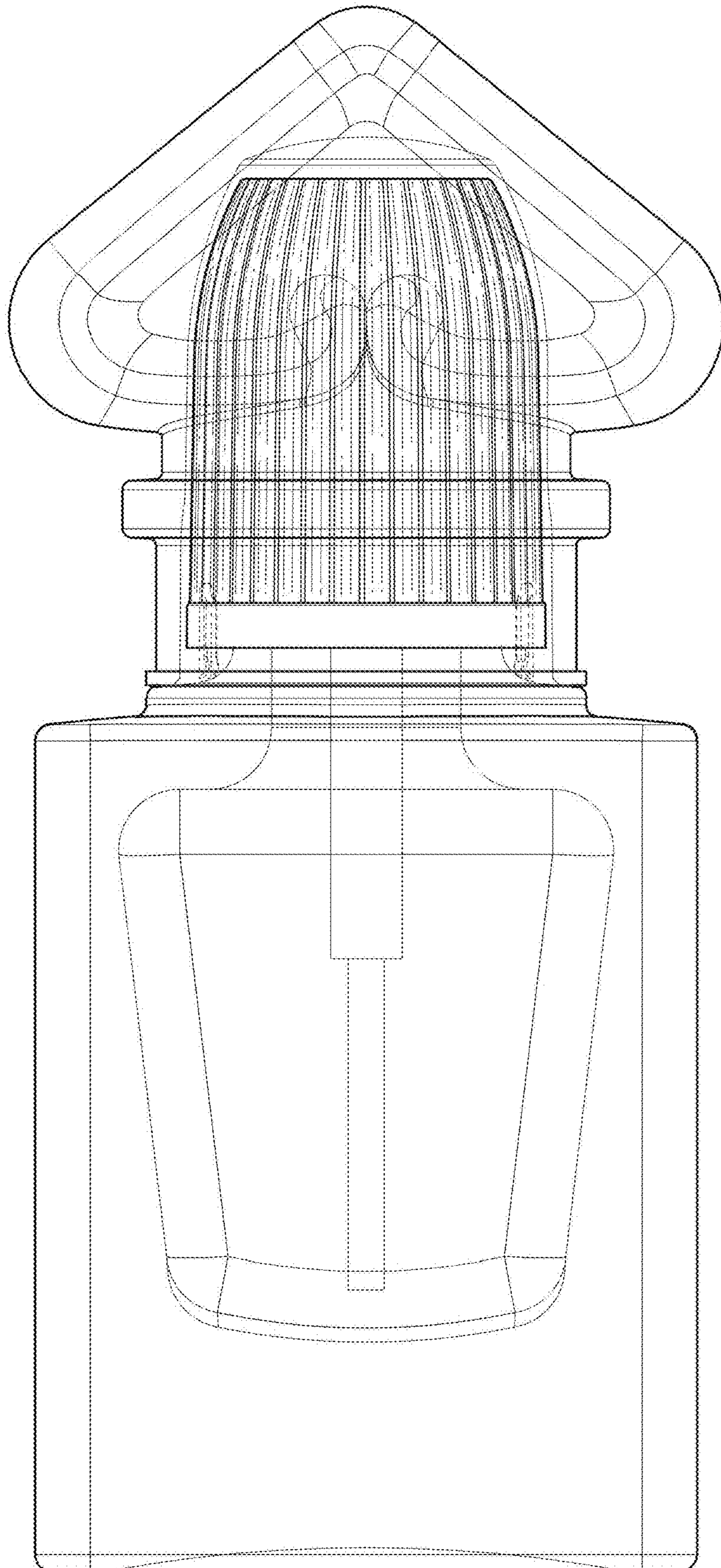
D779,964 S * 2/2017 Miller D9/560
2012/0018440 A1* 1/2012 Lane B65D 1/0223
220/669

* cited by examiner

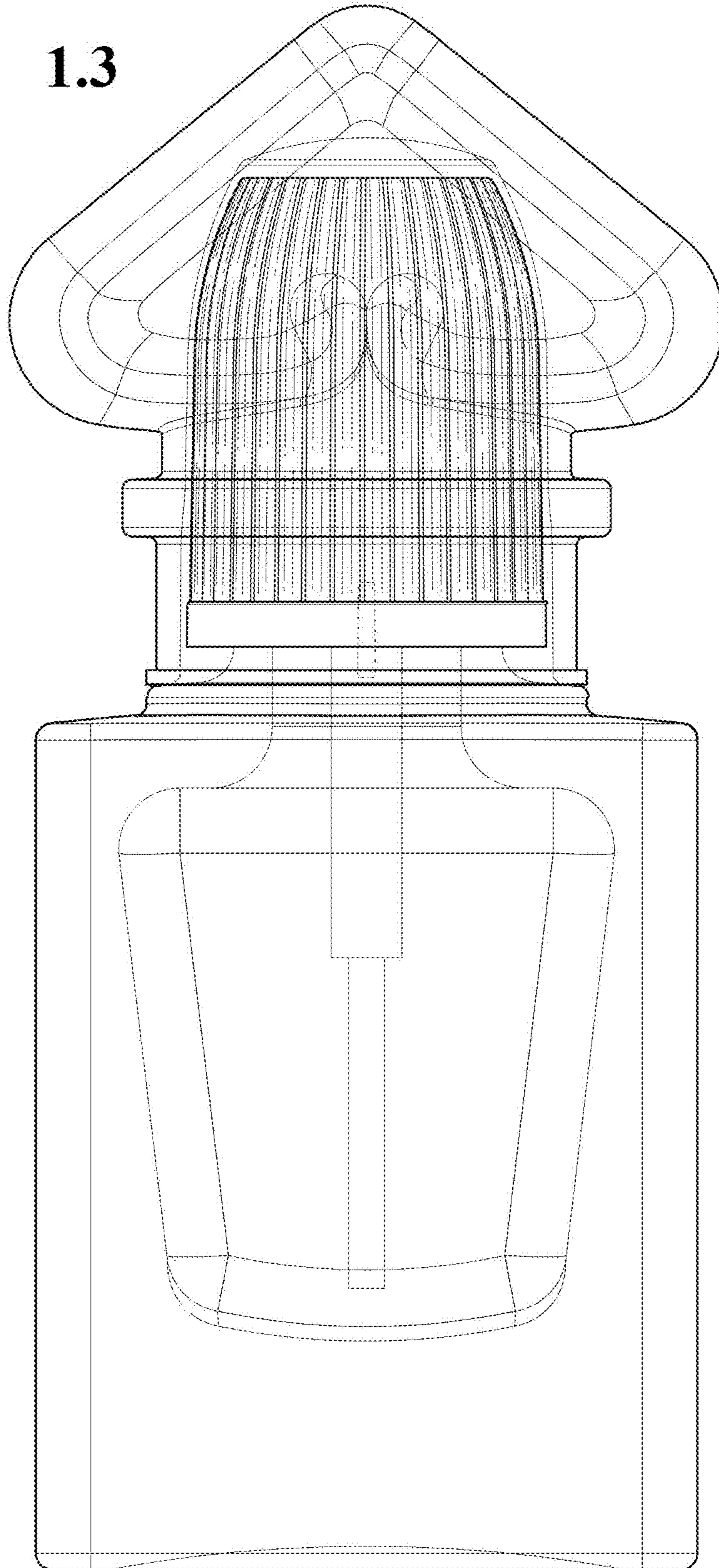
1.1

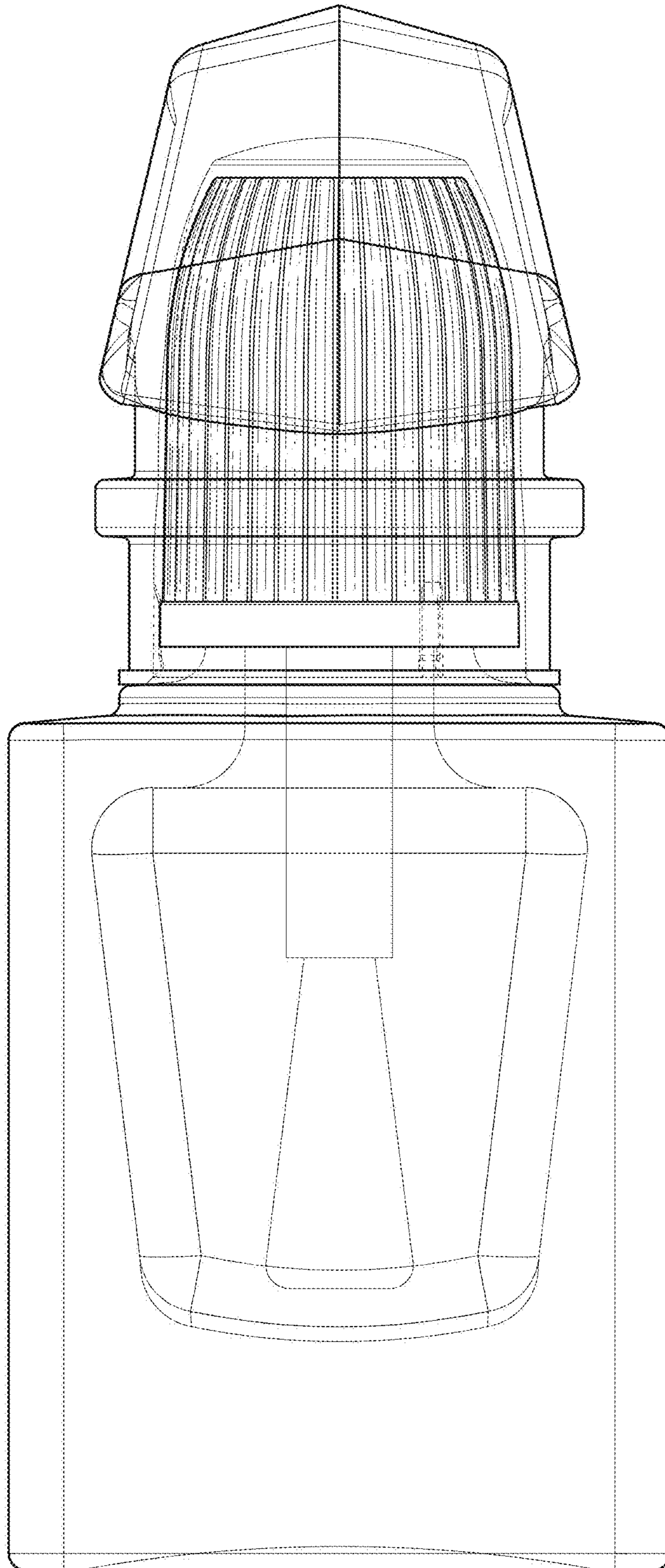


1.2

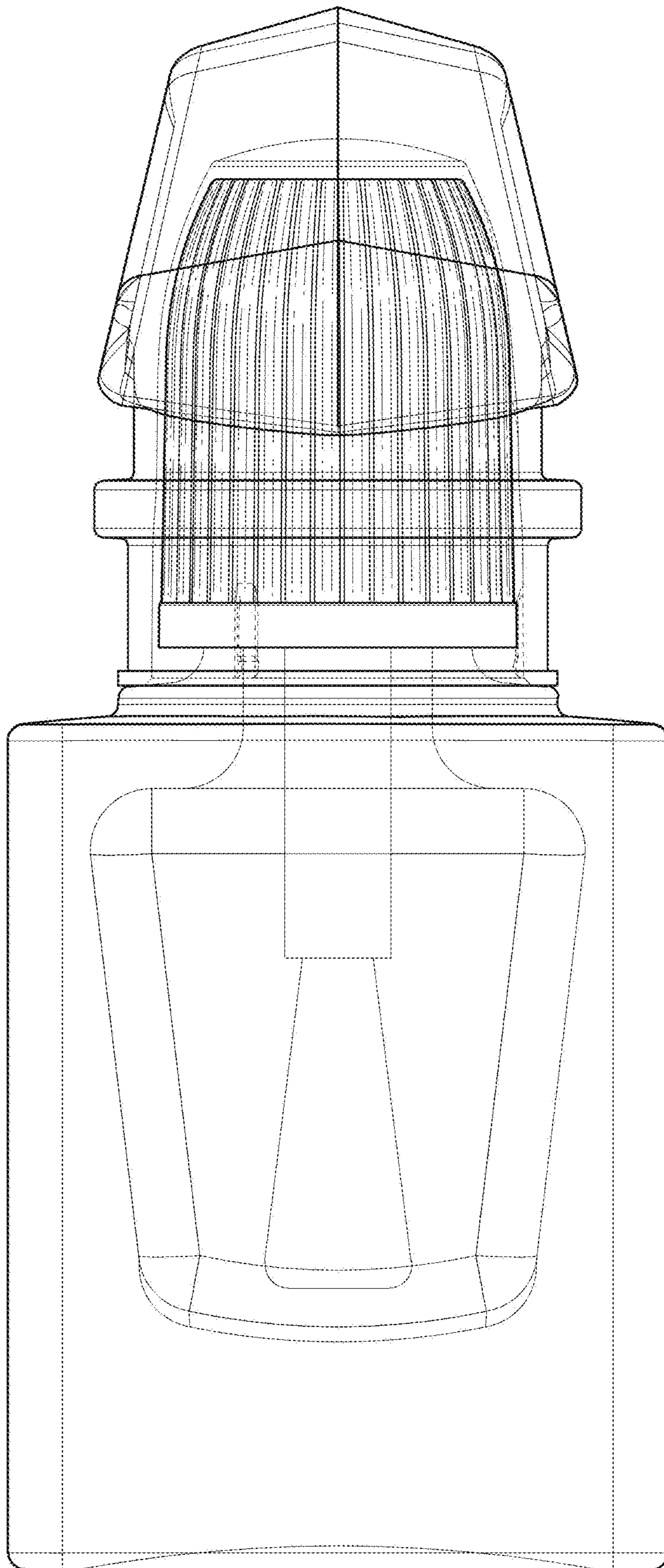


1.3



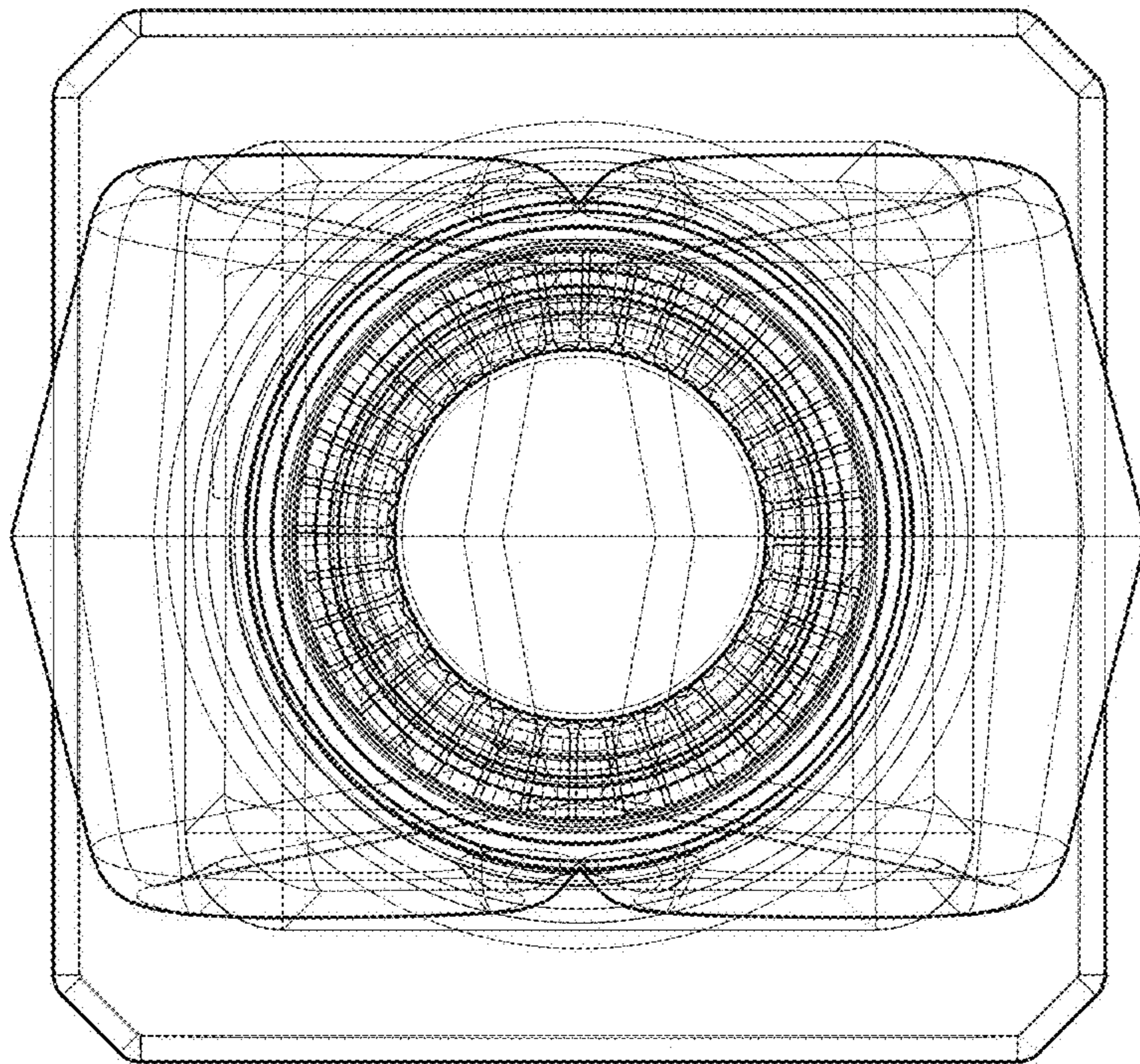


1.4

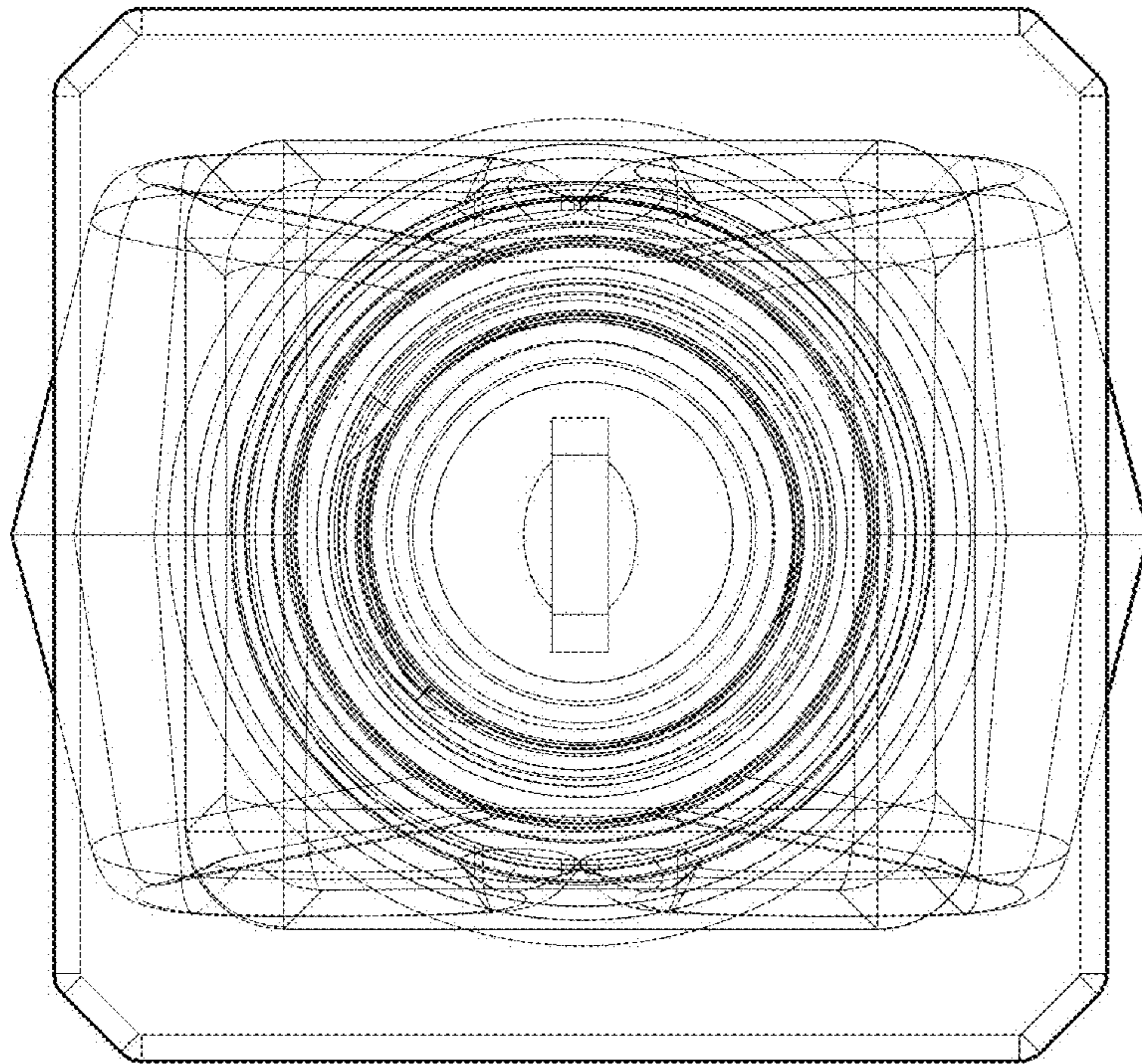


1.5

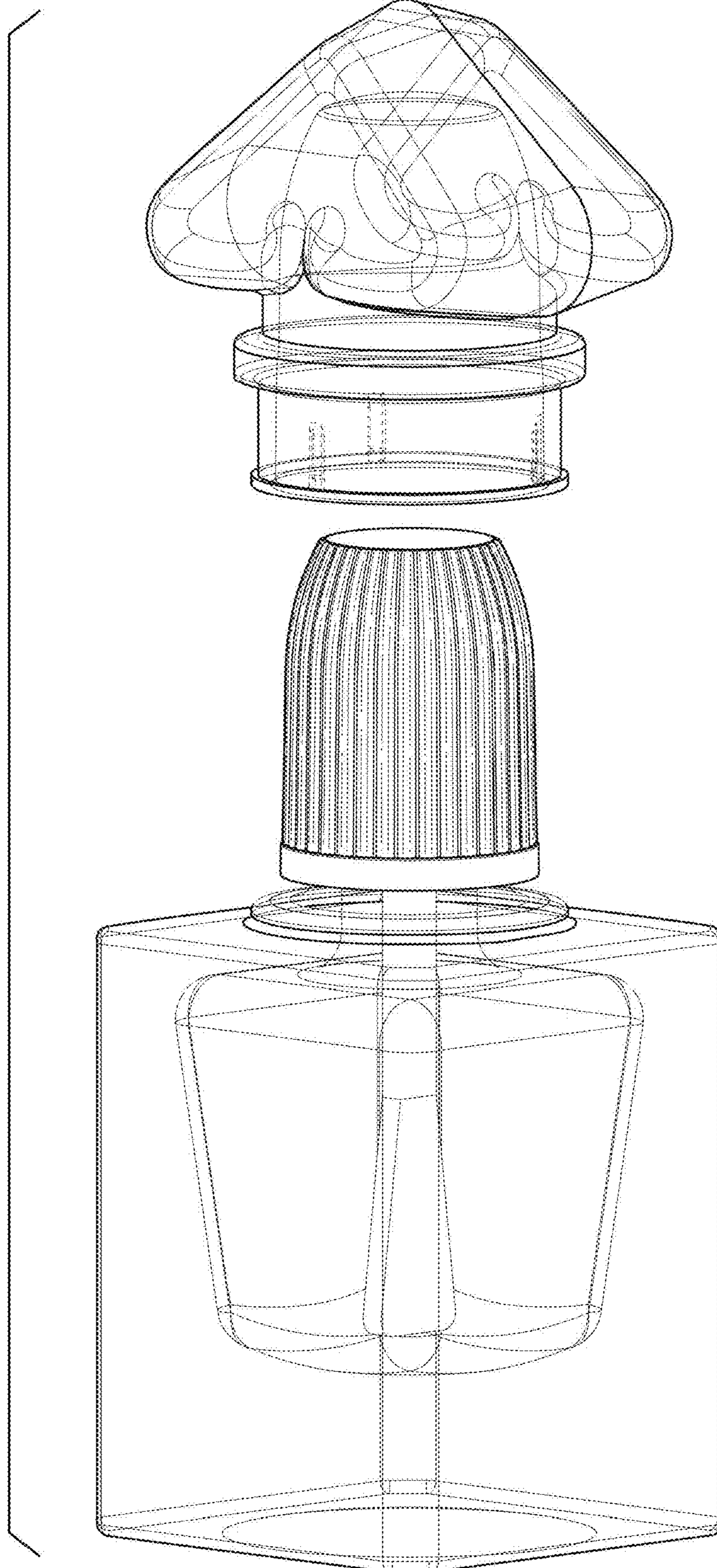
1.6



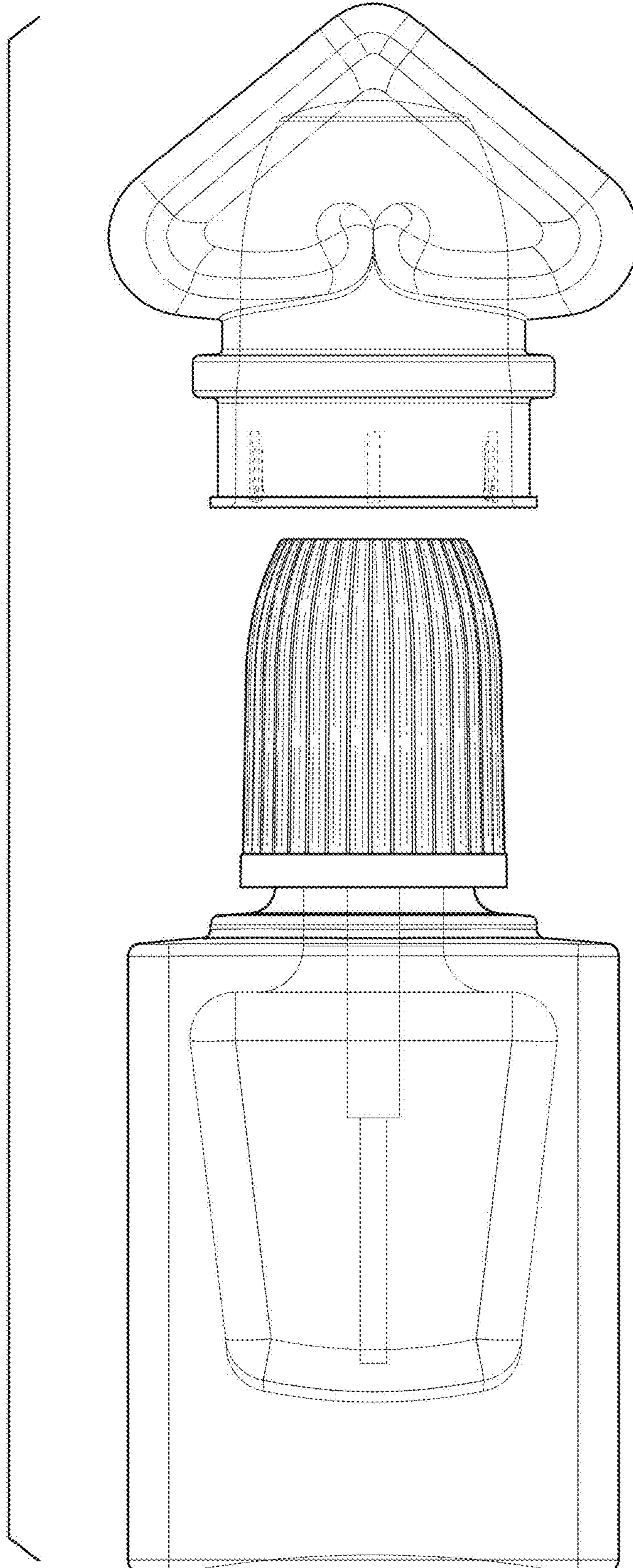
1.7

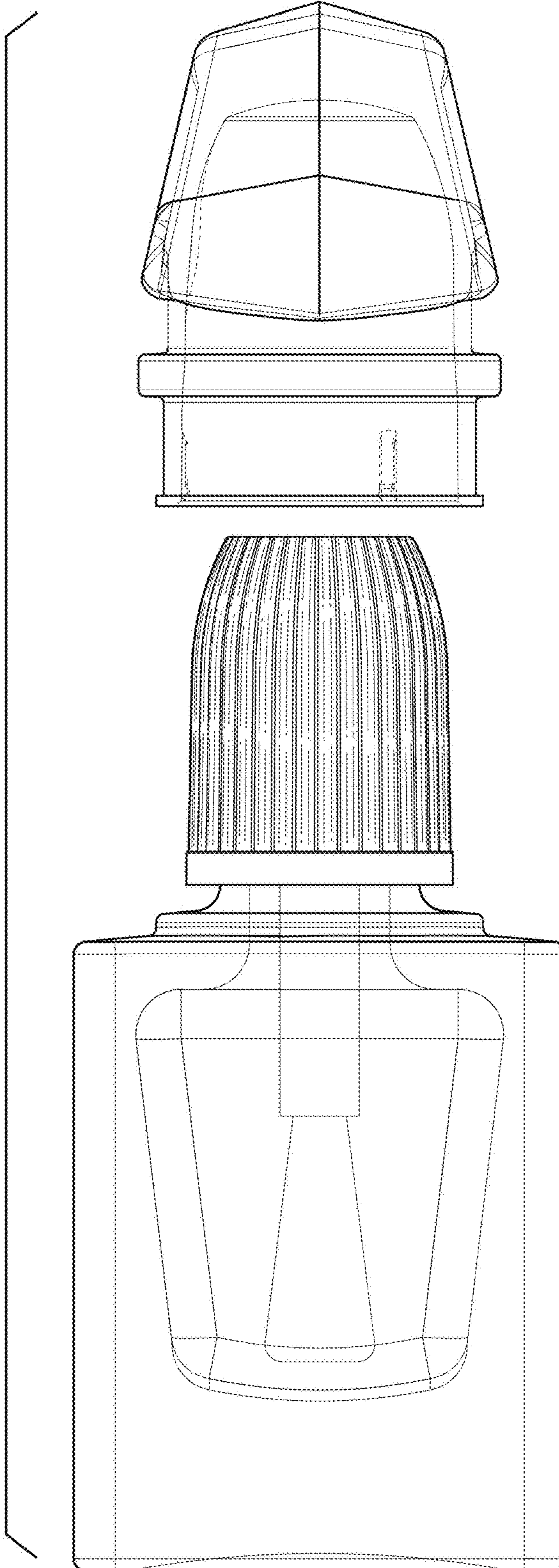


1.8



1.9





1.10