



US00D881705S

(12) **United States Design Patent** (10) **Patent No.:** **US D881,705 S**  
**Jack et al.** (45) **Date of Patent:** **\*\* Apr. 21, 2020**

(54) **BOTTLE**  
(71) Applicant: **IntraPac International LLC**,  
Mooresville, NC (US)  
(72) Inventors: **Robert C. Jack**, Arlington Heights, IL  
(US); **Megan E. Keilman**, Shabbona,  
IL (US)

D185,432 S 6/1959 Goldstein  
D243,659 S 3/1977 Plummer  
D254,651 S 4/1980 Shortino  
D263,373 S \* 3/1982 Howard ..... D9/563  
D278,683 S \* 5/1985 Biesecker ..... D9/556  
D282,443 S \* 2/1986 Beaver ..... D9/563  
D309,714 S 8/1990 Biesecker

(Continued)

(73) Assignee: **IntraPac International LLC**,  
Mooresville, NC (US)

(\*\*) Term: **15 Years**

(21) Appl. No.: **29/659,341**

(22) Filed: **Aug. 8, 2018**

**Related U.S. Application Data**

(63) Continuation of application No. 29/592,119, filed on  
Jan. 26, 2017, now Pat. No. Des. 838,179.

(51) **LOC (12) Cl.** ..... **09-01**

(52) **U.S. Cl.**  
USPC ..... **D9/522**

(58) **Field of Classification Search**  
USPC ..... D9/434-435, 439, 447, 449, 450, 452,  
D9/454, 516, 520, 522-524, 528-531,  
D9/541-544, 549-551, 558-560, 563,  
D9/565-566, 571-575, 682, 686, 687,  
D9/693-694, 715, 719; D7/300, 300.1,  
D7/316, 317, 598; D23/211, 225  
CPC ... B65D 1/00; B65D 1/02; B65D 1/12; B65D  
1/18; B65D 1/20; B65D 1/0223; B65D  
23/00; B65D 21/0237; B65D 2501/0009;  
B65D 2501/0081

See application file for complete search history.

(56) **References Cited**

**U.S. PATENT DOCUMENTS**

D53,666 S \* 7/1919 Schwidetzky ..... D9/522  
D94,498 S 2/1935 Leach

**OTHER PUBLICATIONS**

Unpublished pending U.S. Appl. No. 29/592,119, filed Jan. 26,  
2017, pursuant to the Commissioner's Notice dated Sep. 21, 2004.

(Continued)

*Primary Examiner* — Susan Bennett Hattan

*Assistant Examiner* — Omeed Agilee

(74) *Attorney, Agent, or Firm* — Neal, Gerber &  
Eisenberg LLP; Thomas E. Williams

(57) **CLAIM**

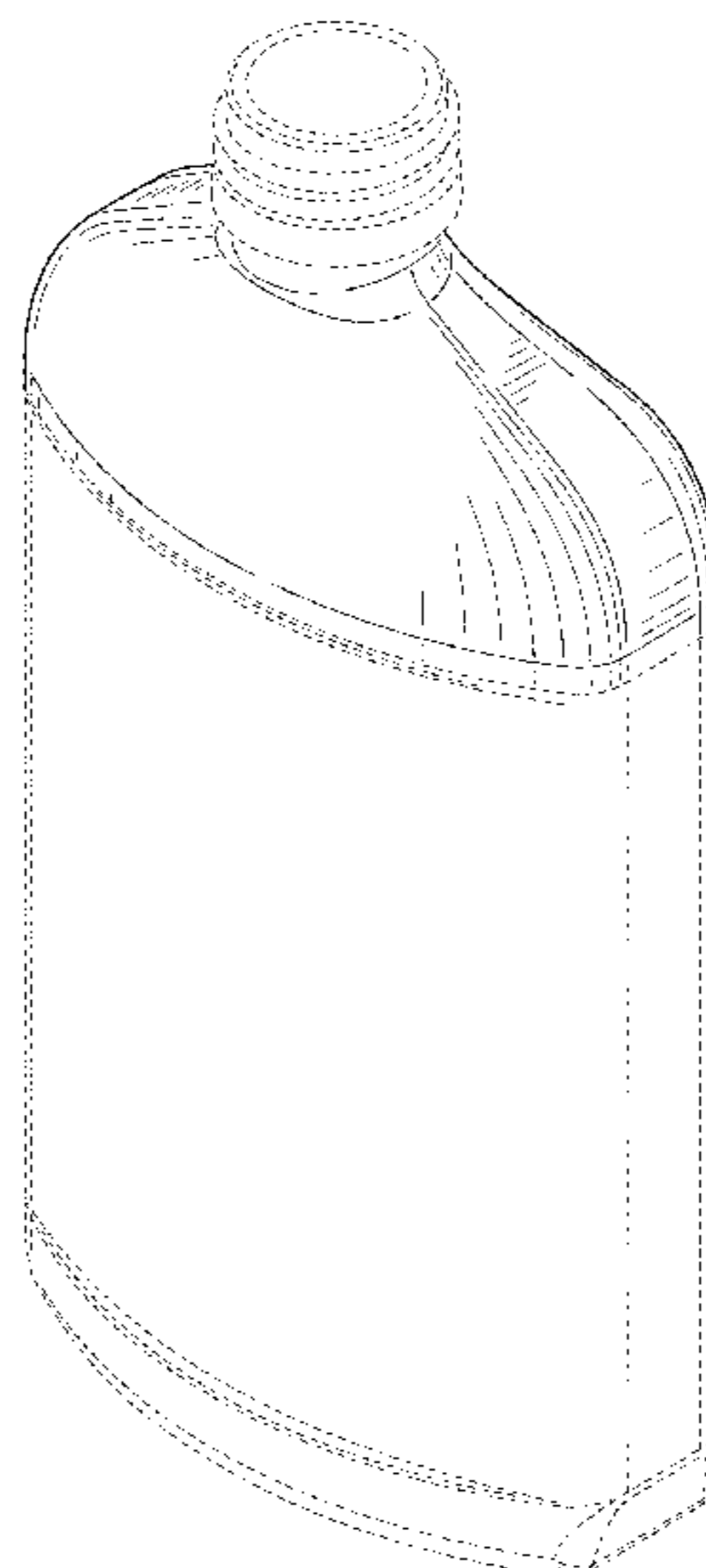
The ornamental design for a bottle, as shown and described.

**DESCRIPTION**

FIG. 1 is a front, right, and top perspective view of a bottle,  
showing our new design;  
FIG. 2 is a rear, left, and top perspective view thereof;  
FIG. 3 is a front, right, and bottom perspective view thereof;  
FIG. 4 is a front elevation view thereof;  
FIG. 5 is a rear elevation view thereof;  
FIG. 6 is a left side elevation view thereof;  
FIG. 7 is a right side elevation view thereof;  
FIG. 8 is a top plan view thereof; and,  
FIG. 9 is a bottom plan view thereof.

The broken lines adjacent to the shaded areas depict the  
boundaries of the claim and form no part thereof. All the  
other broken lines in the drawings depict portions of the  
bottle that form no part of the claimed design.

**1 Claim, 7 Drawing Sheets**



(56)

References Cited

U.S. PATENT DOCUMENTS

D310,964 S 10/1990 Weckman  
 D318,037 S \* 7/1991 Kipperman et al. .... D9/435  
 D321,131 S 10/1991 Wiseman et al.  
 D340,864 S 11/1993 De Rothschild et al.  
 D352,657 S 11/1994 Gonda et al.  
 D367,010 S 2/1996 Moore et al.  
 D375,051 S 10/1996 Lathrop et al.  
 D382,808 S 8/1997 Fenton et al.  
 D392,895 S 3/1998 Kuzma et al.  
 D396,191 S 7/1998 Kuzma et al.  
 D407,210 S 3/1999 Lauth, III  
 6,077,579 A \* 6/2000 De Laforcade ..... A45D 33/18  
 428/35.7  
 D429,629 S 8/2000 Kuzma et al.  
 D495,609 S 9/2004 Wurster  
 D514,448 S \* 2/2006 Kuzma ..... D9/563  
 6,997,337 B1 2/2006 Wurster  
 D524,536 S 7/2006 Warner  
 D529,814 S 10/2006 Winkler et al.  
 D535,887 S 1/2007 Haubert, III et al.  
 D536,619 S 2/2007 Heisner  
 D539,150 S 3/2007 Leoncavallo et al.  
 D554,520 S 11/2007 Kunesh et al.  
 D555,500 S 11/2007 Johnston et al.  
 D562,138 S 2/2008 Warner  
 D567,107 S \* 4/2008 Crawford ..... D9/682  
 D570,218 S 6/2008 Crawford et al.  
 D585,755 S 2/2009 Dodge et al.  
 D587,590 S 3/2009 Crawford et al.  
 D610,911 S \* 3/2010 Kim ..... D9/537  
 D615,415 S 5/2010 Holmes et al.  
 D632,581 S 2/2011 Kuzma et al.  
 D641,247 S 7/2011 Kuzma et al.  
 D642,065 S 7/2011 Araujo et al.  
 D645,358 S 9/2011 de Monclin  
 D646,979 S 10/2011 Shaw et al.  
 D653,555 S 2/2012 Kelly et al.  
 D653,847 S 2/2012 Seals  
 D655,172 S 3/2012 Brooks et al.  
 D668,962 S 10/2012 Middleton  
 D671,838 S \* 12/2012 Potts ..... D9/545  
 D672,248 S 12/2012 Nukuto et al.  
 D696,132 S 12/2013 Krunas  
 D709,380 S 7/2014 Letamendi

D709,771 S 7/2014 Letamendi  
 D718,044 S 11/2014 Vargo  
 D729,631 S 5/2015 Kuzma et al.  
 D731,318 S 6/2015 Monaghan et al.  
 D736,517 S 8/2015 Lee  
 D740,677 S 10/2015 Kuzma et al.  
 D742,749 S 11/2015 Murray  
 D746,261 S 12/2015 Silvera  
 D758,868 S \* 6/2016 Bretschneider ..... D9/520  
 D760,089 S 6/2016 Collier  
 D761,657 S 7/2016 Gotur et al.  
 D764,928 S 8/2016 Staab  
 D775,530 S 1/2017 Gayner et al.  
 D799,330 S 10/2017 Burgbacher et al.  
 D807,757 S 1/2018 Feletto  
 D816,983 S 5/2018 LiCalsi  
 D825,340 S 8/2018 Halloran et al.  
 D825,914 S 8/2018 Dent  
 D827,441 S 9/2018 Jack et al.  
 D827,445 S 9/2018 Jack et al.  
 D830,186 S 10/2018 Thompson  
 D838,179 S \* 1/2019 Jack ..... D9/522  
 D839,101 S \* 1/2019 Jack ..... D9/563  
 D852,051 S \* 6/2019 Jack ..... D9/563  
 2004/0206718 A1 \* 10/2004 Wetherell, Jr. .... B65D 1/0223  
 215/10  
 2016/0001924 A1 1/2016 Liu

OTHER PUBLICATIONS

Unpublished pending U.S. Appl. No. 29/592,120, filed Jan. 26, 2017, pursuant to the Commissioner's Notice dated Sep. 21, 2004.  
 Unpublished pending U.S. Appl. No. 29/658,781, filed Aug. 2, 2018, pursuant to the Commissioner's Notice dated Sep. 21, 2004.  
 Unpublished pending U.S. Appl. No. 29/658,783, filed Aug. 2, 2018, pursuant to the Commissioner's Notice dated Sep. 21, 2004.  
 Unpublished pending U.S. Appl. No. 29/659,196, filed Aug. 7, 2018, pursuant to the Commissioner's Notice dated Sep. 21, 2004.  
 Liquor. Online, published date unknown. Retrieved on Oct. 31, 2017 in U.S. Appl. No. 29/592,119 from URL: <http://www.intrapacinternational.com/products/bottles/liquor/> (1 page).  
 English Pewter Company 6oz Plain Satin Band Hip Flask. Online, published date unknown. Retrieved on Nov. 15, 2018 from URL: <https://www.johnlewis.com/english-pewter-company-6oz-plain-satin-band-hip-flask/p2603333>.

\* cited by examiner

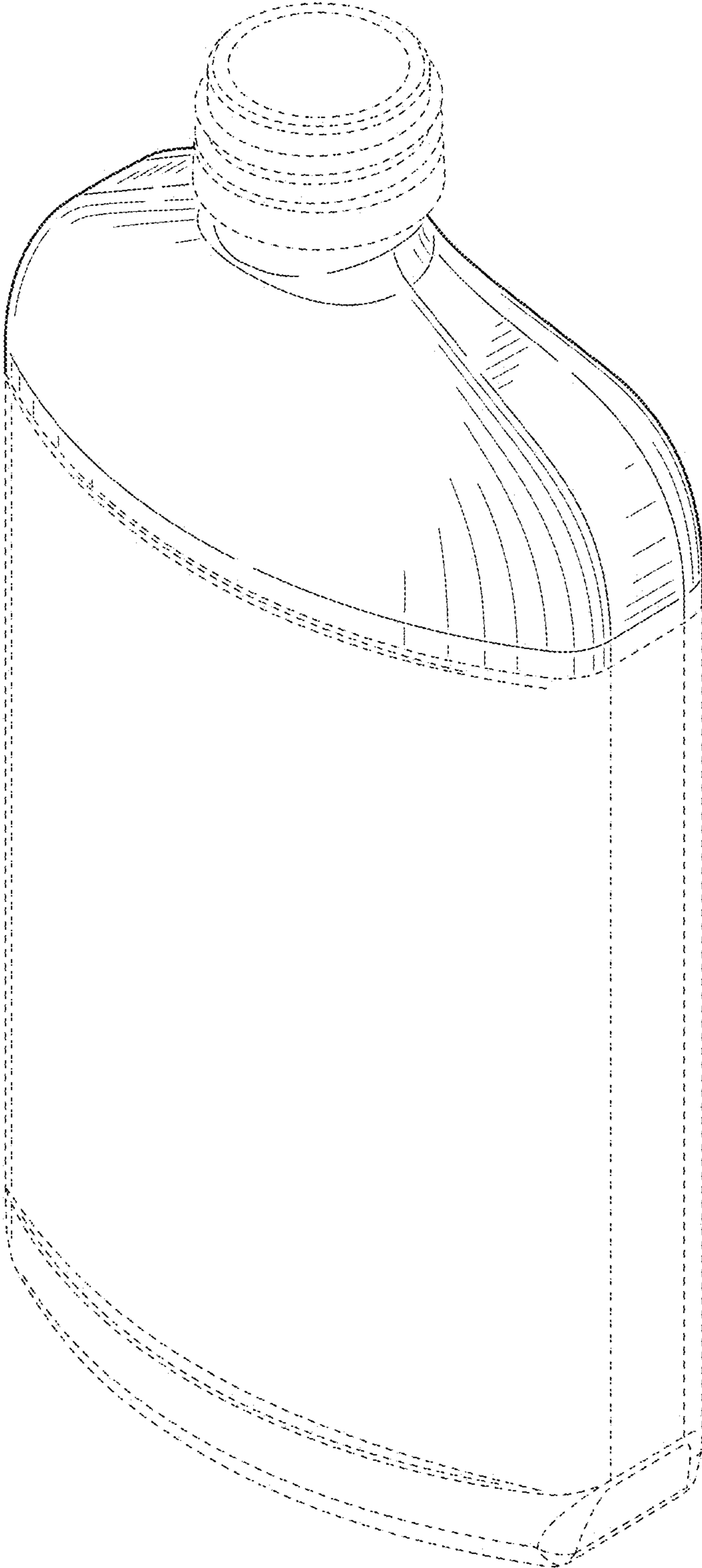


FIG. 1

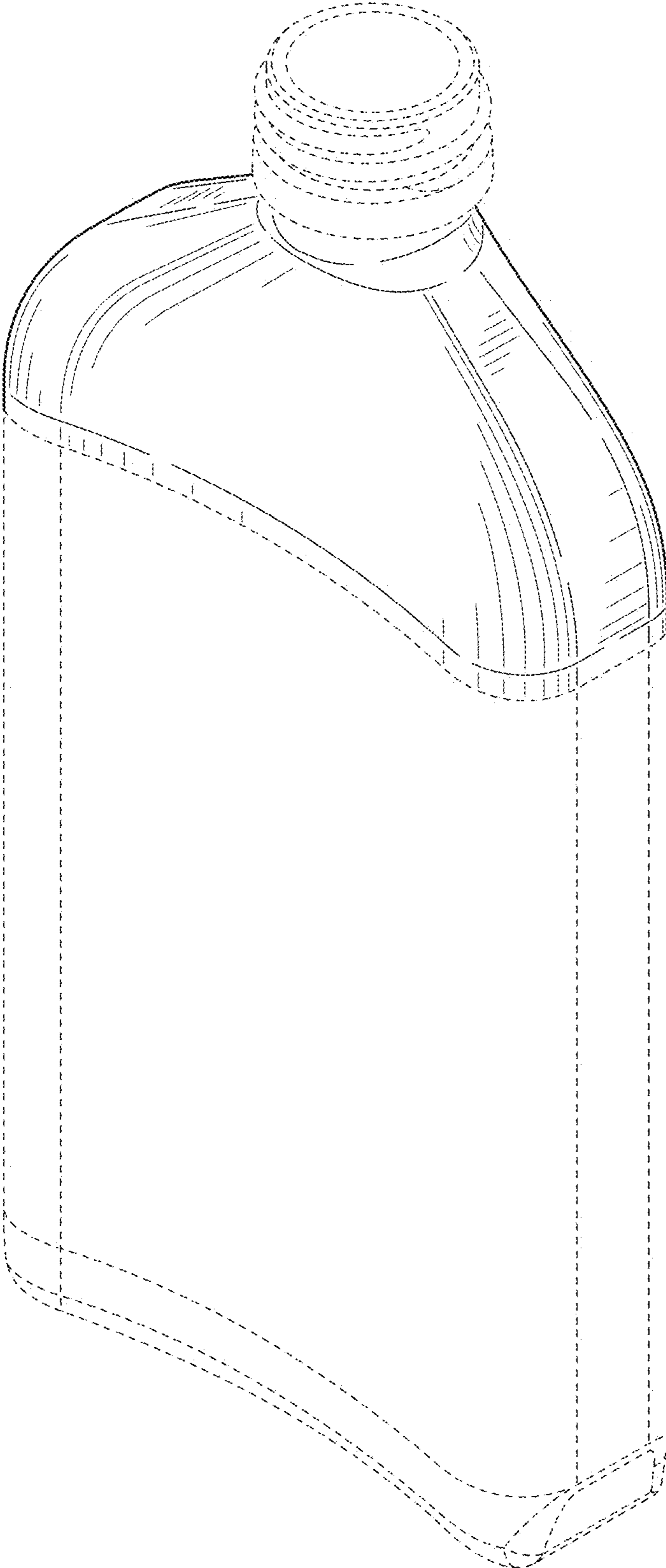


FIG. 2

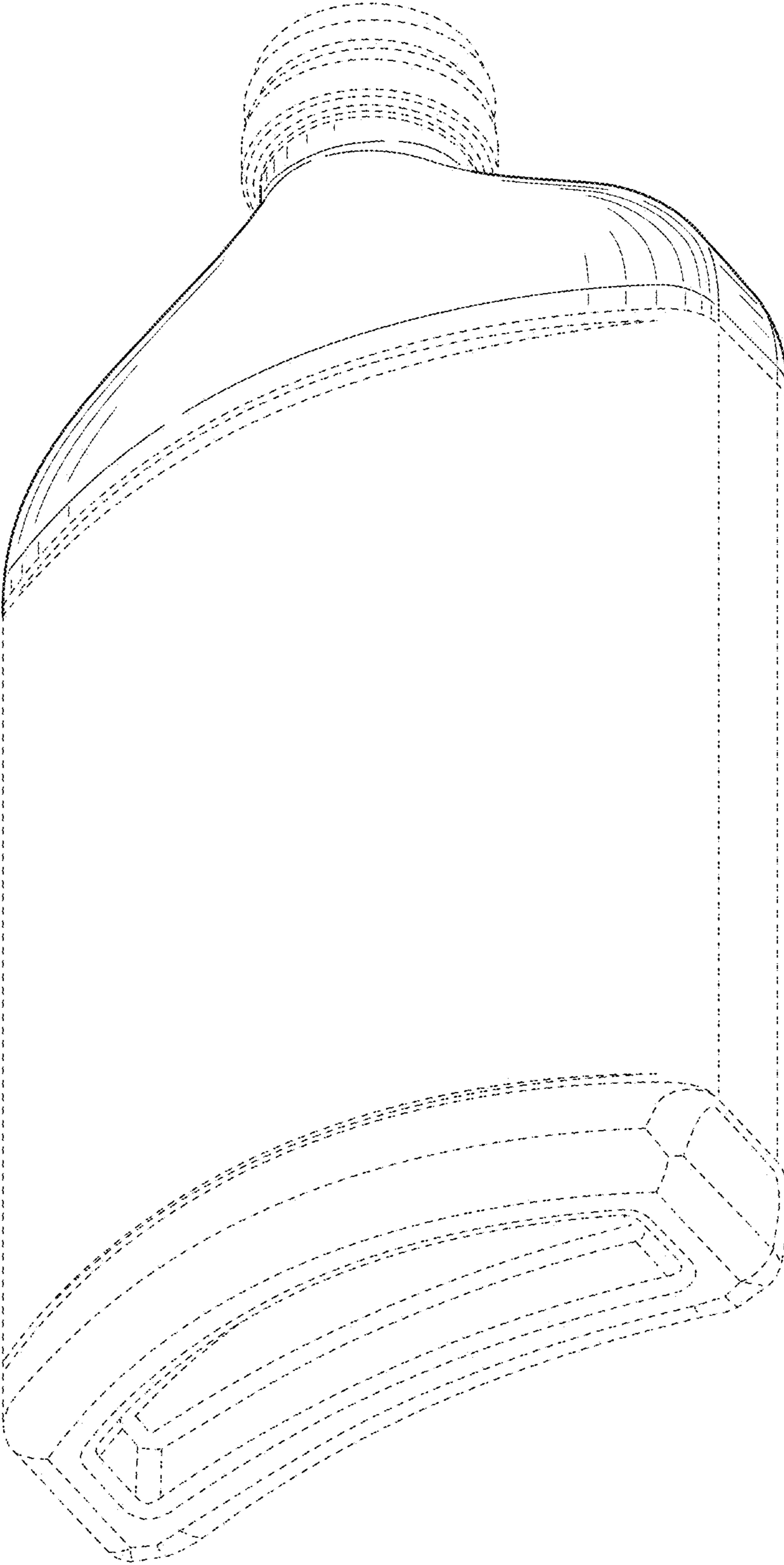


FIG. 3

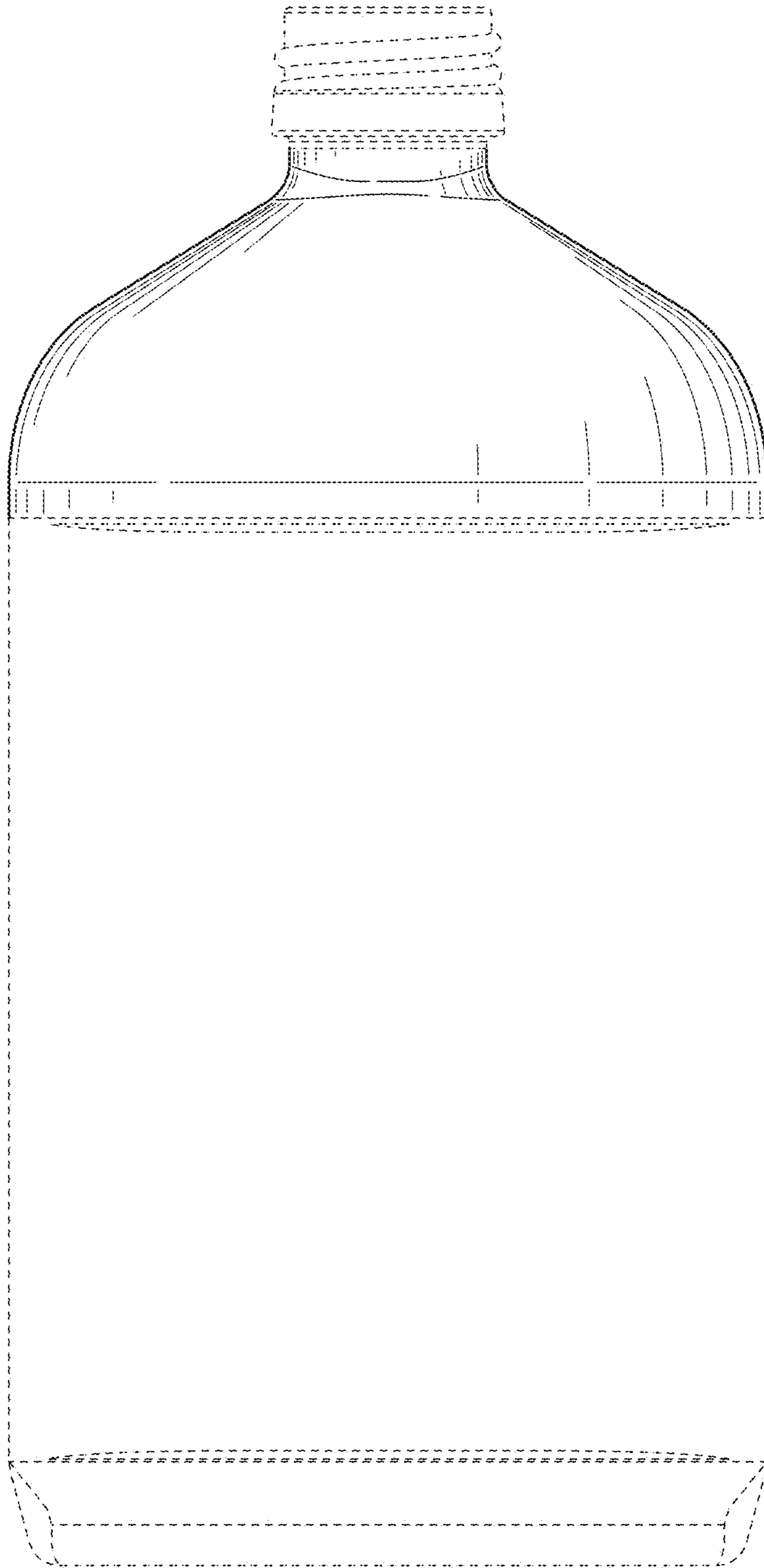


FIG. 4

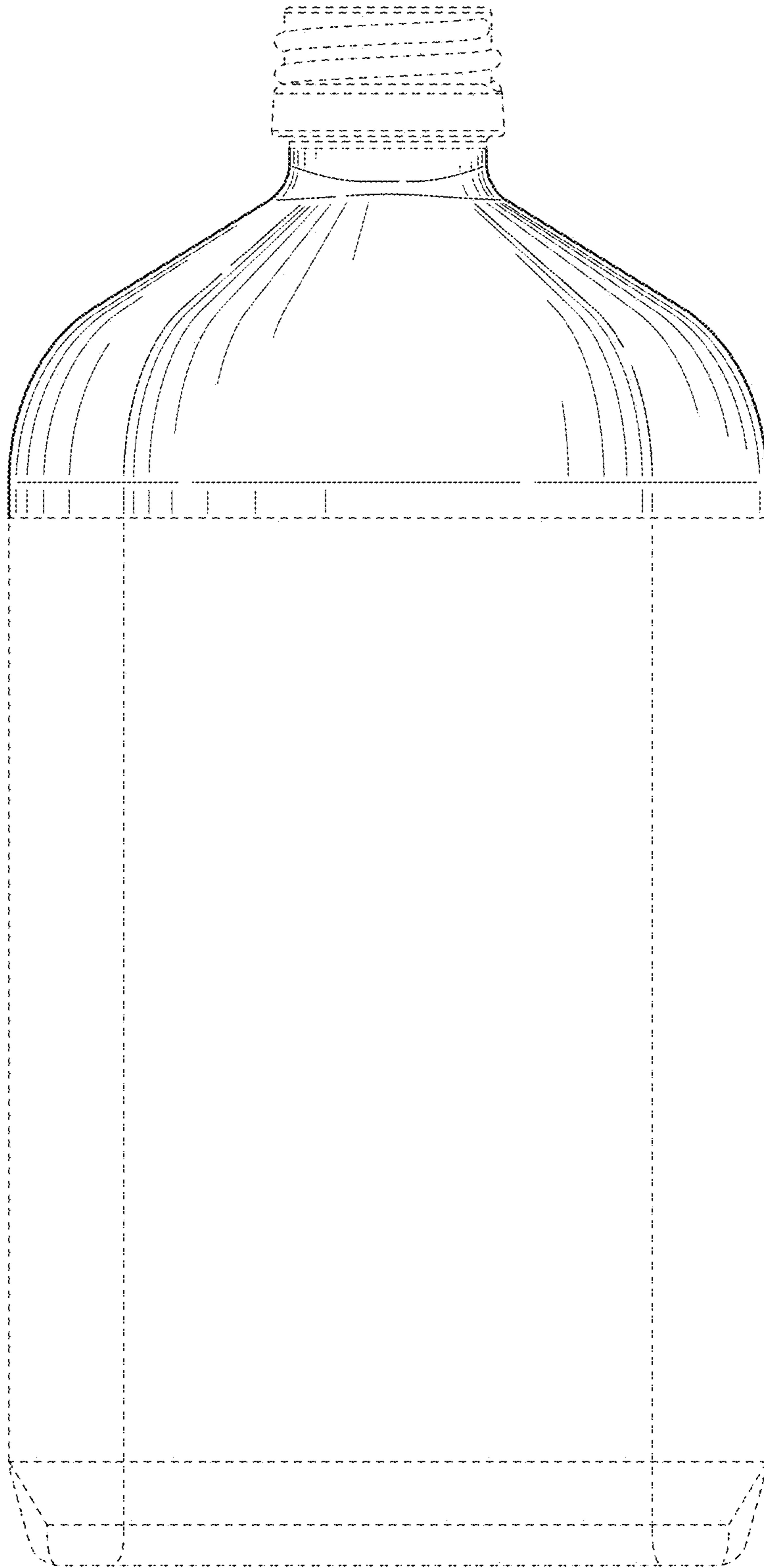


FIG. 5

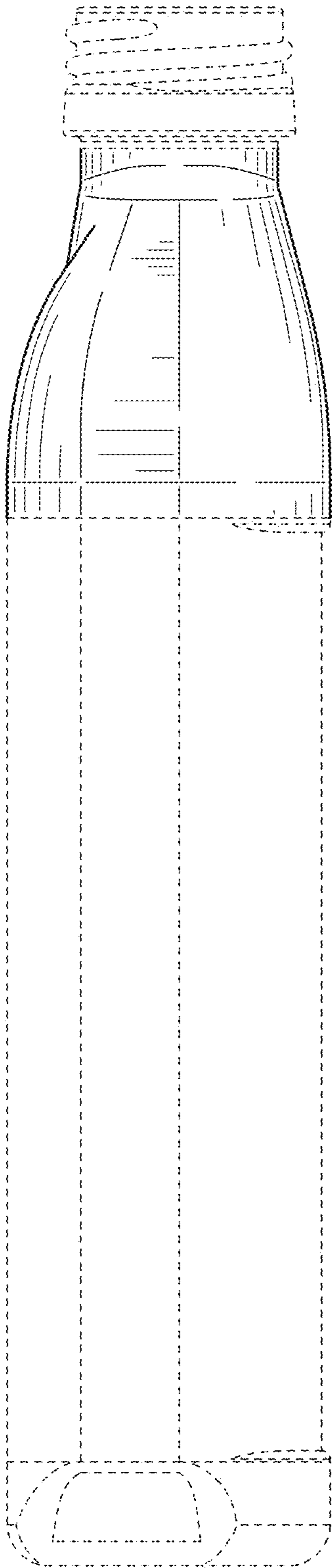


FIG. 6

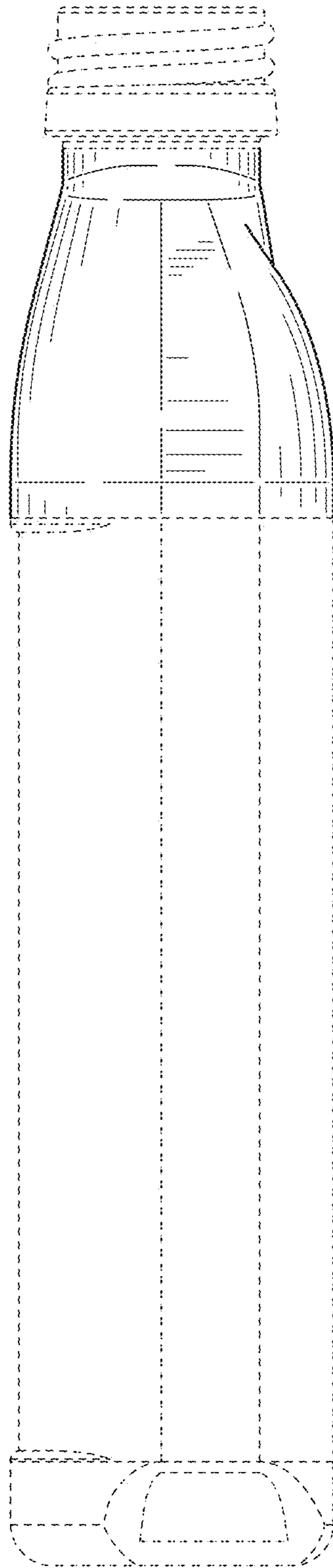


FIG. 7



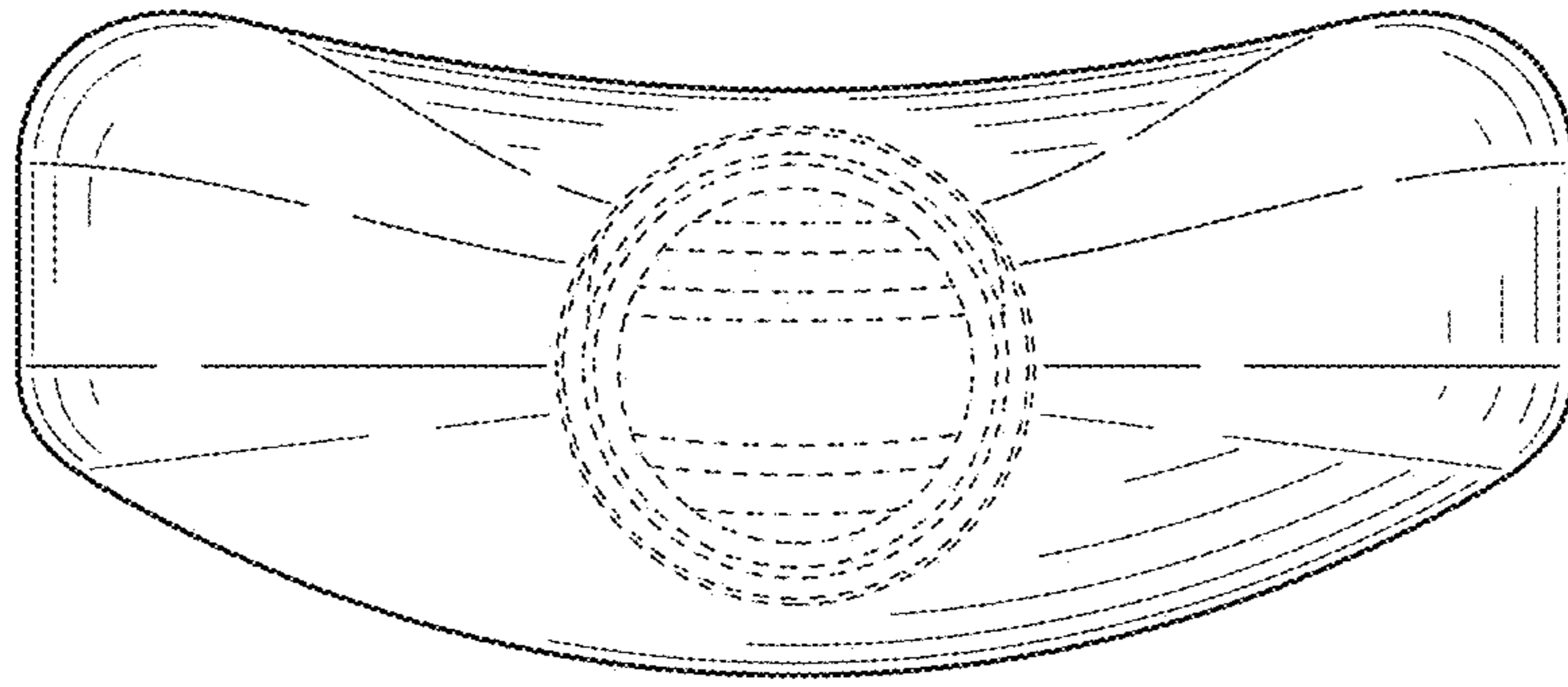


FIG. 8

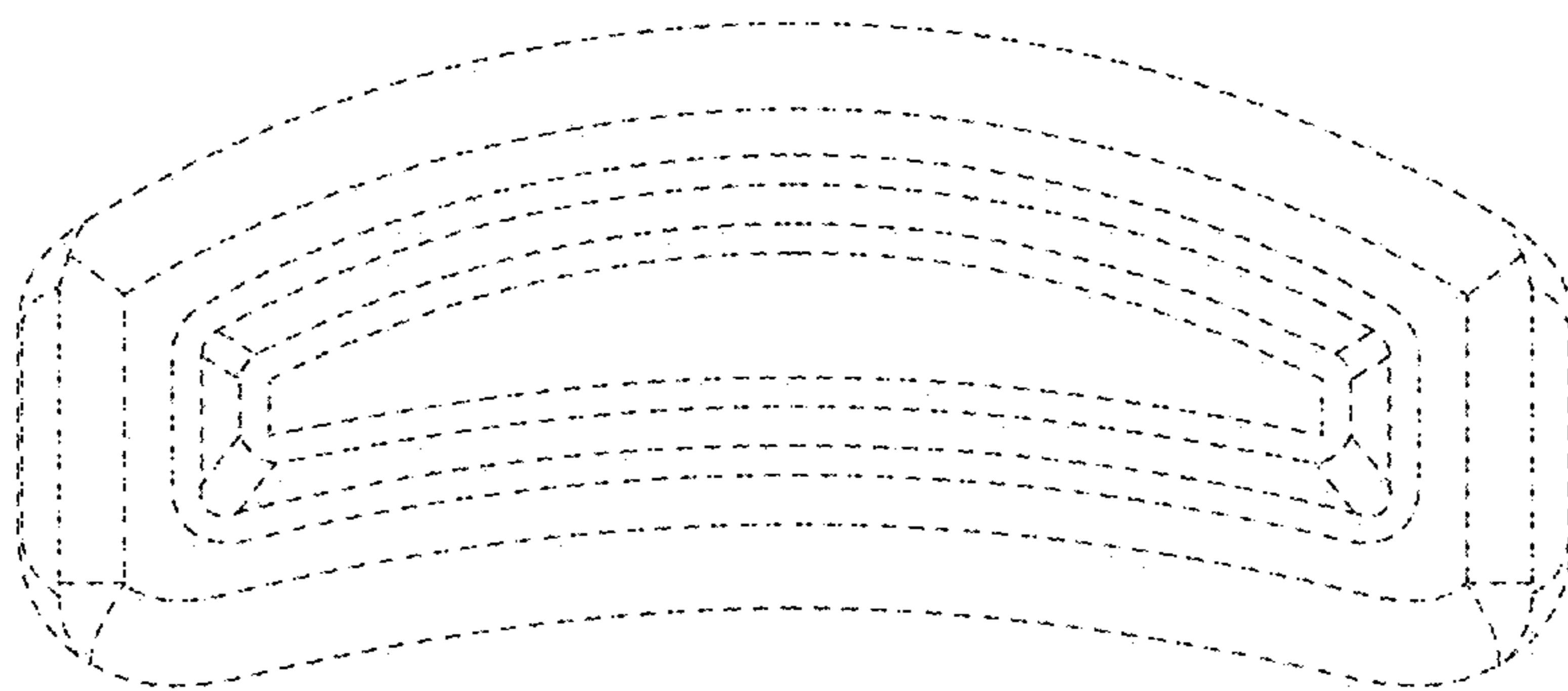


FIG. 9