



US00D881702S

(12) **United States Design Patent**  
**Tse et al.**

(10) **Patent No.:** **US D881,702 S**  
(45) **Date of Patent:** **\*\* Apr. 21, 2020**

(54) **LID**

(71) Applicant: **Berlin Packaging, LLC**, Chicago, IL (US)

(72) Inventors: **Kieron Tse**, Mt. Prospect, IL (US); **Brett Niggel**, Chicago, IL (US); **Shar Puskala**, Chicago, IL (US); **Andrew Sanguinet**, La Grange Park, IL (US)

(73) Assignee: **Berlin Packaging, LLC**, Chicago, IL (US)

(\*\*) Term: **15 Years**

(21) Appl. No.: **29/622,004**

(22) Filed: **Oct. 13, 2017**

(51) **LOC (12) Cl.** ..... **09-03**

(52) **U.S. Cl.**  
USPC ..... **D9/447**

(58) **Field of Classification Search**  
USPC ..... D9/414, 421, 447, 449, 516, 518, 520,  
D9/529, 530, 549, 550, 552, 557, 572,  
D9/575, 715

(Continued)

(56) **References Cited**

U.S. PATENT DOCUMENTS

D270,998 S \* 10/1983 Stark ..... D9/416  
D283,397 S \* 4/1986 Monod ..... D9/545

(Continued)

*Primary Examiner* — Shannon W Morgan

*Assistant Examiner* — Keith Frank

(74) *Attorney, Agent, or Firm* — Adam K. Sacharoff;  
Much Shelist, P.C.

(57) **CLAIM**

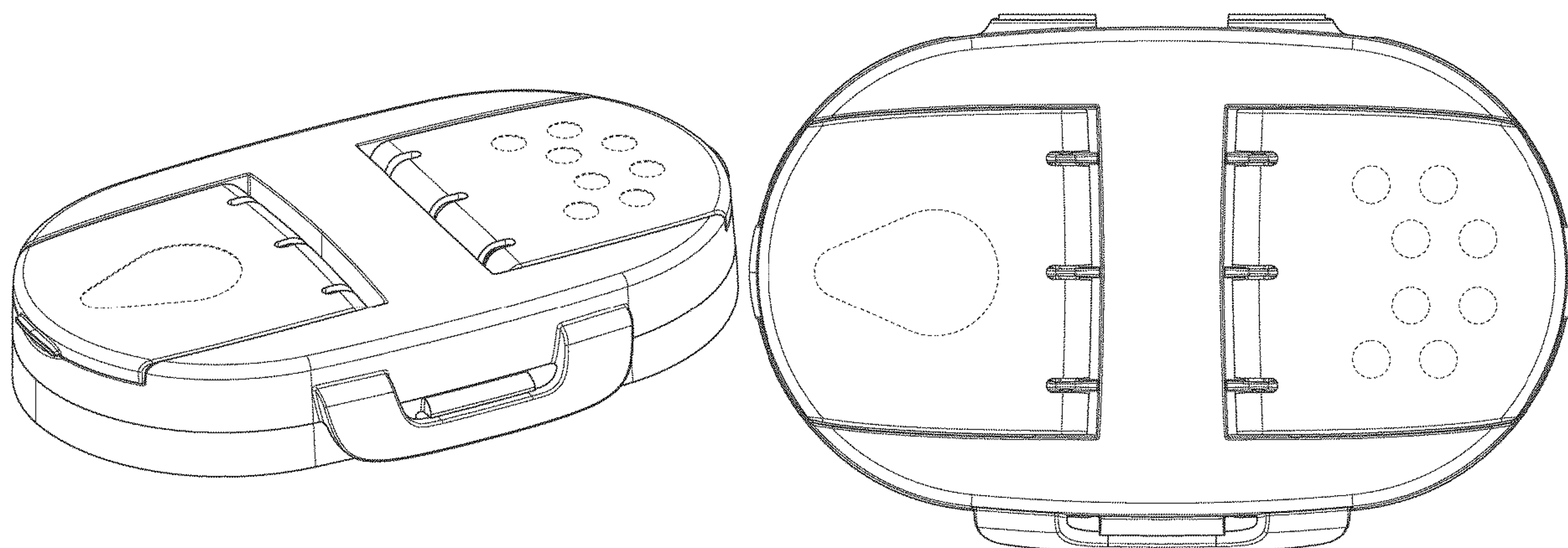
The ornamental design for a lid, as shown and described.

**DESCRIPTION**

FIG. 1 is a front left side perspective view showing the new design for a lid;

FIG. 2 is a rear right side perspective view thereof;  
FIG. 3 is a right side perspective view taken from underneath thereof;  
FIG. 4 is a front elevation view thereof;  
FIG. 5 is a rear elevation view thereof;  
FIG. 6 is a left side view thereof;  
FIG. 7 is a right side view thereof;  
FIG. 8 is a top plan view thereof;  
FIG. 9 is a bottom plan view thereof;  
FIG. 10 is a front left side perspective view thereof illustrating a pour cap in an open configuration;  
FIG. 11 is a rear left side perspective view thereof;  
FIG. 12 is a rear right side perspective view thereof;  
FIG. 13 is a front right side perspective view thereof;  
FIG. 14 is a front elevation view thereof;  
FIG. 15 is a rear elevation view thereof;  
FIG. 16 is a left side view thereof;  
FIG. 17 is a right side view thereof;  
FIG. 18 is a top plan view thereof;  
FIG. 19 is a front left side perspective view thereof illustrating a shaker cap in an open configuration;  
FIG. 20 is a rear left side perspective view thereof;  
FIG. 21 is a rear right side perspective view thereof;  
FIG. 22 is a front right side perspective view thereof;  
FIG. 23 is a front elevation view thereof;  
FIG. 24 is a rear elevation view thereof;  
FIG. 25 is a left side view thereof;  
FIG. 26 is a right side view thereof;  
FIG. 27 is a top plan view thereof;  
FIG. 28 is a front left side perspective view thereof illustrating a full cap in an open configuration;  
FIG. 29 is a rear left side perspective view thereof;  
FIG. 30 is a right side perspective view taken from underneath thereof;  
FIG. 31 is a front elevation view thereof;  
FIG. 32 is a rear elevation view thereof;  
FIG. 33 is a left side view thereof;  
FIG. 34 is a right side view thereof;  
FIG. 35 is a top plan view thereof; and  
FIG. 36 is a bottom plan view thereof.  
The broken lines in the FIGS. form no part of the claimed design.

**1 Claim, 36 Drawing Sheets**



(58) **Field of Classification Search**

CPC ..... B65D 2543/00194; B65D 2543/00805;  
B65D 2543/00694; B65D 43/163; B65D  
83/06

See application file for complete search history.

(56) **References Cited**

U.S. PATENT DOCUMENTS

D450,586 S \* 11/2001 Kick ..... D7/596  
D473,140 S \* 4/2003 Gilliam ..... D9/416  
D492,200 S \* 6/2004 Solowiejko ..... D9/416  
D513,452 S \* 1/2006 Parve ..... D9/435  
D538,664 S \* 3/2007 Solowiejko ..... D9/518  
D539,647 S \* 4/2007 Solowiejko ..... D9/447  
D599,203 S \* 9/2009 Wilson ..... D9/449  
D623,064 S \* 9/2010 Salmon ..... D9/524  
D640,926 S \* 7/2011 Turchi ..... D9/529  
8,286,817 B2 \* 10/2012 Wilson ..... B65D 47/0828  
220/254.2  
D743,267 S \* 11/2015 Rathbone ..... D9/543  
D743,268 S \* 11/2015 Rathbone ..... D9/543  
D763,681 S \* 8/2016 Morgan ..... D9/428  
D770,296 S \* 11/2016 Rothfos ..... D9/432  
9,511,890 B2 \* 12/2016 Gill ..... B65D 1/10  
9,930,996 B2 \* 4/2018 Wiggins ..... A47J 47/06  
D817,113 S \* 5/2018 Wong ..... D7/629  
2005/0040168 A1 \* 2/2005 Solowiejko ..... B65D 21/022  
220/254.2

\* cited by examiner

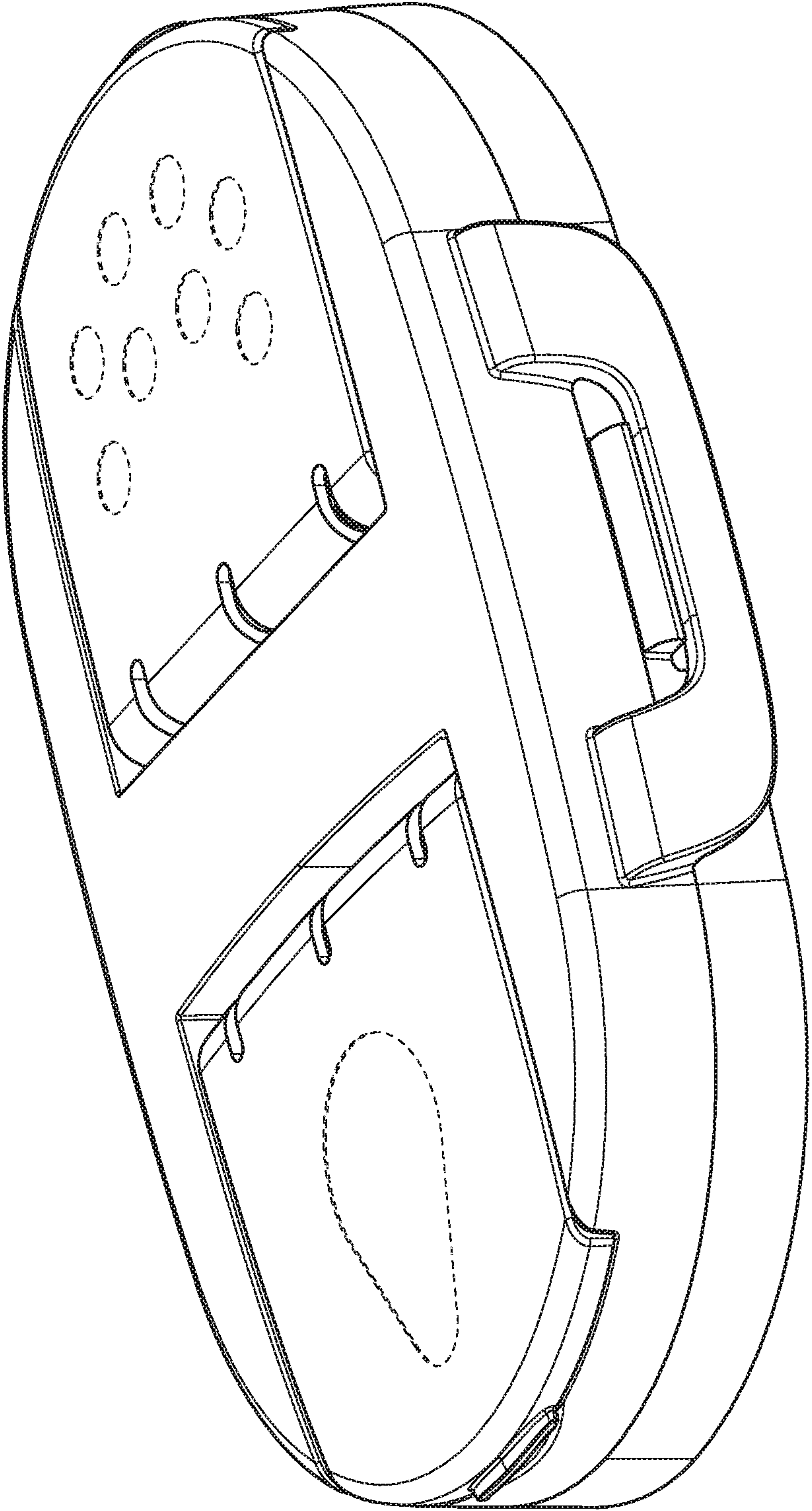


FIG. 1



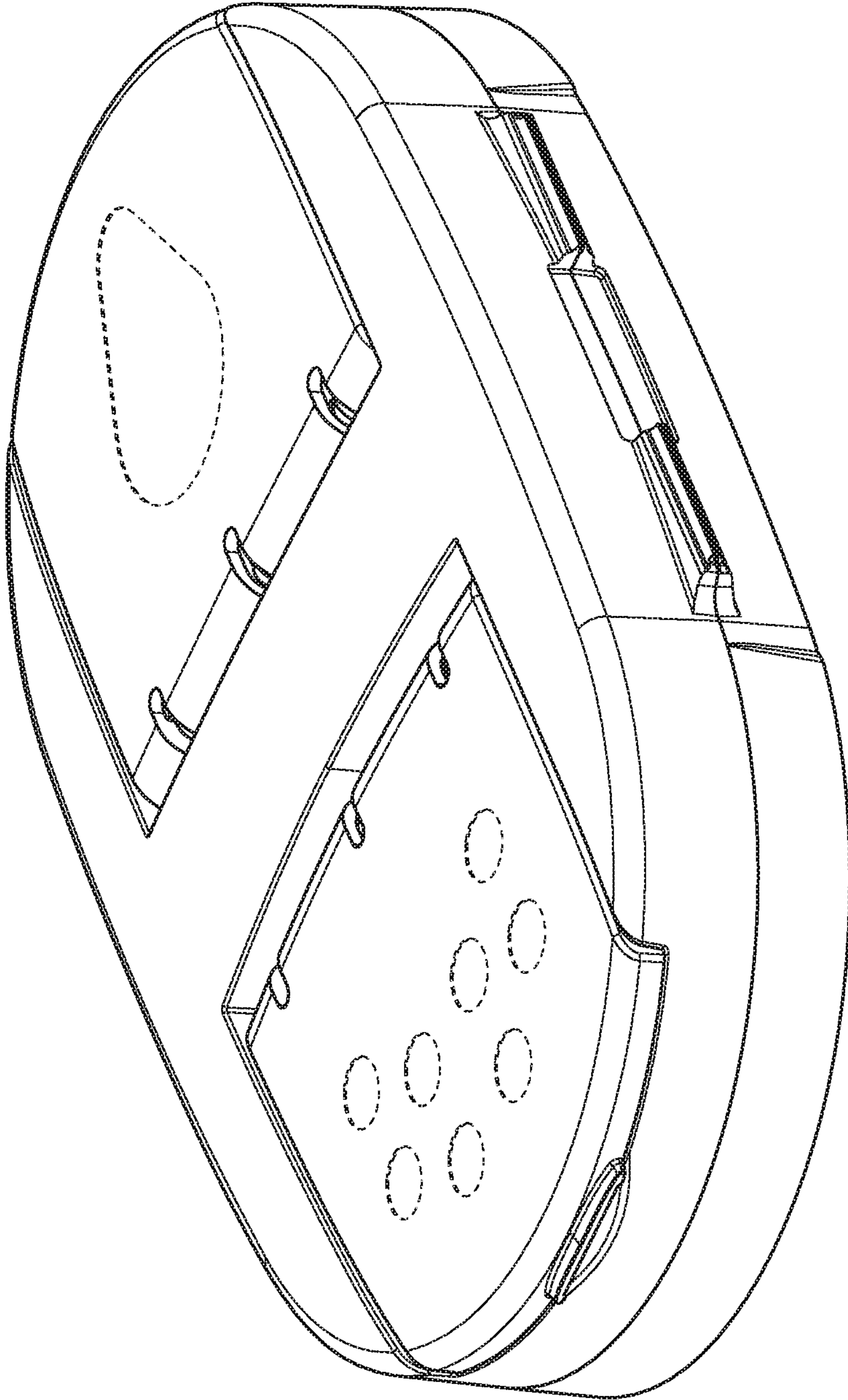


FIG. 2

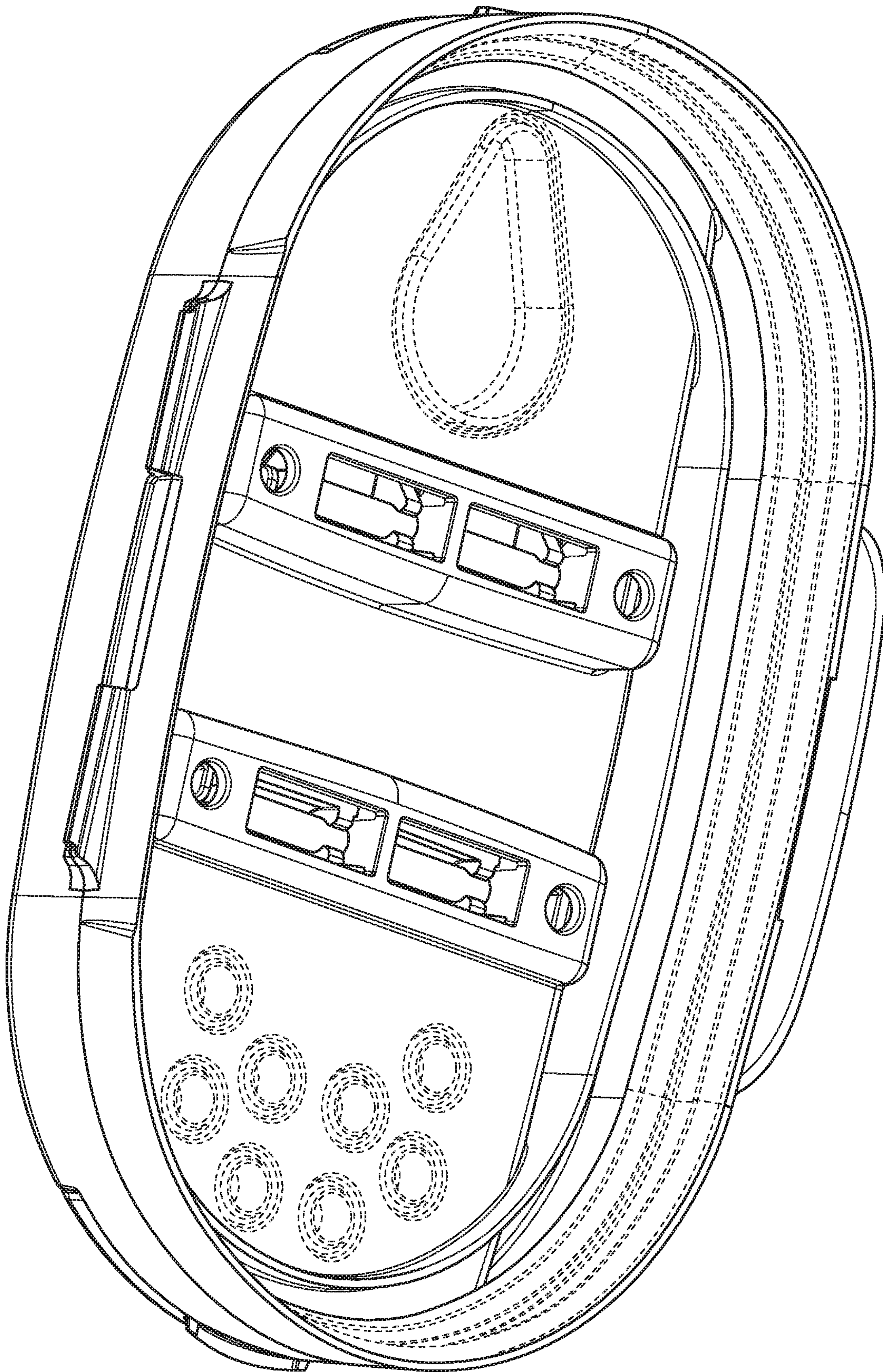


FIG. 3



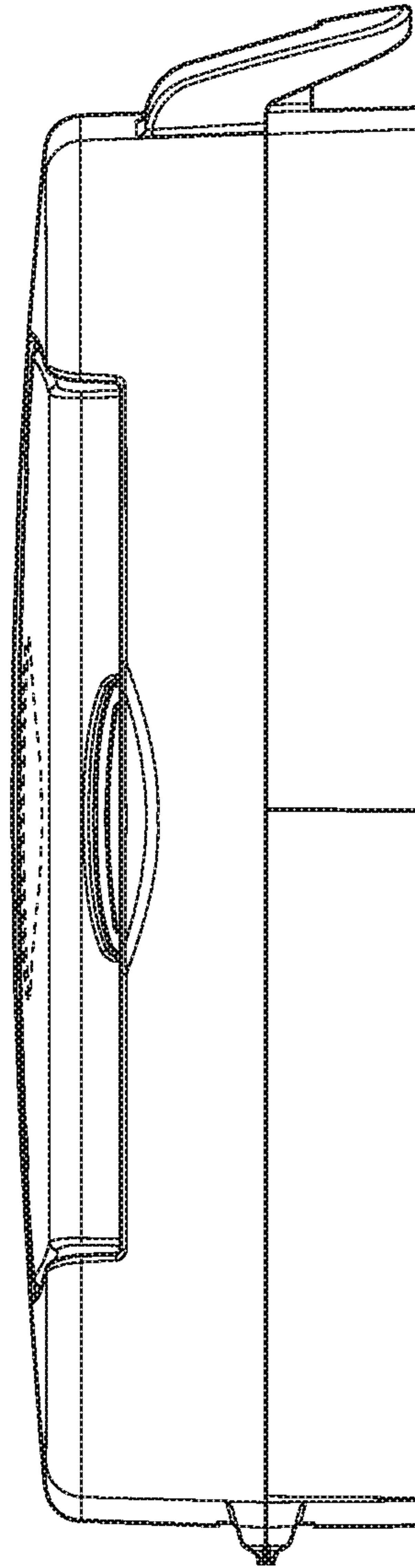


FIG. 4

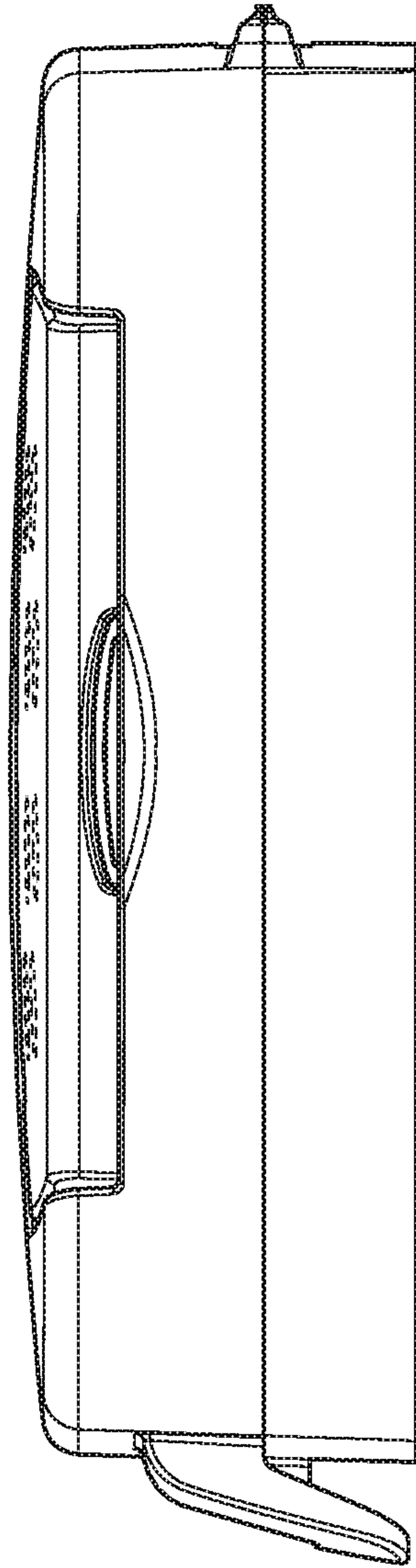


FIG. 5

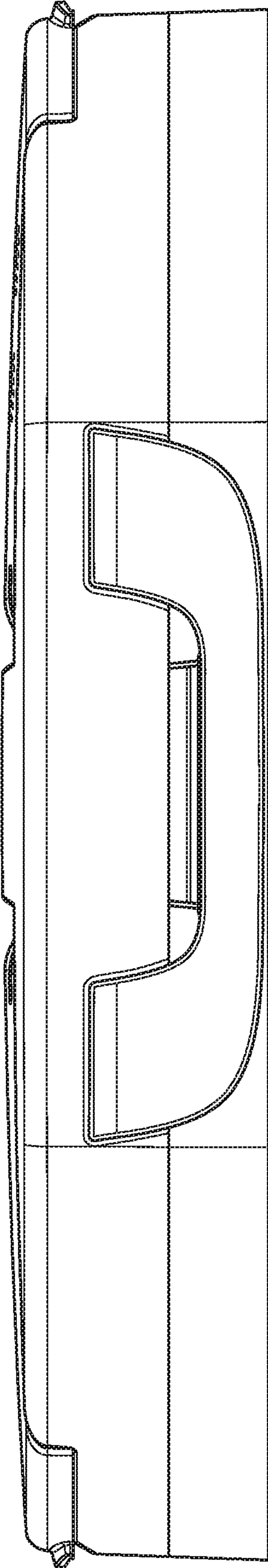


FIG. 6



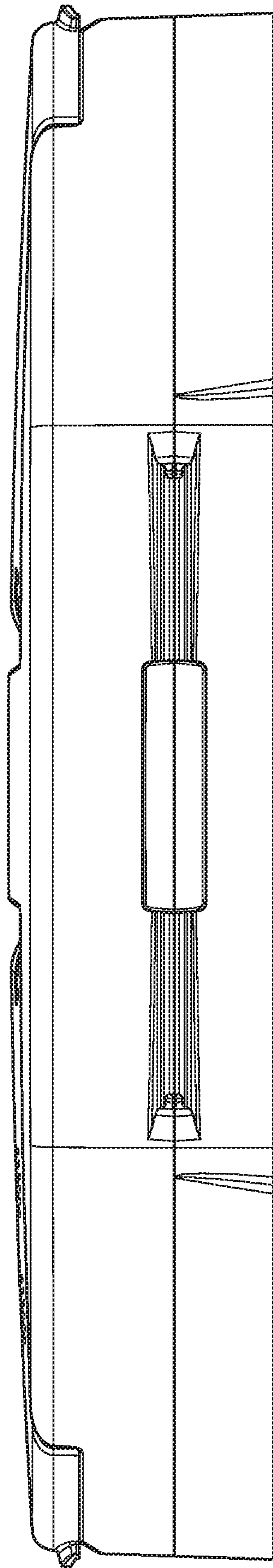


FIG. 7

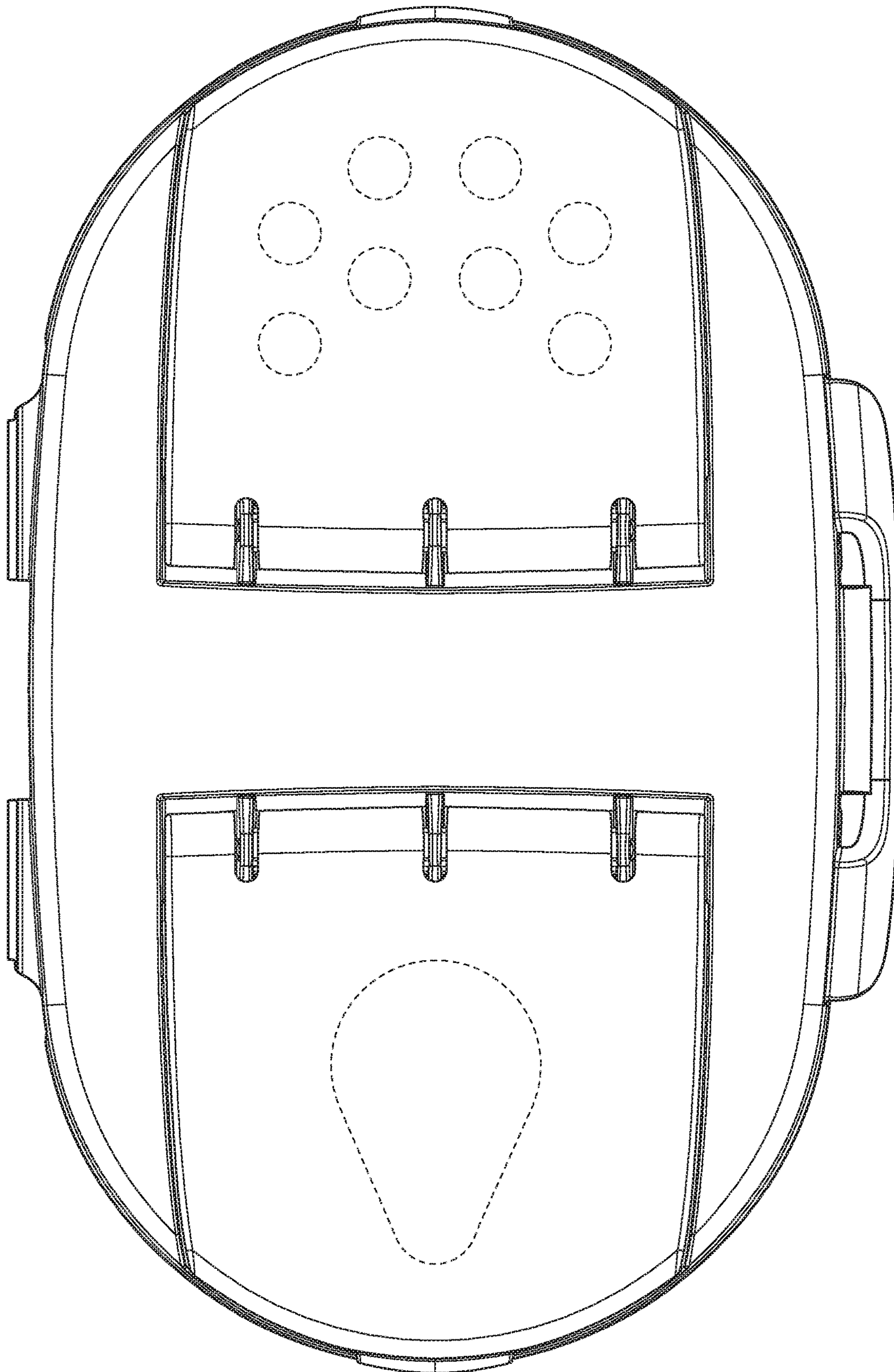


FIG. 8



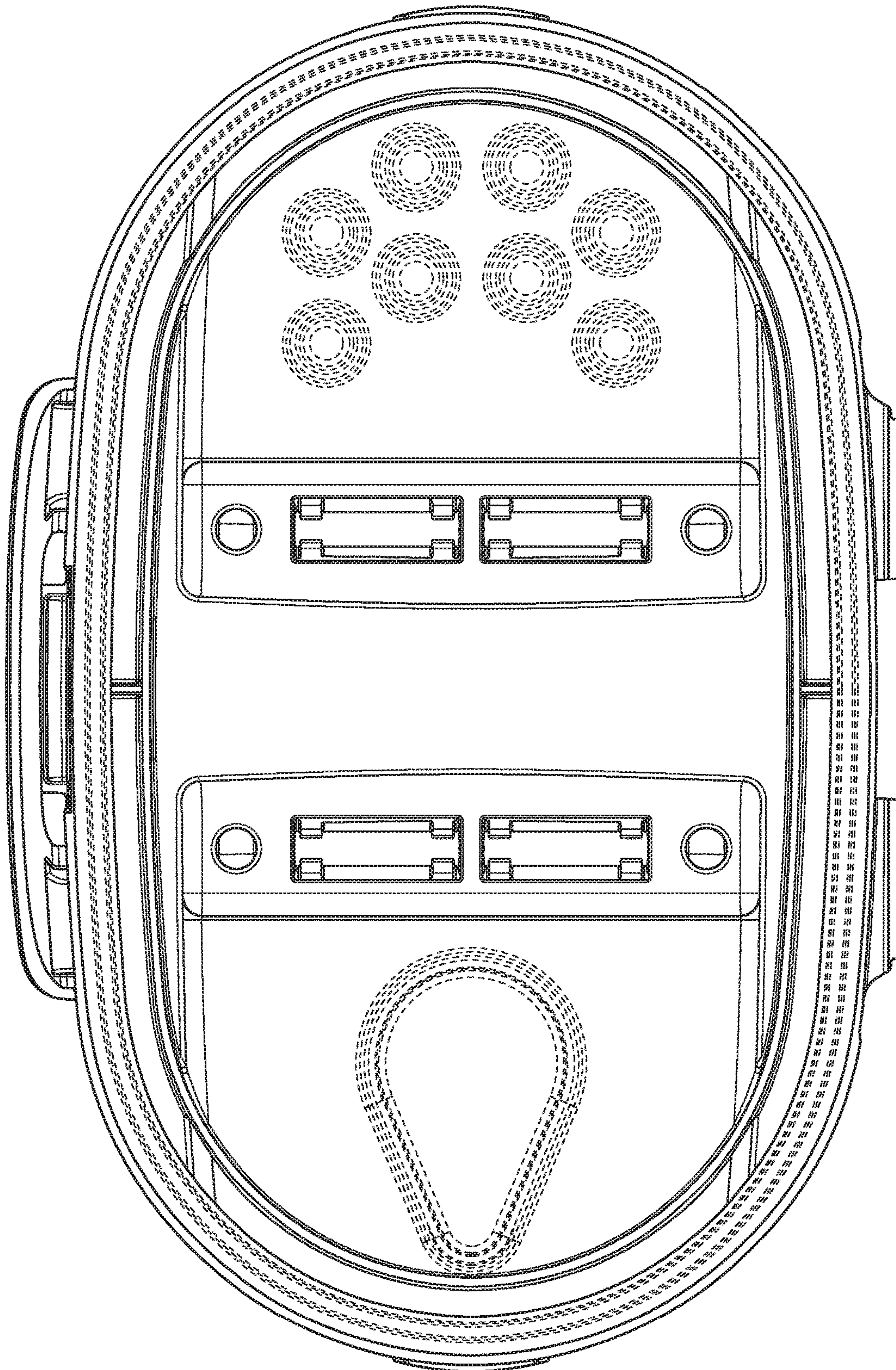


FIG. 9



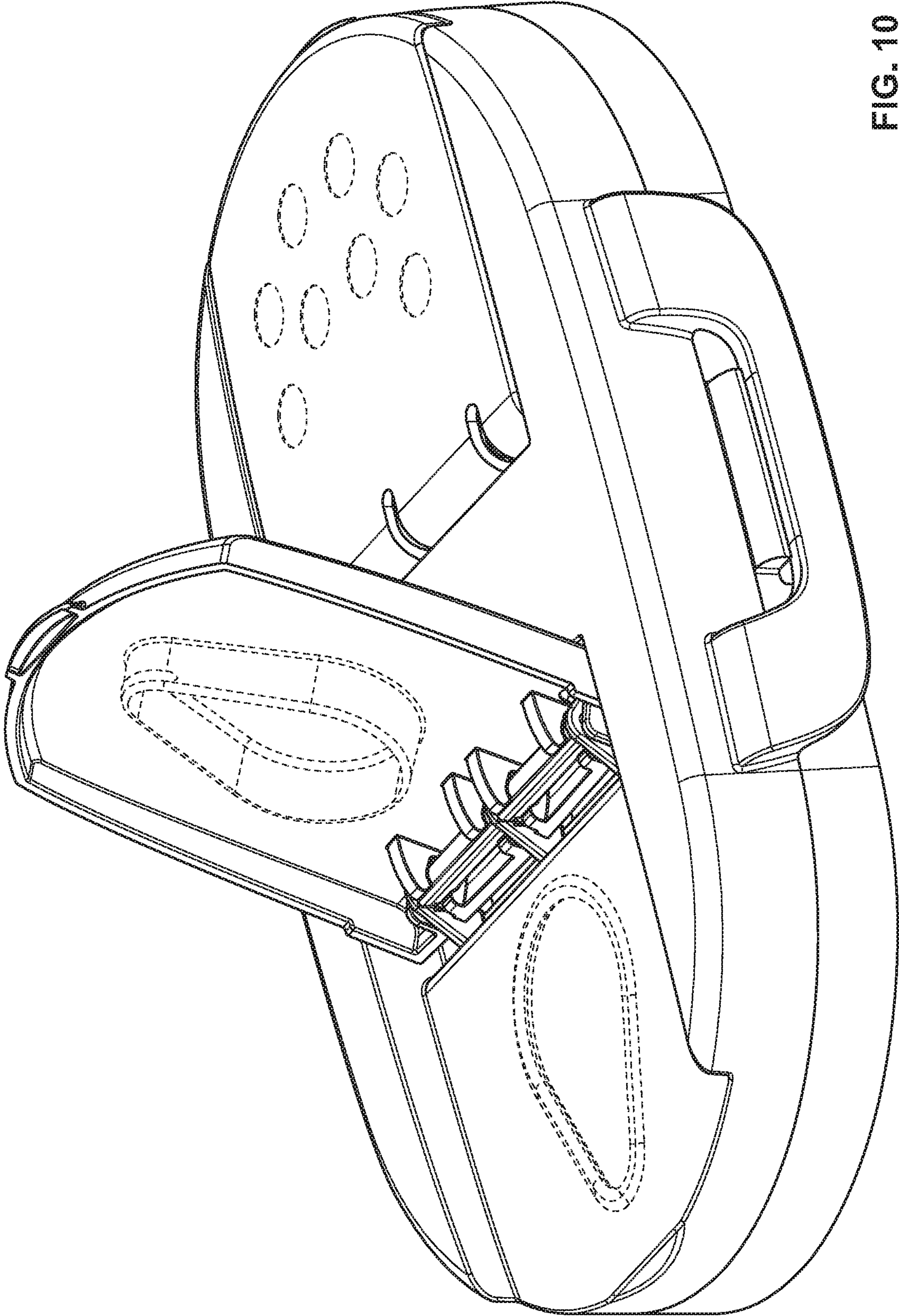


FIG. 10

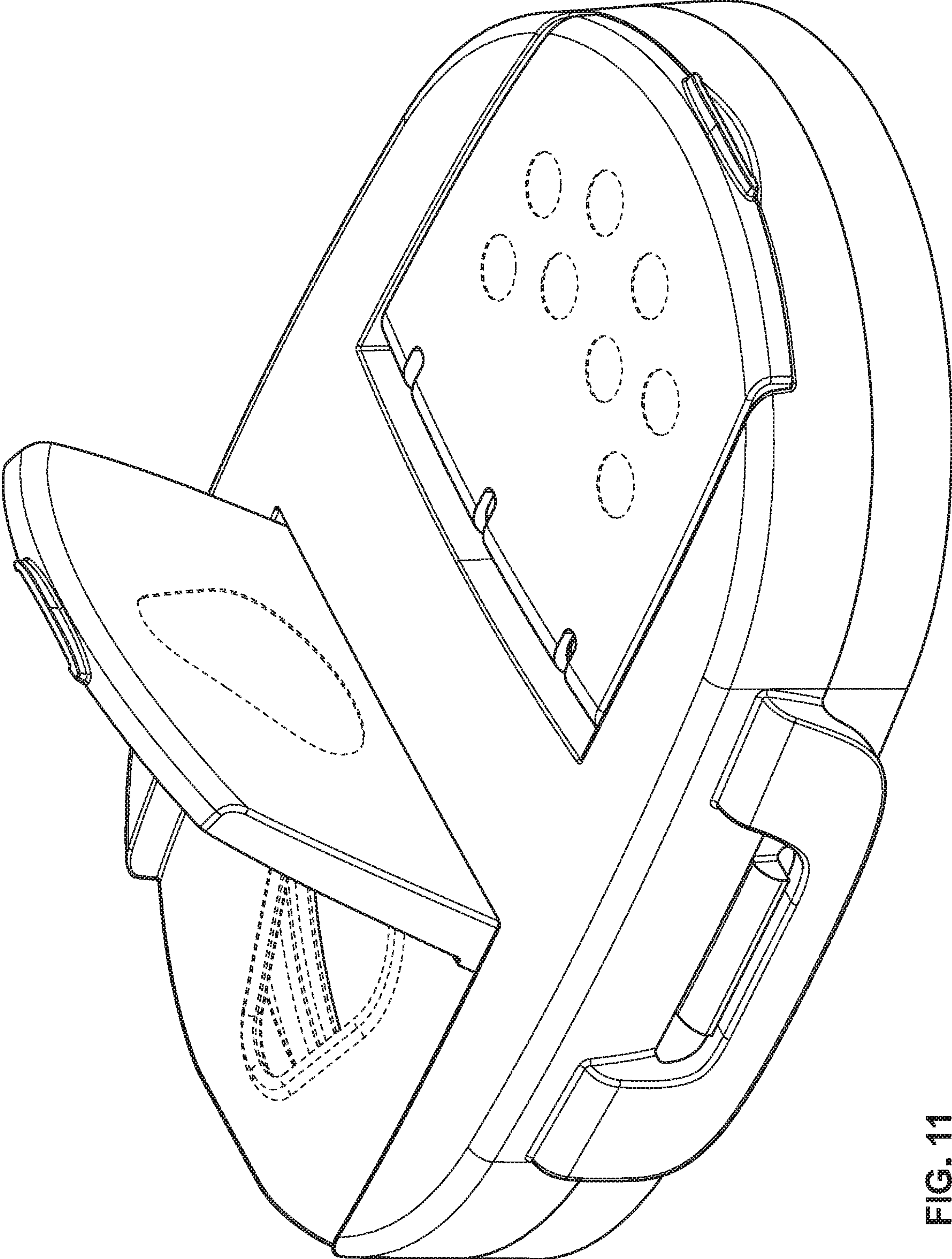


FIG. 11



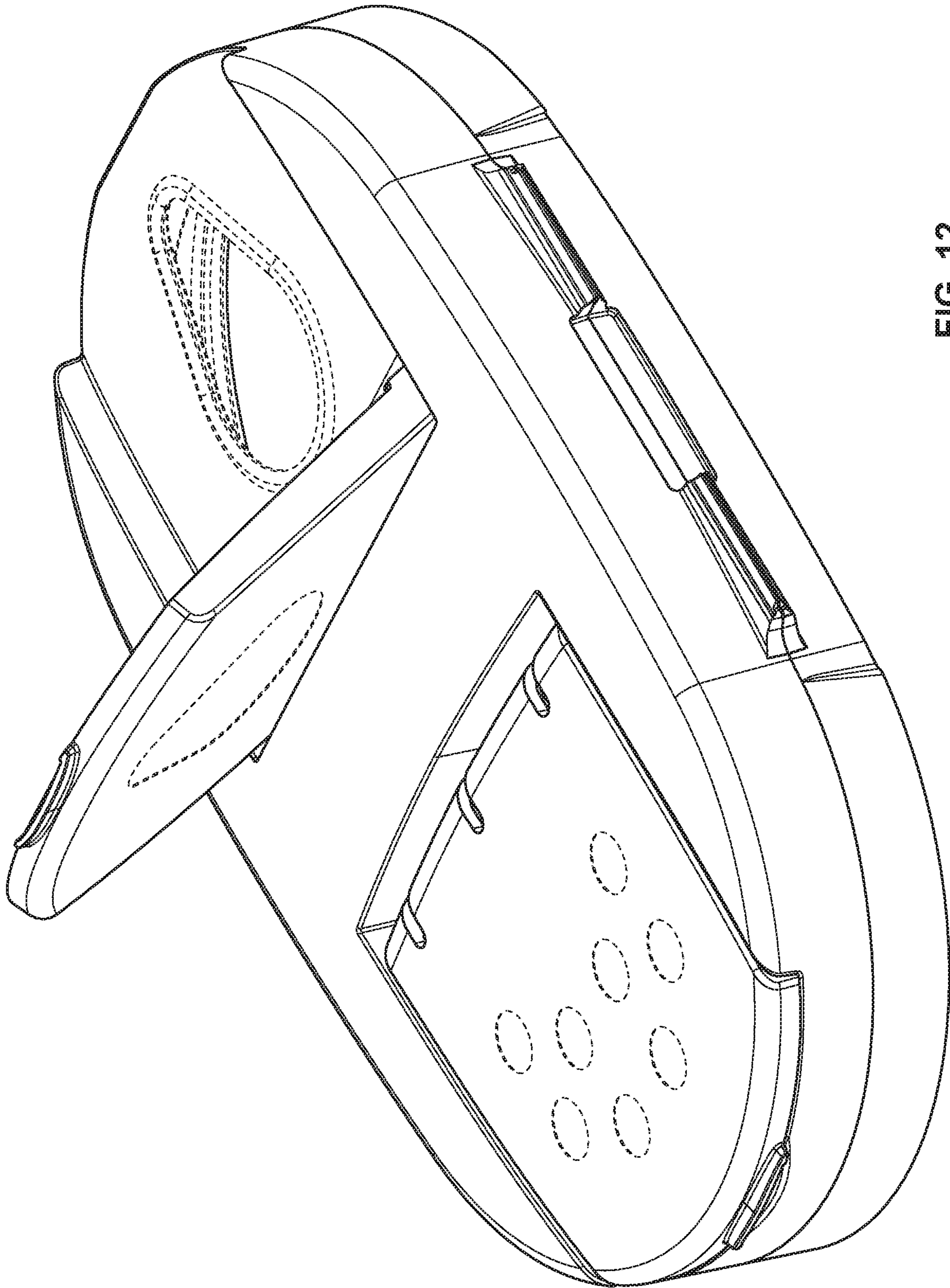


FIG. 12



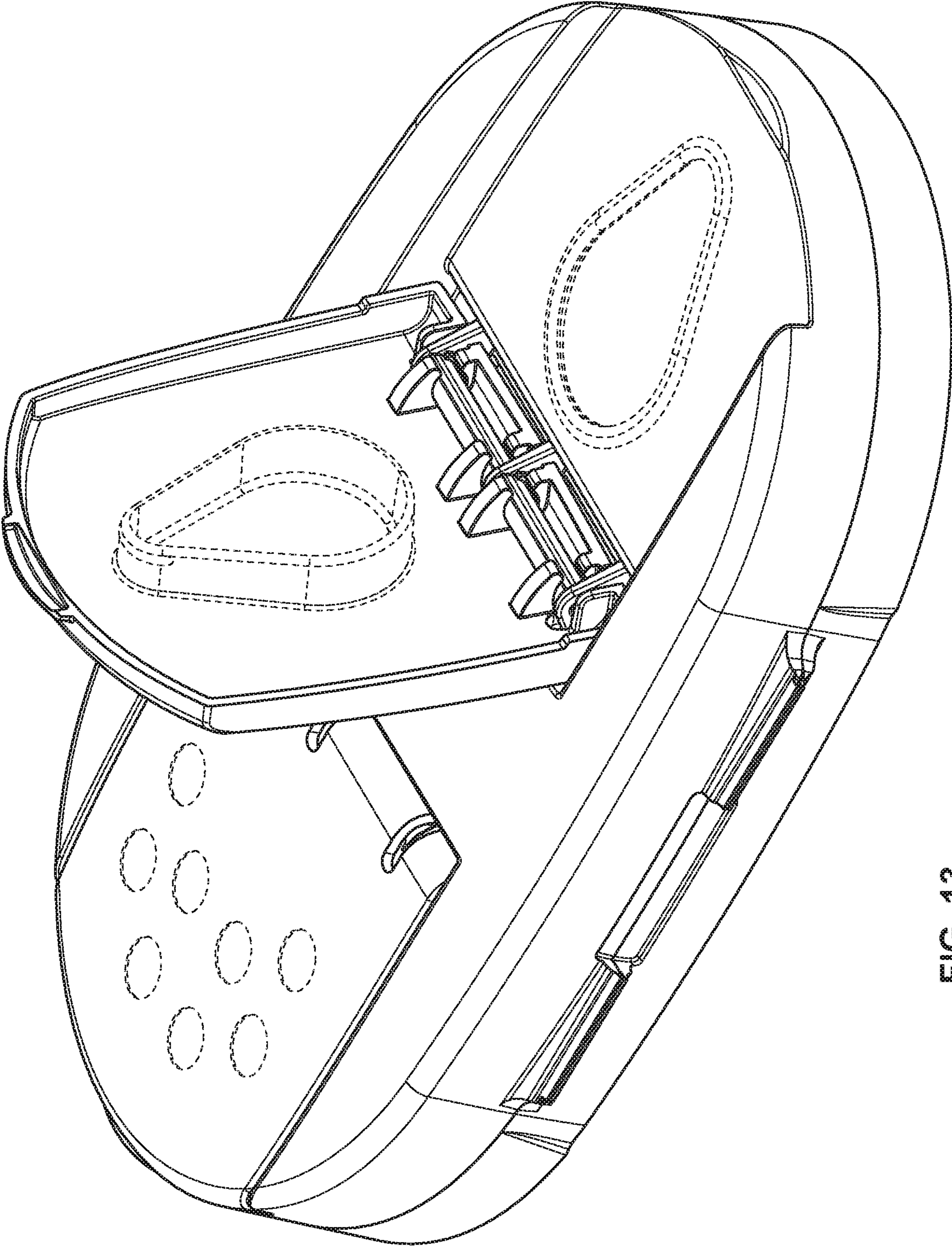


FIG. 13

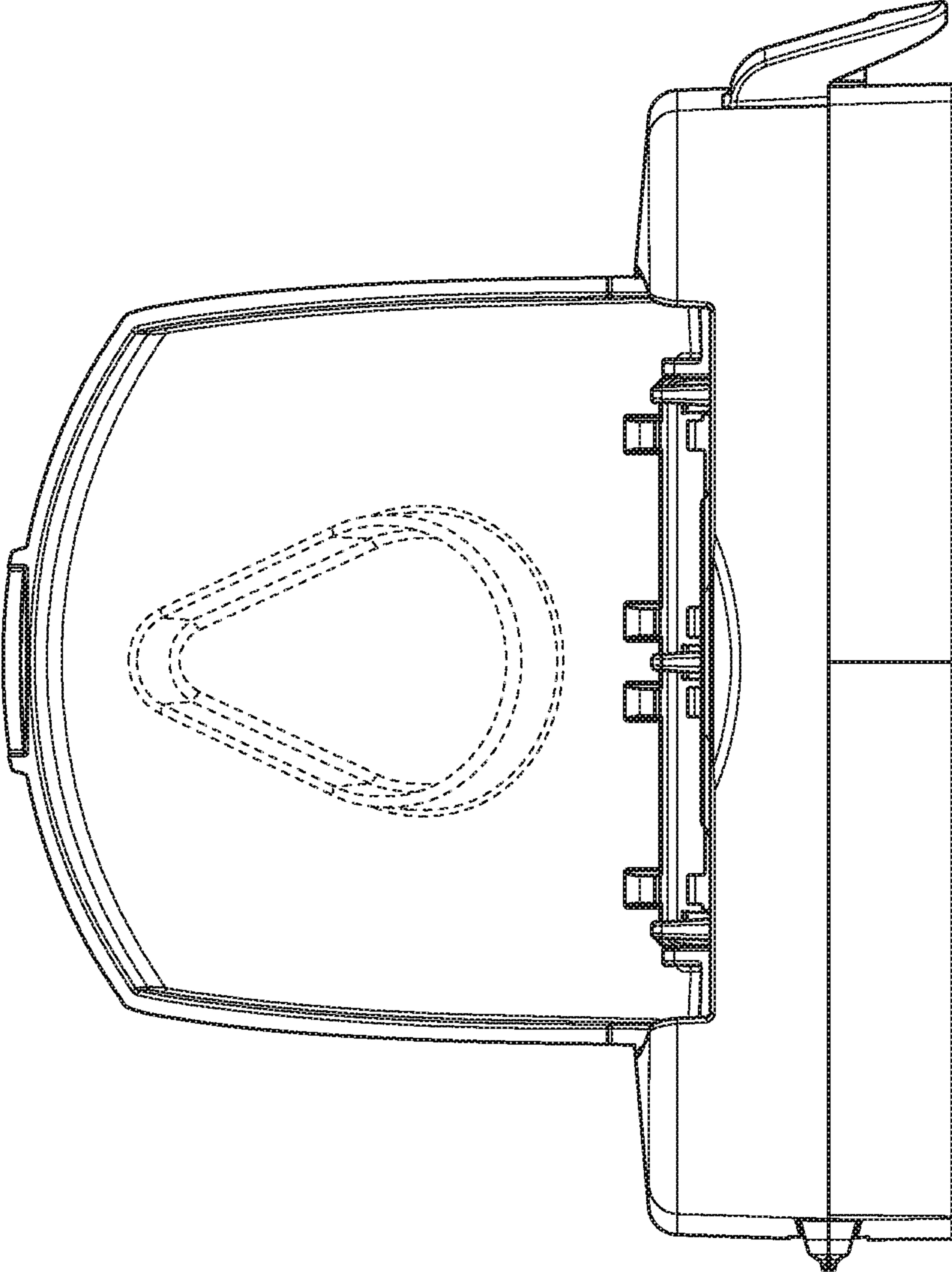


FIG. 14

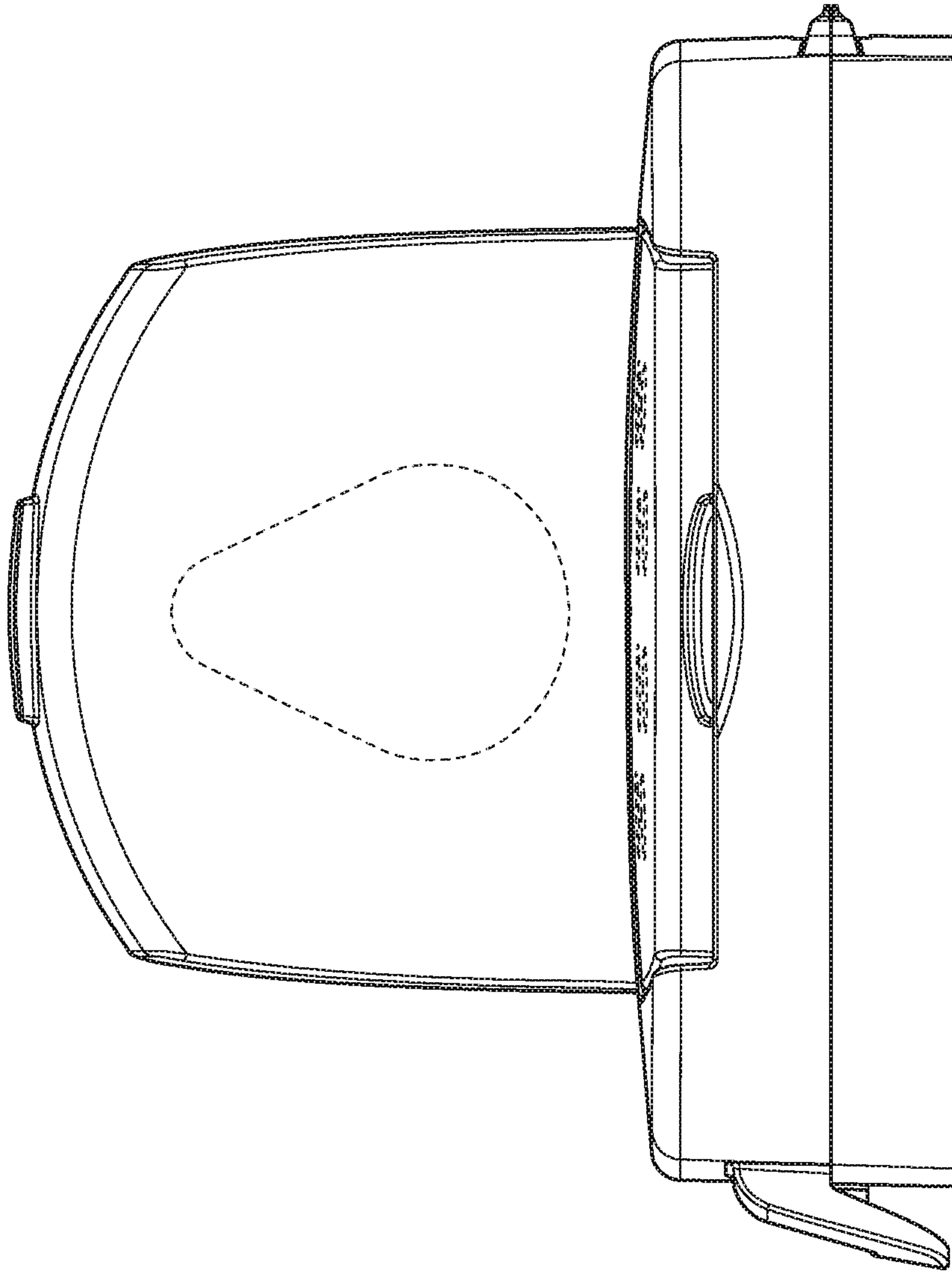


FIG. 15



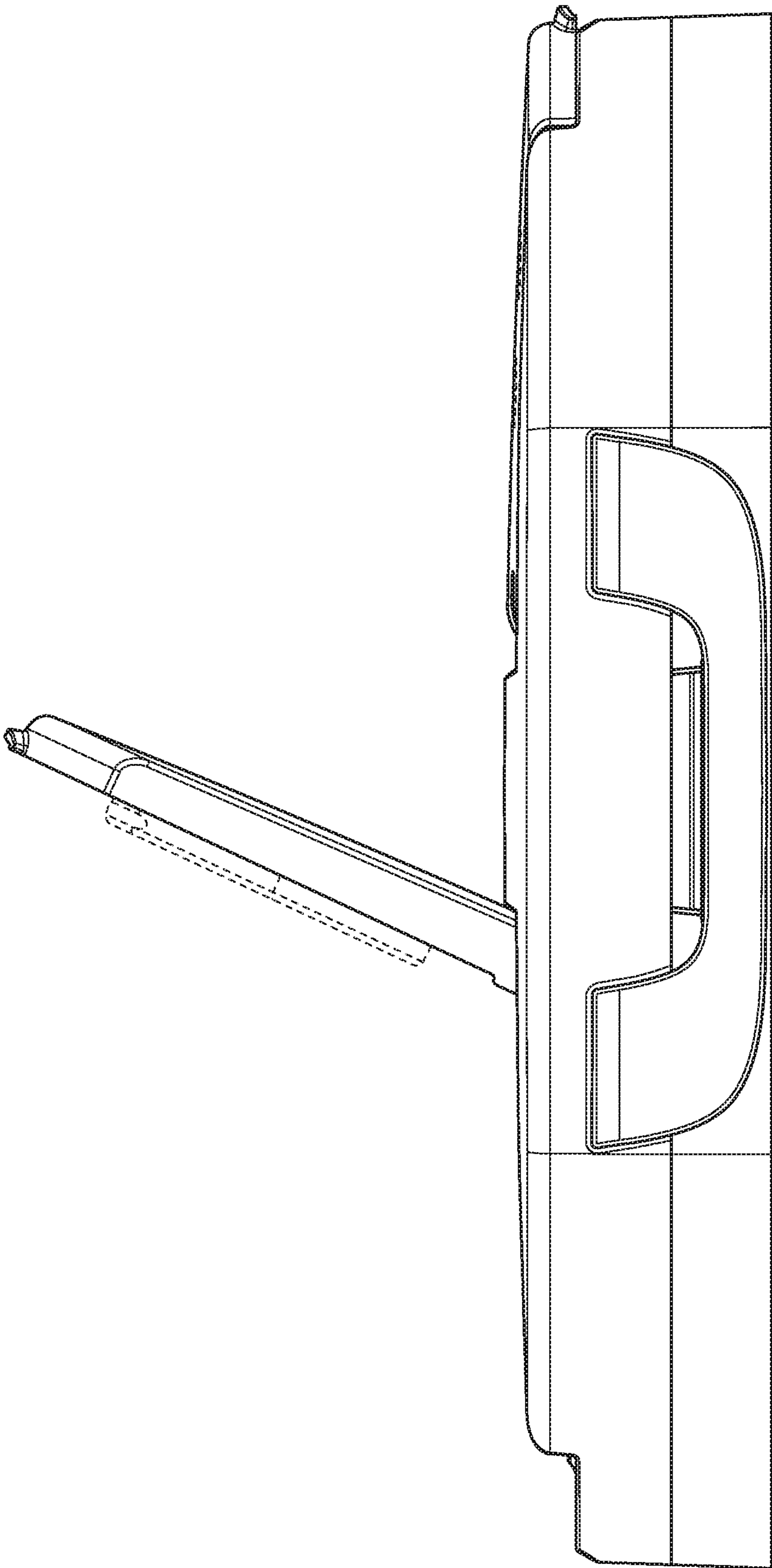


FIG. 16

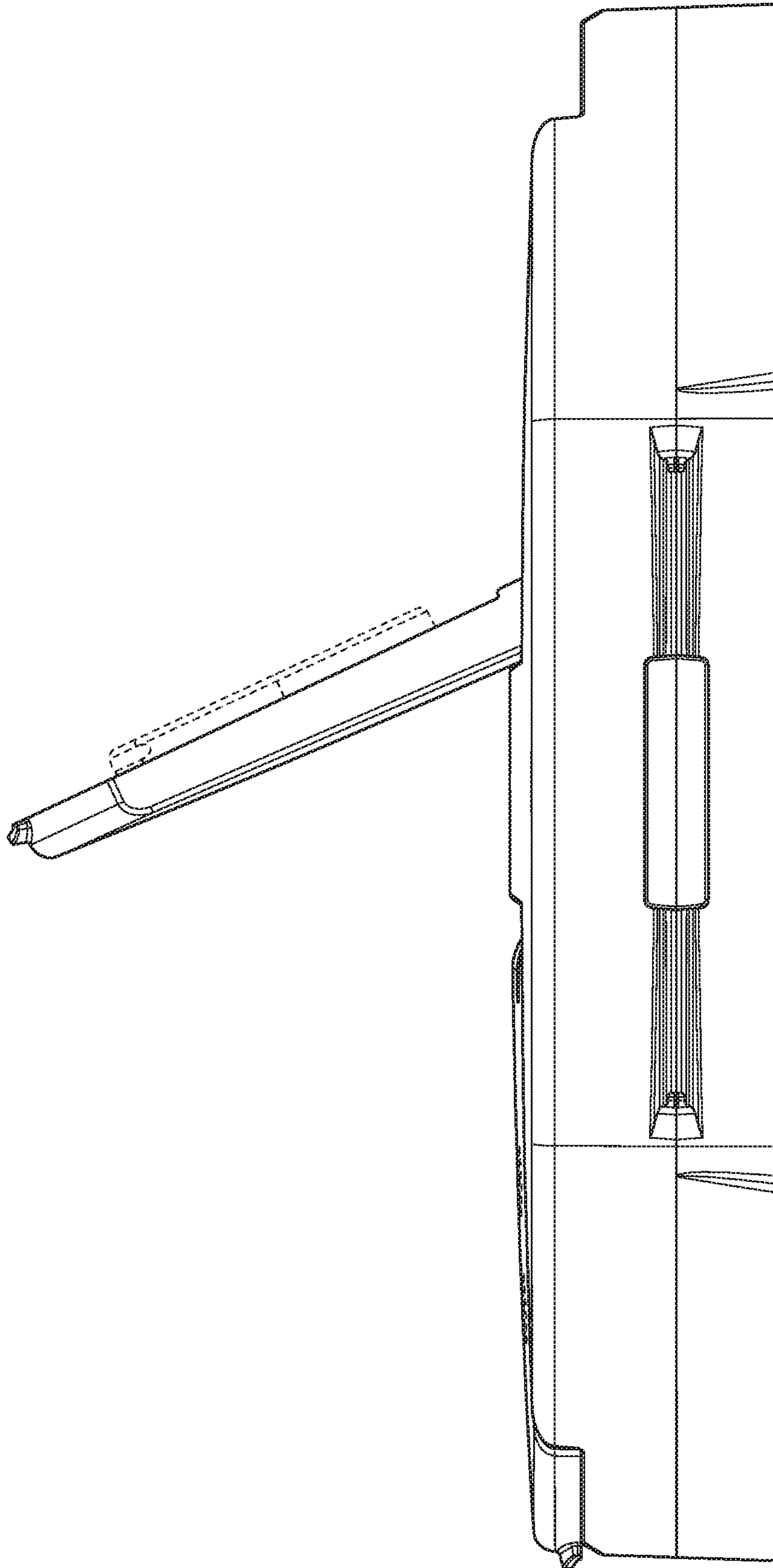


FIG. 17

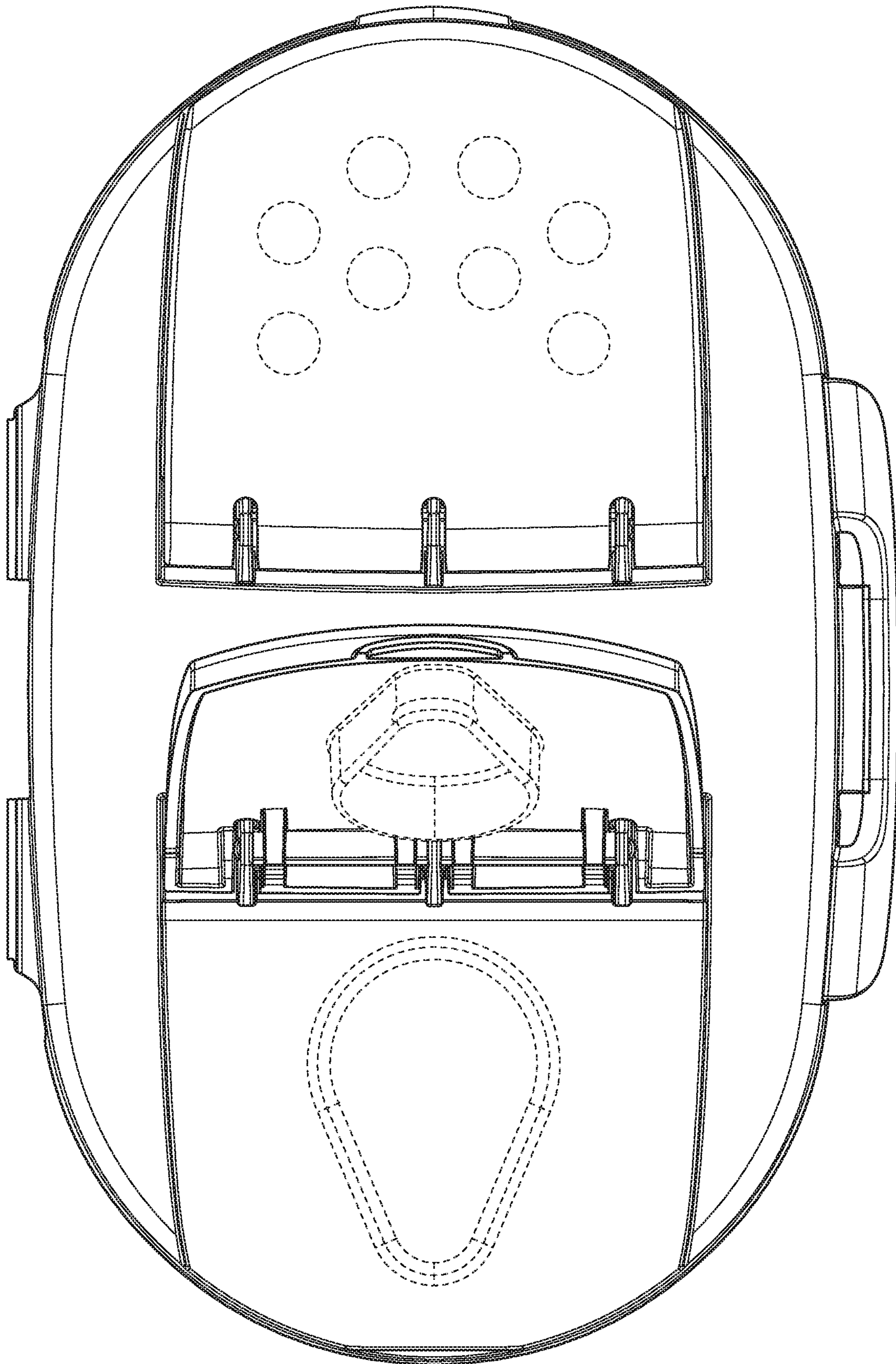


FIG. 18



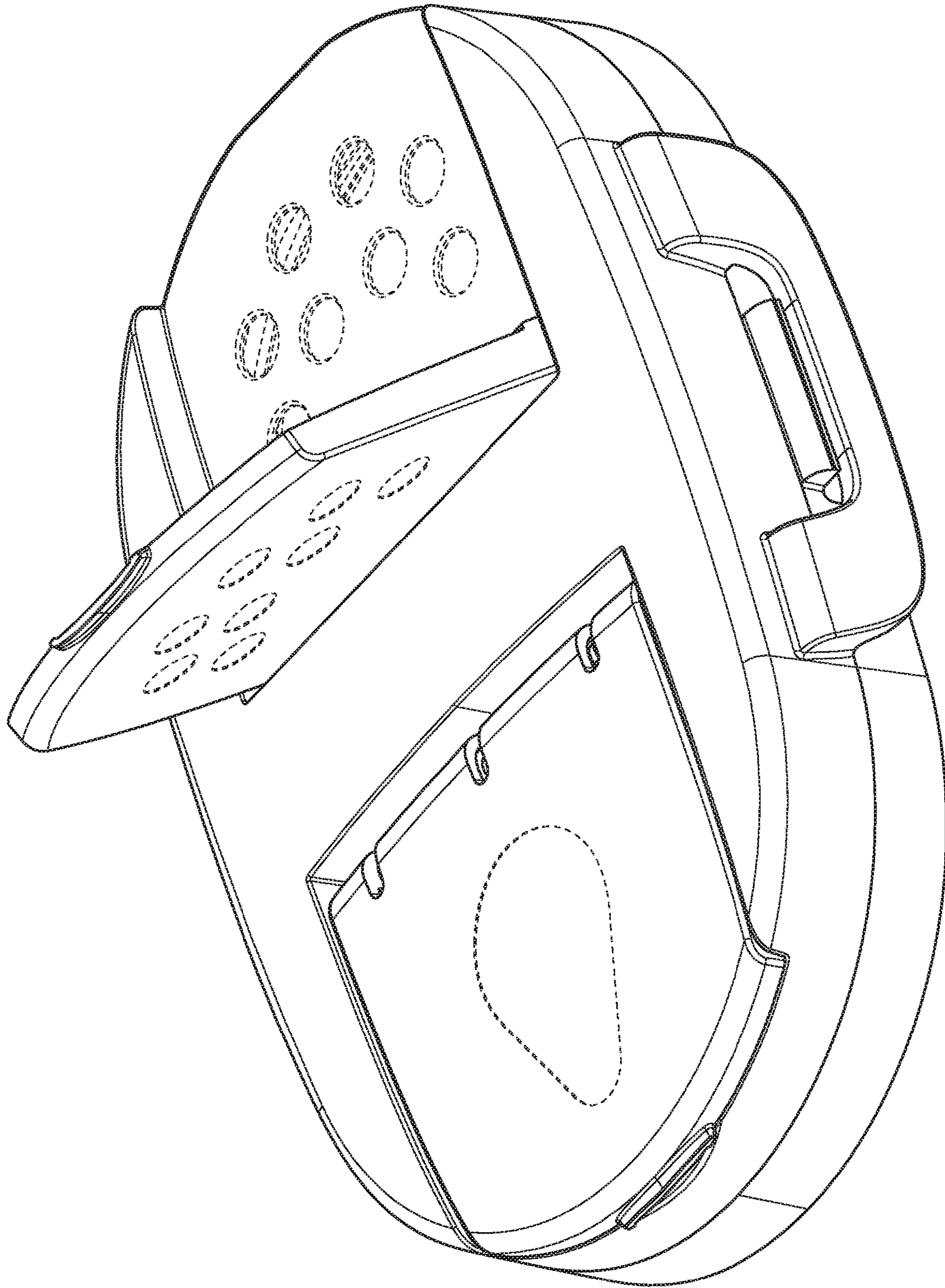


FIG. 19

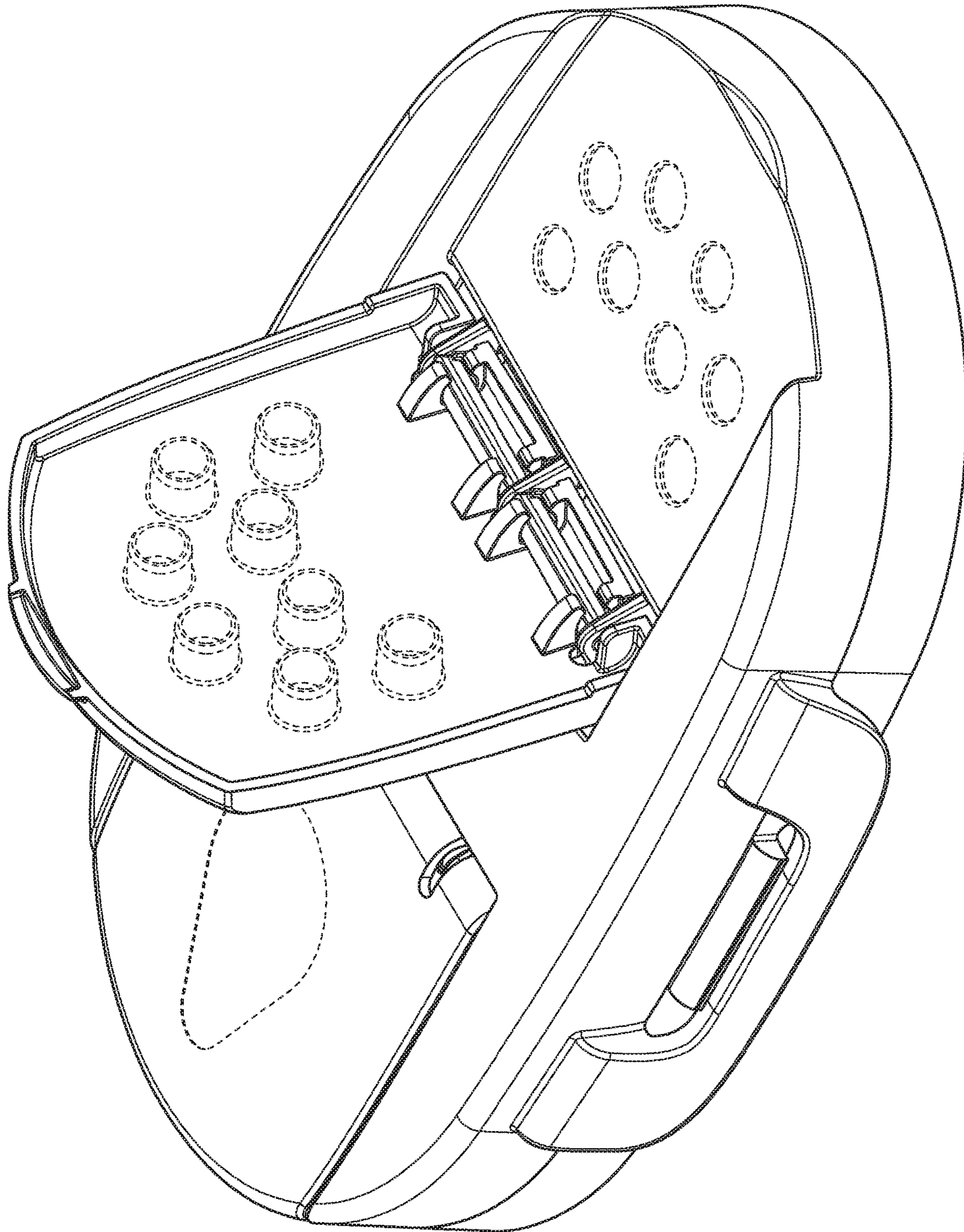


FIG. 20



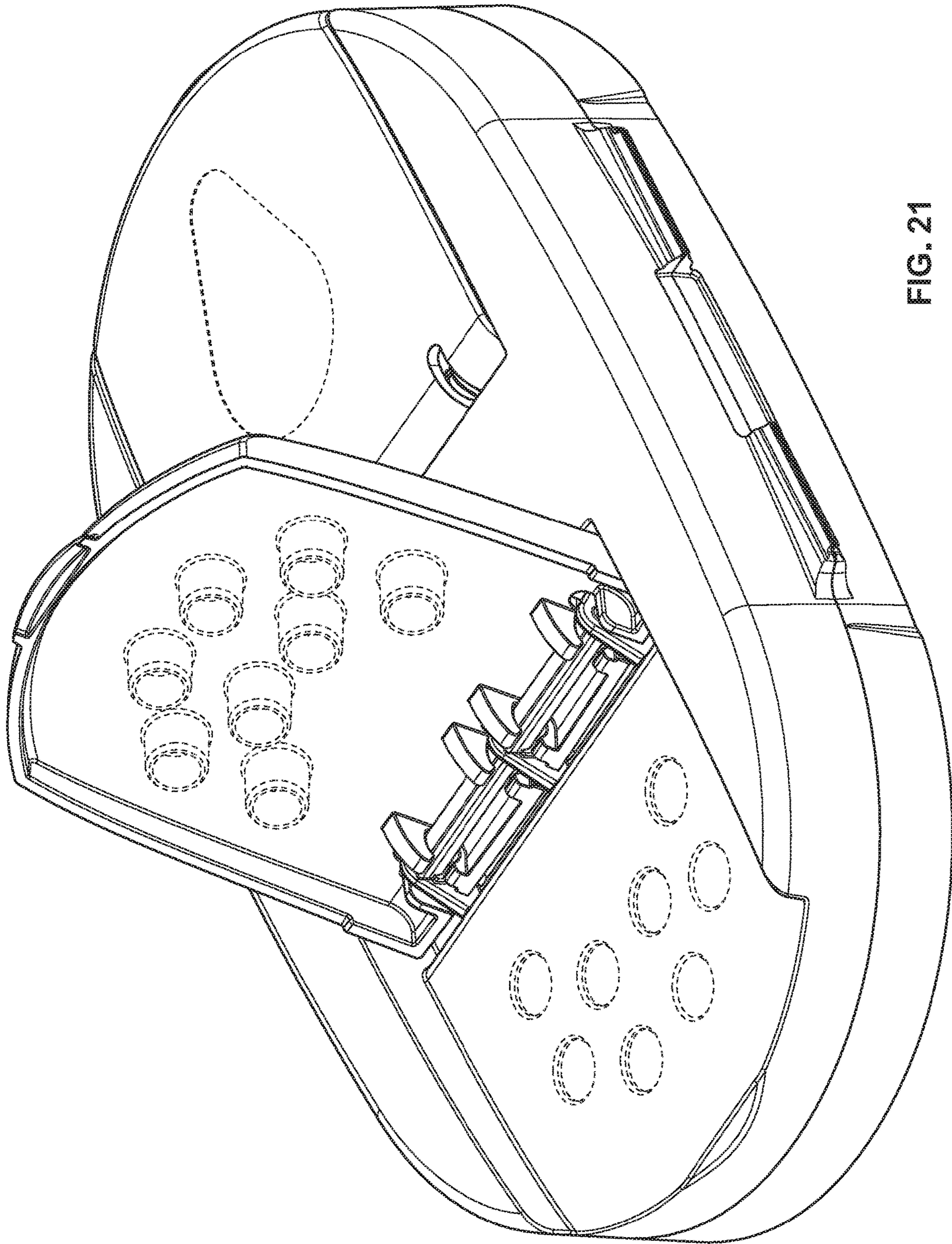


FIG. 21



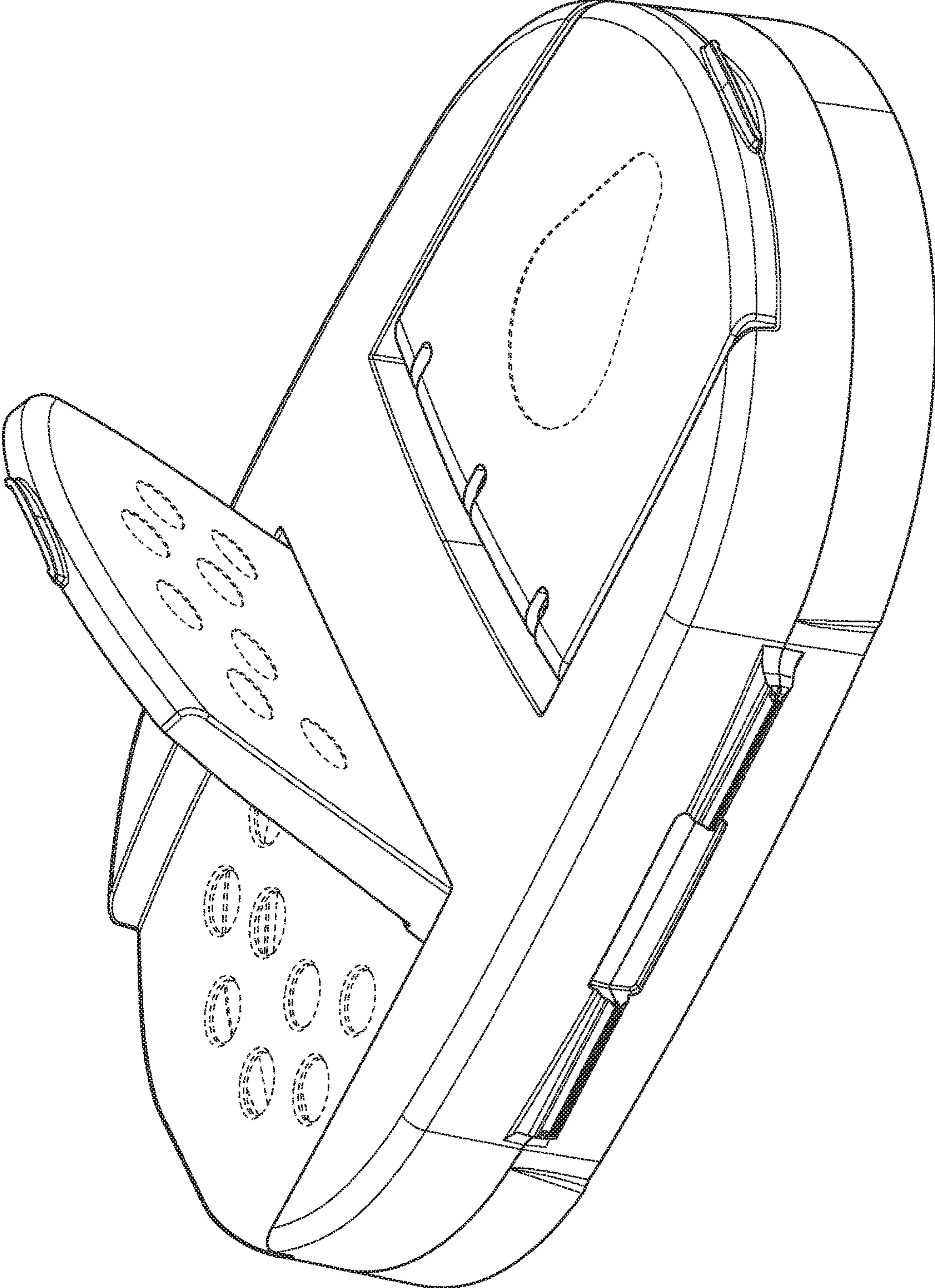


FIG. 22

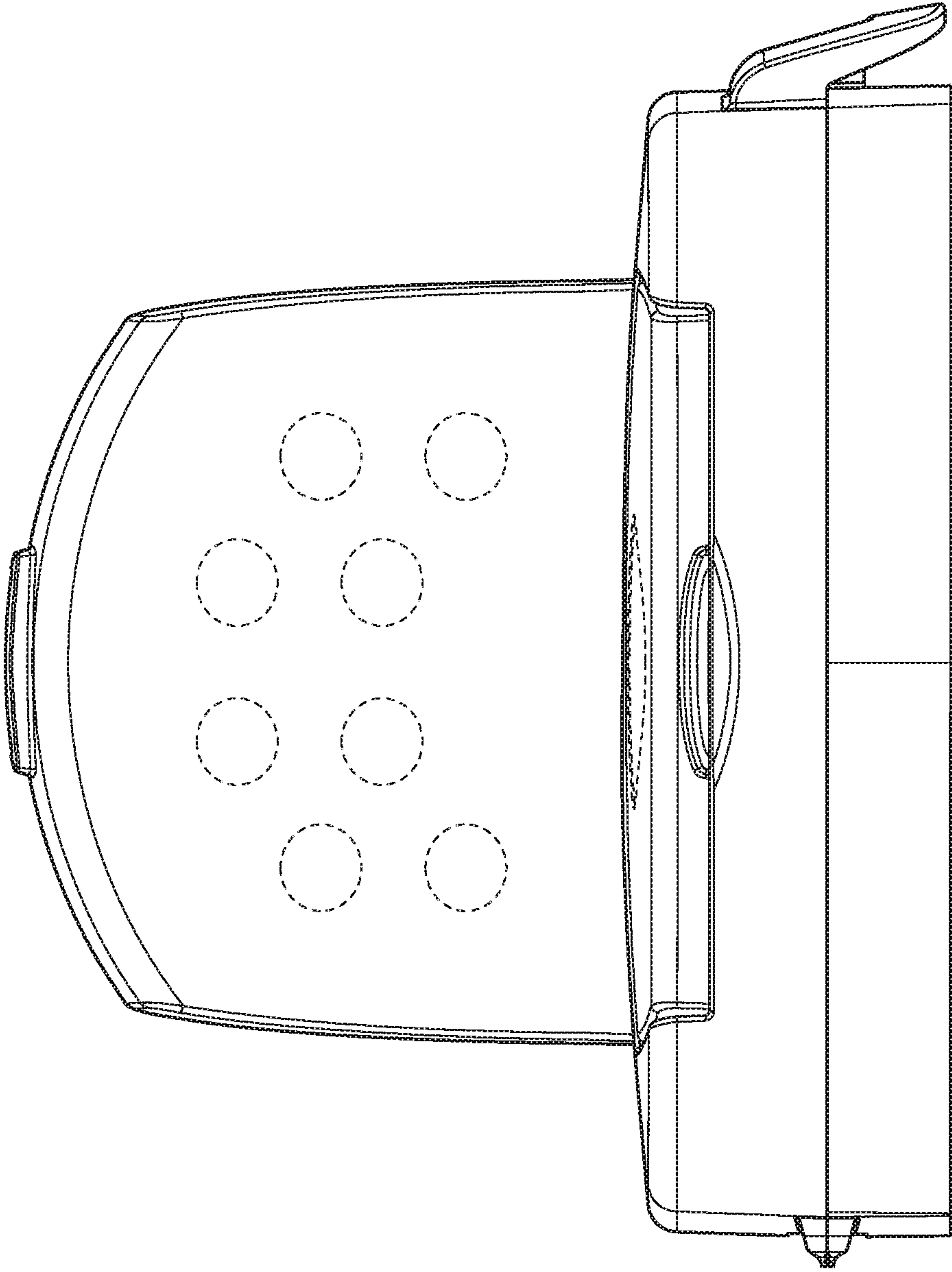


FIG. 23

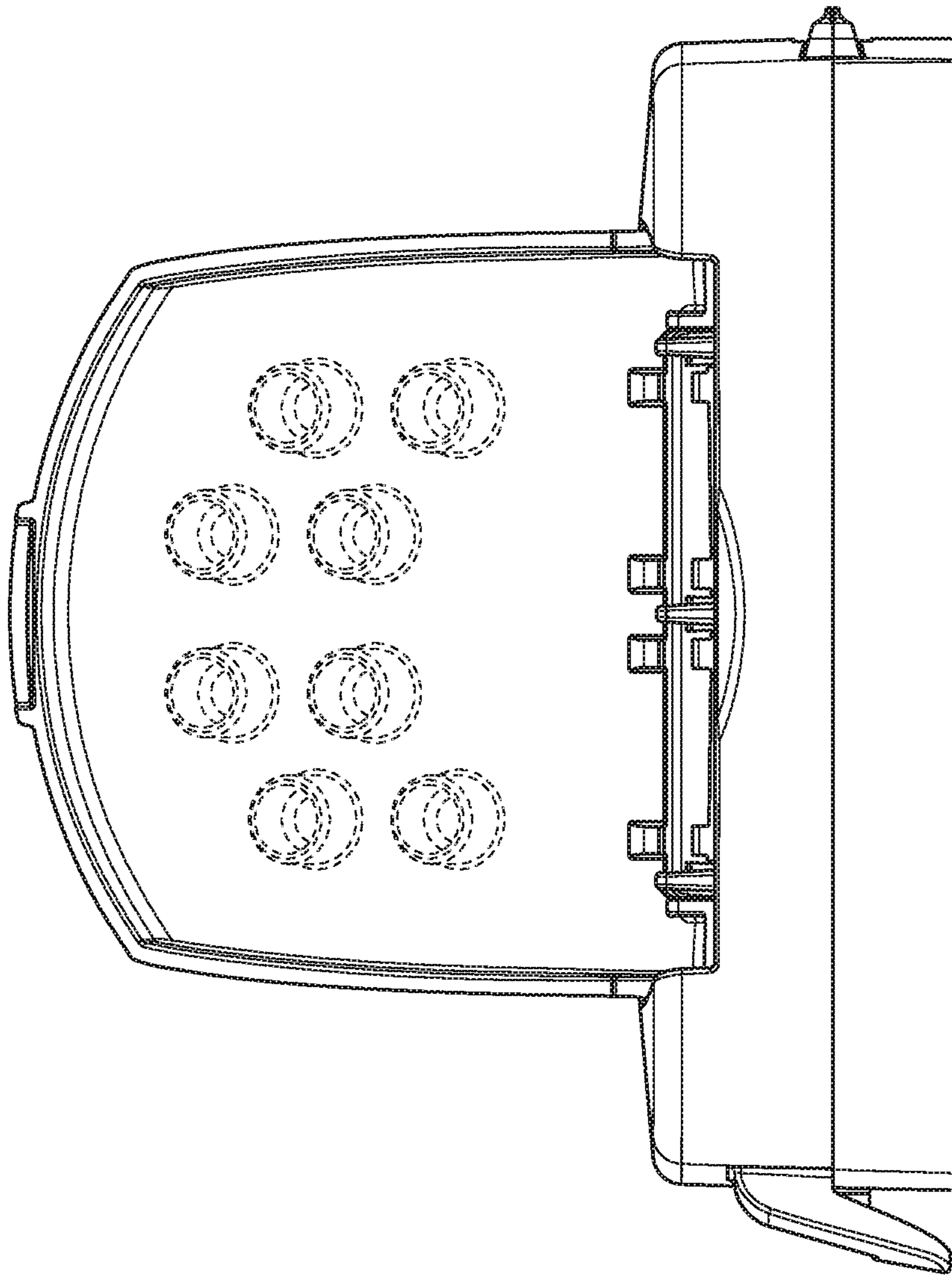


FIG. 24



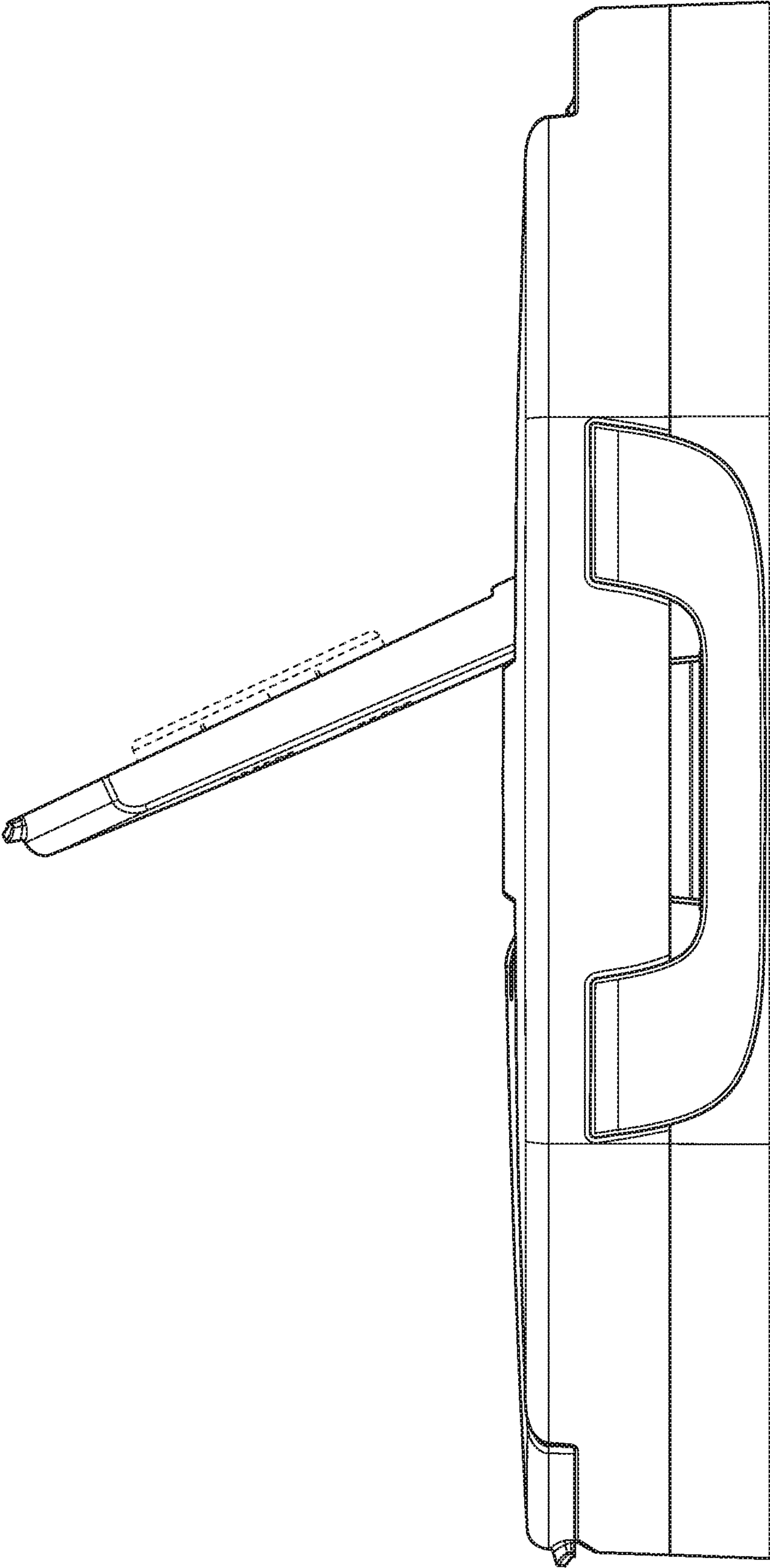


FIG. 25

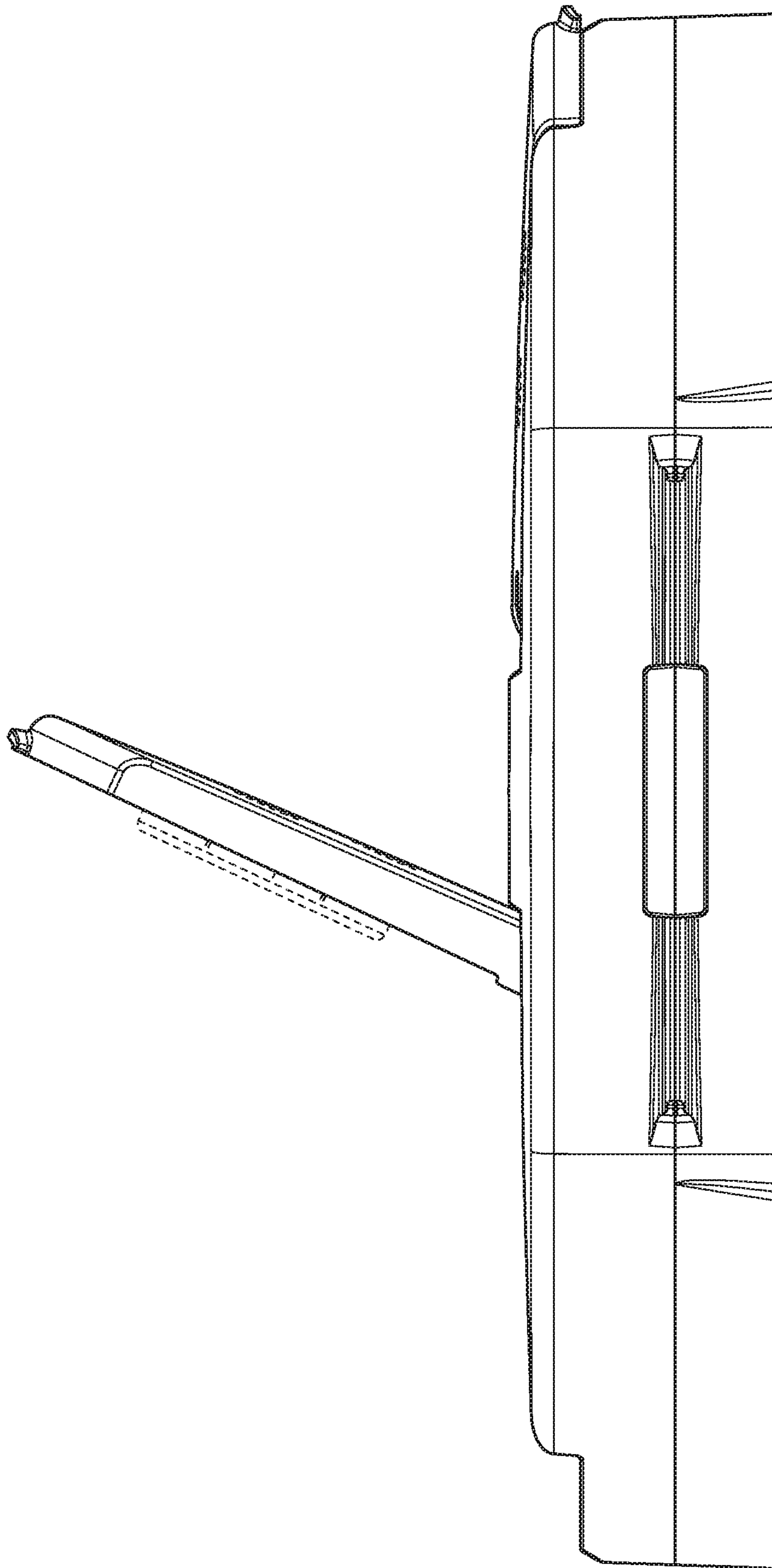


FIG. 26

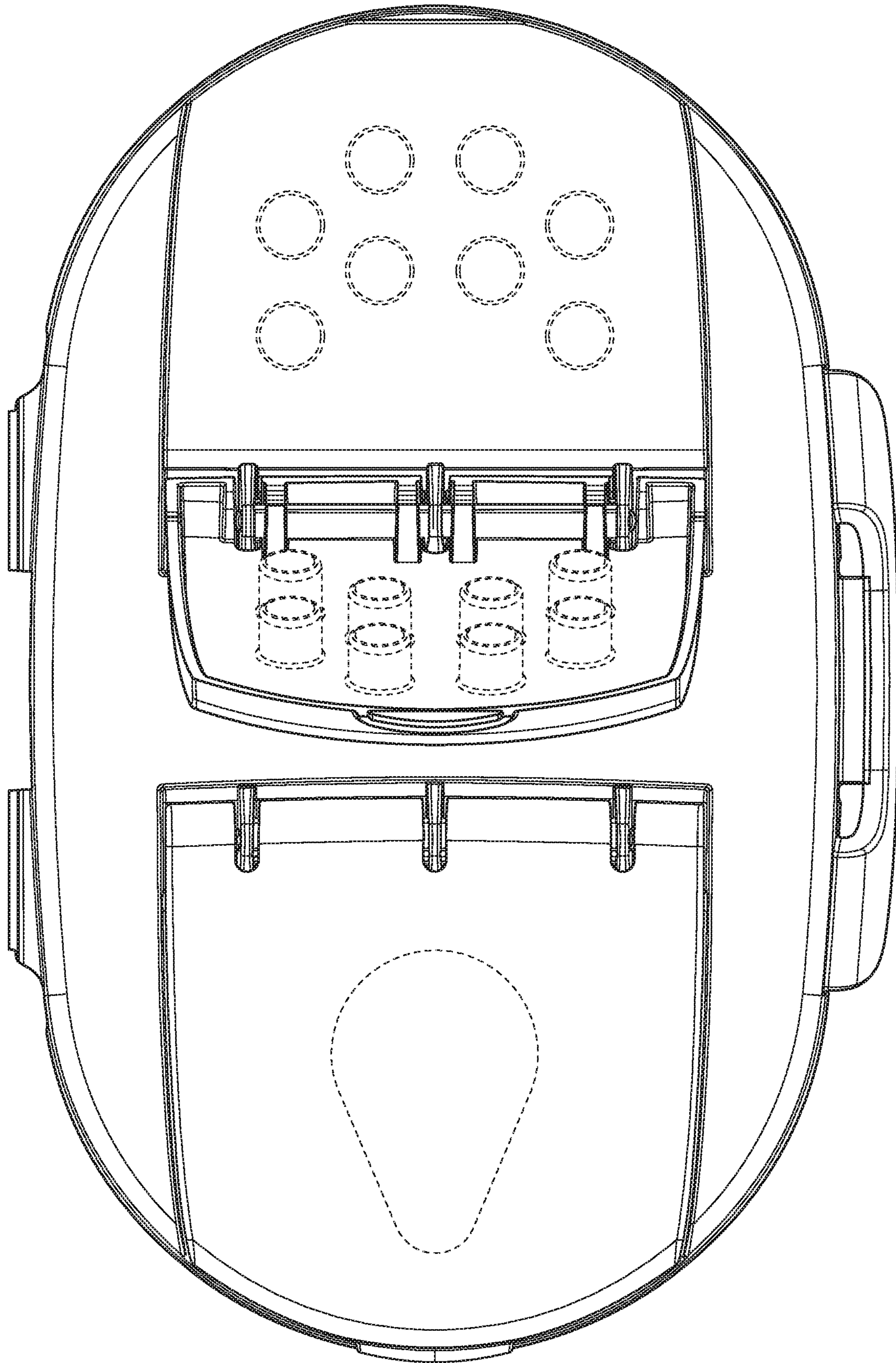


FIG. 27



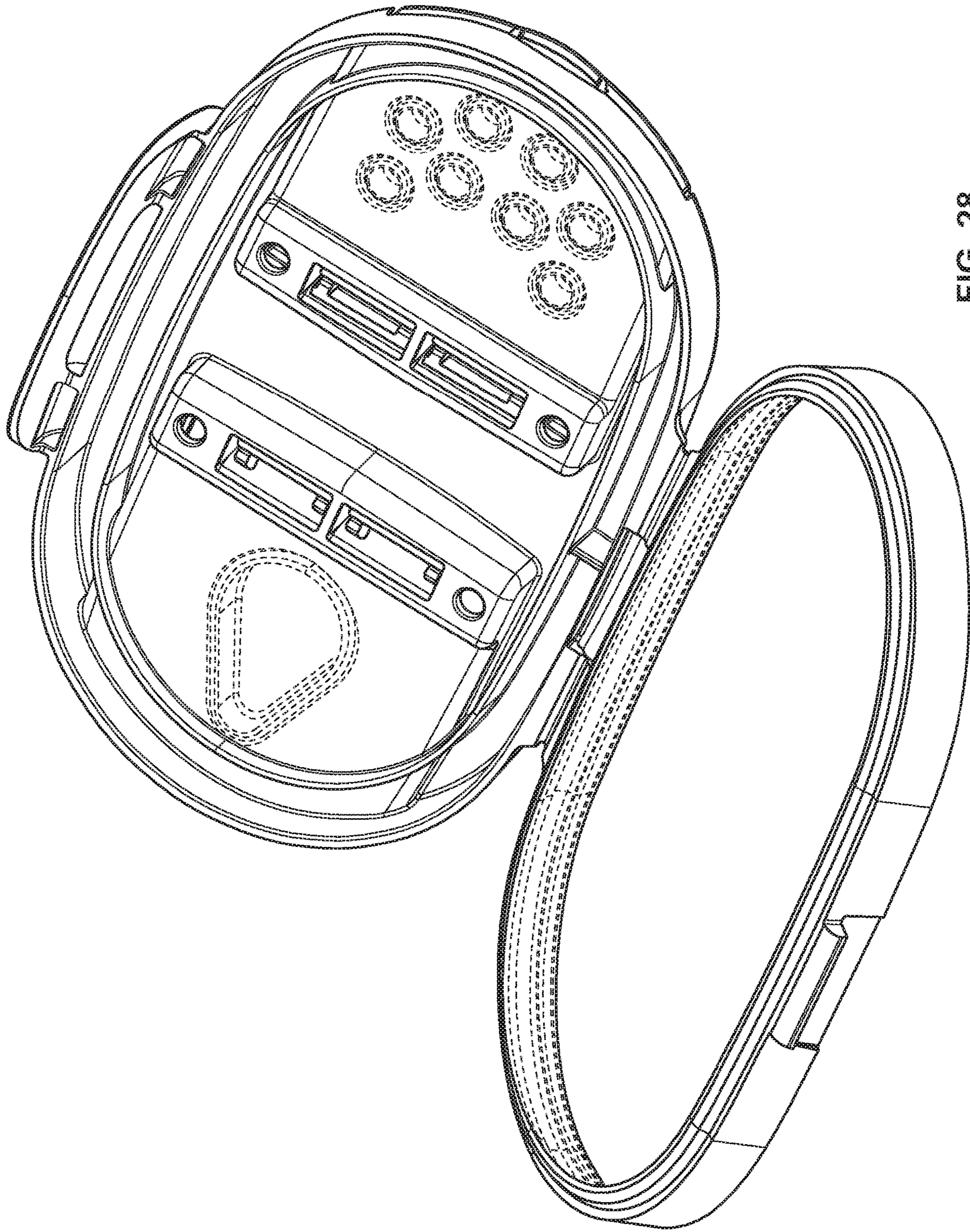


FIG. 28



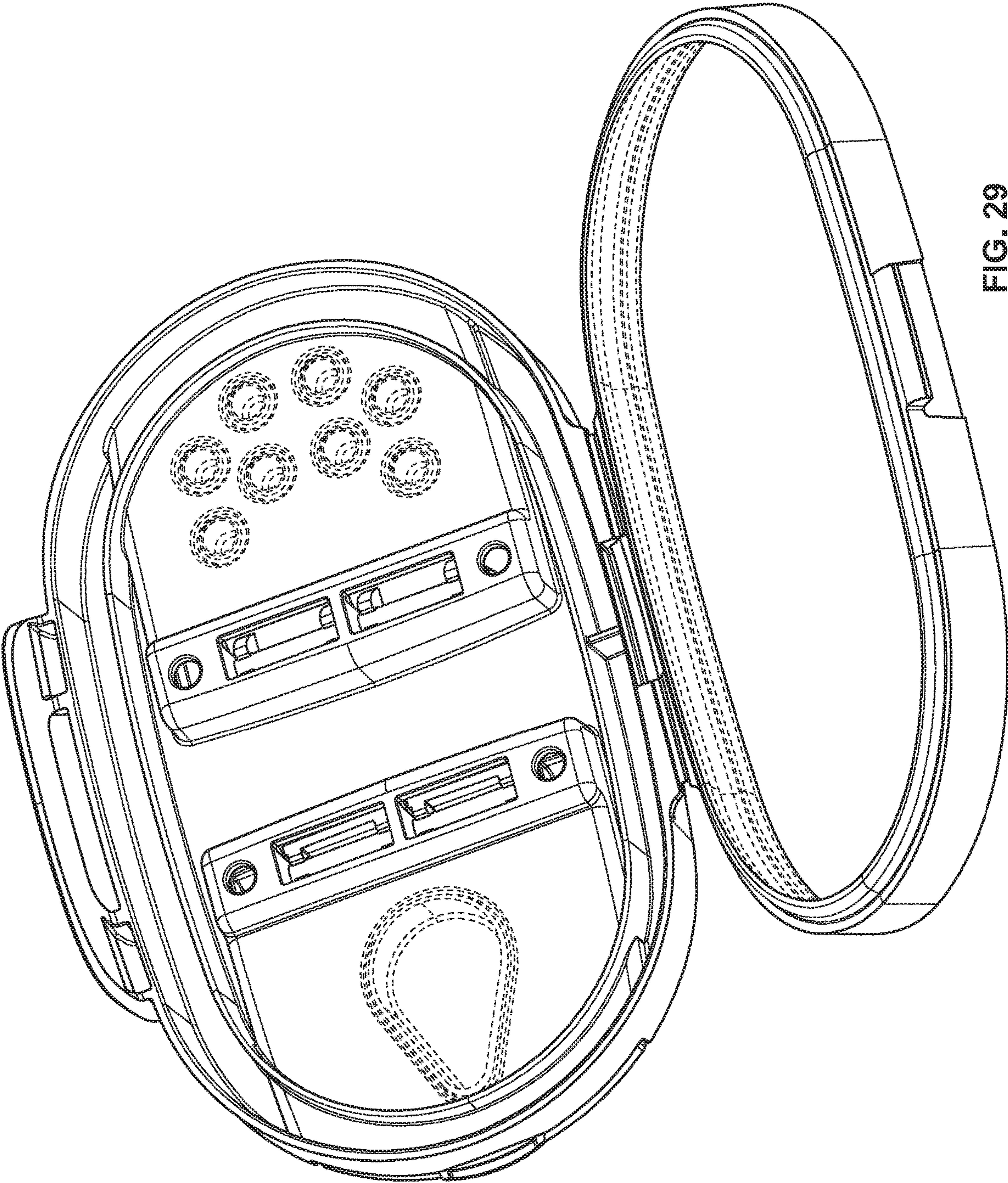


FIG. 29



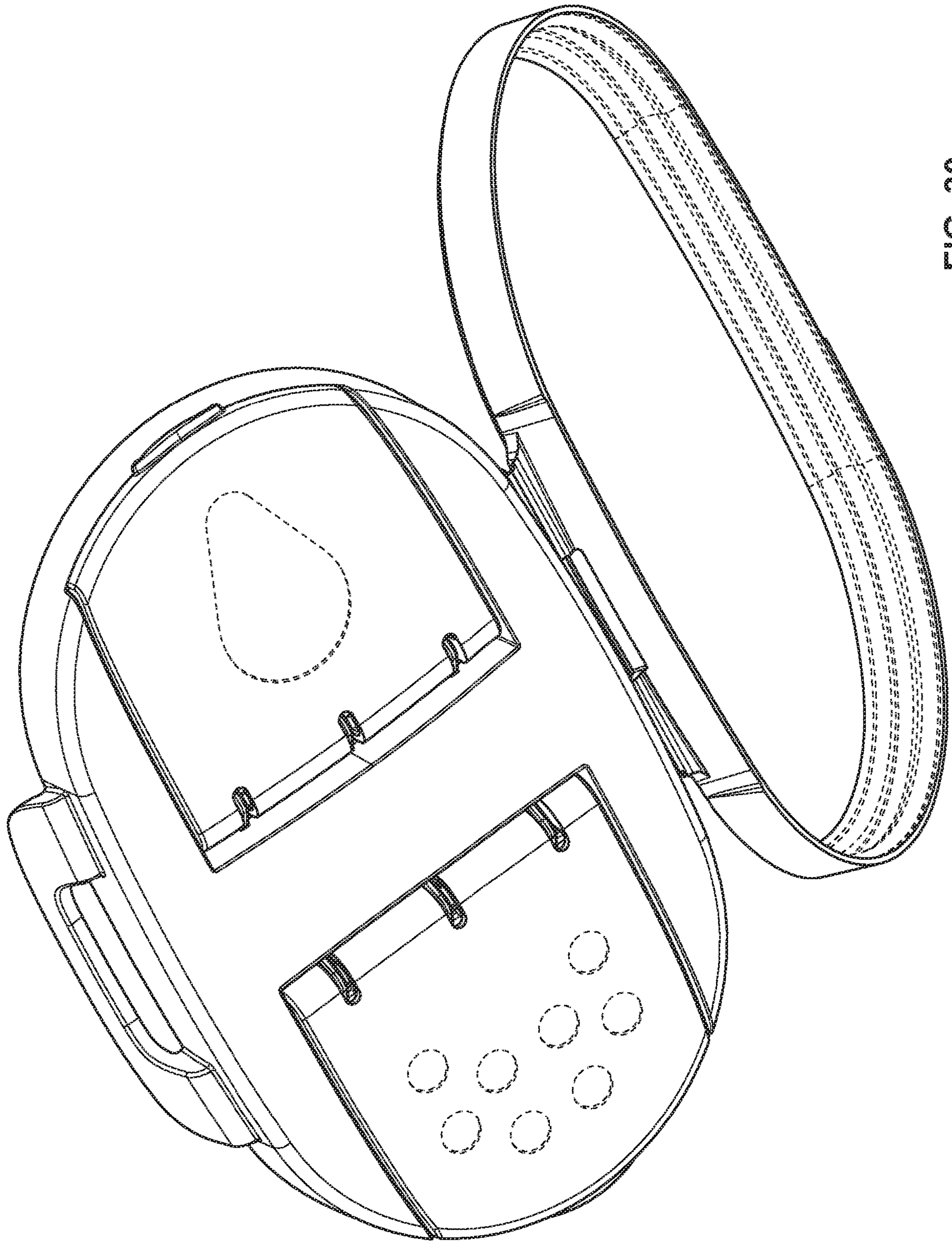


FIG. 30



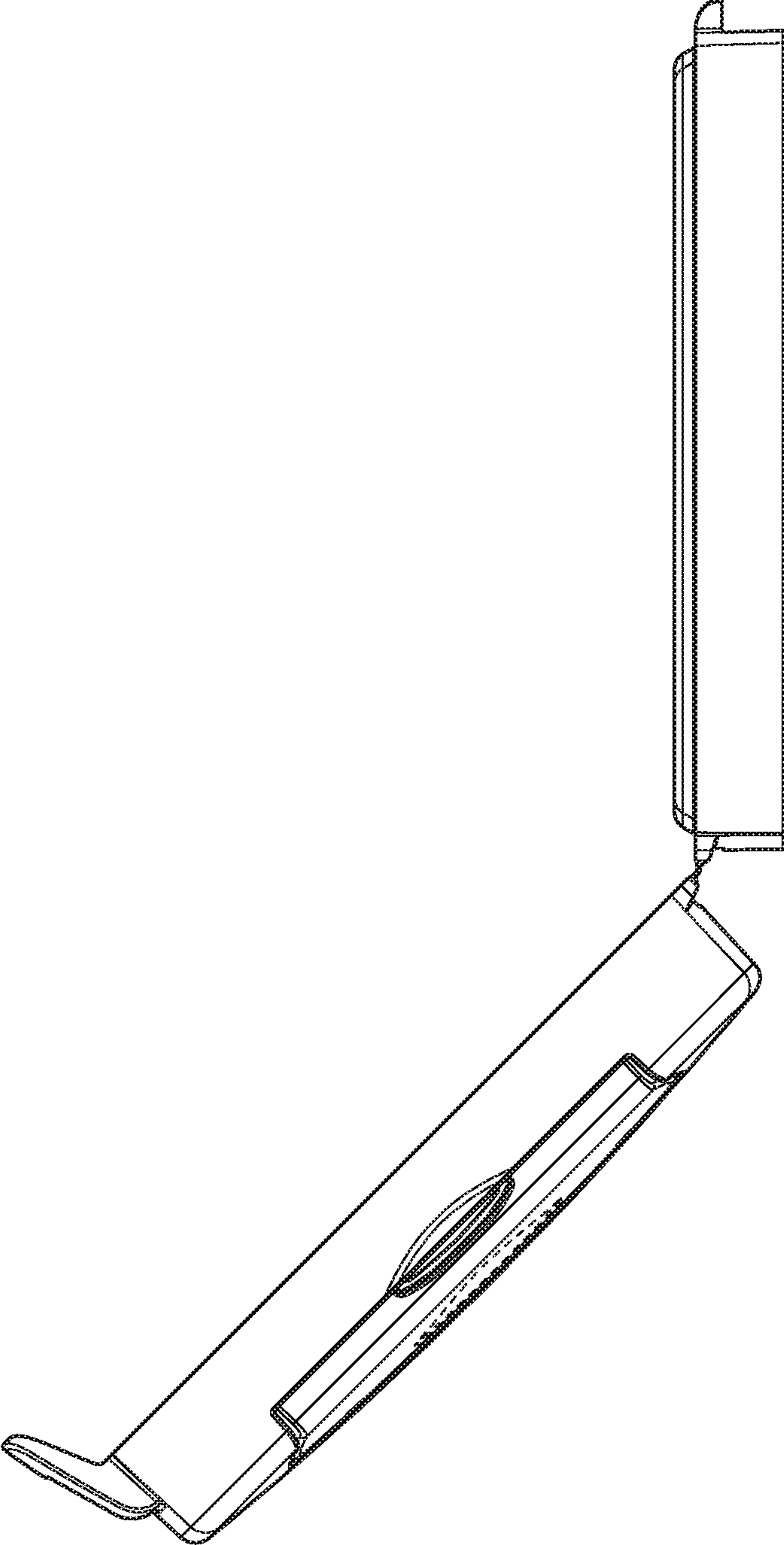


FIG. 31

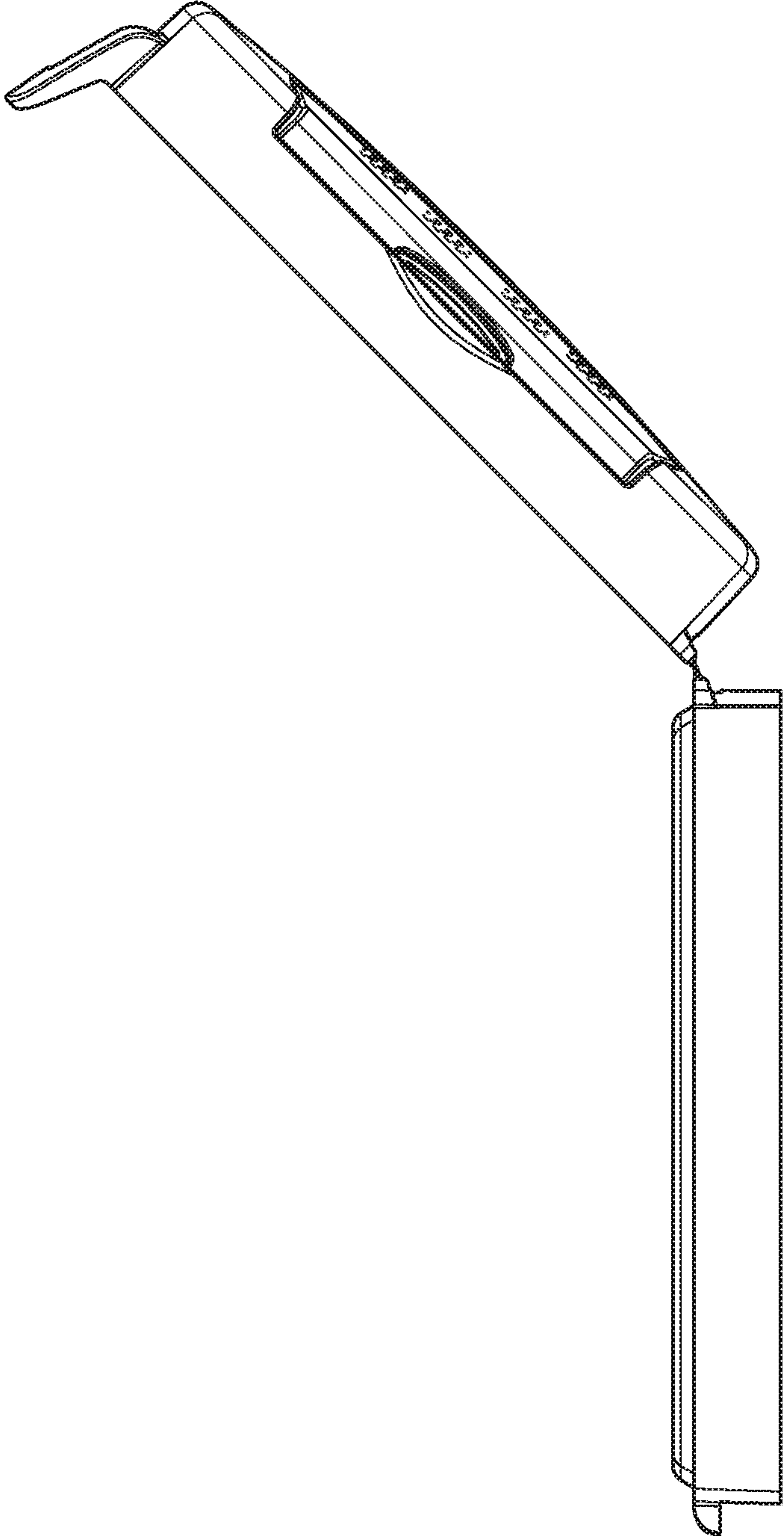


FIG. 32

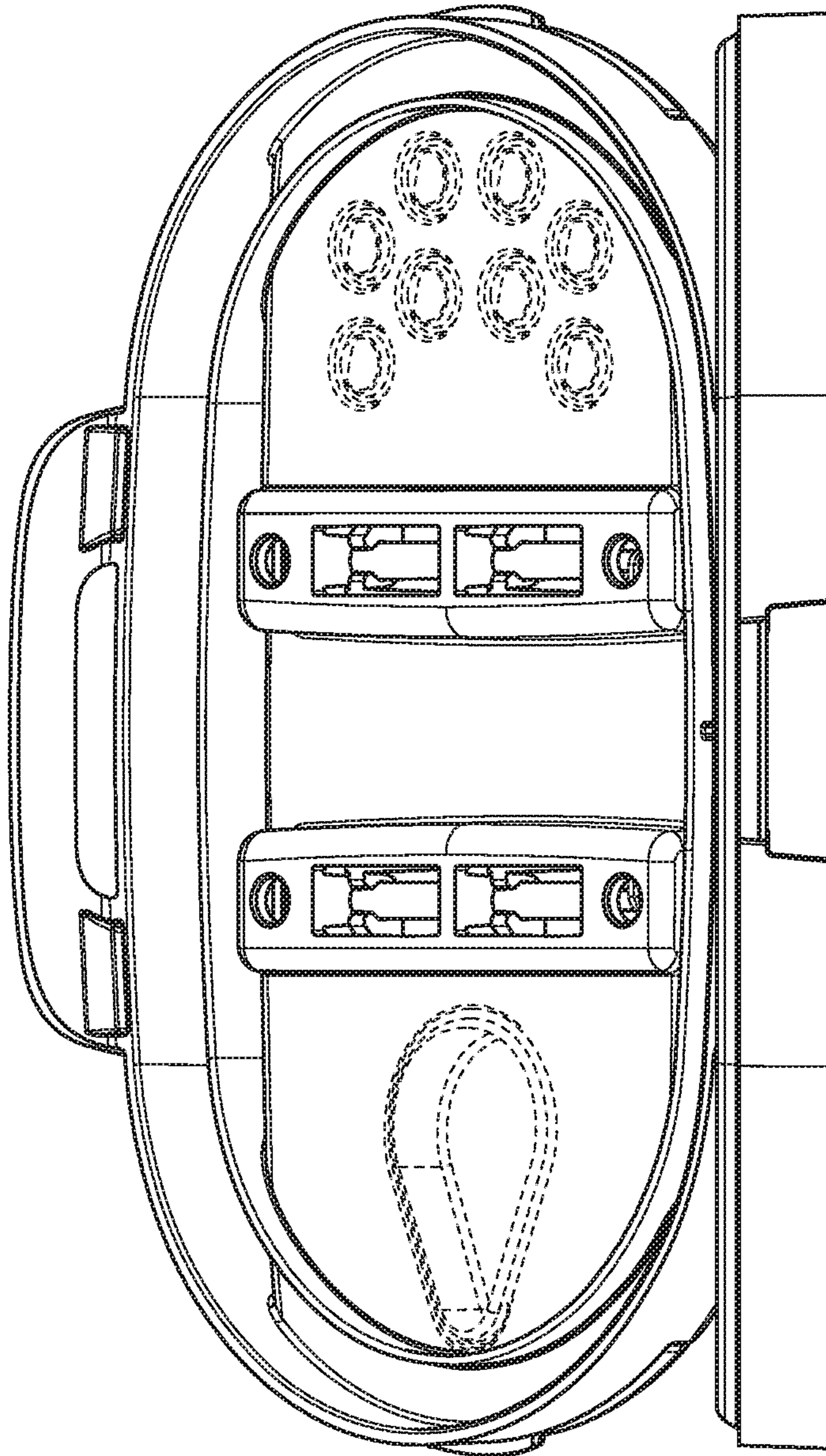


FIG. 33



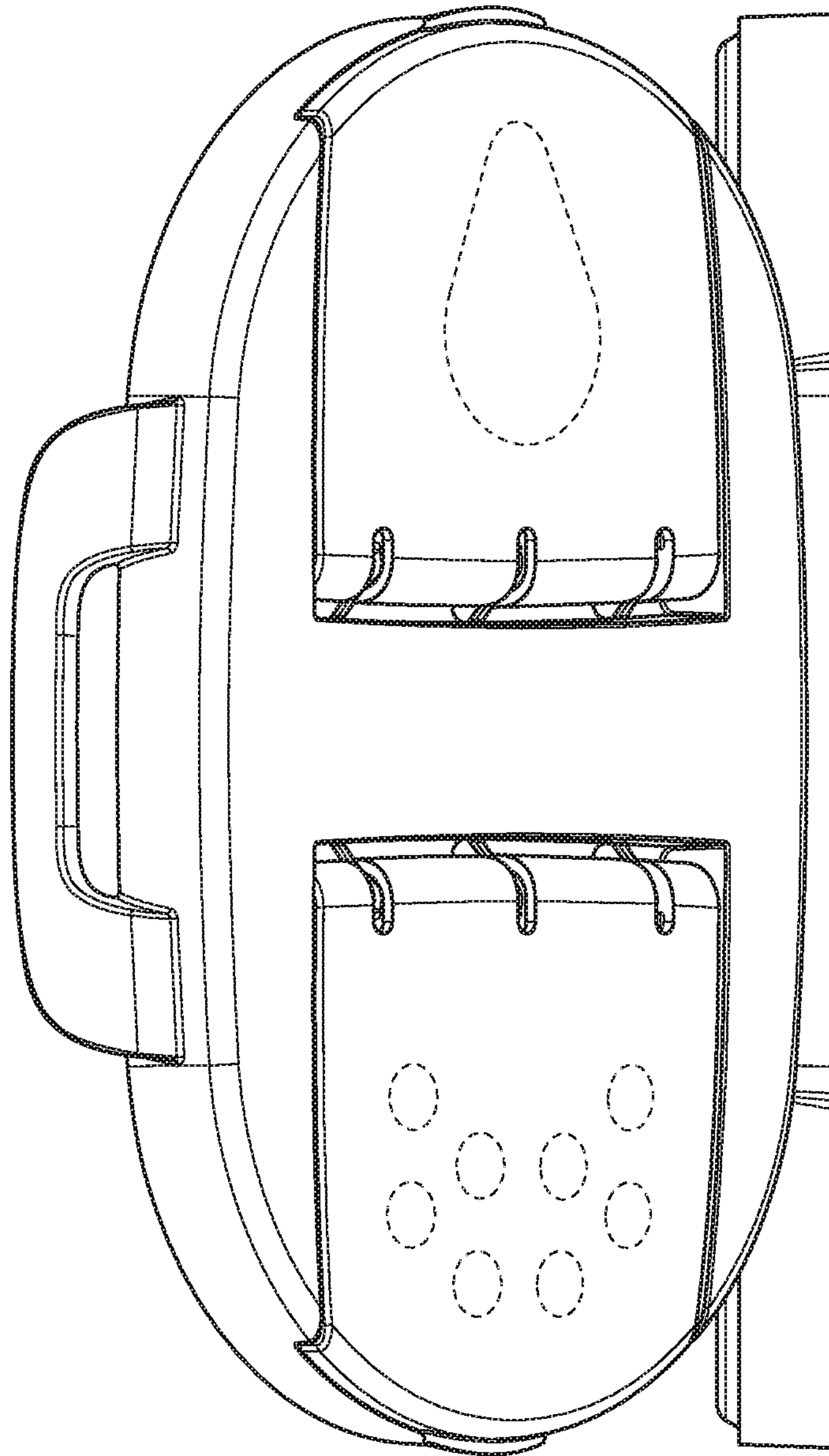


FIG. 34

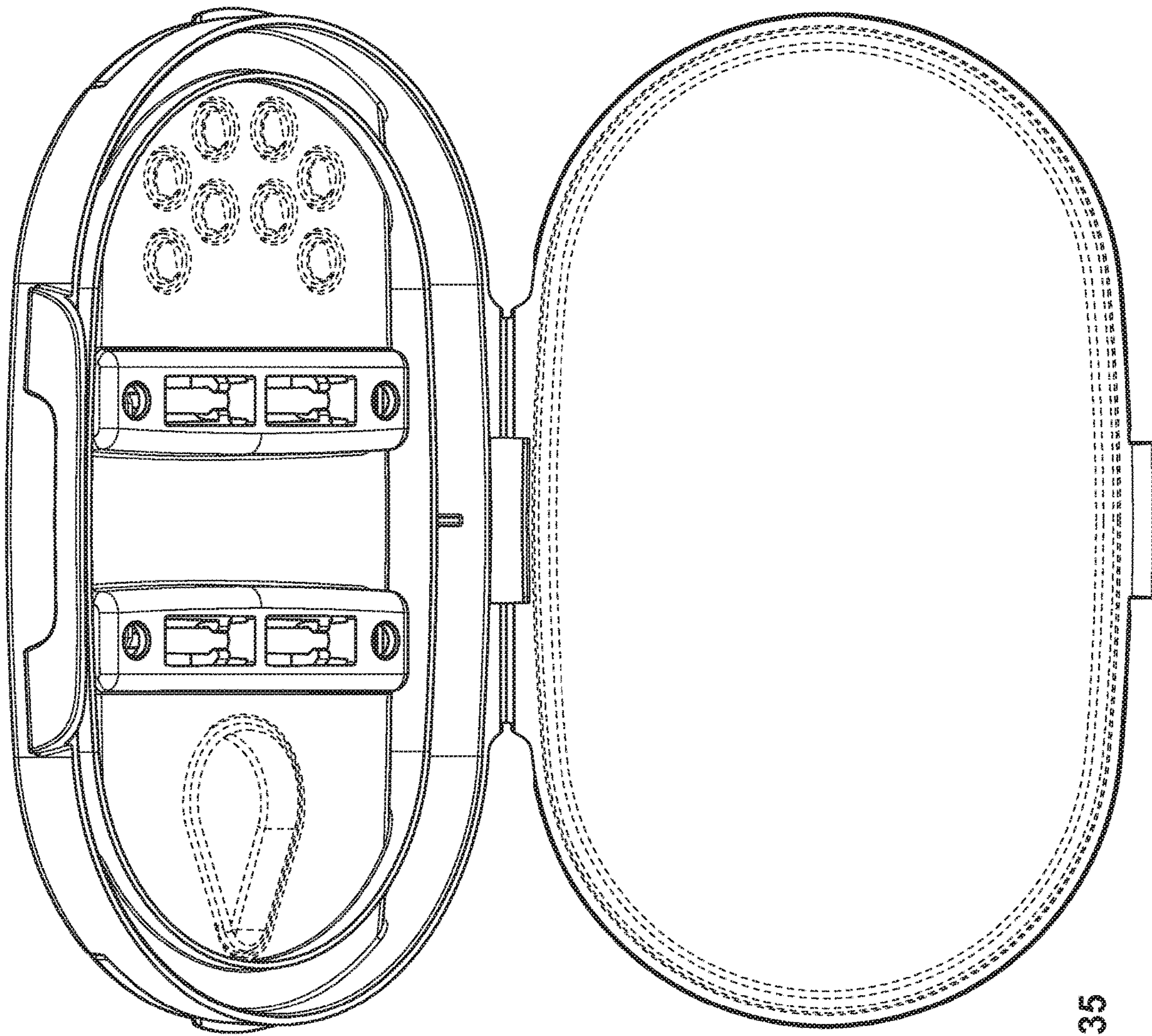


FIG. 35

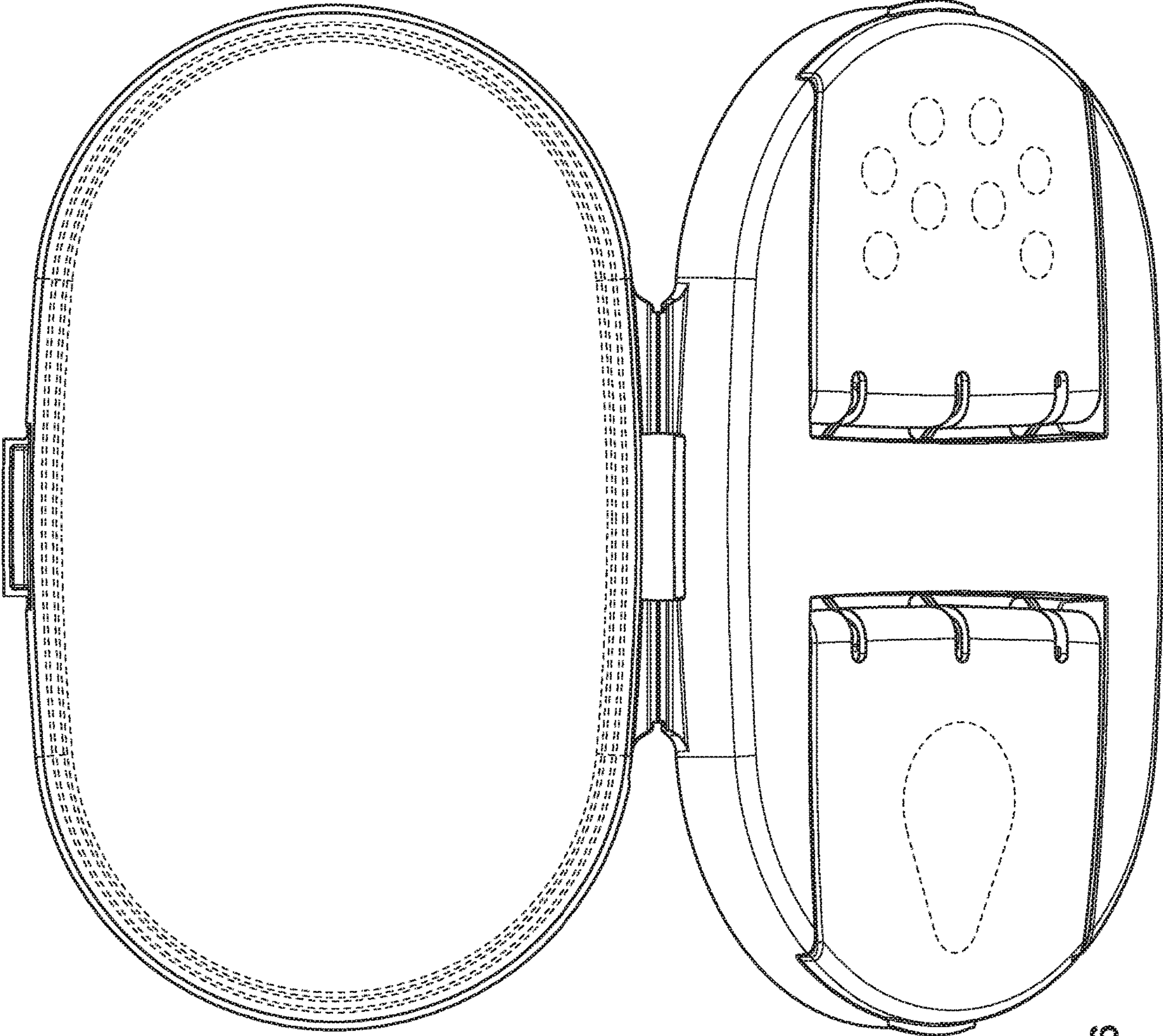


FIG. 36