



US00D881701S

(12) **United States Design Patent**  
**Friedman**

(10) **Patent No.:** **US D881,701 S**  
(45) **Date of Patent:** **\*\* Apr. 21, 2020**

- (54) **JAR LID**
- (71) Applicant: **Robert Friedman**, Irvine, CA (US)
- (72) Inventor: **Robert Friedman**, Irvine, CA (US)
- (73) Assignee: **Robert Friedman**, Irvine, CA (US)
- (\*\*) Term: **15 Years**
- (21) Appl. No.: **29/692,933**
- (22) Filed: **May 29, 2019**
- Related U.S. Application Data**
- (62) Division of application No. 29/585,890, filed on Nov. 29, 2016.
- (51) **LOC (12) Cl.** ..... **09-07**
- (52) **U.S. Cl.**  
USPC ..... **D9/443**
- (58) **Field of Classification Search**  
USPC ..... D9/414, 415, 424, 425, 434, 435, 436,  
D9/443, 444-452, 454-456, 499, 529,  
D9/682, 685, 686; D7/387, 391, 392,  
D7/392.1, 396.1, 396.2, 396.3, 396.4,  
D7/397, 398, 401.1, 507, 509-511, 538,  
D7/900; D3/202, 203.2; D28/91, 91.1  
CPC .. A61J 1/00; A61J 1/1412; B65D 1/00; B65D  
1/02; B65D 1/10; B65D 1/46; B65D  
2585/56; B65D 2585/545; B65D 41/00;  
B65D 41/38; B65D 41/56; B65D 41/62;  
B65D 47/00; B65D 47/06; B65D 47/08;  
B65D 2543/00046; B65D 2543/00092;  
B65D 2543/00296; B65D 5/46; B65D  
2251/00  
See application file for complete search history.

- (56) **References Cited**  
U.S. PATENT DOCUMENTS  
1,665,602 A \* 4/1928 Netherland ..... B65D 41/0442  
215/302  
3,567,058 A \* 3/1971 Mascia ..... B65D 50/061  
215/213

- D276,598 S \* 12/1984 Bagwell ..... D9/443
- 4,569,456 A \* 2/1986 Weiler ..... B65D 41/58  
215/251
- D351,793 S \* 10/1994 Stoller ..... D9/443
- D371,485 S \* 7/1996 Hickey ..... D7/391
- D387,552 S \* 12/1997 Hayman ..... D3/203.2
- 5,941,404 A \* 8/1999 Charrette ..... B65D 41/04  
215/305
- 6,253,942 B1 \* 7/2001 Elias ..... B65D 41/0485  
215/305
- D472,145 S \* 3/2003 Nottingham ..... D9/443
- D480,973 S \* 10/2003 Nottingham ..... D9/531
- D482,974 S \* 12/2003 Nottingham ..... D9/531
- D482,975 S \* 12/2003 Nottingham ..... D9/532
- D511,100 S \* 11/2005 Nottingham ..... D9/528
- D551,971 S \* 10/2007 Hardwick ..... D3/294
- D594,750 S \* 6/2009 Westphal ..... D9/443
- D616,748 S \* 6/2010 Nakamura ..... D9/443
- D621,705 S \* 8/2010 Breckan ..... D9/443

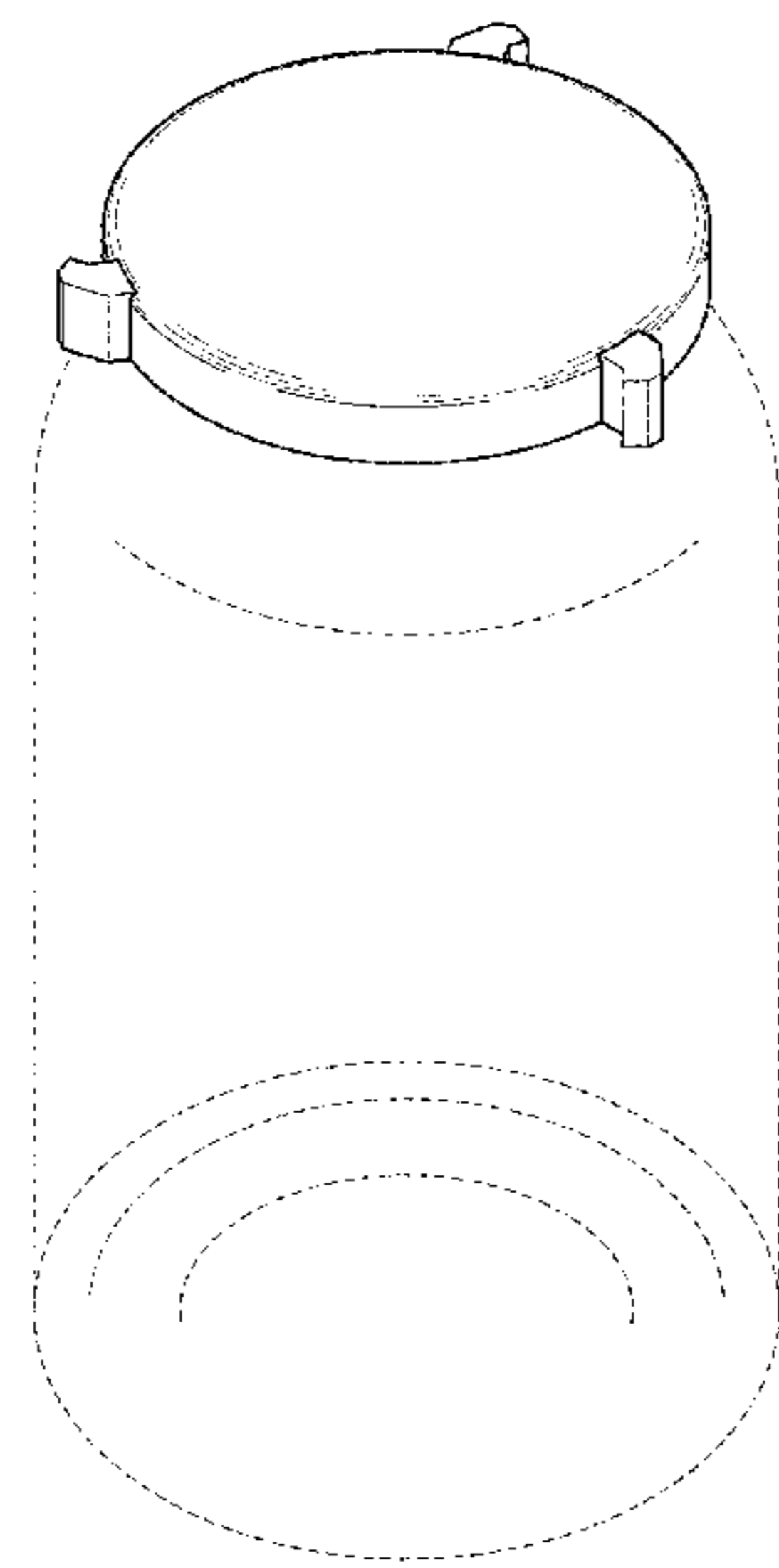
(Continued)

*Primary Examiner* — Michael A. Pratt  
*Assistant Examiner* — Wendy L Arminio  
(74) *Attorney, Agent, or Firm* — Fish IP Law, LLP

(57) **CLAIM**  
The ornamental design for a jar lid, as shown and described.

**DESCRIPTION**  
FIG. 1 is a perspective view of a jar lid, shown in a position of use on a jar drawn in broken lines.  
FIG. 2 is a top view of the jar lid of FIG. 1, shown removed from the jar.  
FIG. 3 is a side view thereof; and,  
FIG. 4 is a front view thereof.  
The broken lines depict environment and form no part of the claimed design.

**1 Claim, 1 Drawing Sheet**



(56)

**References Cited**

U.S. PATENT DOCUMENTS

D621,706 S *	8/2010	Breckan .....	D9/443
D621,707 S *	8/2010	Breckan .....	D9/443
D623,533 S *	9/2010	Nakamura .....	D9/443
D695,511 S *	12/2013	Sharpe .....	D3/203.2
D715,147 S *	10/2014	Ginzburg .....	D9/449
D727,726 S *	4/2015	Friedman .....	D9/443
D739,204 S *	9/2015	Arthurs .....	D8/307
D741,712 S *	10/2015	Mohr .....	D9/448
D751,384 S *	3/2016	Torrison .....	D9/416
D756,774 S *	5/2016	McWilliams .....	D9/443
D777,342 S *	1/2017	Piramoone .....	D24/224
D779,324 S *	2/2017	Martini .....	D9/443
D784,132 S *	4/2017	Johnson .....	D9/434
9,650,179 B2 *	5/2017	Sheikh .....	B65D 33/16
D829,098 S *	9/2018	Gallagher .....	D9/443

\* cited by examiner

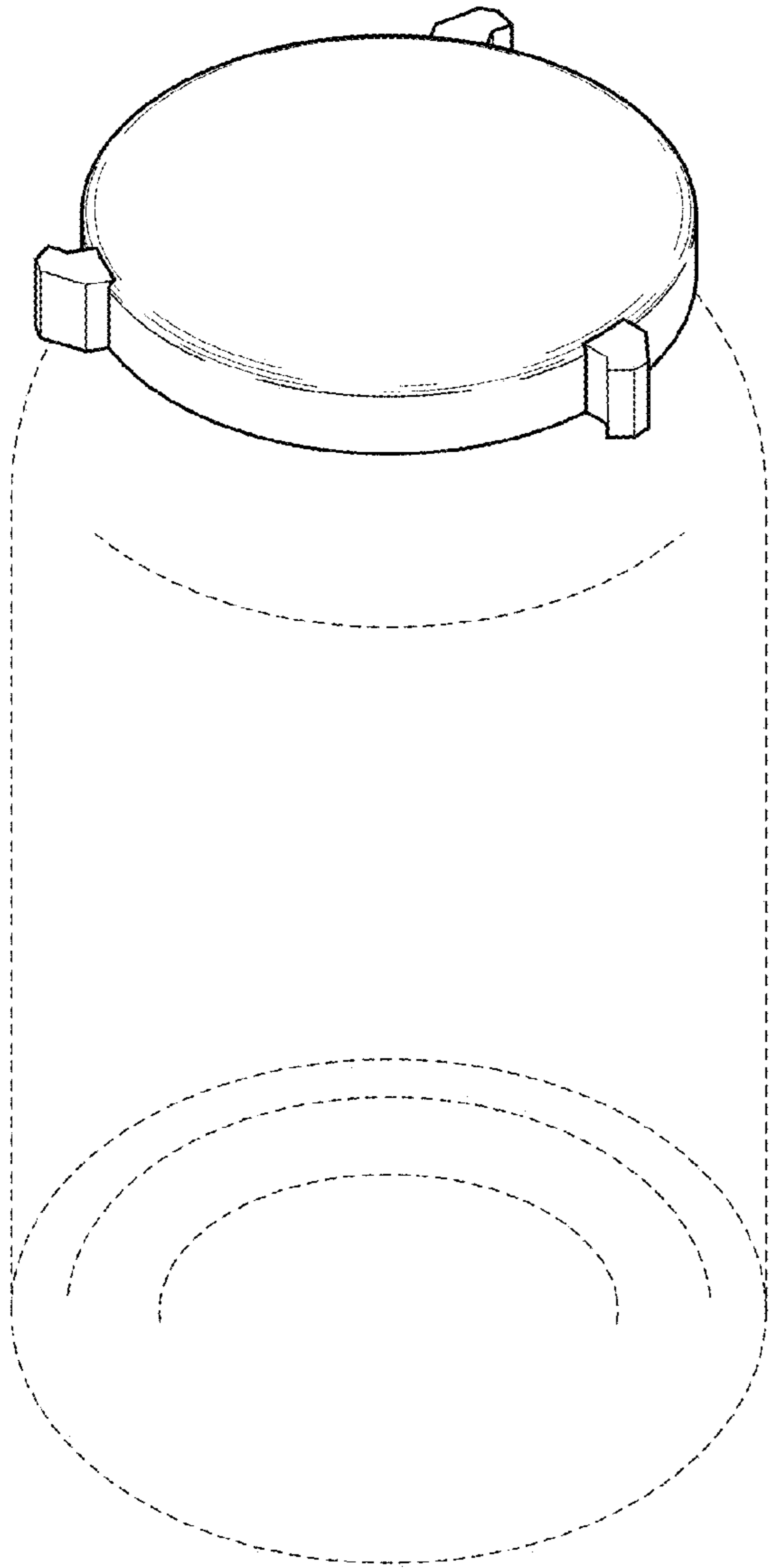


FIG. 1

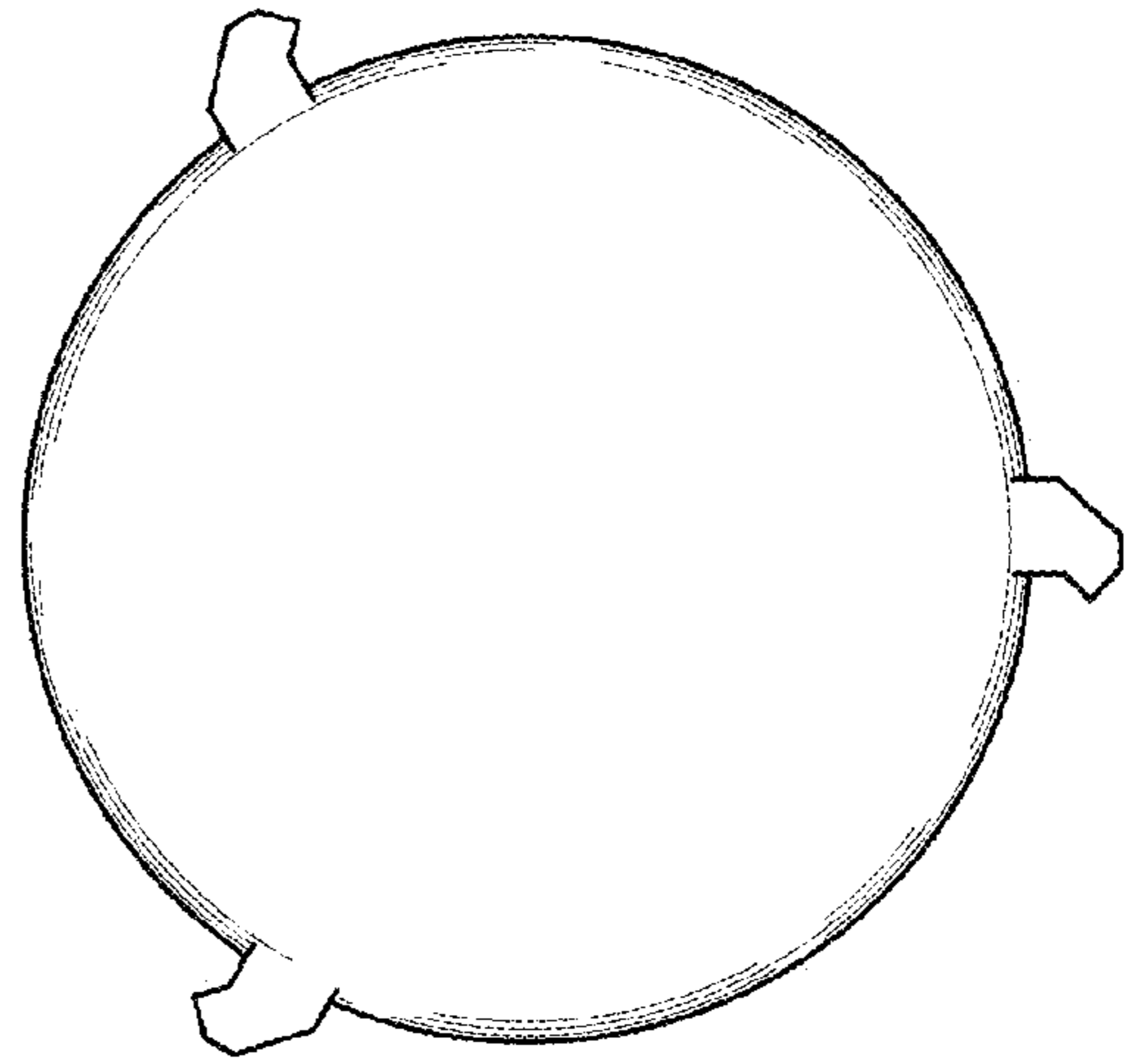


FIG. 2

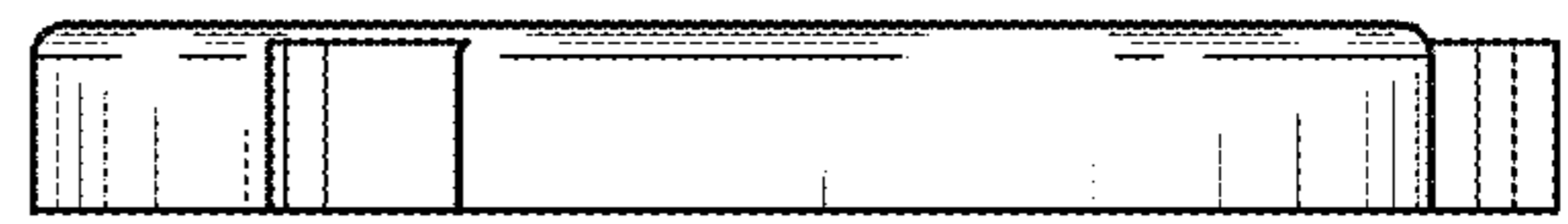


FIG. 3

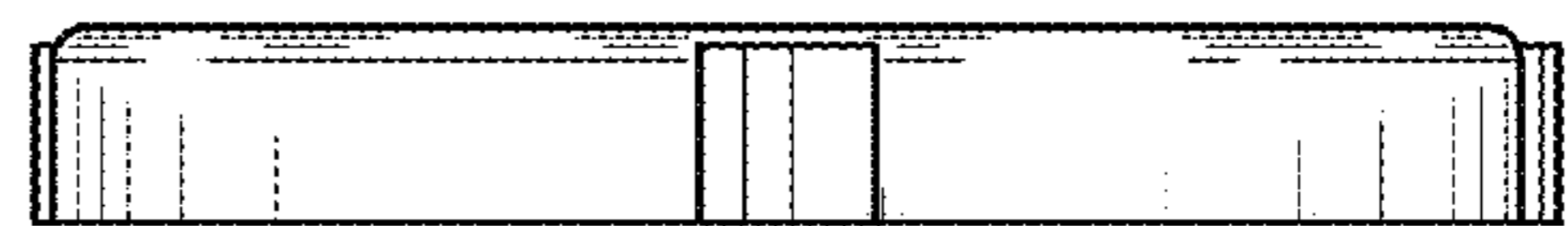


FIG. 4