



US00D881699S

(12) **United States Design Patent** (10) **Patent No.:** **US D881,699 S**
Bradbury et al. (45) **Date of Patent:** **** Apr. 21, 2020**

(54) **CONNECTOR FOR CONTAINERS**
(71) Applicant: **BUSCH SYSTEMS INTERNATIONAL INC.**, Barrie (CA)
(72) Inventors: **William Richard Bradbury**, Barrie (CA); **Christian Edward Bodyk**, Angus (CA)
(73) Assignee: **BUSCH SYSTEMS INTERNATIONAL INC.**, Barrie (CA)

(**) Term: **15 Years**
(21) Appl. No.: **29/627,126**
(22) Filed: **Nov. 22, 2017**

(30) **Foreign Application Priority Data**
Jun. 2, 2017 (CA) 175205
(51) **LOC (12) Cl.** **09-07**
(52) **U.S. Cl.**
USPC **D9/436; D9/434**
(58) **Field of Classification Search**
USPC D7/300, 317, 392.1, 396.2; D9/709, D9/434-436, 447, 499; D23/227; D8/354; D25/124
CPC .. B65F 1/0033; B65F 1/14; B65F 2001/0086; B65F 2220/108
See application file for complete search history.

(56) **References Cited**
U.S. PATENT DOCUMENTS
D241,612 S * 9/1976 Matousek D8/354
D270,034 S * 8/1983 Shepard D8/381
D298,604 S * 11/1988 Newton D15/89

D404,285 S * 1/1999 Skudelny D8/354
D609,553 S * 2/2010 Koizumi D8/354
D709,366 S * 7/2014 Fleming D9/435
D711,226 S * 8/2014 Fleming D9/435
D730,090 S * 5/2015 Christal D6/675.3
D732,956 S * 6/2015 Brown D9/447
D797,556 S * 9/2017 Brown D9/447
D829,044 S * 9/2018 Slown D7/392.1

OTHER PUBLICATIONS

Amazon. Ziploc Easy Zipper Storage Bags, Gallon Size, 15-pack. No date specified. <https://www.amazon.com/Ziploc-Zipper-Storage-Gallon-15-pack/dp/B0000DIWPQ> (Year: 0).*
PR Web. Busch Systems Promotes Recycling Initiatives through Waste Watcher Signage Promotion. Mar. 24, 2011. <https://www.prweb.com/releases/2011/3/prweb8227117.htm> (Year: 2011).*

* cited by examiner

Primary Examiner — Darcey E Gottschalk
(74) *Attorney, Agent, or Firm* — Innovation Capital Law Group, LLP; Vic Lin

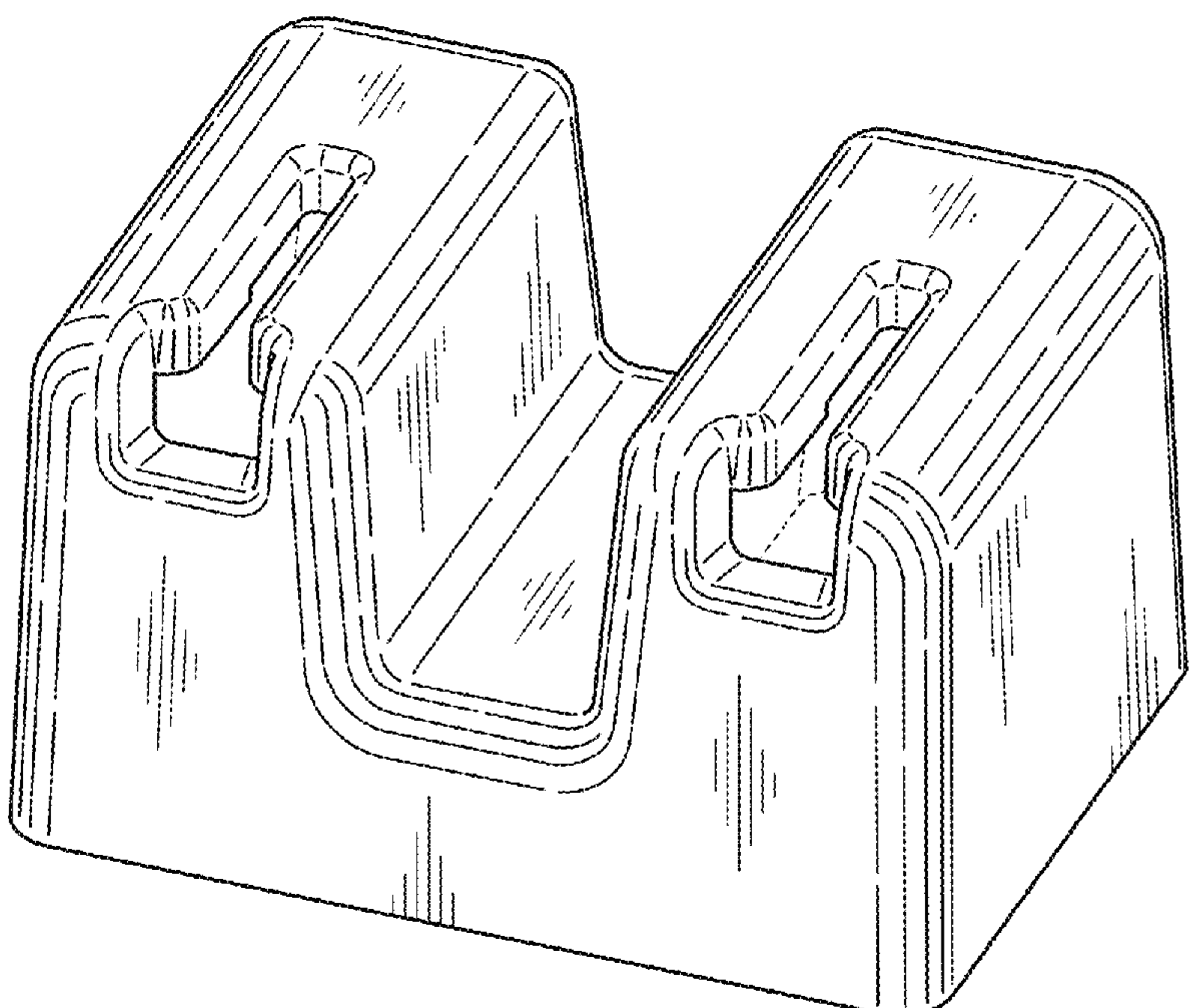
(57) **CLAIM**

The ornamental design for a connector for containers, as shown and described.

DESCRIPTION

FIG. 1 is a perspective view of a connector for containers; FIG. 2 is a front view thereof; FIG. 3 is a rear view thereof; FIG. 4 is a right side view thereof; FIG. 5 is a left side view thereof; FIG. 6 is a top view thereof; and, FIG. 7 is a bottom view thereof.
In the drawings, the broken lines show portions of a connector for containers that form no part of the claim.

1 Claim, 4 Drawing Sheets



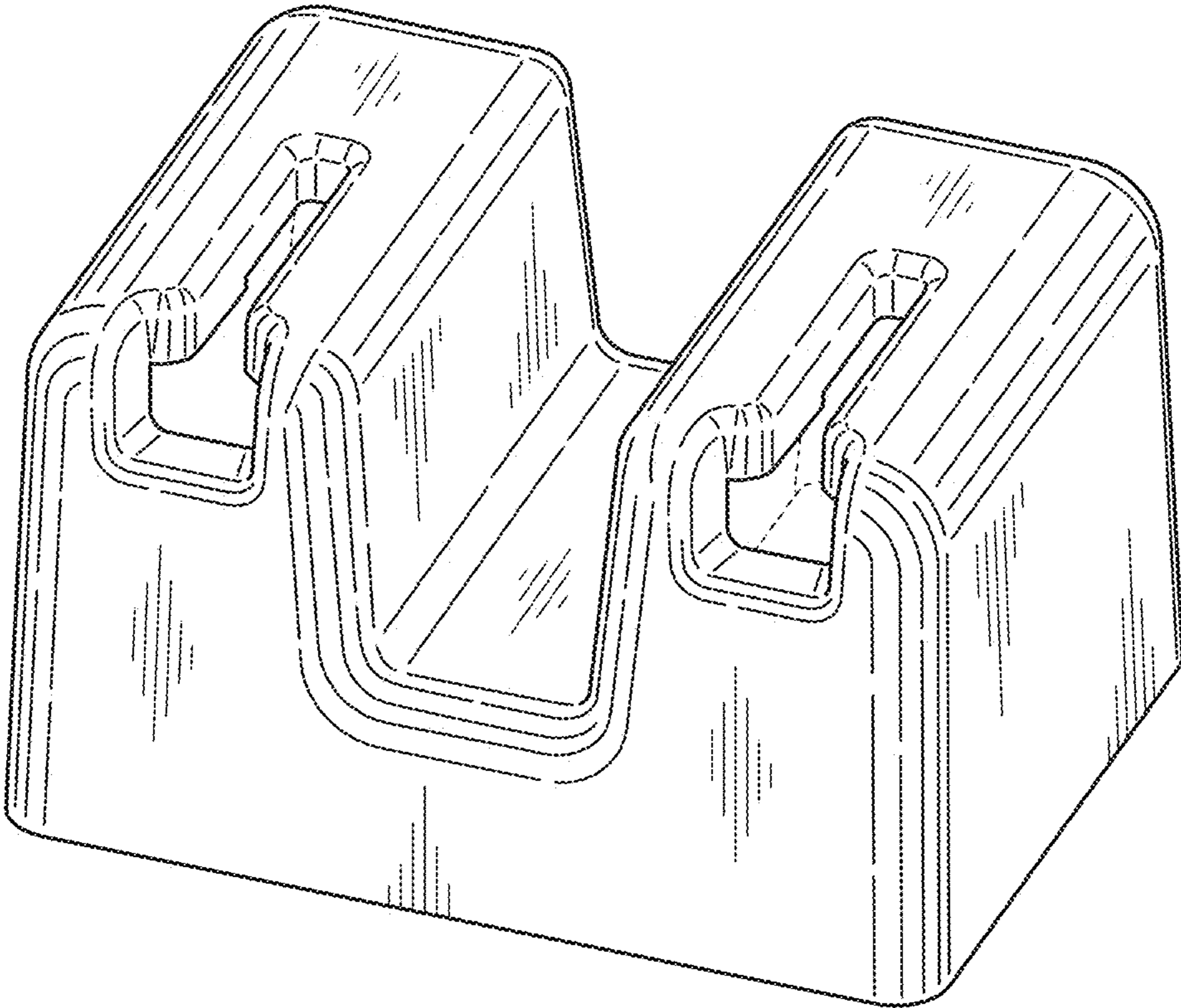


FIG. 1

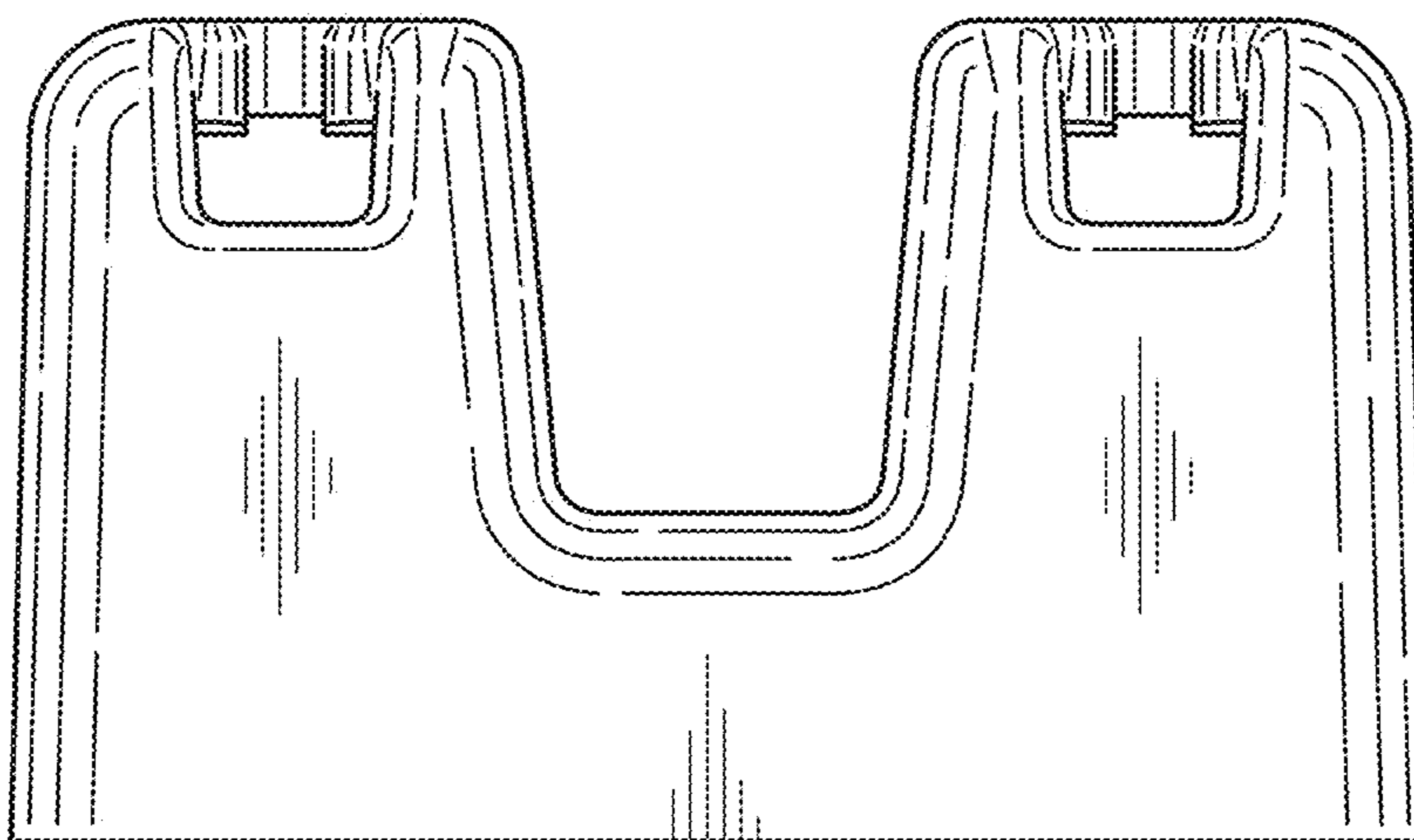


FIG. 2

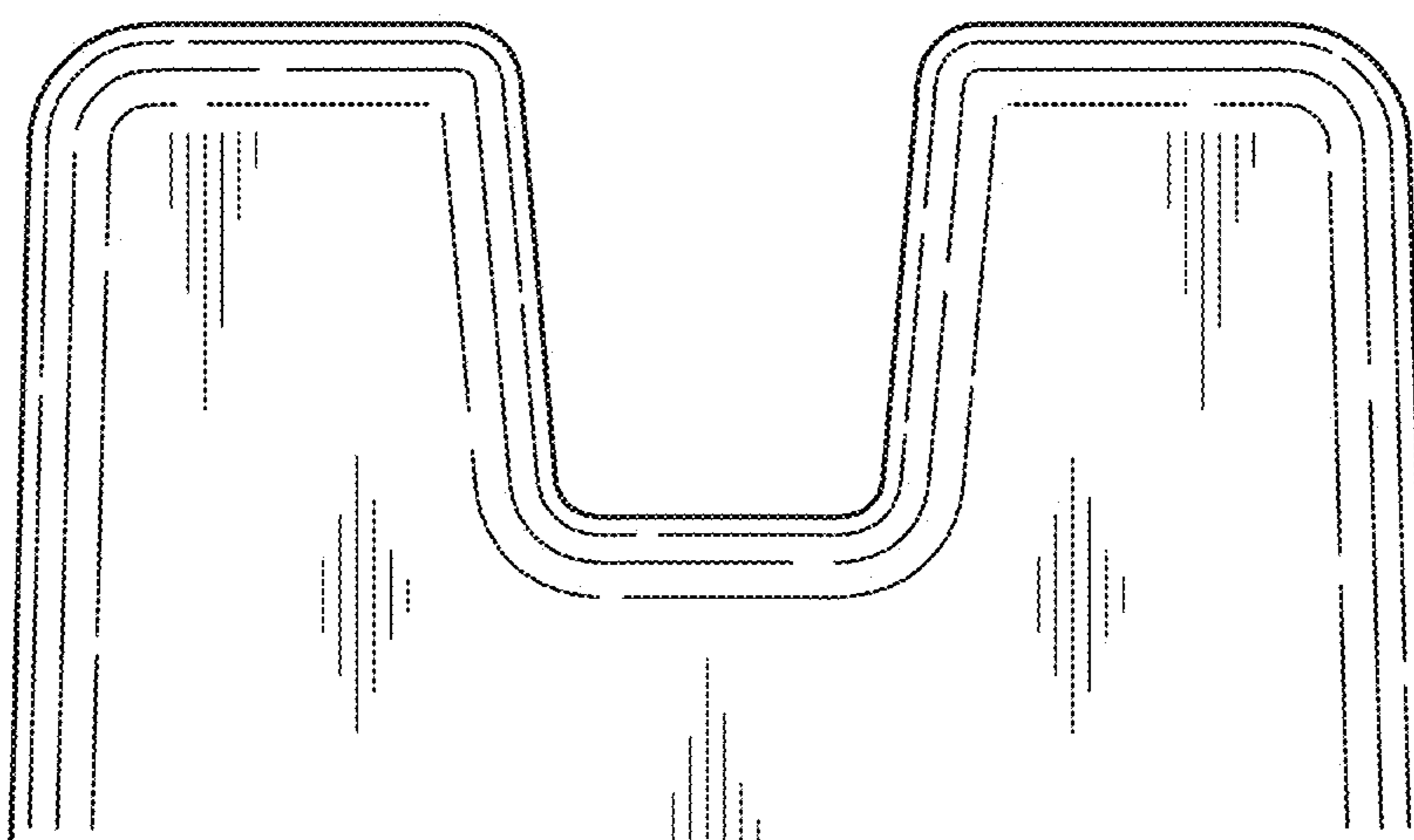


FIG. 3

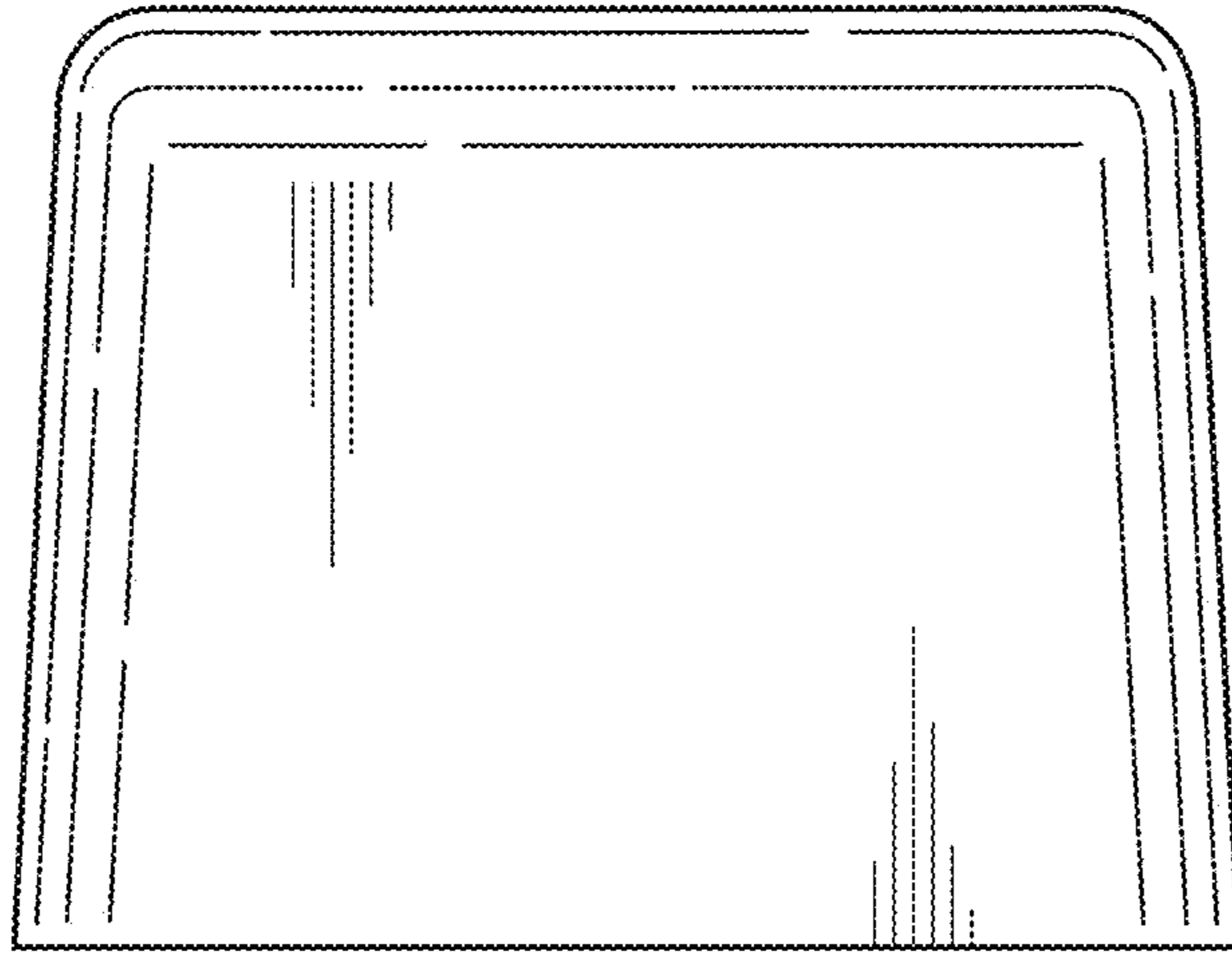


FIG. 4

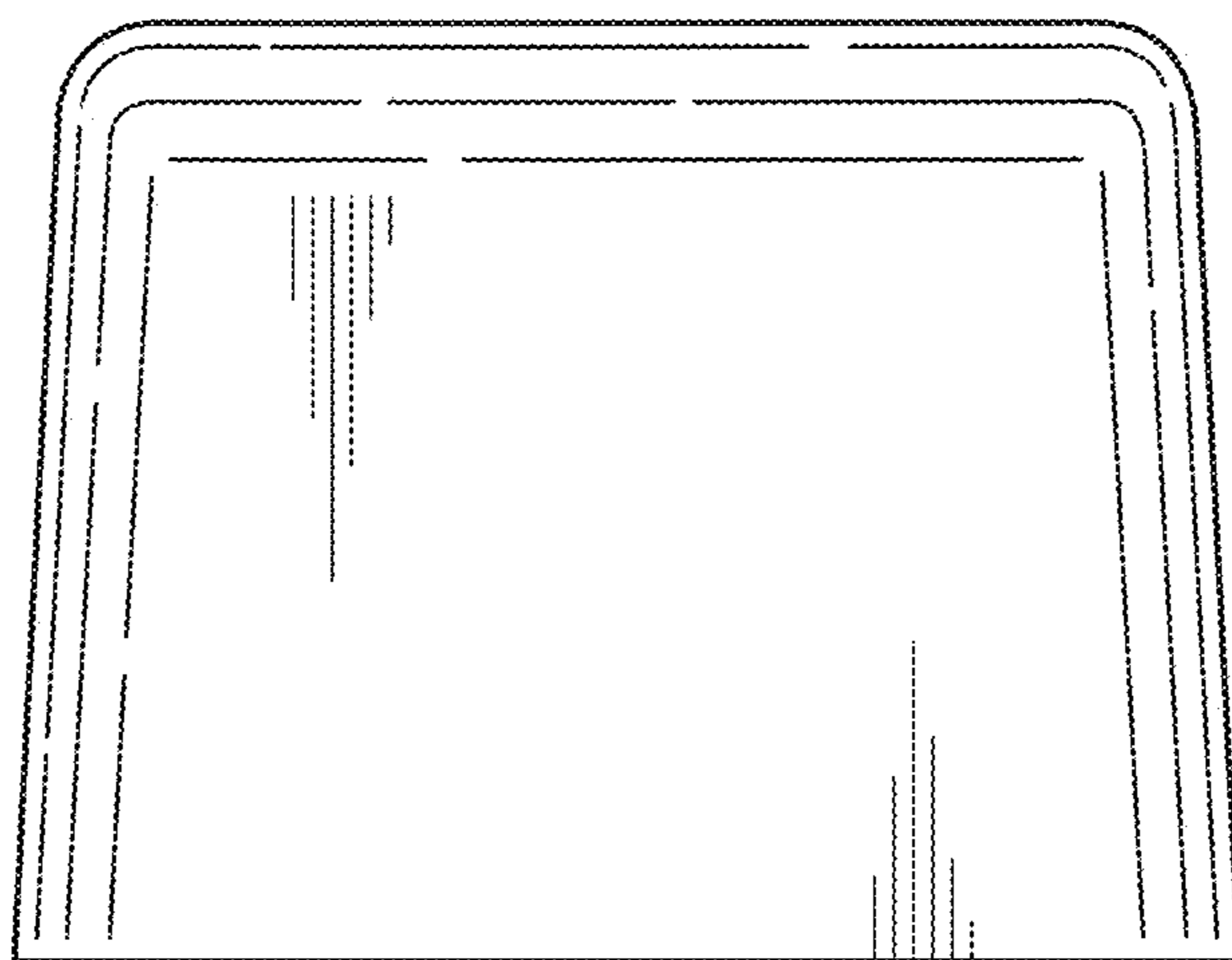


FIG. 5

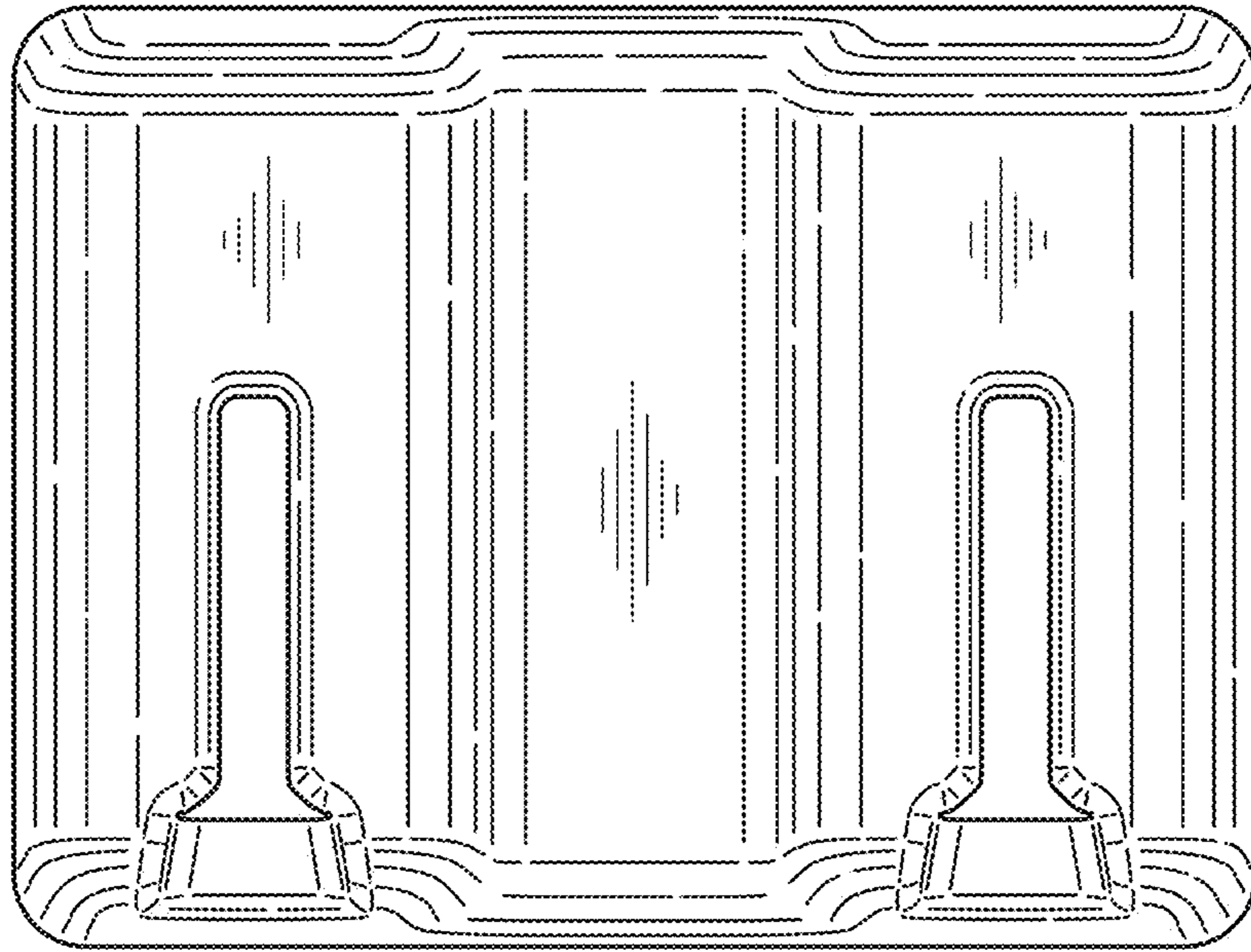


FIG. 6

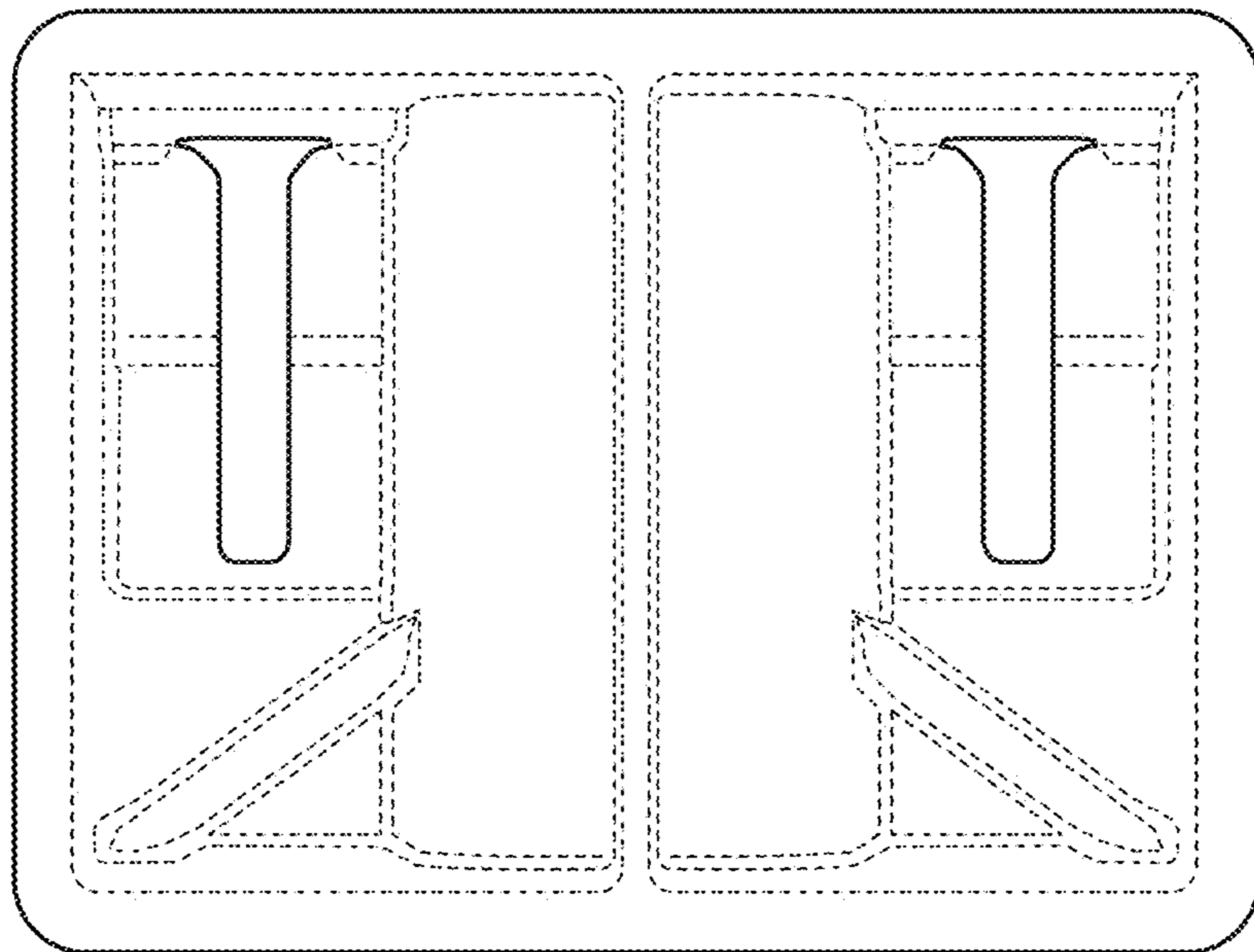


FIG. 7